

# STOKKE® SLEEPI™

## MINI, EXTENSION BED, BED, EXTENSION JUNIOR

### USER GUIDE

**AE** دليل المستخدم

**BG** РЪКОВОДСТВО ЗА ПОТРЕБИТЕЛЯ

**CN SIMPL** 用户指南

**CN TRAD** 用户指南

**CZ** NÁVOD K POUŽITÍ

**DE** GEBRAUCHSANWEISUNG

**DK** BRUGSANVISNING

**ES** INSTRUCCIONES DE USO

**FI** KÄYTTÖOHJE

**FR** NOTICE D'UTILISATION

**GR** ΟΔΗΓΟΣ ΧΡΗΣΗΣ

**HR** PRIRUČNIK ZA UPORABU

**HU** KEZELÉSI ÚTMUTATÓ

**IT** GUIDA UTENTI

**JP** ユーザーガイド

**KR** 사용설명서

**NL** GEBRUIKSAANWIJZING

**NO** BRUKSANVISNING

**PL** INSTRUKCJA UŻYTKOWANIA

**PT** MANUAL DE INSTRUÇÕES

**RO** GHIDUL UTILIZATORULUI

**RS** UPUTSTVO ZA UPOTREBU

**RU** ИНСТРУКЦИЯ

**SE** BRUKSANVISNING

**SI** NAVODILA ZA UPORABO

**SK** POUŽÍVATEĽSKÁ PRÍRUČKA

**TR** KULLANICI KILAVUZU

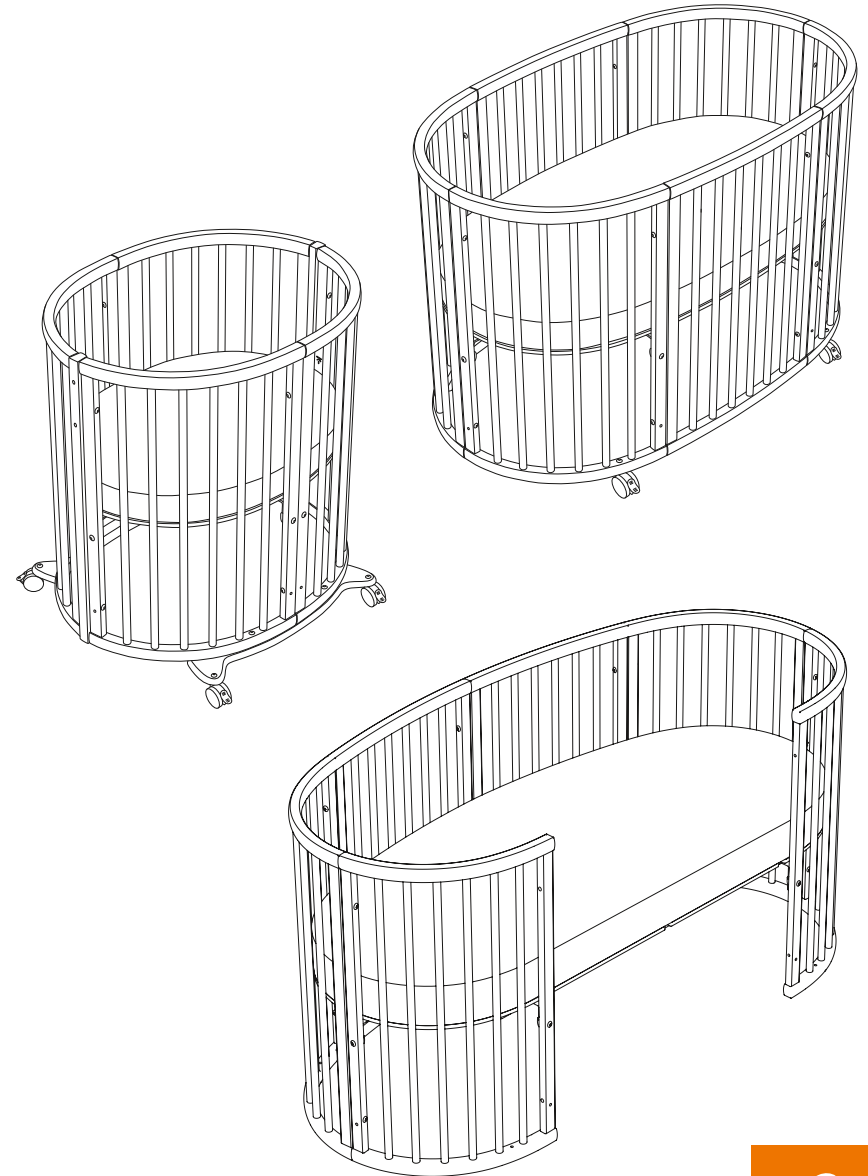
**UA** ІНСТРУКЦІЯ

**US** USER GUIDE

INSTRUCCIONES DE USO

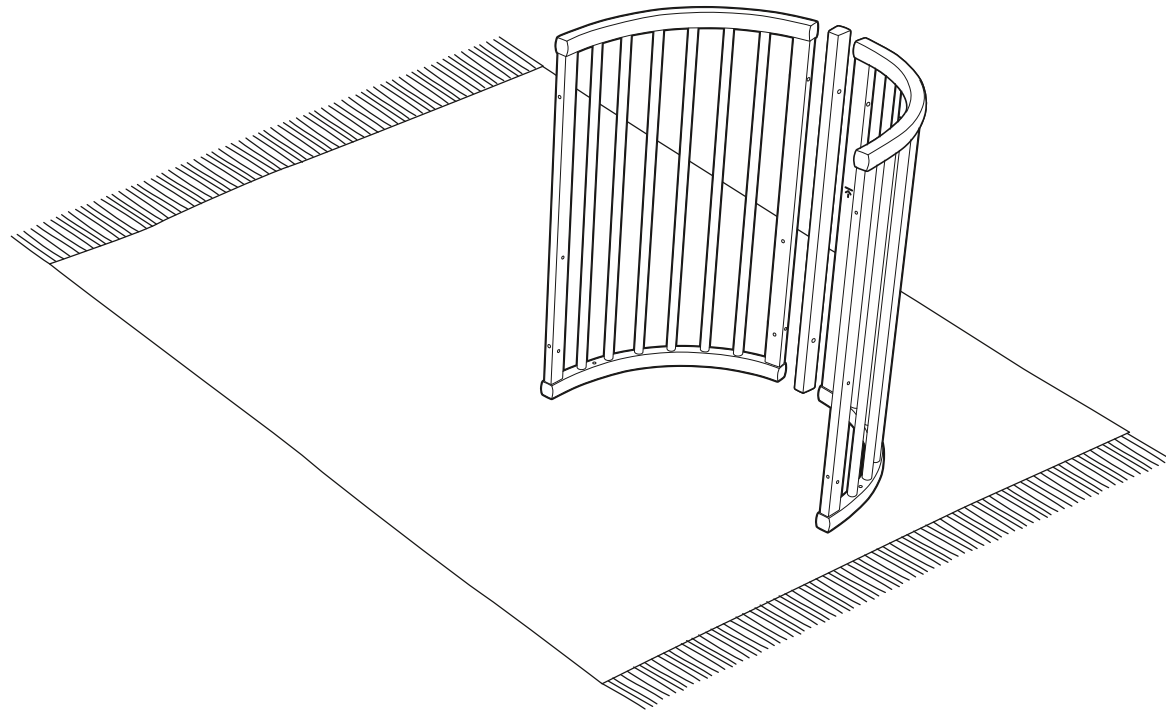
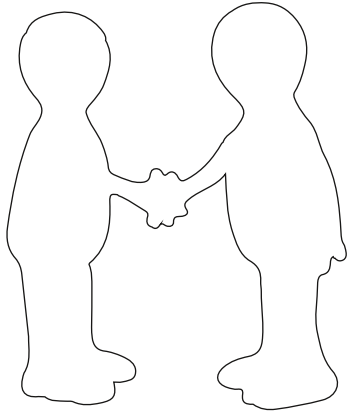
**CA** USER GUIDE

NOTICE D'UTILISATION

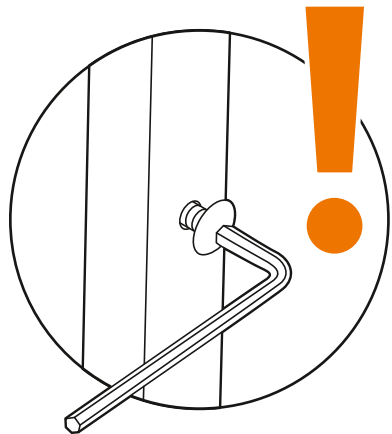


# IMPORTANT!

AE إرشادات مهمة! BG Важно! CN Simpl. 重要信息! CN Trad. 重要資訊! CZ Důležitě! DE Wichtig! DK Vigtigt! EE Tähtis! ES ¡Importante! FI Tärkeää! FR Important! GR Σημαντικό! HR Važno! HU Fontos! IT Importante! JP 重要! KR 중요! LT Svarbu! LV Svarīgi! NL Belangrijk! NO Viktig! PL Ważne! PT Importante! RO Important! RS Važno! RU Важно! SE Viktigt! SI Pomembno! SK Dôležitě! TR Önemli! UA Важно!



## UK/IE Do not tighten the screws firmly until the entire unit is assembled.



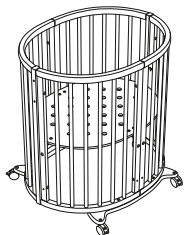
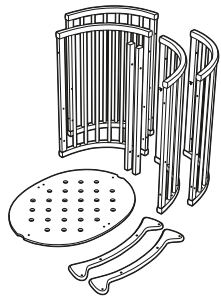
AE لا تحكم ربط المسامير بقوة إلا بعد تجميع أجزاء الوحدة بالكامل.  
BG Не затягайте здраво винтовете, докато не слобите целия продукт.  
CN Simpl. 整体安装未完成前, 请勿拧紧螺丝。  
CN Trad. 整体安装未完成前, 请勿拧紧螺丝。  
CZ Šrouby neutahujte pevně, dokud nebude celá jednotka sestavena.  
DE Ziehen Sie die Schrauben erst fest, nachdem Sie alle Teile zusammengesetzt haben.  
DK Undlad at stramme skruerne, til hele enheden er samlet.  
EE Ärge kinnitage kruvisid lõplikult enne, kui kogu voodi on kokku pandud.  
ES No ajustes los tornillos completamente hasta que toda la unidad esté montada.  
FI Älä kiristä ruuveja kunnolla ennen kuin koko sänky on koottu.  
FR Ne serrez pas fermement les vis avant d'avoir assemblé au complet l'unité.

GR Μη σφίξετε γερά τις βίδες υσούτου ολοκληρώσετε τη συναρμολόγηση ολόκληρης της μονάδος.  
HR Ne pritežite vijke čvrsto dok se ne sastavi cijeli krevetić.  
HU Ne húzza meg a csavarokat mindaddig, amíg teljesen össze nem szerelte az egységet.  
IT Non serrare saldamente le viti finché non è stato completato il montaggio dell'intera unità.  
JP ネジは最初からかたく締めず、全体を組立て終わってから再度締めなおしてください。  
KR 전체가 조립되기 전까지는 나사를 단단하게 조이지 마세요  
LT Varžtus priveržkite tik po to, kai sumontuosius visas lovos dalis.  
LV Kamēr gulta nav pilnīgi samontēta, nepievelciet skrūves stingri.  
NL Draai de schroeven pas volledig aan als de gehele montage klaar is.

NO Stram ikke til skruene før hele produktet er montert.  
PL Nie dokręcać za mocno śrub przed całkowitym złożeniem kózka.  
PT Não aperte os parafusos firmemente até toda a unidade estar montada.  
RO Nu strângeți șuruburile complet până nu s-a asamblat întreaga unitate.  
RS Ne dotěžite čvrsto zavrtnje pre nego što sklopite celu jedinicu.  
RU Не затягивайте винты натуго, пока изделие не будет собрано целиком.  
SE Dra inte åt skruvarna helt förrän hela produkten är monterad.  
SI Ne privijajte vijakov do konca, dokler ne sestavite celotne posteljice.  
SK Nepřitáhuje skrutky pevne dovtedy, kým nie je zmontovaná celá jednotka.  
TR Tüm birim kurulana kadar vidaları tam sıkmayın.  
UA Не затягуйте гвинти щільно, доки виріб не буде повністю зібраний.

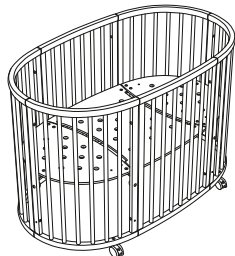
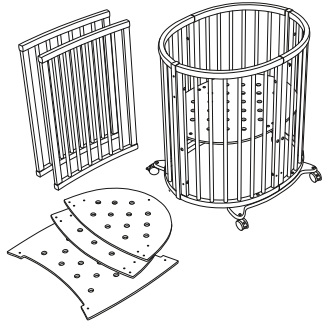
Stokke® Sleepi™  
Mini

PAGE PAGE 4



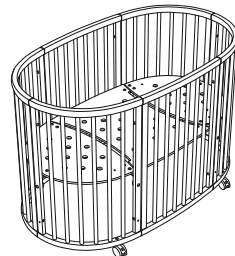
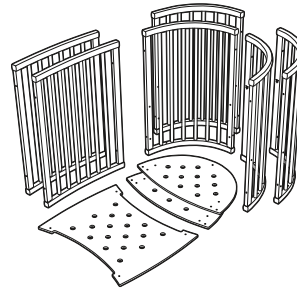
Stokke® Sleepi™  
Bed Extension Kit

PAGE 14



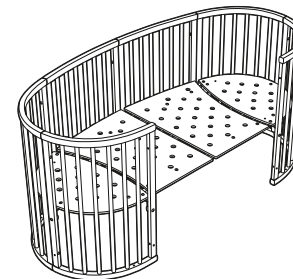
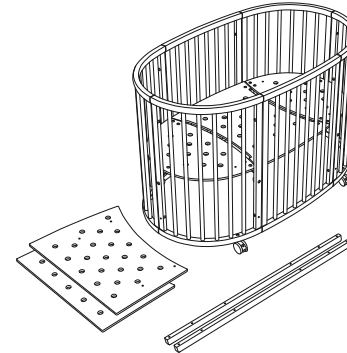
Stokke® Sleepi™  
Bed

PAGE 26



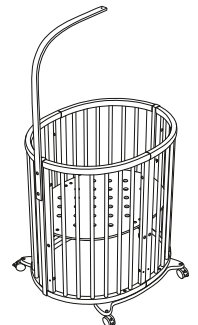
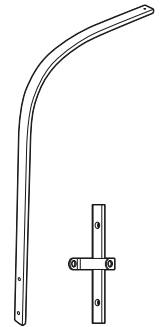
Stokke® Sleepi™  
Bed Jr. Extension Kit

PAGE 38

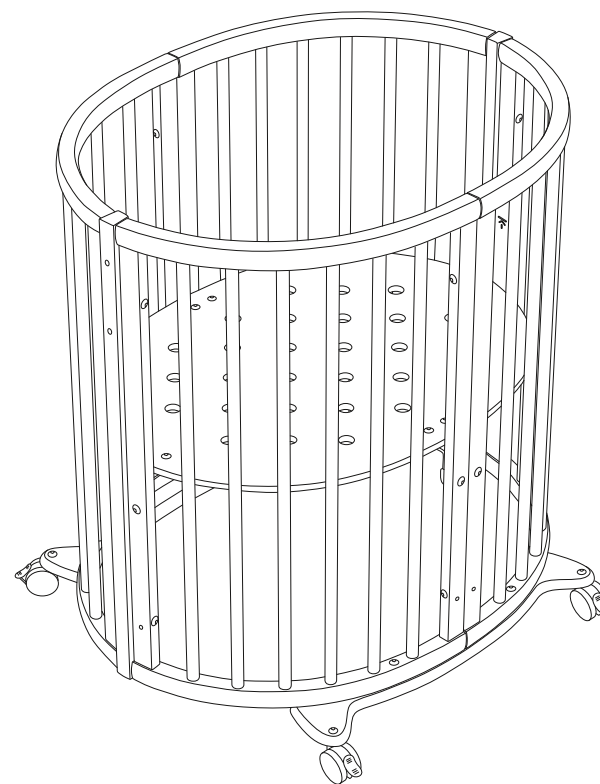


Stokke® Sleepi™  
Drape Rod Accessory Kit

PAGE 46



# STOKKE® SLEEPY™ MINI

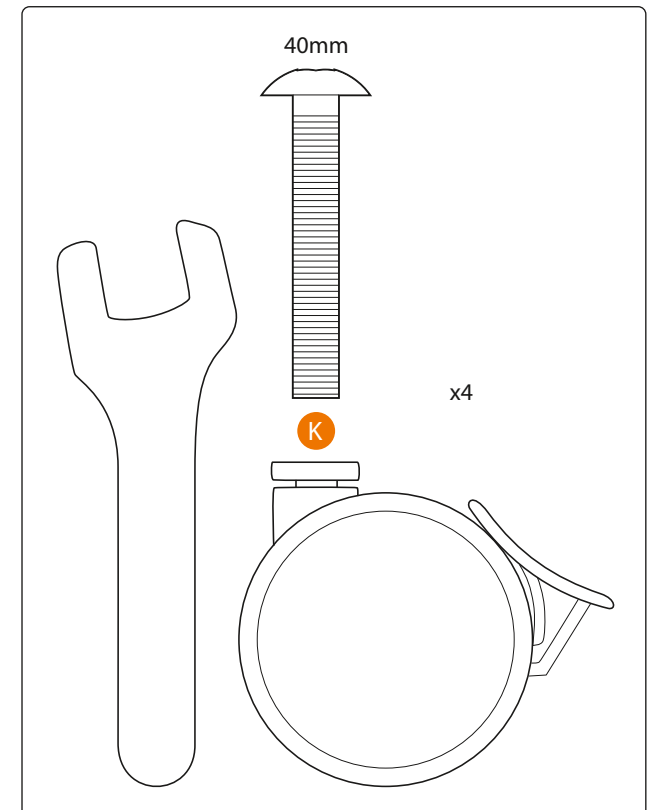
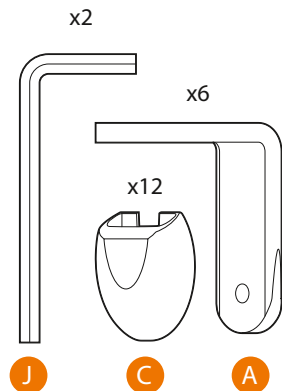
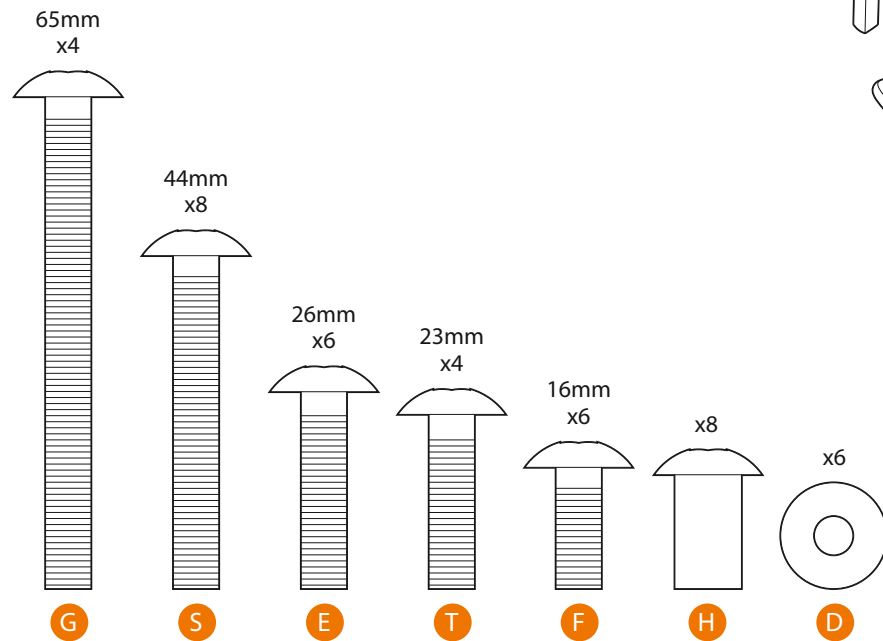
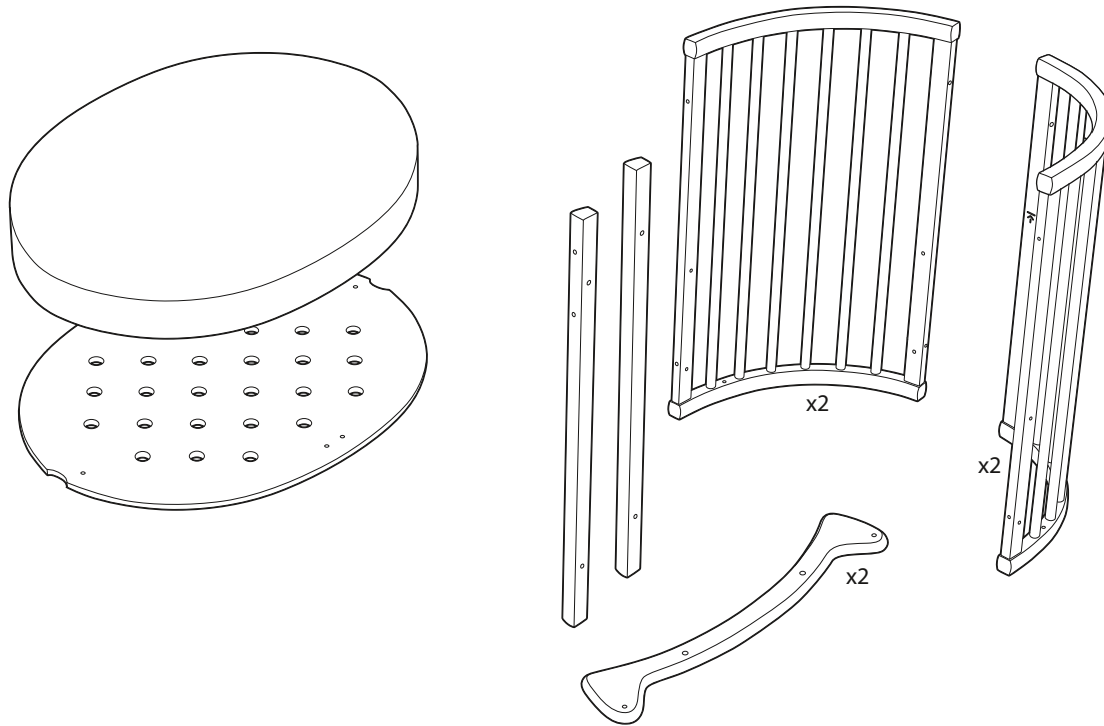
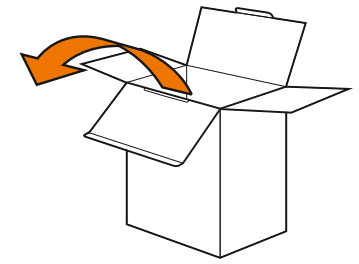


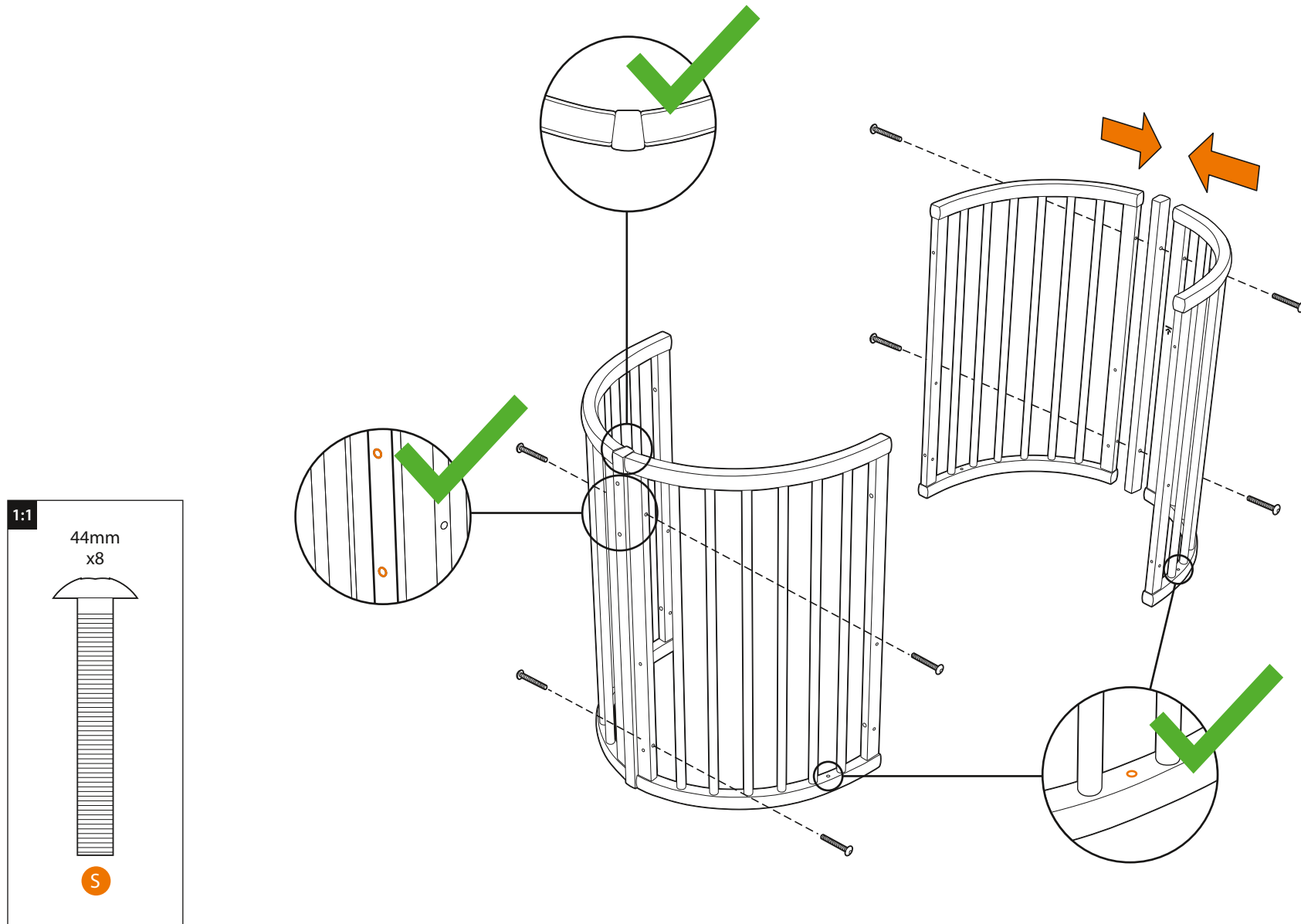
MAX:  
120 kg  
(264 lbs)

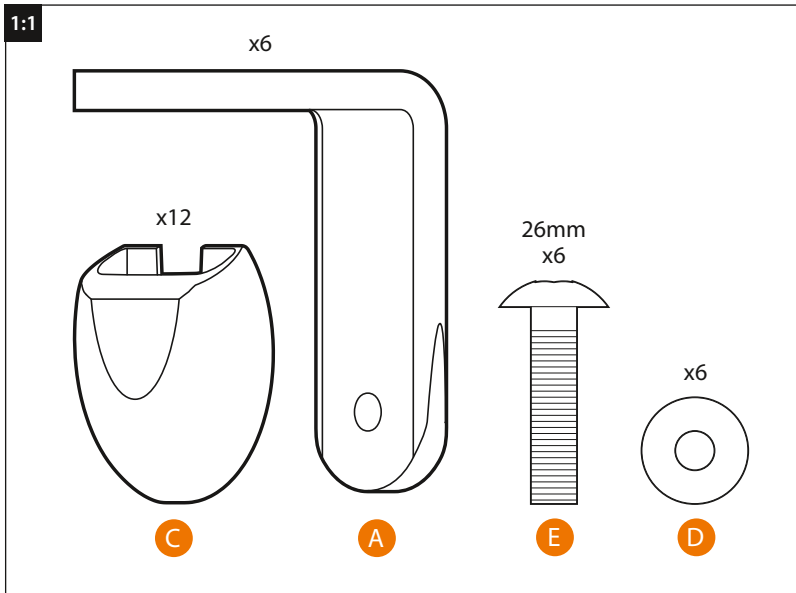
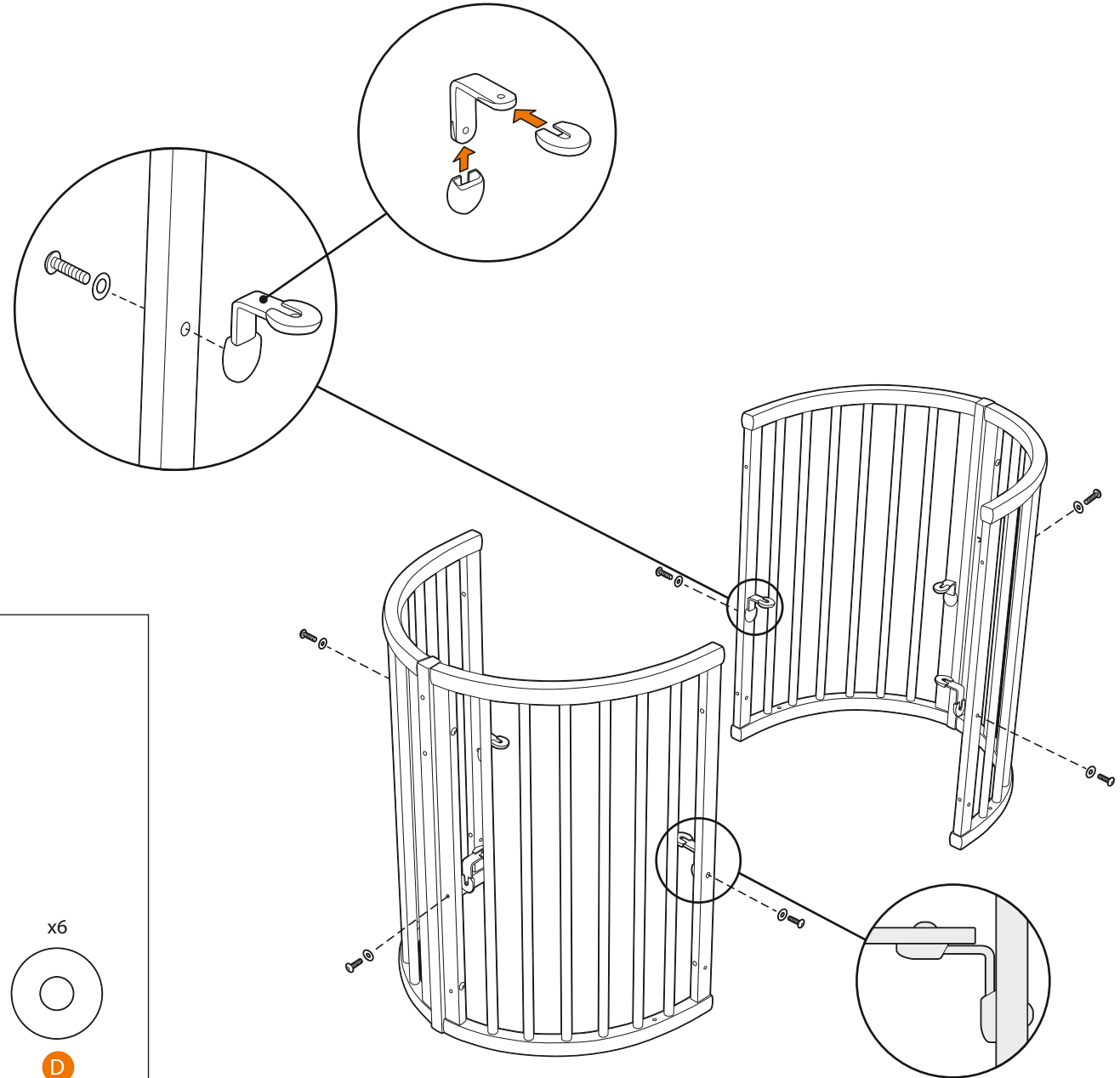


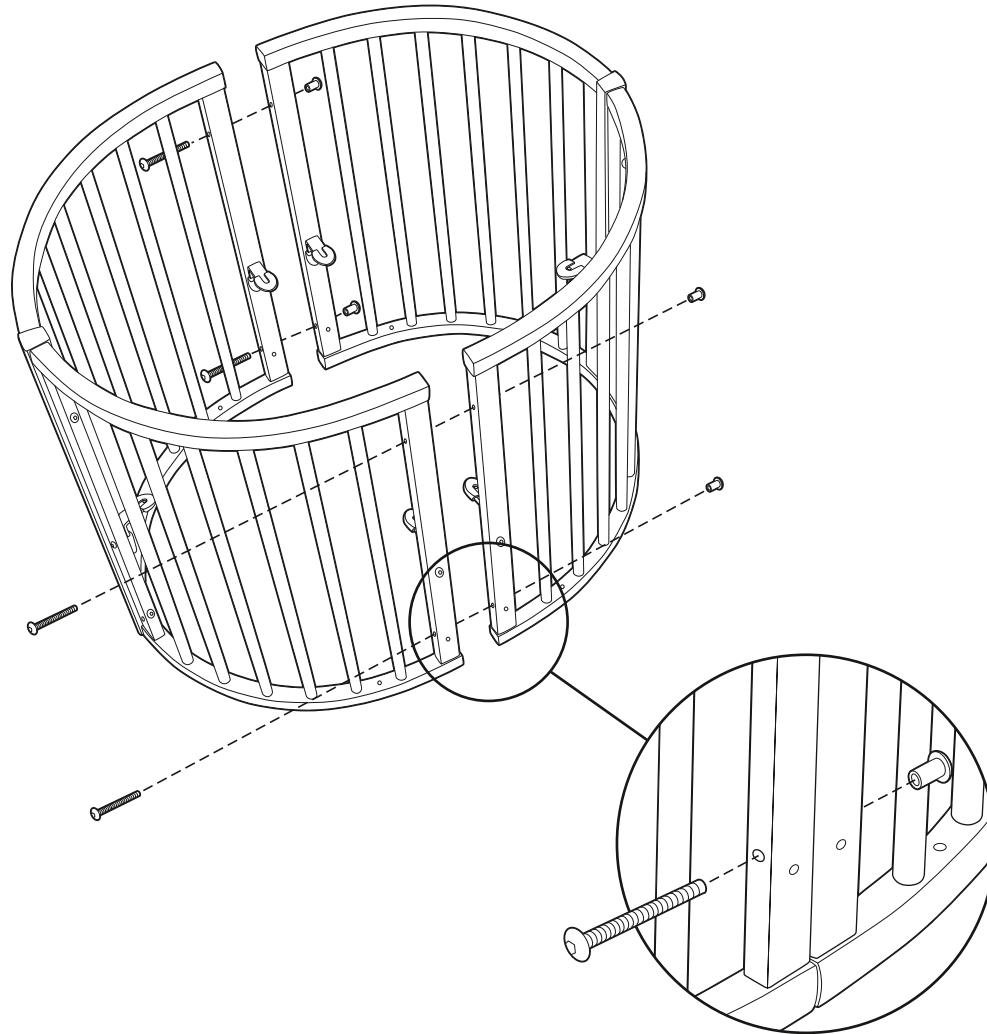
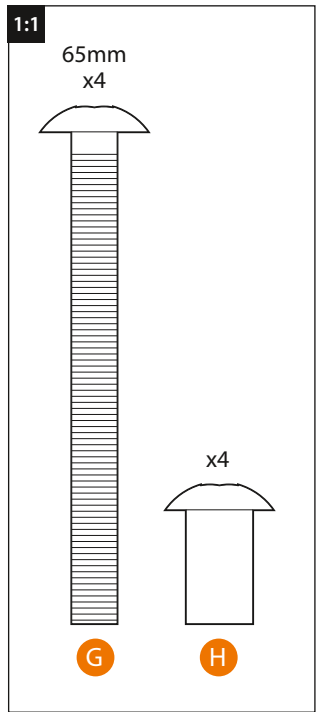
# ITEMS INCLUDED

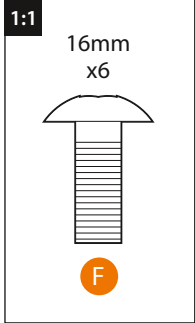
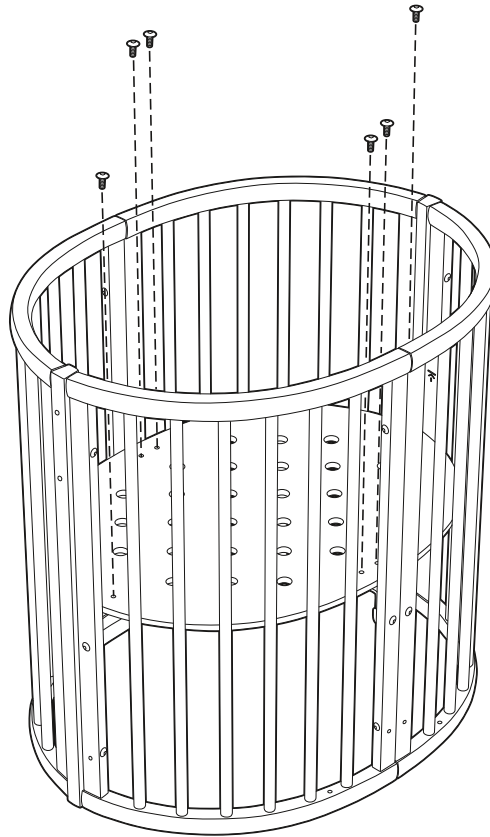
AE العناصر المُشتملة BG Включени части CN Simpl. 内含物品 CN Trad. 内含物品 CZ Zahnuté položky DE Packungsinhalt DK Medfølgende dele EE Komplektis sisalduvad ES Objetos incluidos FI Toimitussisältö FR Articles inclus GR Αντικείμενα περιεχομένων HR Dijelovi u kompletu HU Tartozékok IT Articoli inclusi JP 同梱品 KR 포함 품목 LT Sudedamosios dalys LV Iekārtas punkti NL Meegeleverde onderdelen NO Deler som følger med PL Elementy zestawu PT Peças incluídas RO Articole incluse RS Uključeni delovi RU Комплект поставки SE Medföljande delar SI Vključeno v paketu SK Obsiahnuté položky TR Ürünle birlikte gelen parçalar UA До складу входять

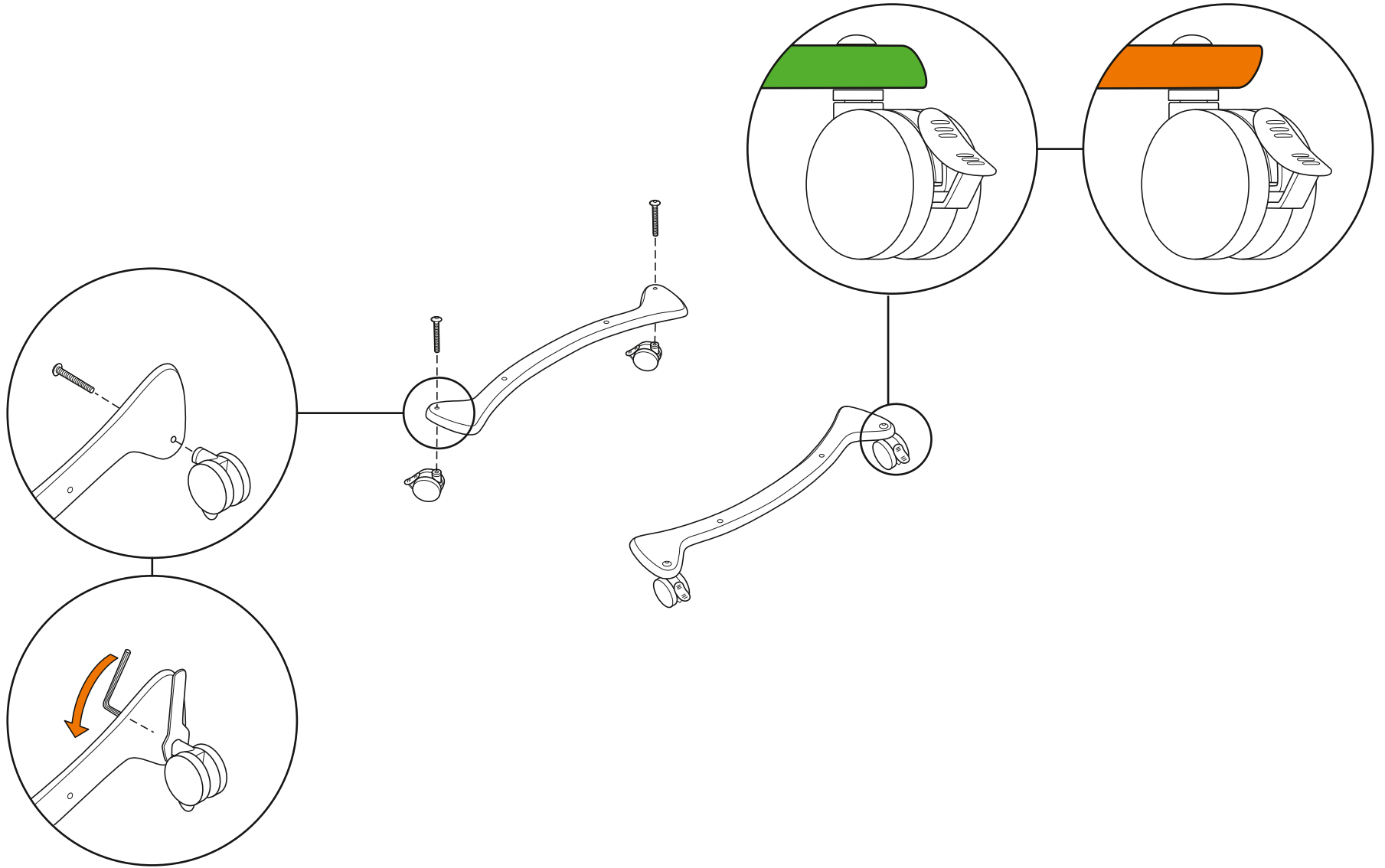
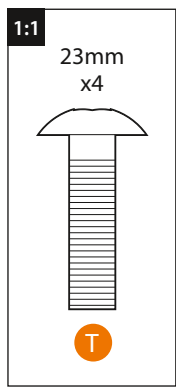


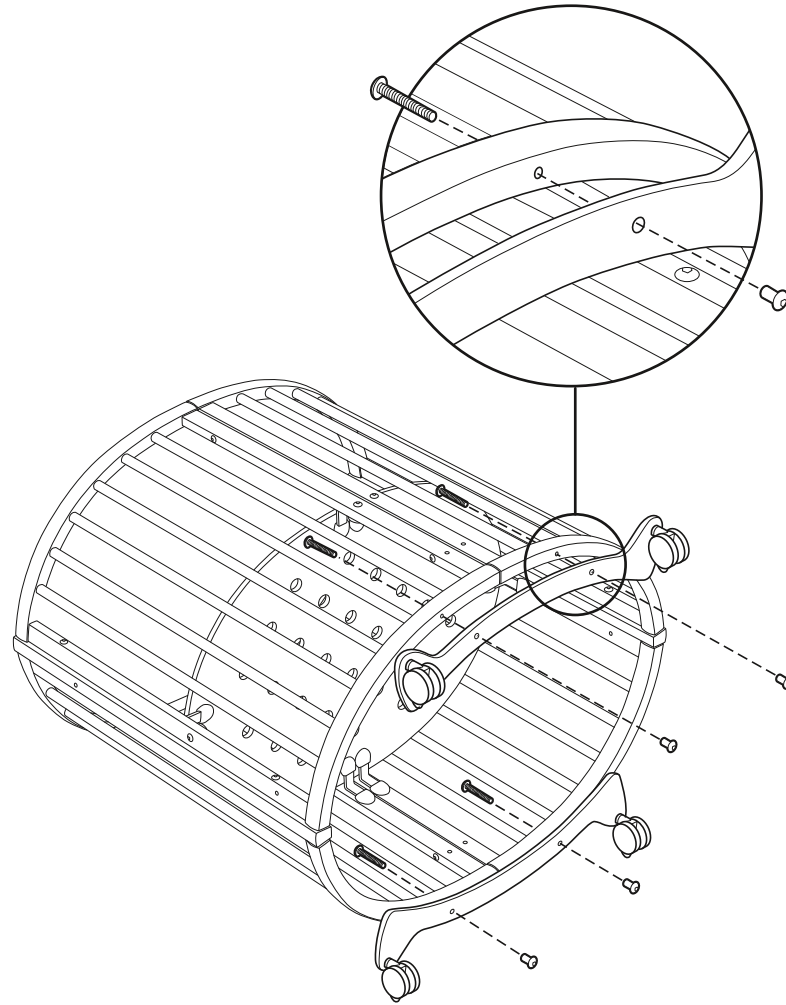
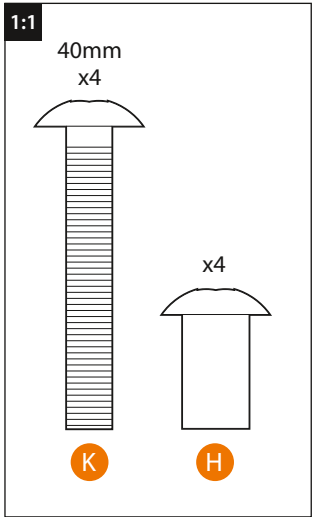


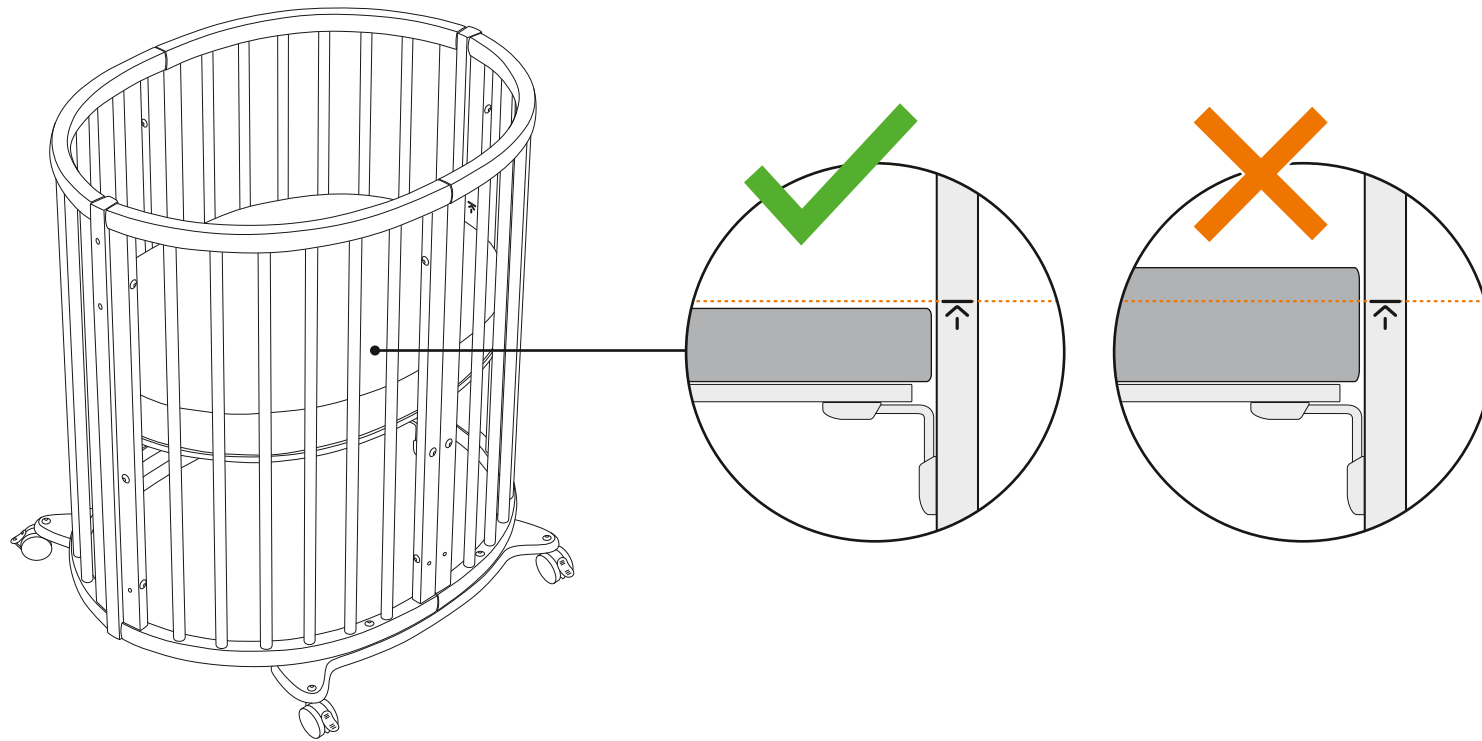
















# STOKKE® SLEEPI™ BED EXTENSION

AE طقم توسيع السرير

BG Удължителен комплект за легло

CN Simpl. 婴儿床加长套件

CN Trad. 嬰兒床加長套件

CZ Prodlužovací sada postýlky

DE Umbausatz zum Bett

DK Bed Extension Kit

EE Voodi pikenduskomplekt

ES Kit de Extensión Bed

FI Sängyn jatkopalasetti

FR Kit d'extension pour lit

GR Εργαλειοσύνολο επέκτασης κρεβατιού

HR Komplet za proširenje krevetića

HU Ágybővítő készlet

IT Kit Estensione per Letto

KR 베드 확장 키트

LT Lovos ilginimo rinkinys

LV Gultas pagarināšanas komplekts

NL Ledikant uitbreidingset

NO Bed Extension Kit

PL Rozszerzenie łóżka

PT Kit de Extensão da Cama

RO Kit extensie pat

RS Komplet za proširenje u krevet

RU Комплект для удлинения кроватки

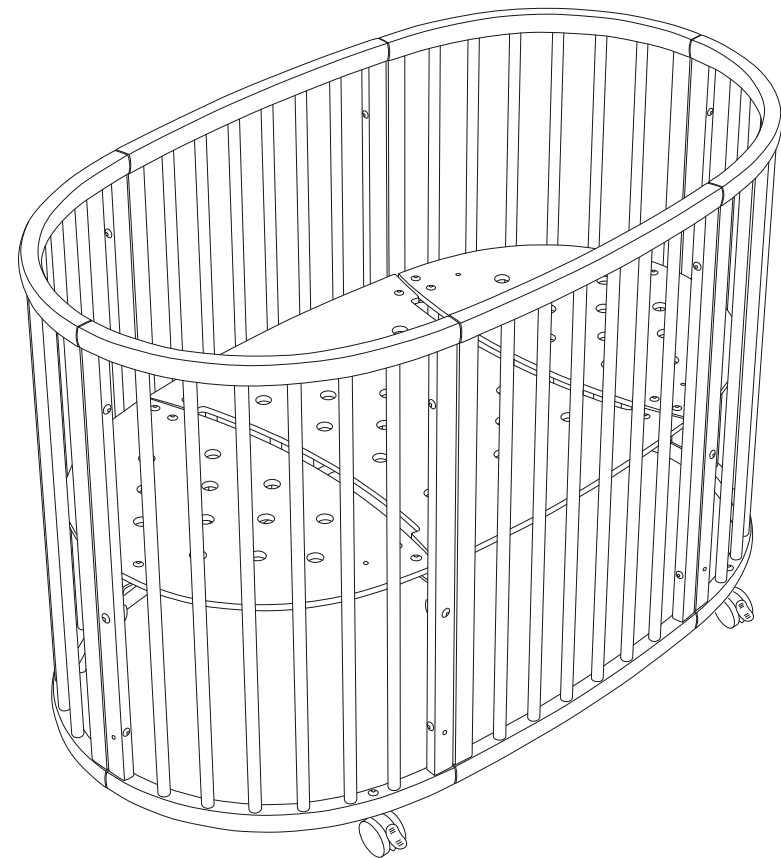
SE Bed Extension Kit

SI Komplet za podaljšanje ležišča  
posteljice

SK Rozširujúca súprava postelky

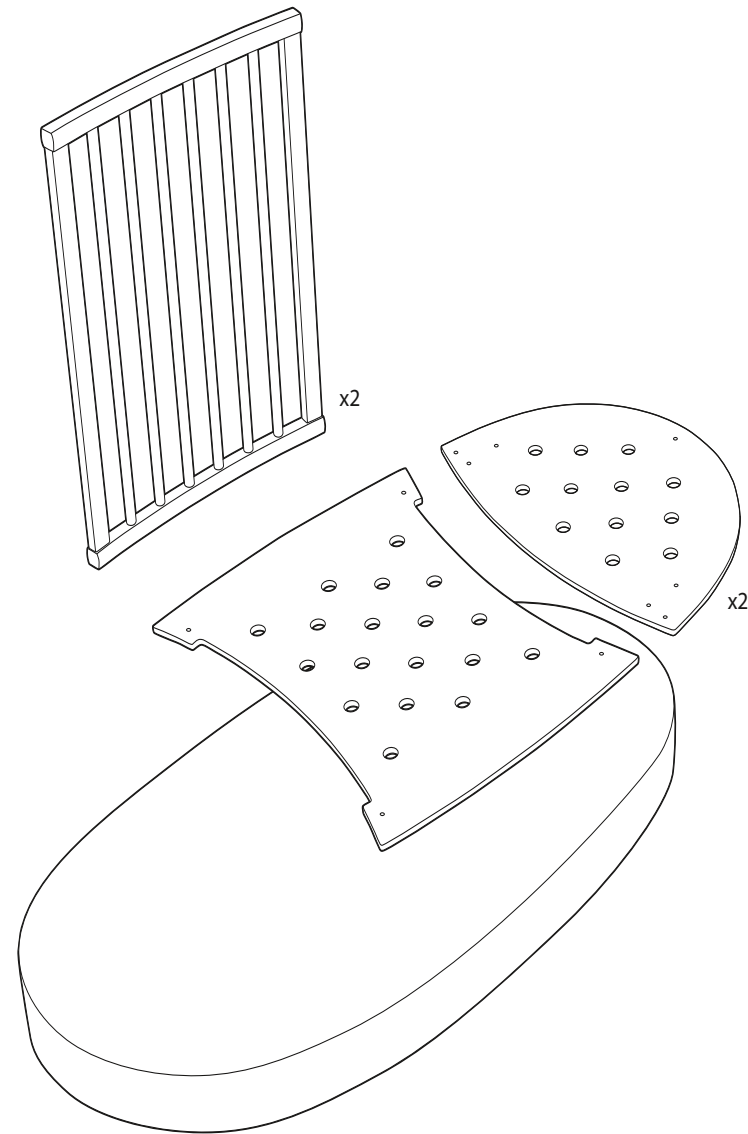
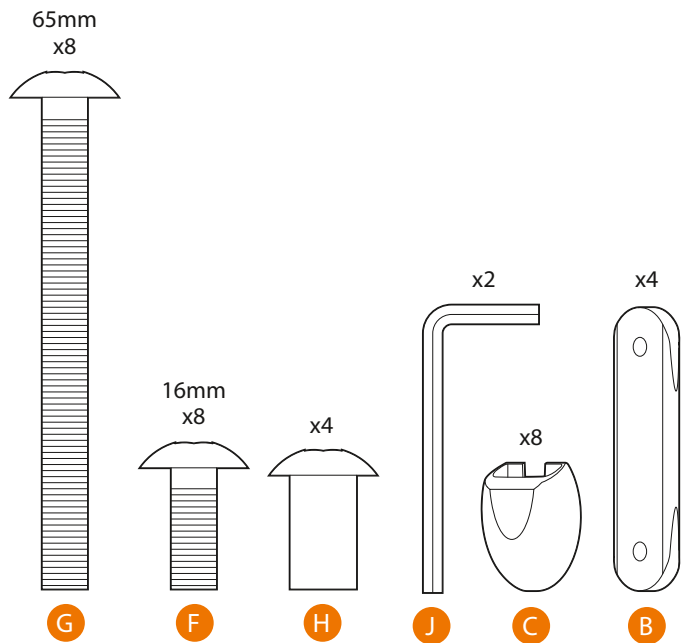
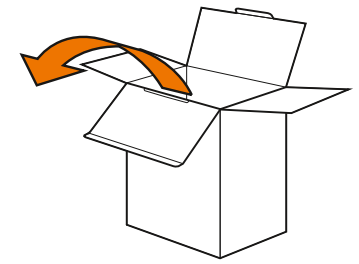
TR Karyola Büyütme Kitiyle

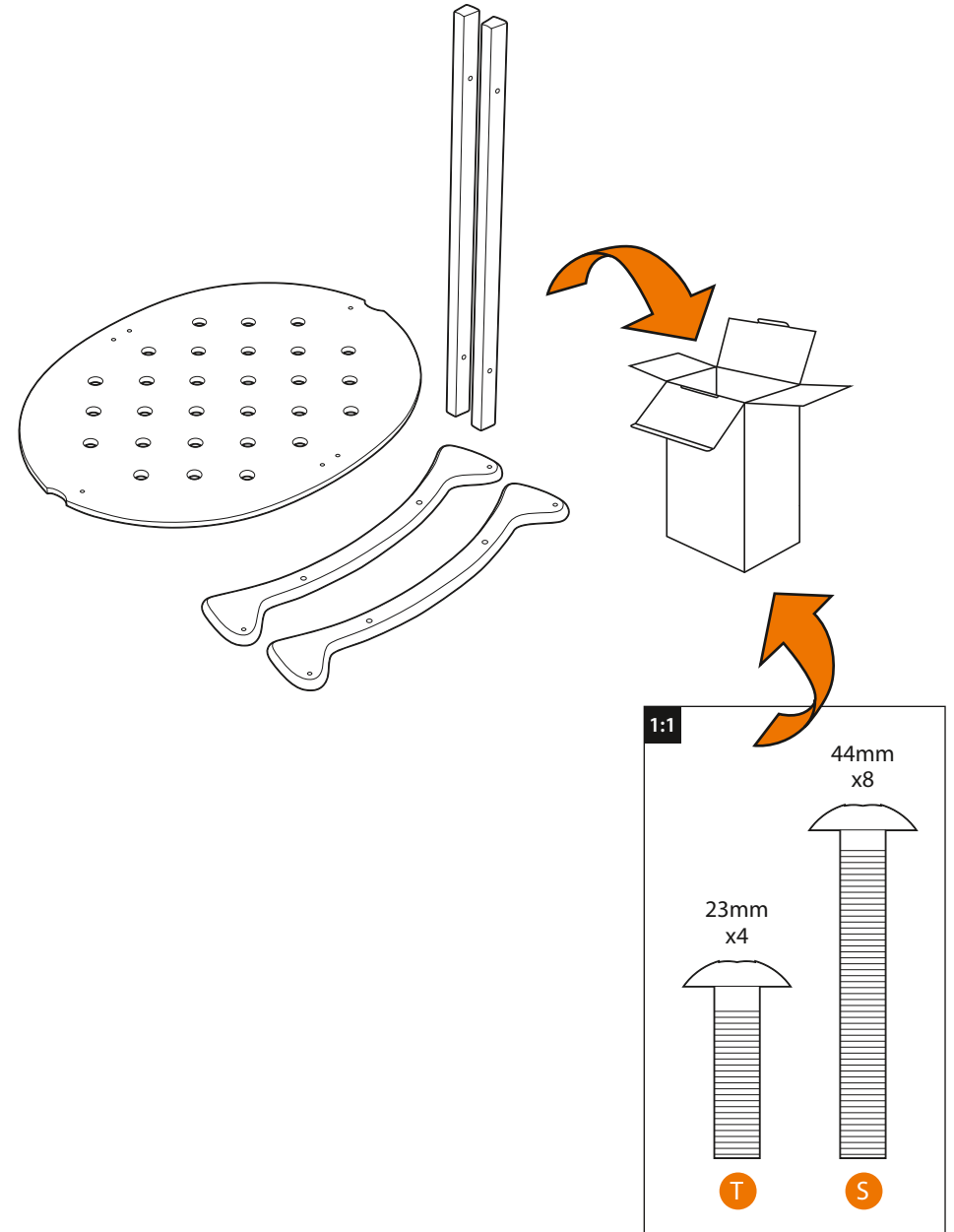
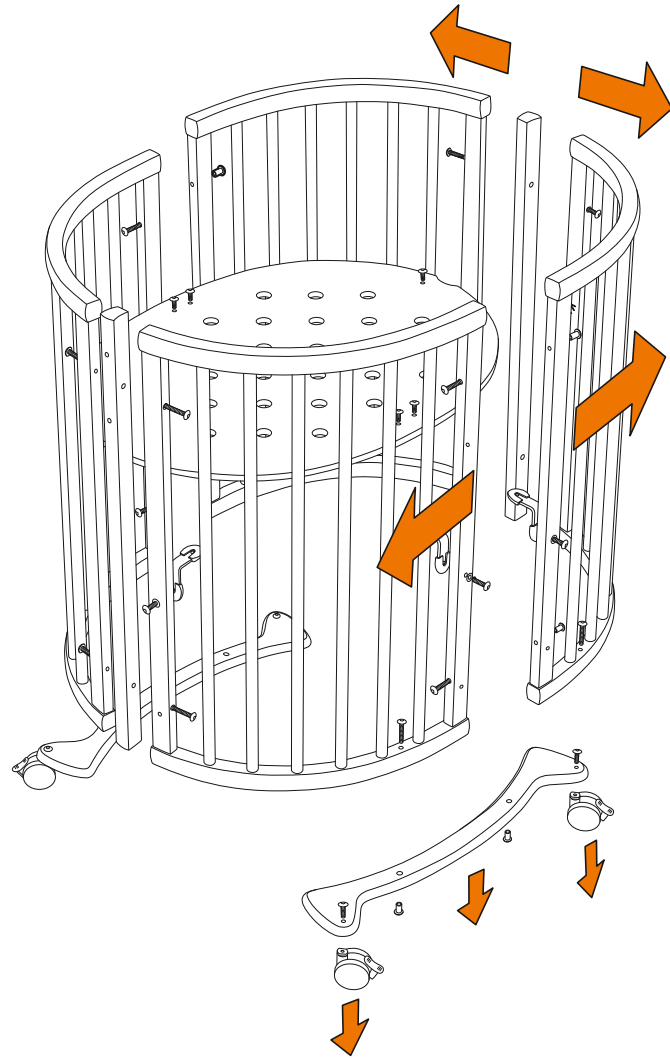
UA Комплект для збільшення ліжка

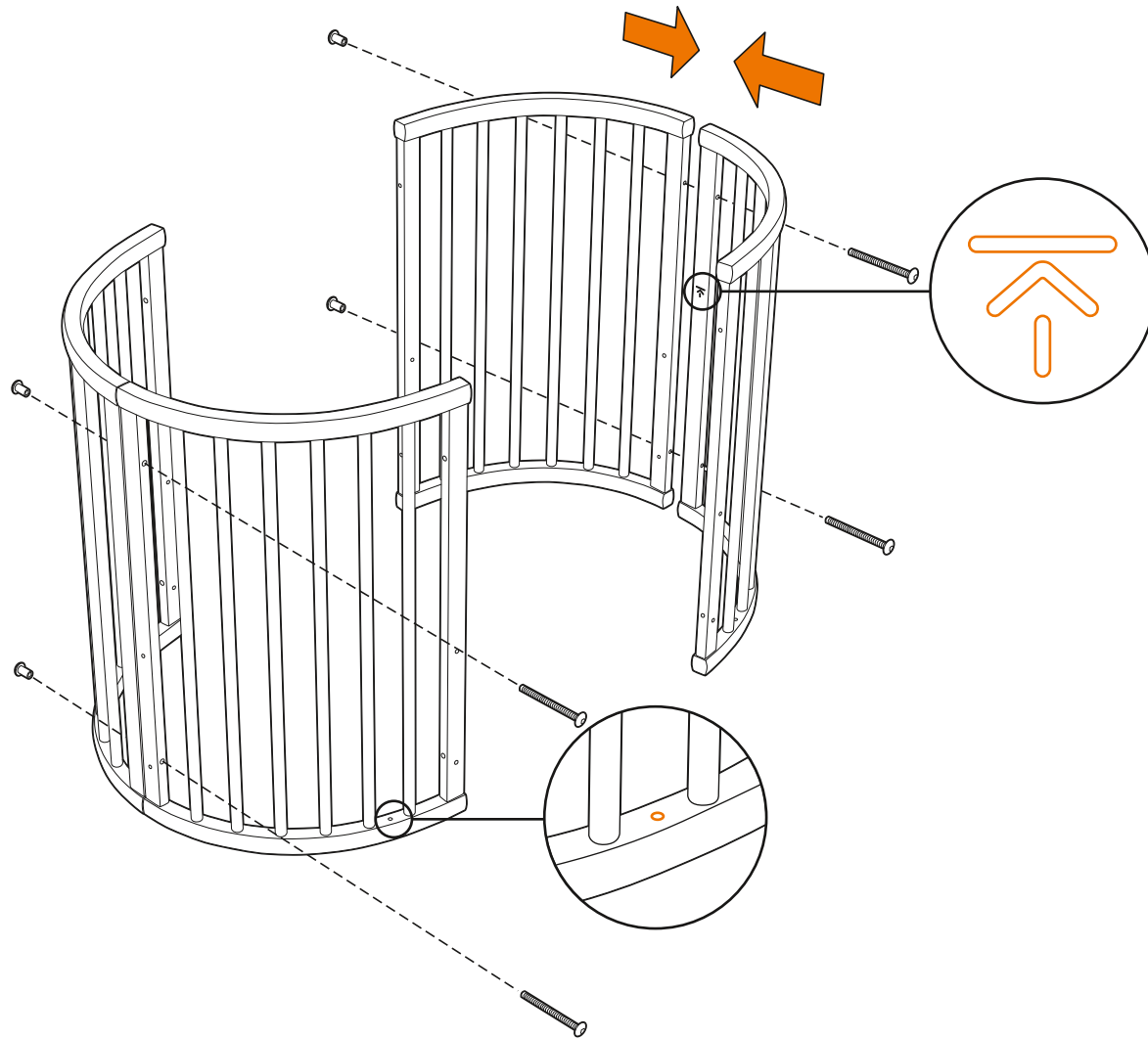
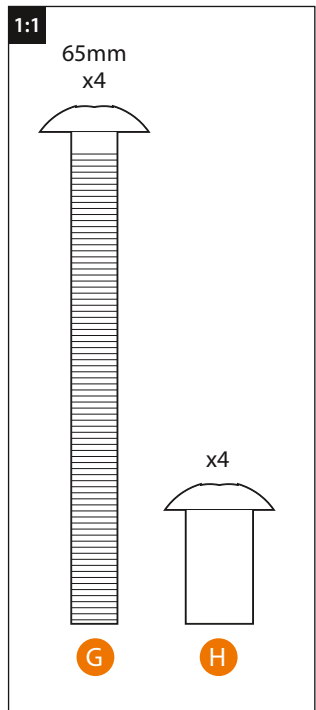


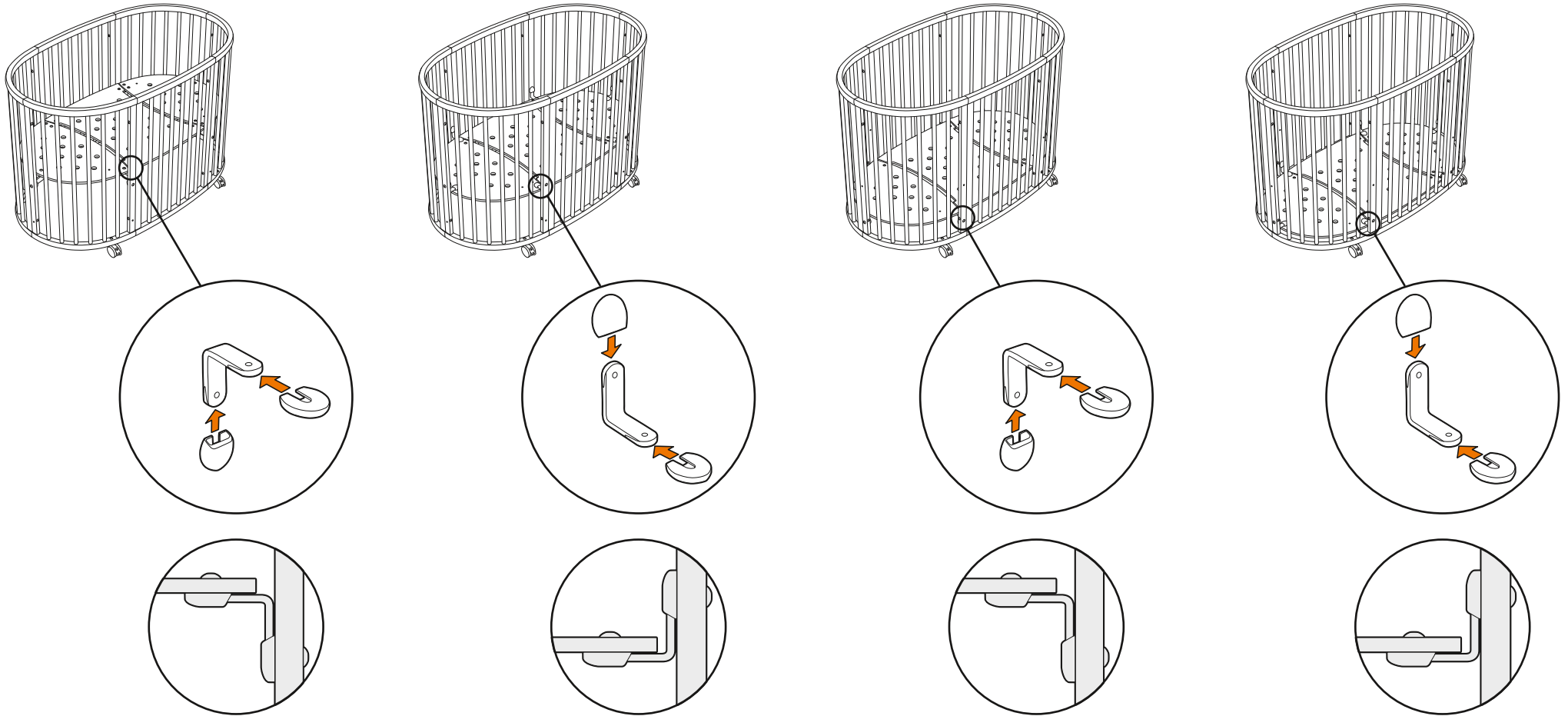
# ITEMS INCLUDED

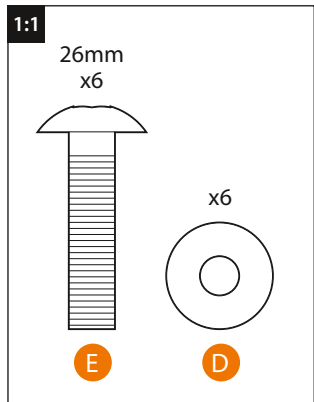
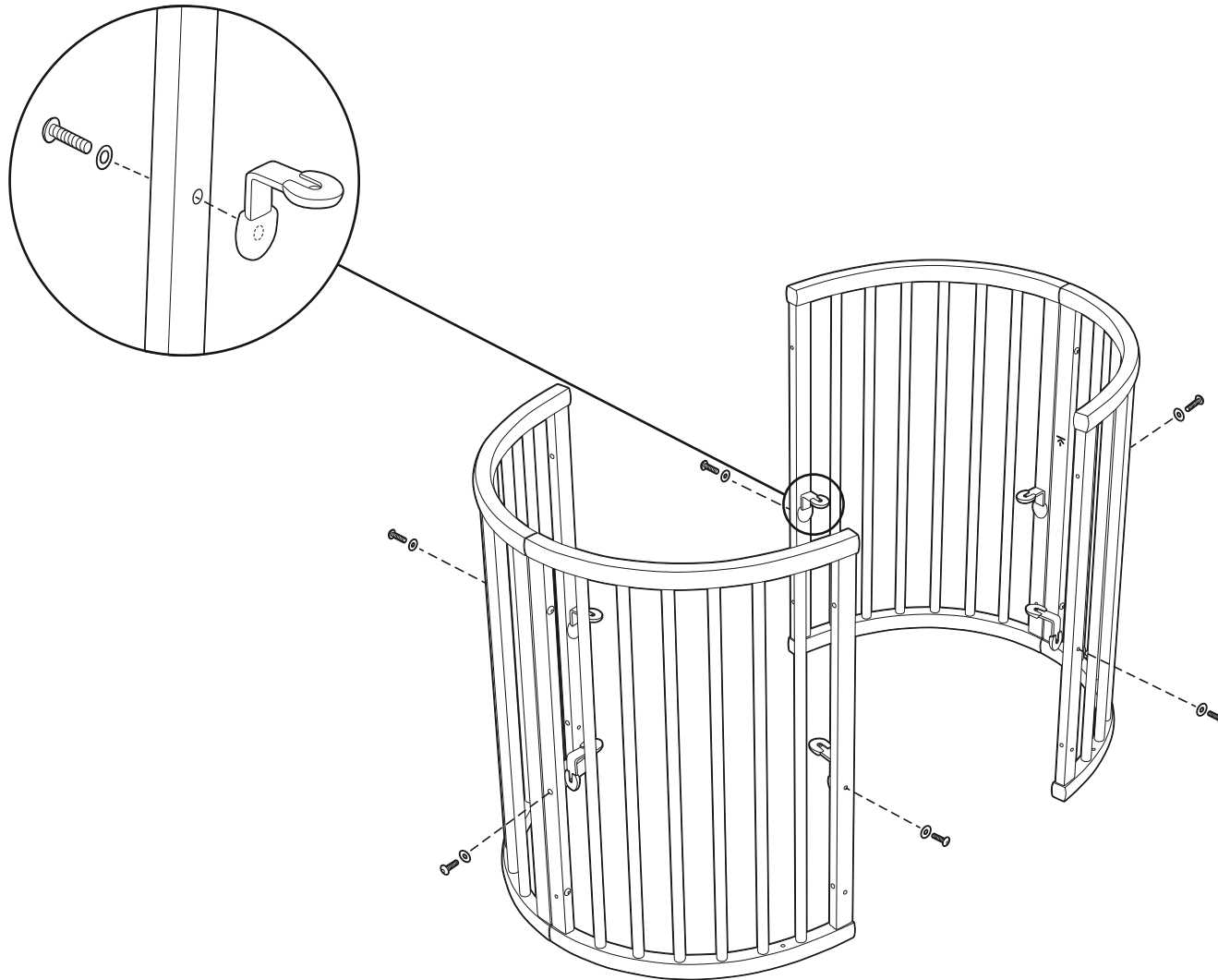
AE العناصر المُضمنة BG Включени части CN Simpl. 内含物品 CN Trad. 内含物品 CZ Zahnuté položky DE Packungsinhalt DK Medfølgende dele EE Komplektis sisalduvad ES Objetos incluidos FI Toimitussisältö FR Articles inclus GR Αντικείμενα περιεχομένων HR Dijelovi u kompletu HU Tartozékok IT Articoli inclusi JP 同梱品 KR 포함 품목 LT Sudedamosios dalys LV Iekārtas punkti NL Meegeleverde onderdelen NO Deler som følger med PL Elementy zestawu PT Peças incluídas RO Articole incluse RS Uključeni delovi RU Комплект поставки SE Medföljande delar SI Vključeno v paketu SK Obsiahnuté položky TR Ürünle birlikte gelen parçalar UA До складу входять

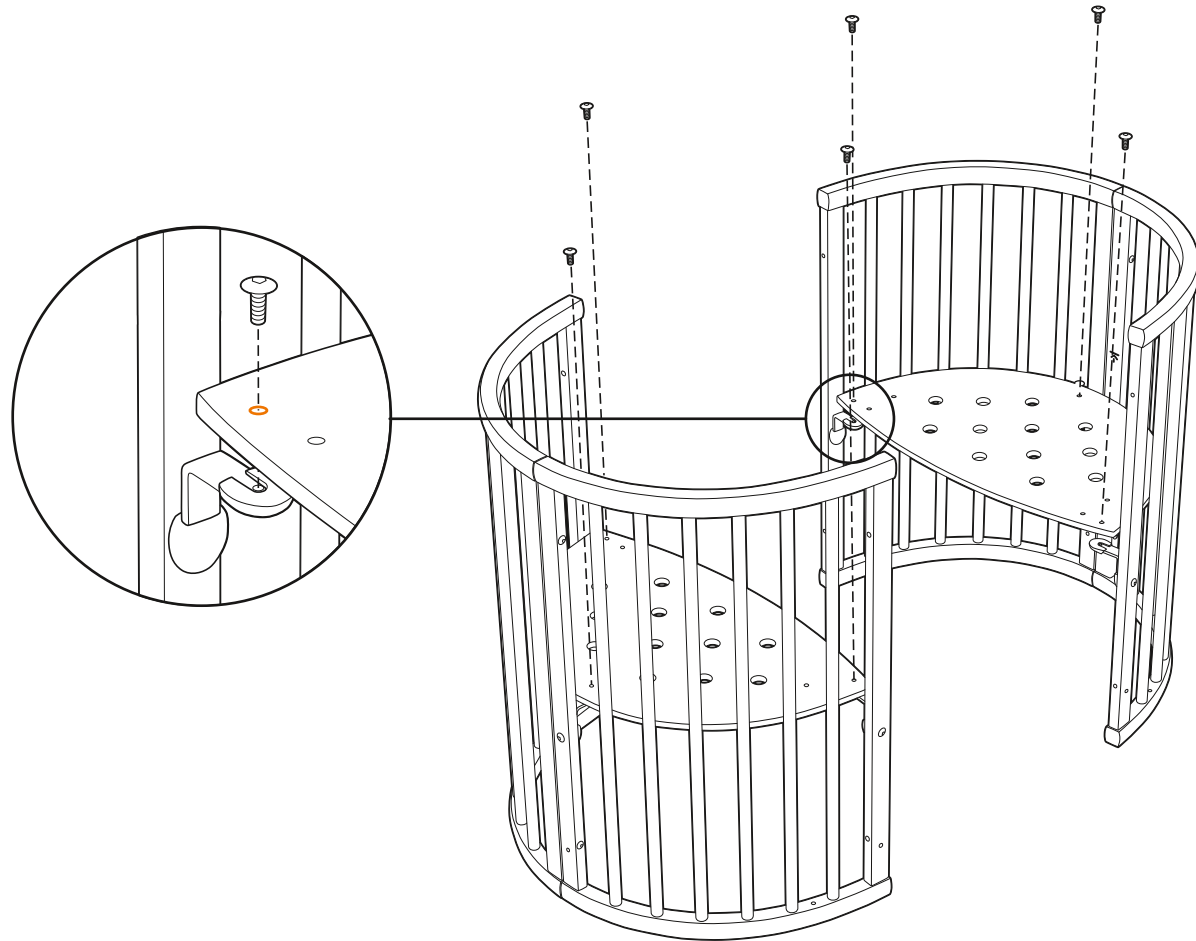






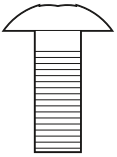






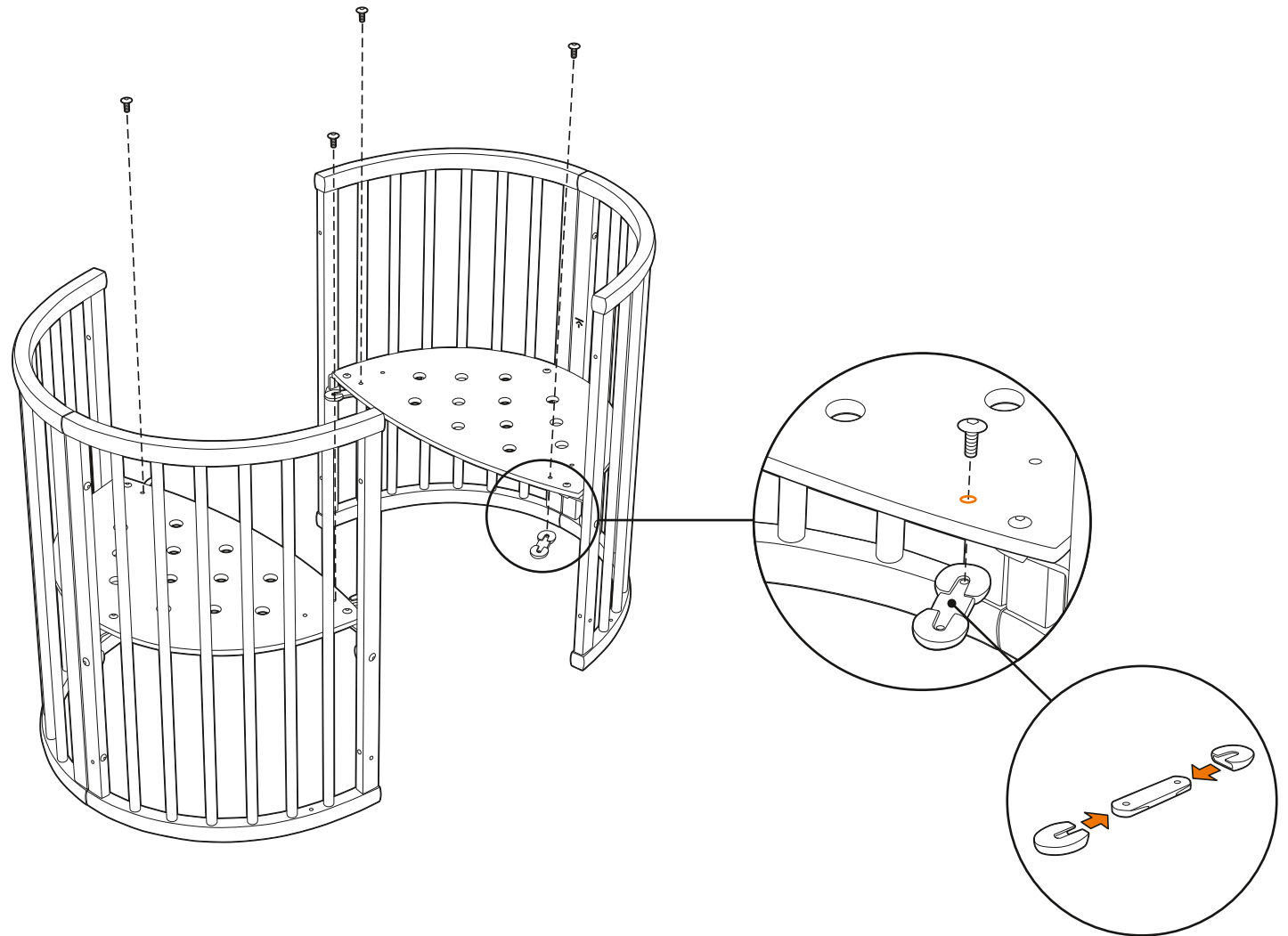
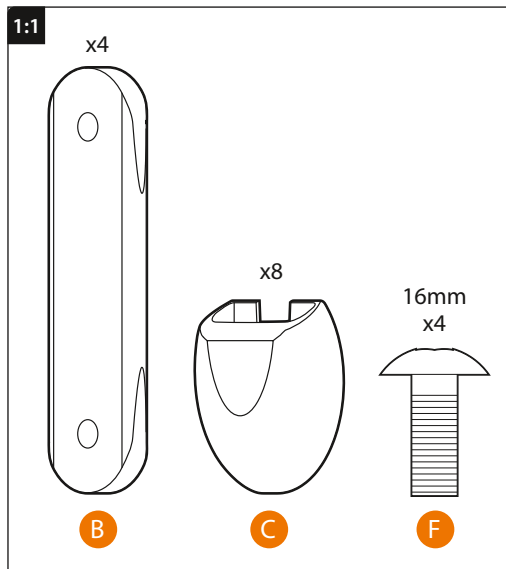
1:1

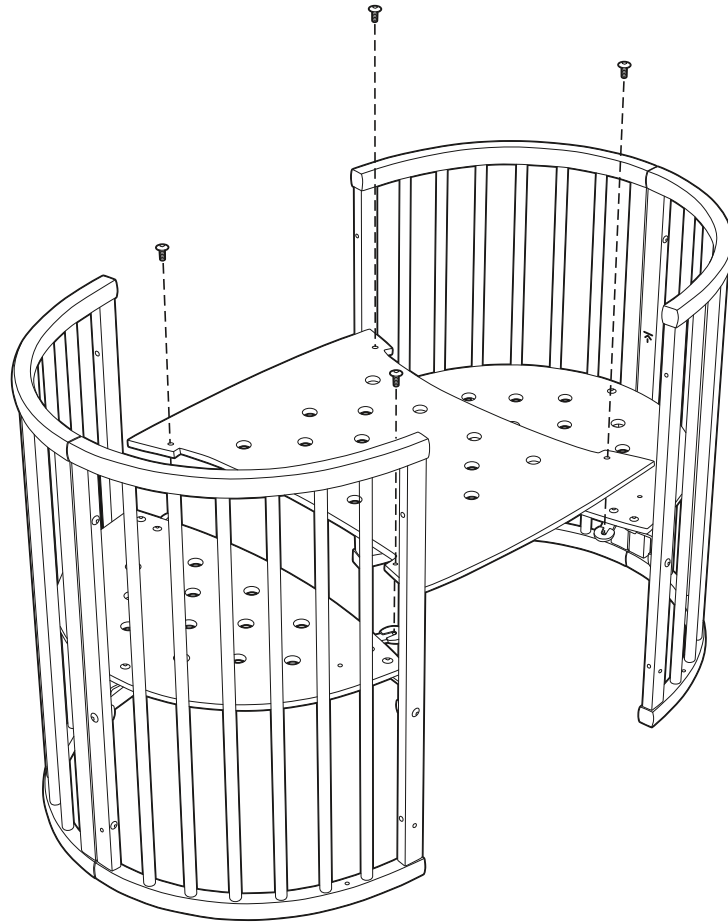
16mm  
x6



F

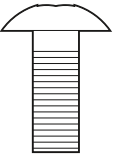




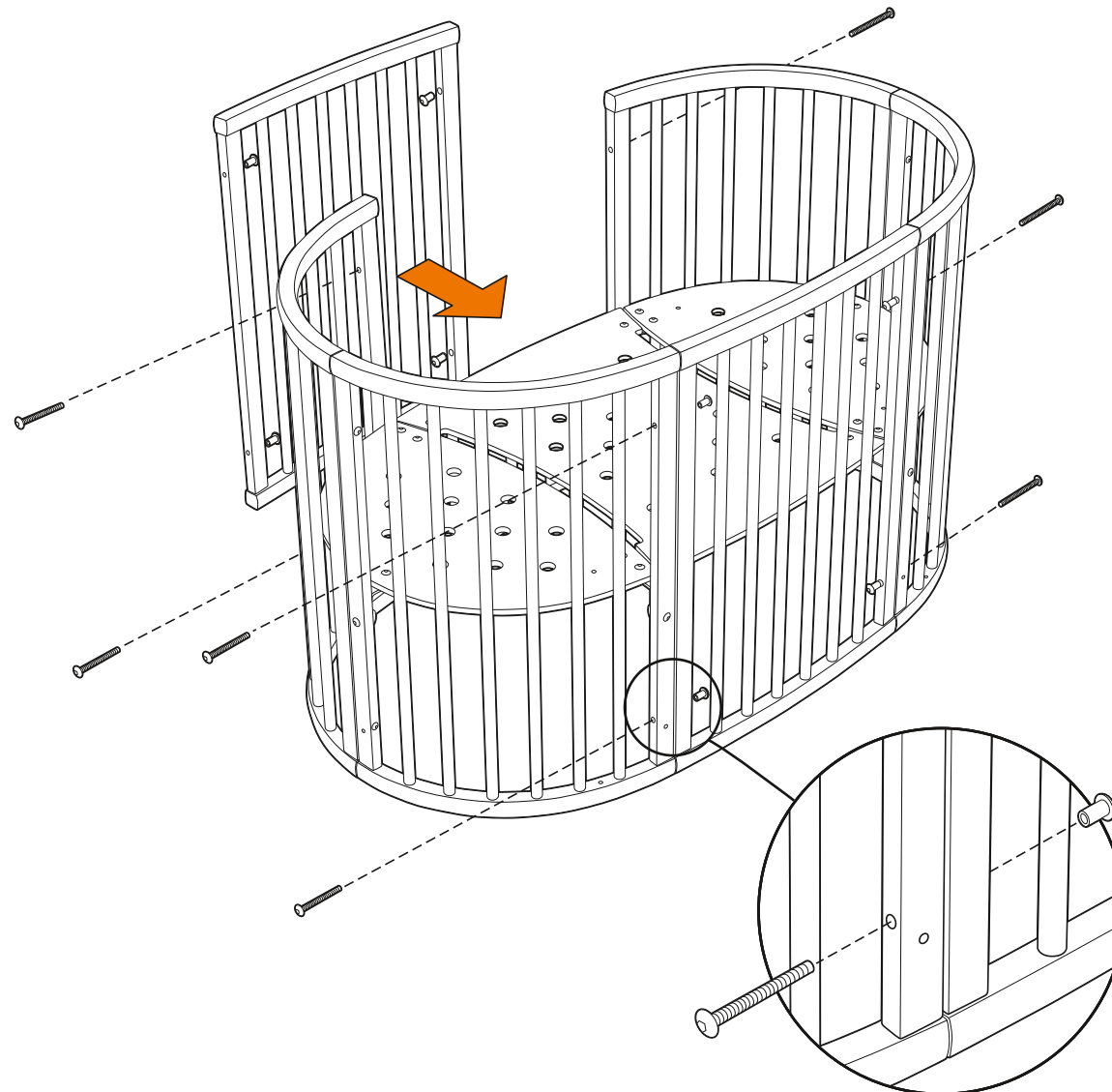
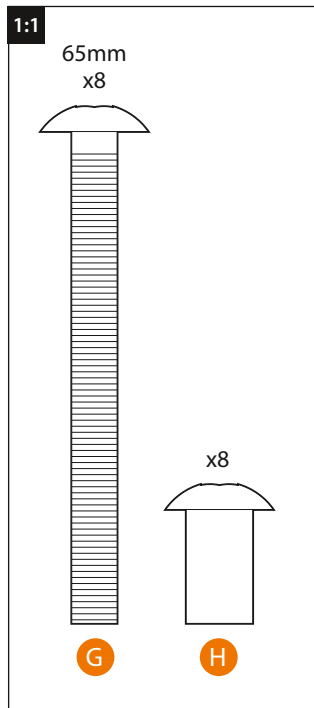


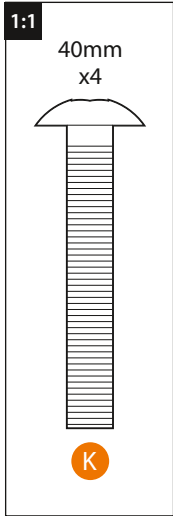
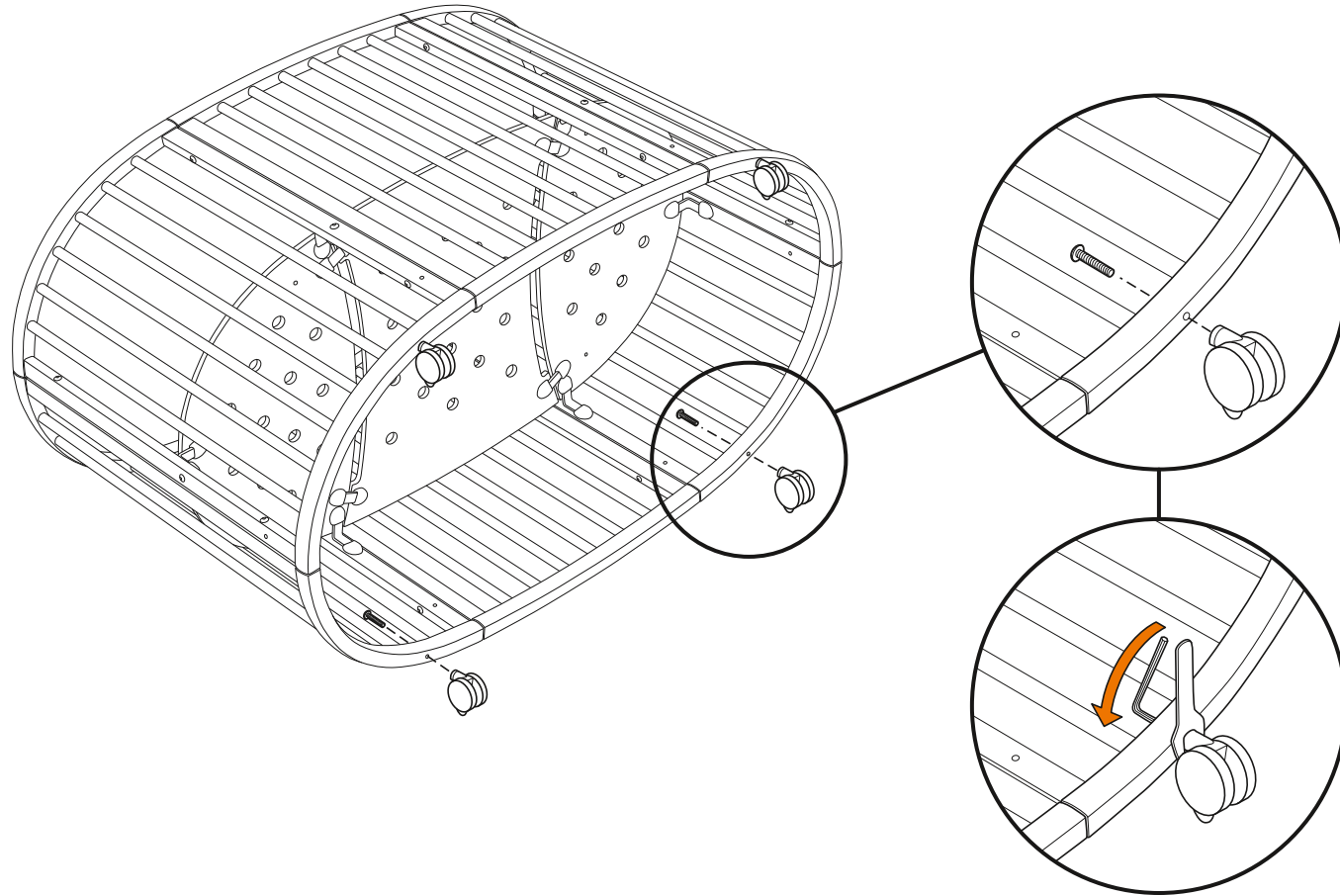
1:1

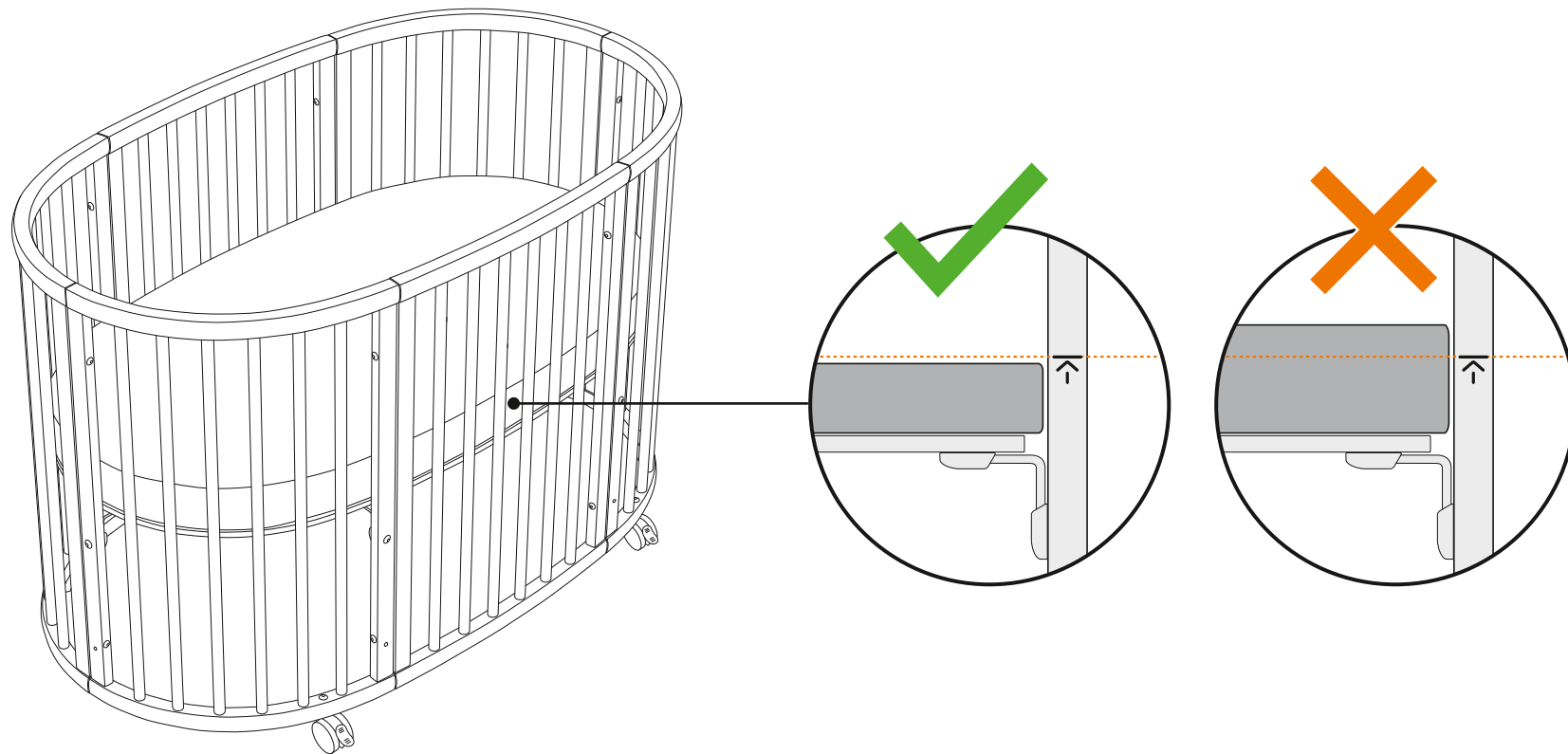
16mm  
x4



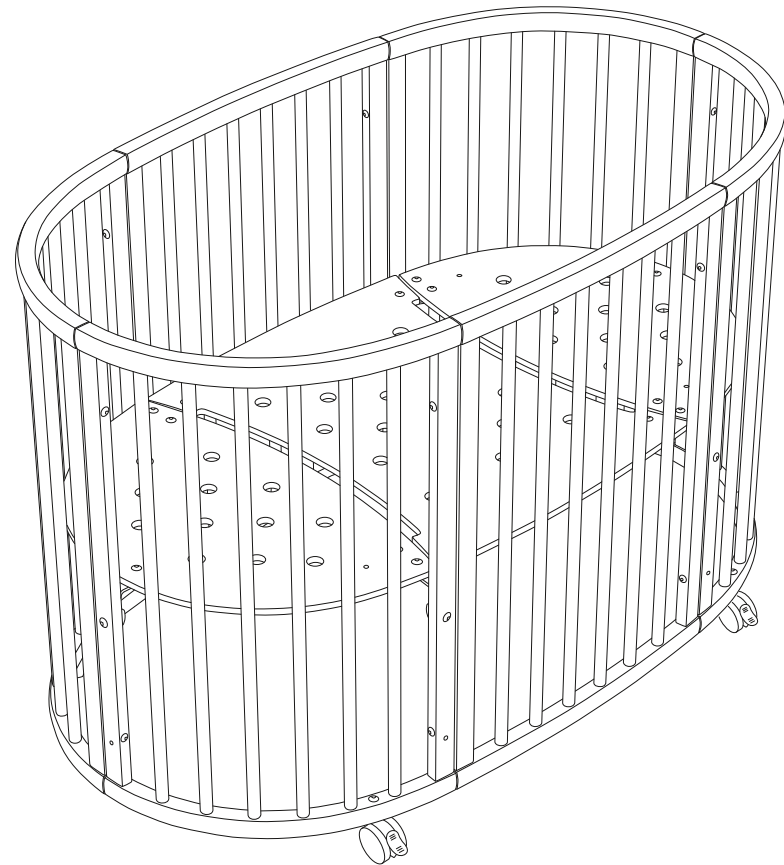
F







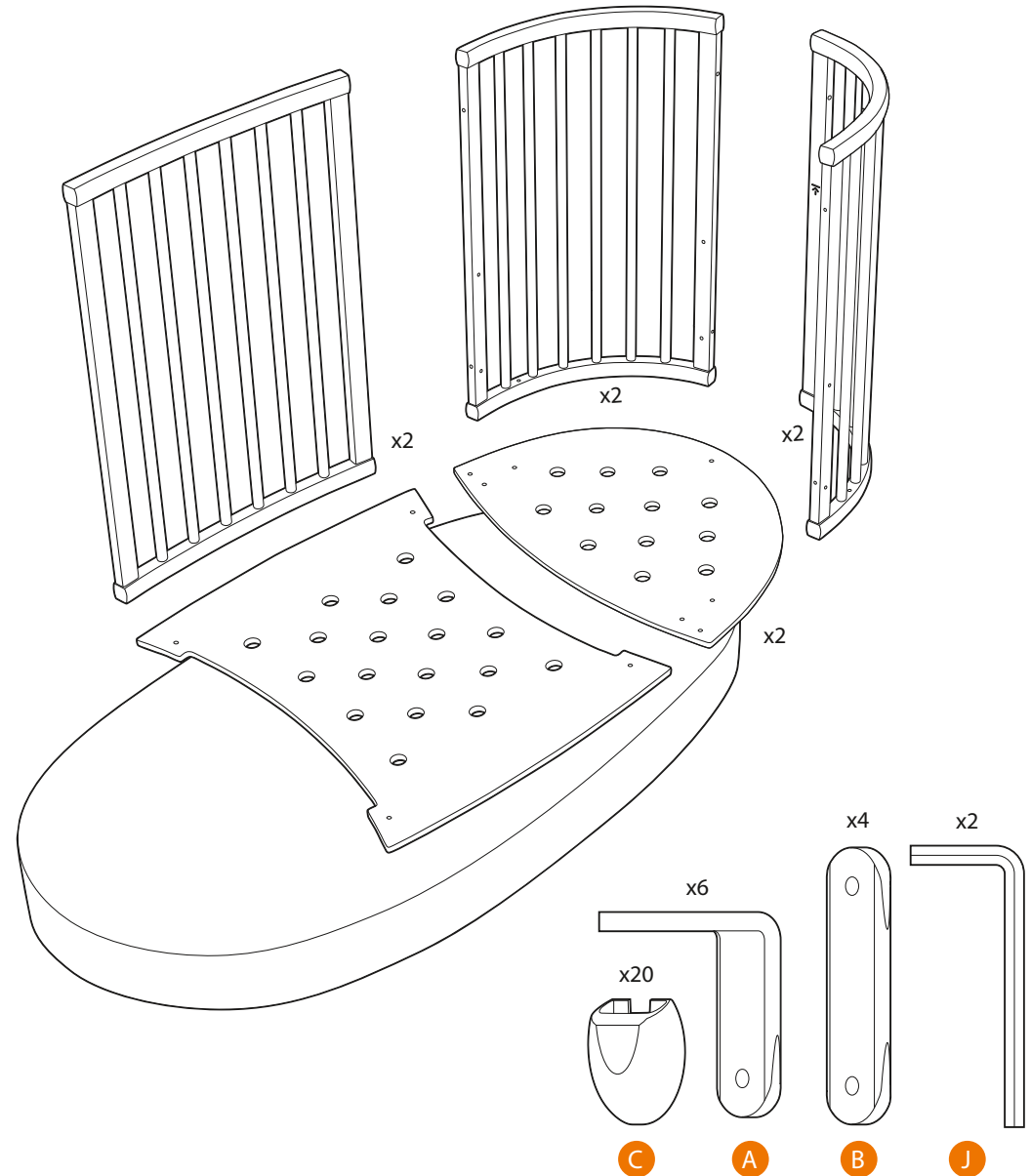
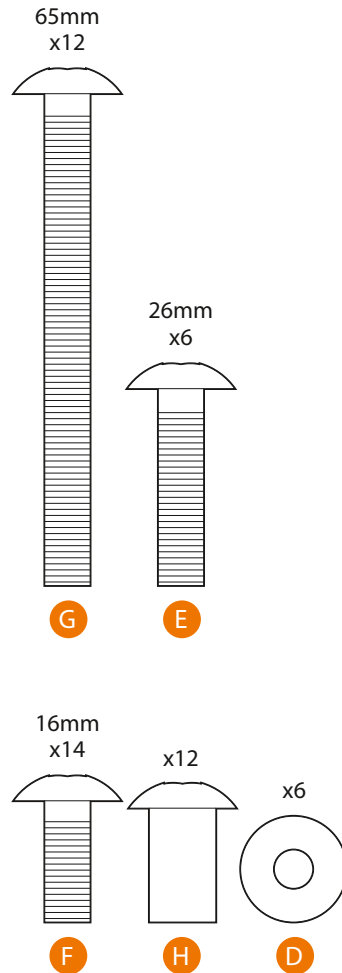
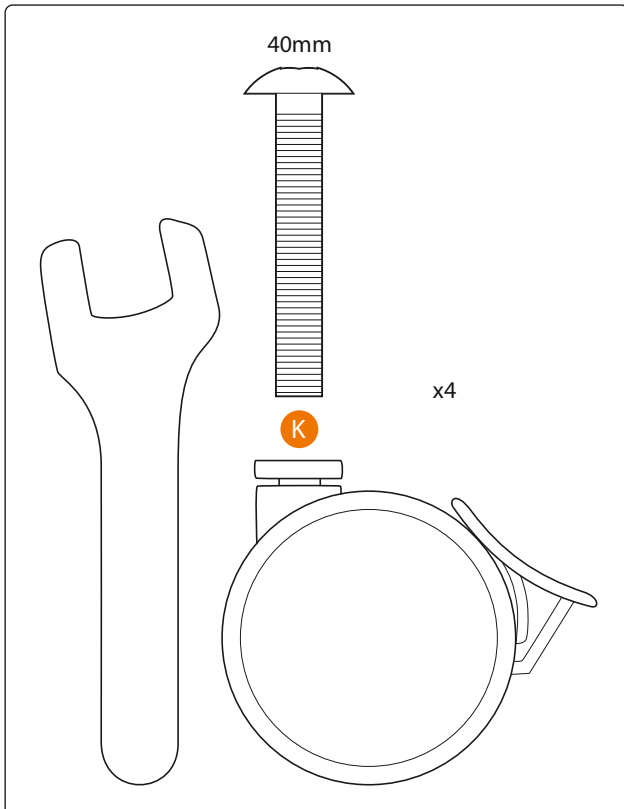
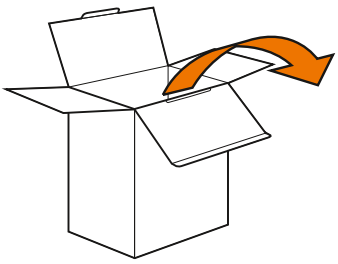
# STOKKE® SLEEPI™ BED



MAX:  
120 kg  
(264 lbs)

# ITEMS INCLUDED

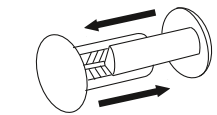
AE العناصر المُضمَّنة BG Включени части CN Simpl. 内含物品 CN Trad. 內含物品 CZ Zahrnuté položky DE Packungsinhalt DK Medfølgende dele EE Komplektis sisalduvad ES Objetos incluidos FI Toimitussisältö FR Articles inclus GR Αντικείμενα περιεχομένων HR Dijelovi u kompletu HU Tartozékok IT Articoli inclusi JP 同梱品 KR 포함 품목 LT Sudedamosios dalys LV Iekārtas punkti NL Meegeleverde onderdelen NO Deler som følger med PL Elementy zestawu PT Peças incluídas RO Articole incluse RS Uključeni delovi RU Комплект поставки SE Medföljande delar SI Vključeno v paketu SK Obsiahnuté položky TR Ürünle birlikte gelen parçalar UA До складу входять



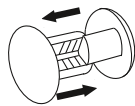
# Open hole fittings (screw bag)

## Assembly instructions

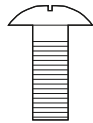
Read all instructions BEFORE assembly and USE of product.  
KEEP INSTRUCTIONS FOR FUTURE USE.



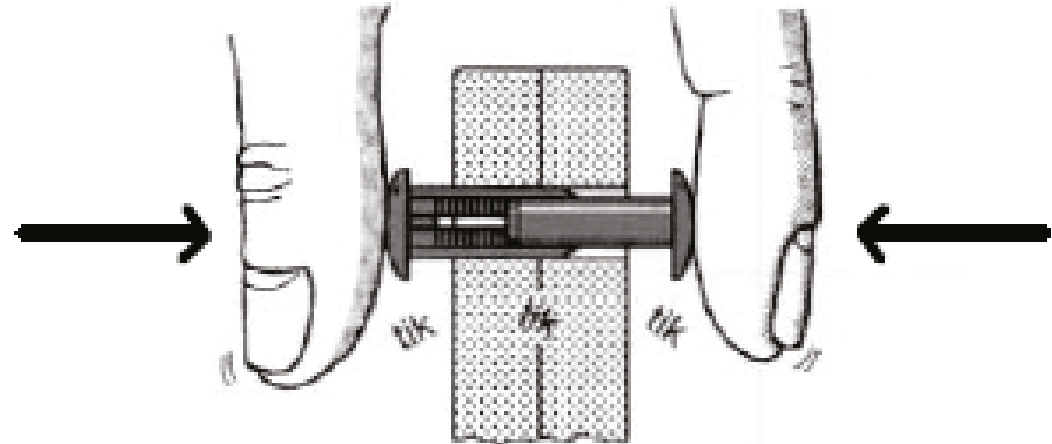
Open hole fitting A x 6



Open hole fitting B x 4



Open hole  
fitting screw x10



**EN:** To prevent your baby's fingers to get trapped in gaps or open holes, please make use of the open hole fittings included in the package. Always after assembling or reassembling the cot, fix the open hole fittings, part A, in all holes that remain open on the sides of the cot, and part B in the mattress base.

The open hole fittings are easily installed. Just insert the "screw" from one side of the hole and the "nut" from the other side, and press them together using your fingers.

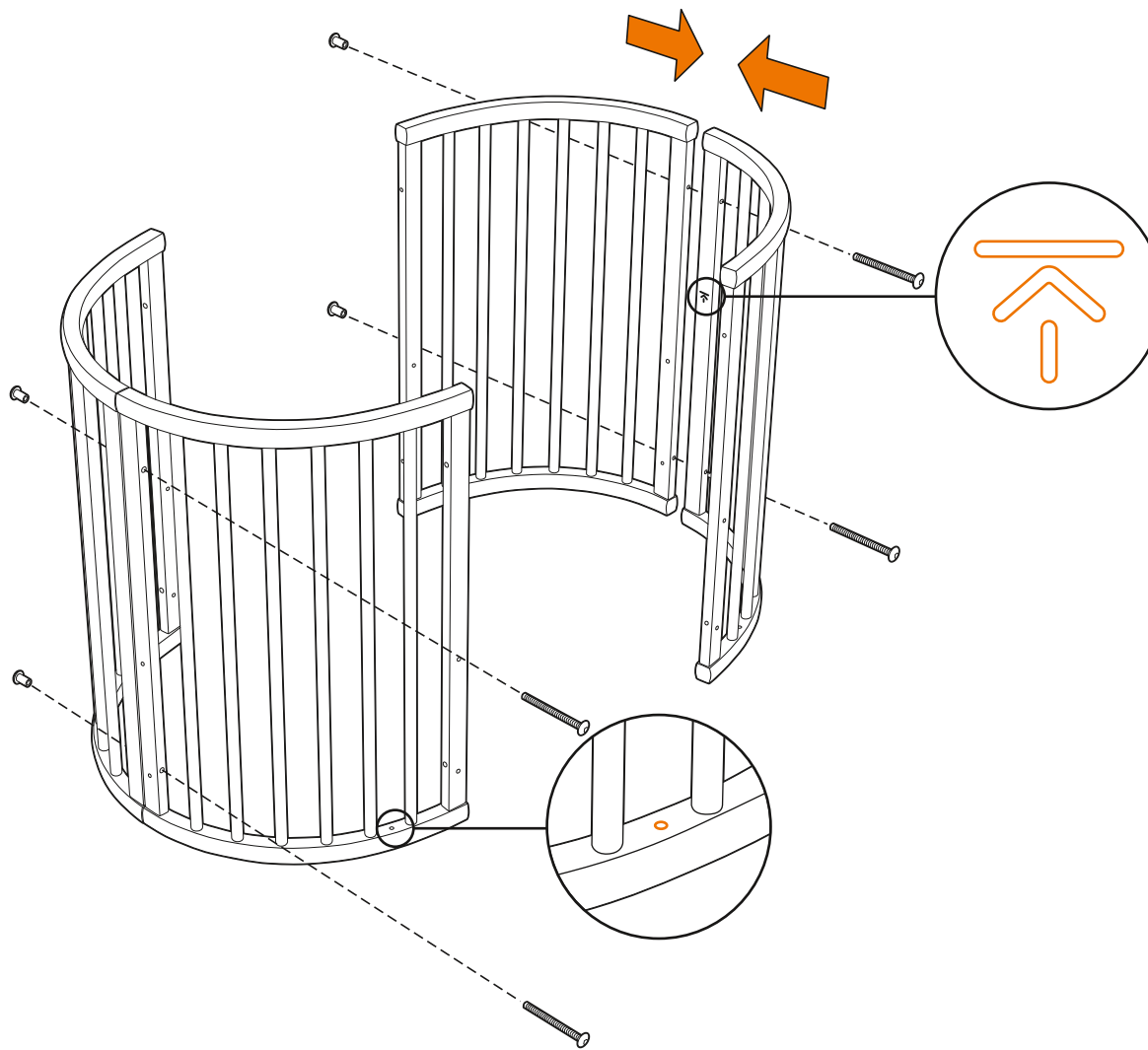
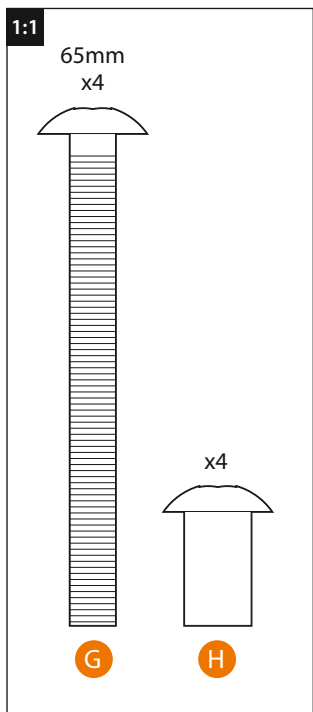
To remove the open hole fittings, use two coins/screwdrivers. Screw from each side at the same time in opposite directions.

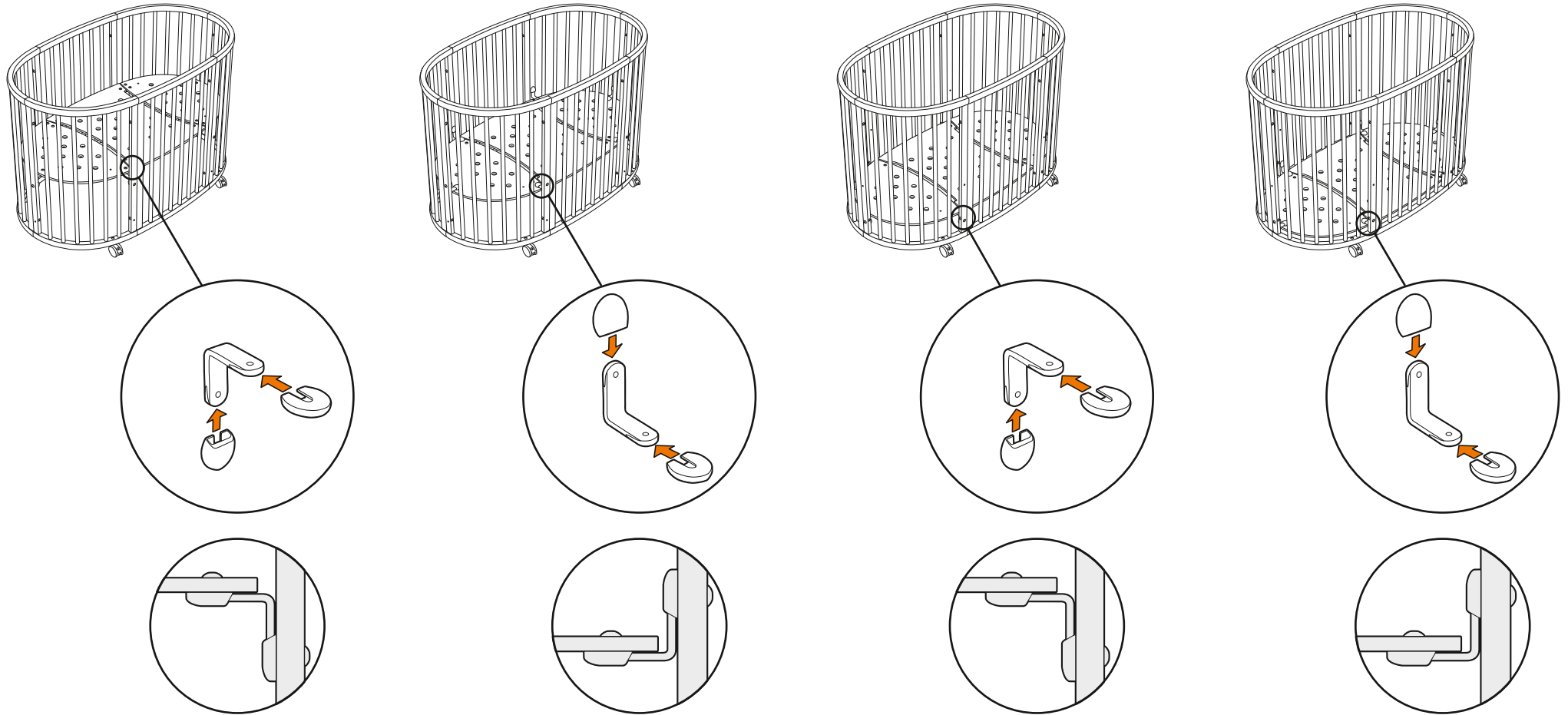
**FR:** To prevent your baby's fingers to get trapped in gaps or open holes, please make use of the open hole fittings included in the package. Always after assembling or reassembling the cot, fix the open hole fittings, part A, in all holes that remain open on the sides of the cot, and part B in the mattress base.

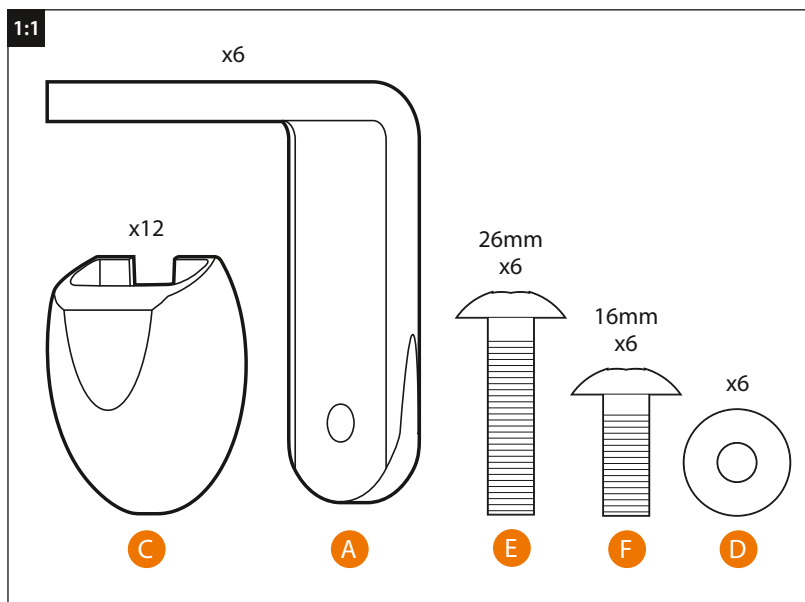
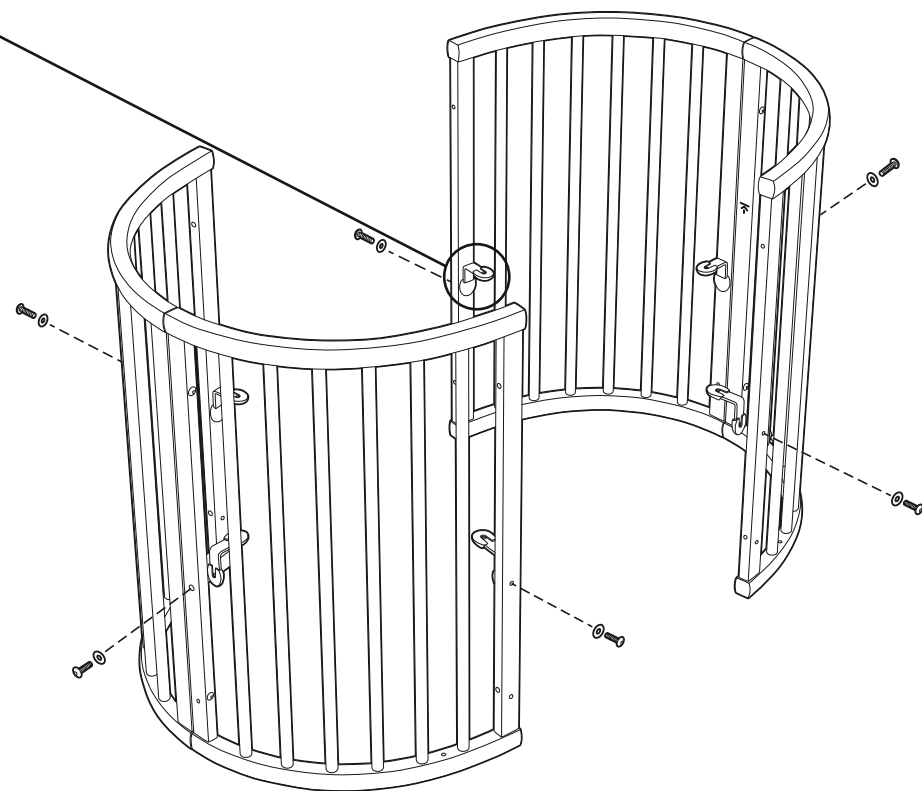
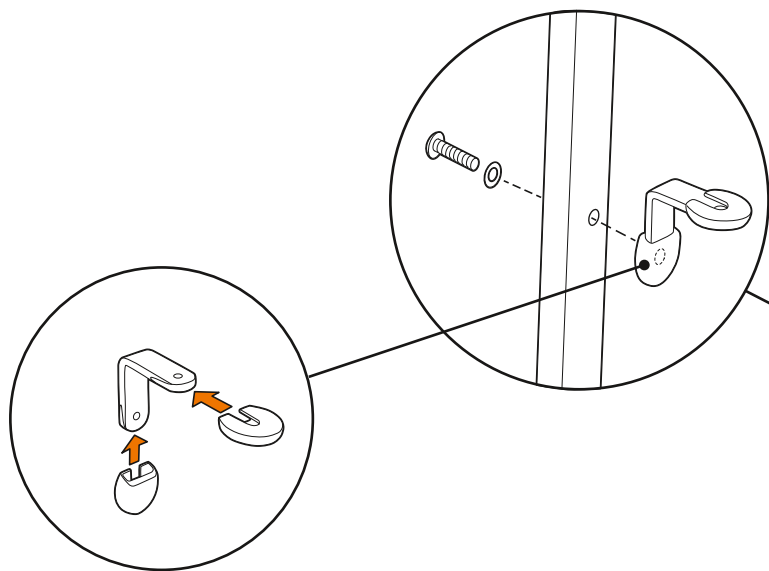
The open hole fittings are easily installed. Just insert the "screw" from one side of the hole and the "nut" from the other side, and press them together using your fingers.

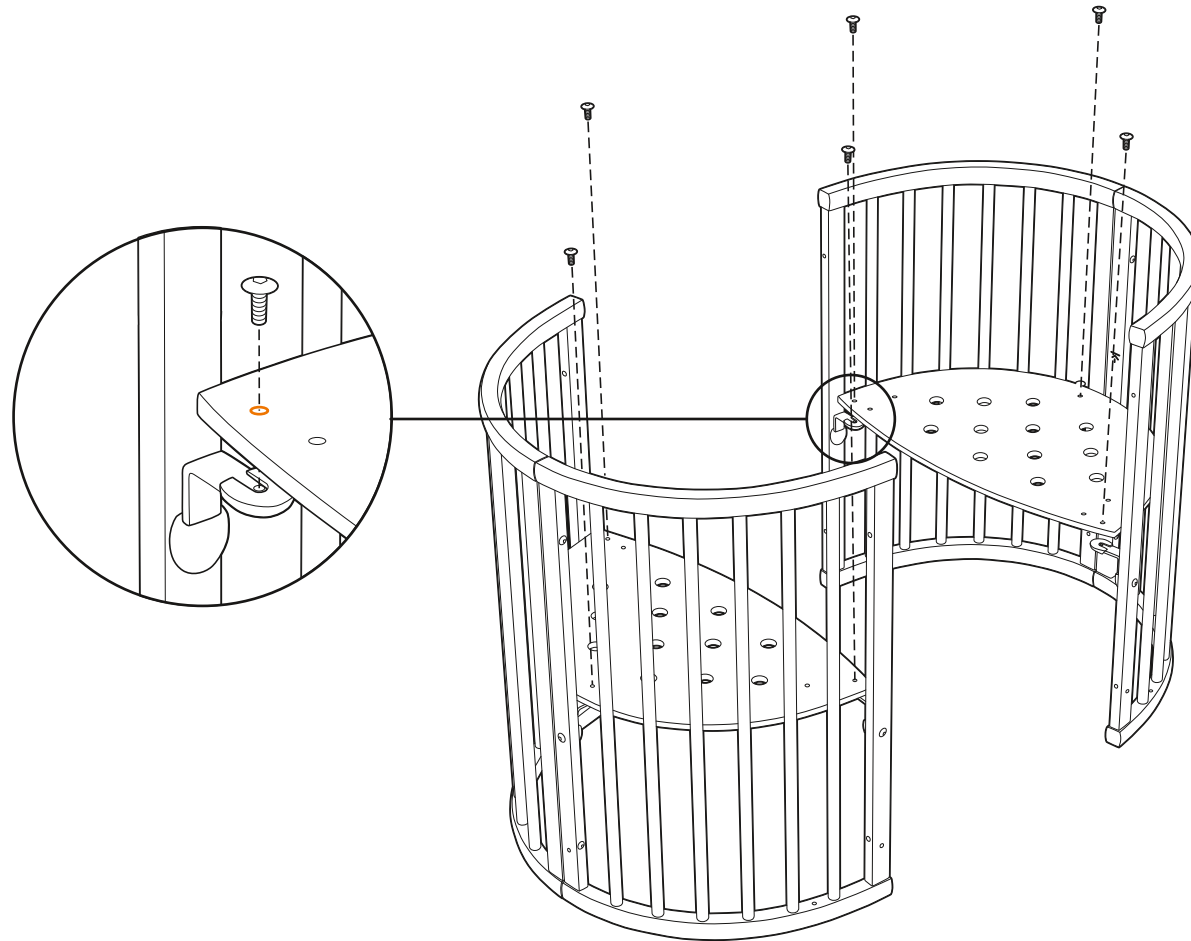
To remove the open hole fittings, use two coins/screwdrivers. Screw from each side at the same time in opposite directions.

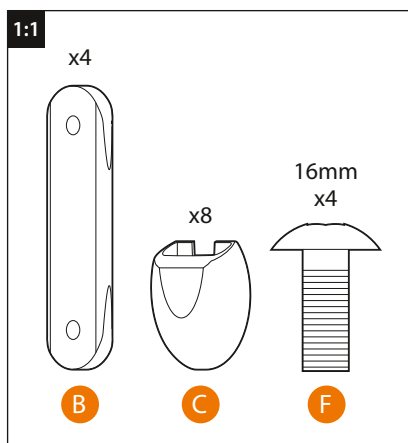
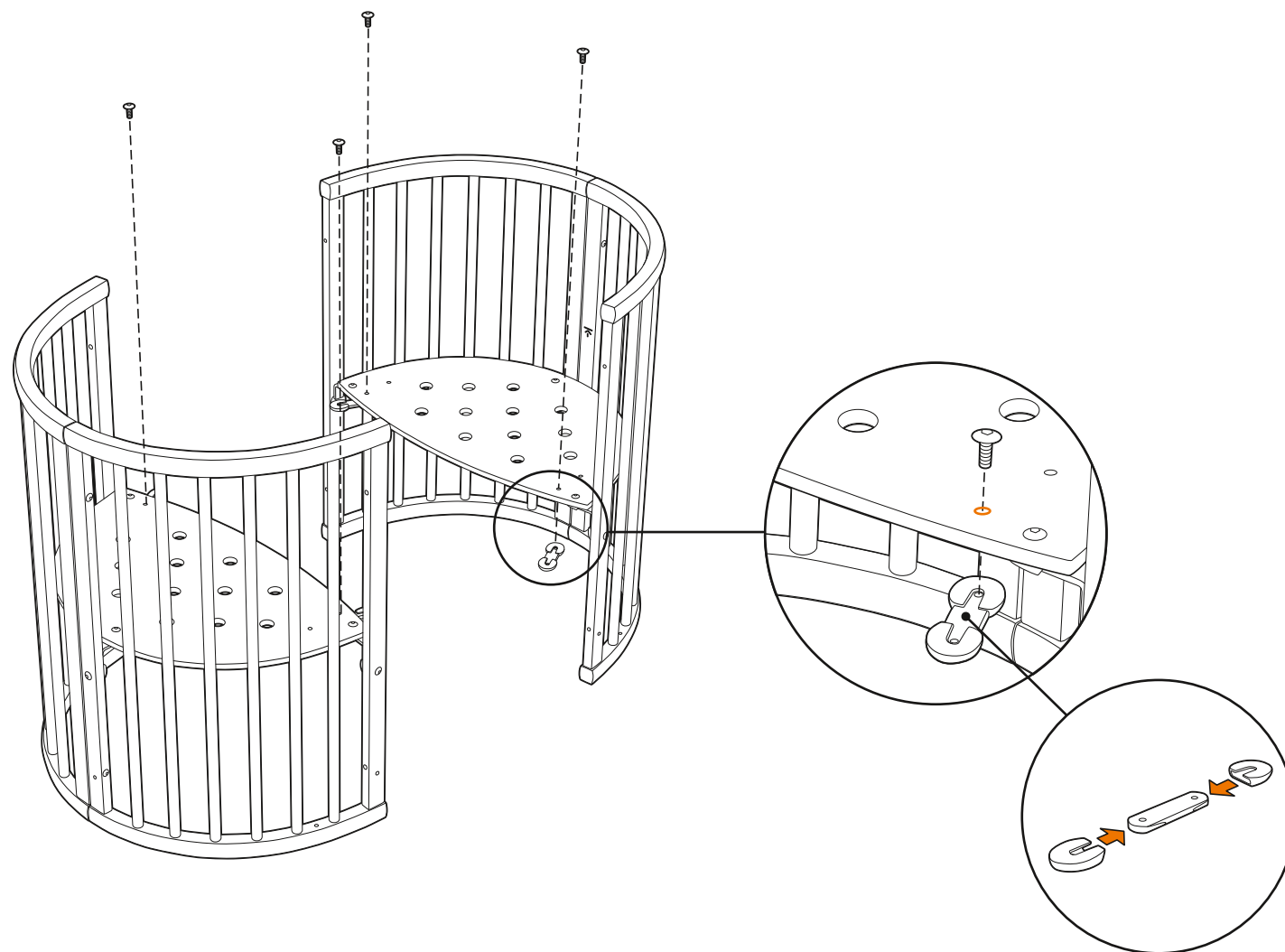


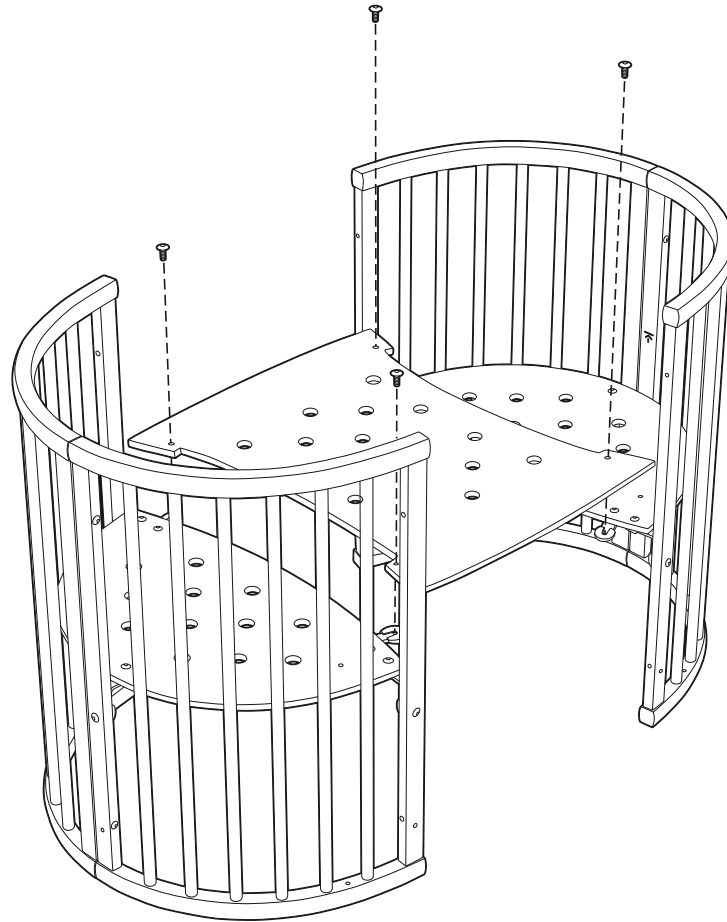






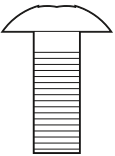




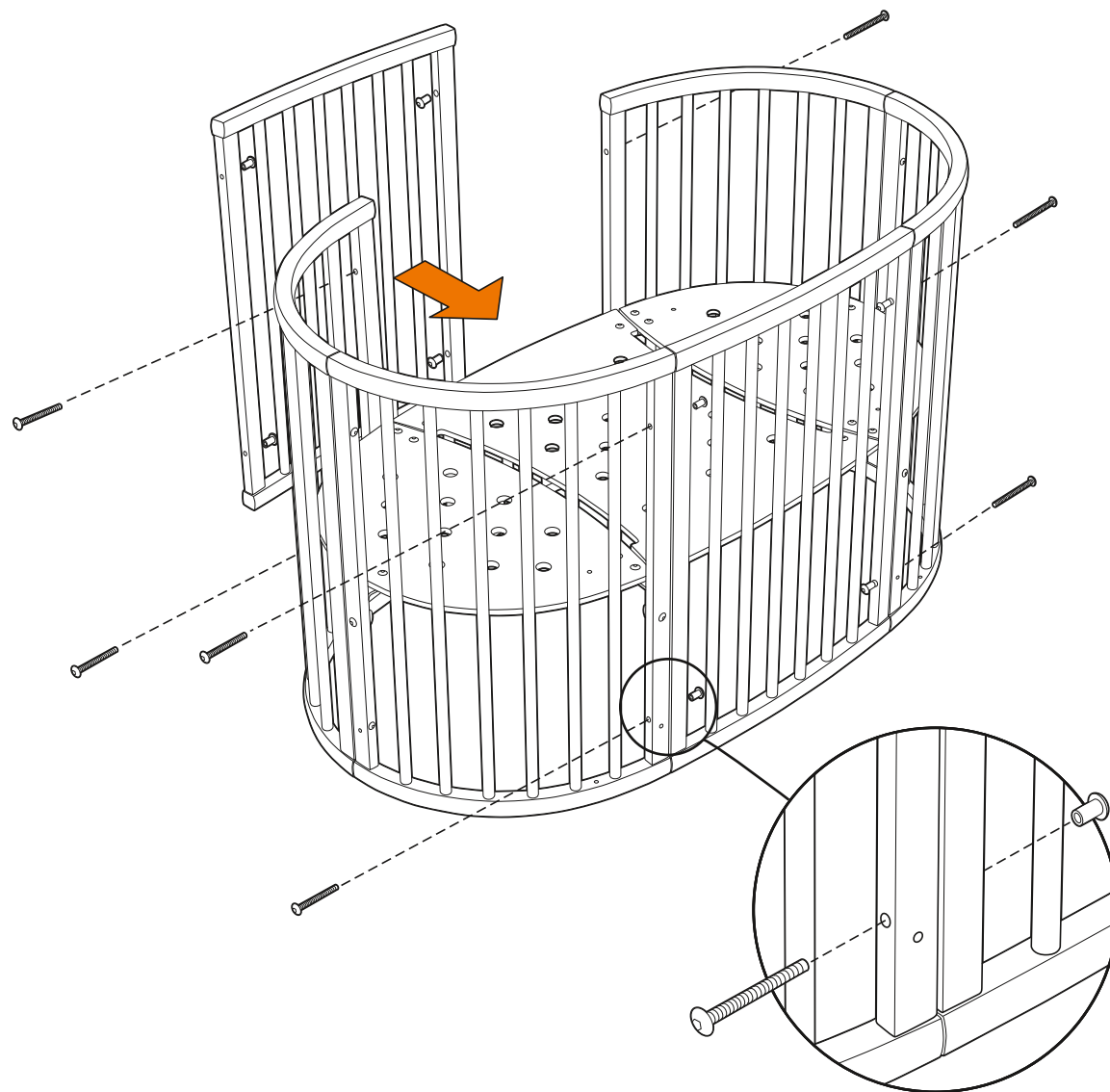
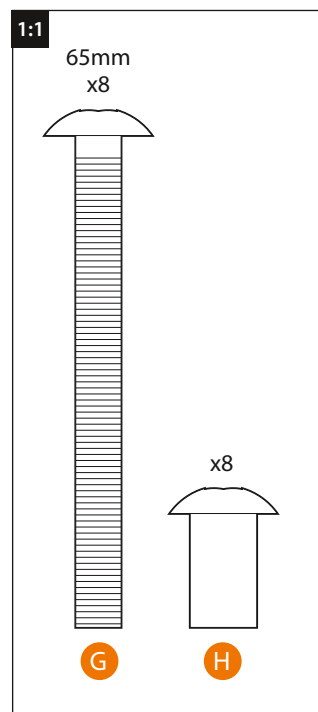


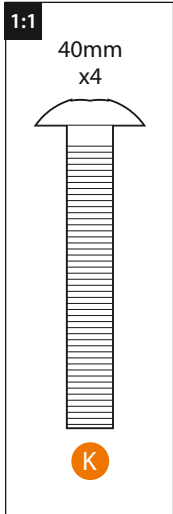
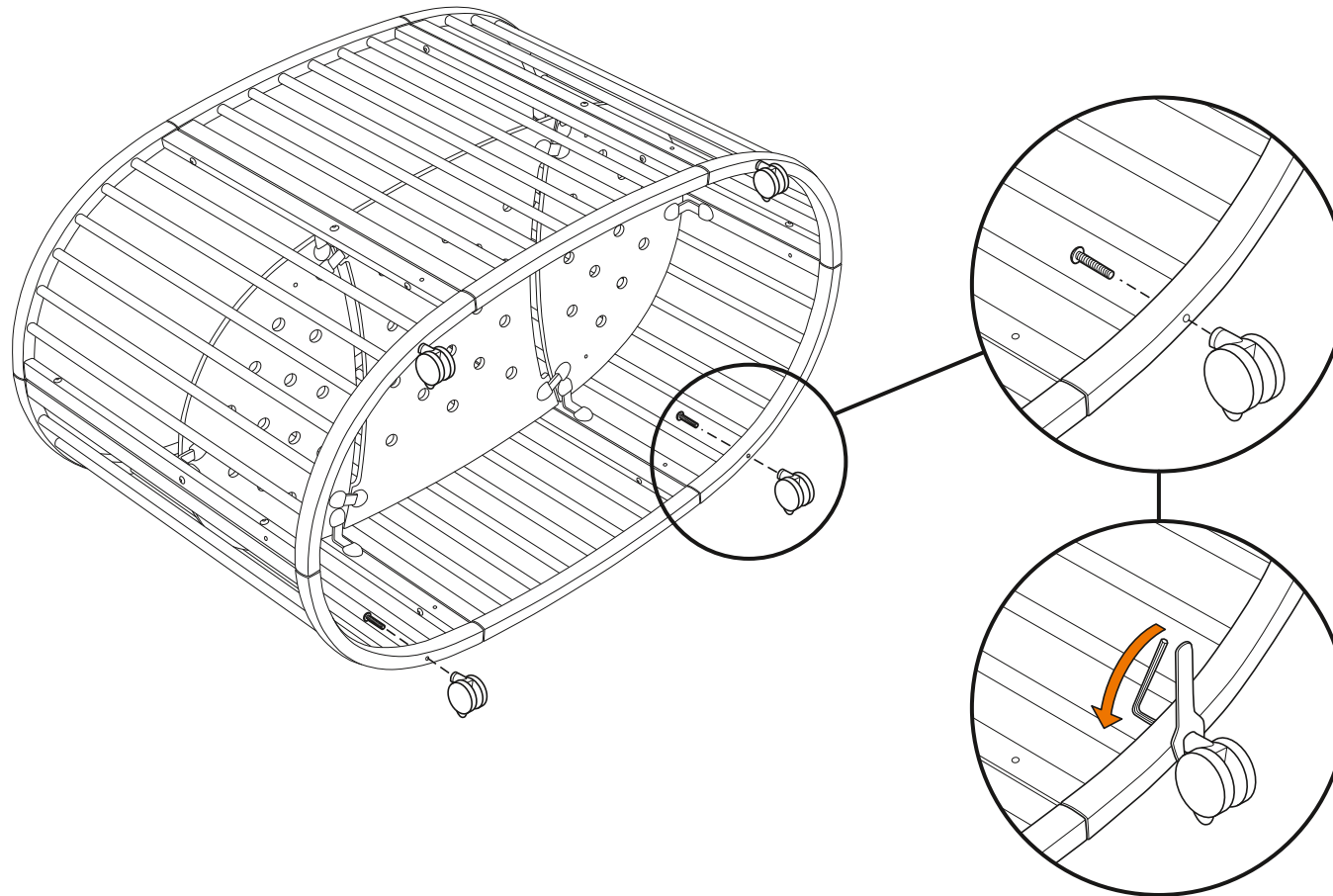
1:1

16mm  
x4

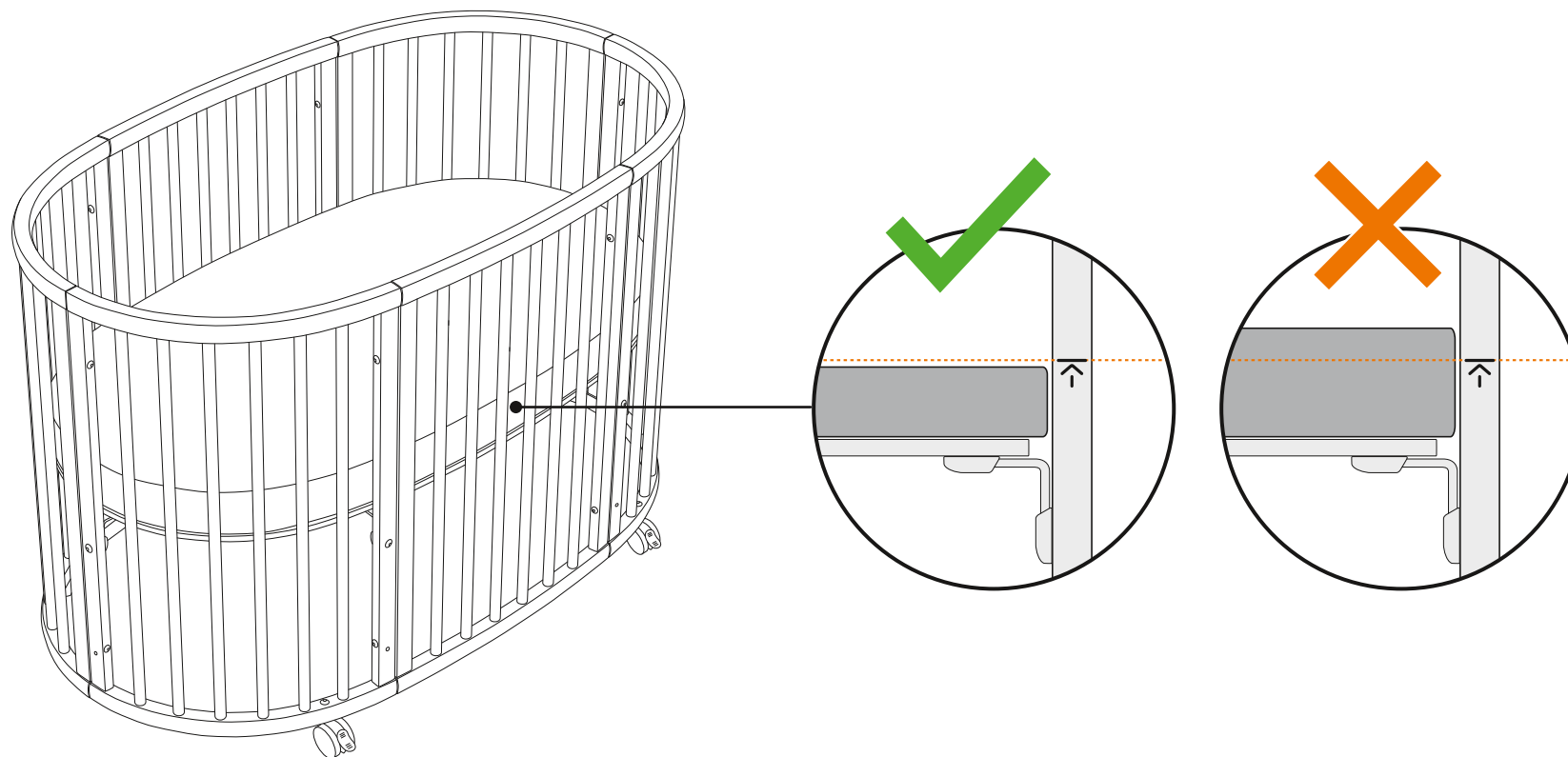


F









# STOKKE® SLEEPI™ JUNIOR EXTENSION

AE طقم التوسيع للصغار

BG Комплект за легло „Джуниър“

CN Simpl. 加长套件

CN Trad. 加长套件

CZ Prodlužovací sada Junior

DE Umbausatz zum Junior Bett

DK Junior Extension Kit

EE Pikenduskomplekt suuremale lapsele

ES Kit de Extensión Junior

FI Junior-jatkopalasetti

FR Kit extension Junior

GR Εργαλειοσύνολο επέκτασης σε παιδικό κρεβάτι

HR Komplet za proširenje Junior

HU Junior bővítőkészlet

IT Kit Estensione Junior

JP ジュニアベッドキット

KR 주니어 확장 키트

LT Lovos ilginimo paaugusiam vaikui rinkinys

LV Junior pagarināšanas komplekts

NL Junior uitbreidingset

NO Junior Extension Kit

PL Rozszerzenie Junior

PT Kit de Extensão Júnior

RO Kit extensie junior

RS Junior komplet za proširenje

RU Комплект для удлинения Junior

SE Junior Extension Kit

SI Komplet za podaljšanje ležišča otroške posteljice (Junior)

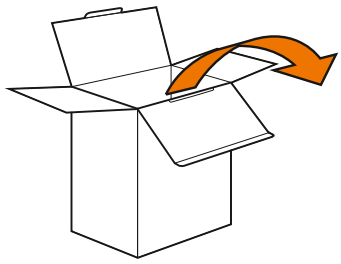
SK Rozširujúca súprava Junior

TR Junior Büyütme Kiti

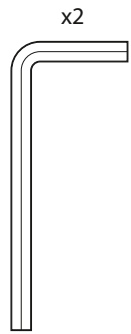
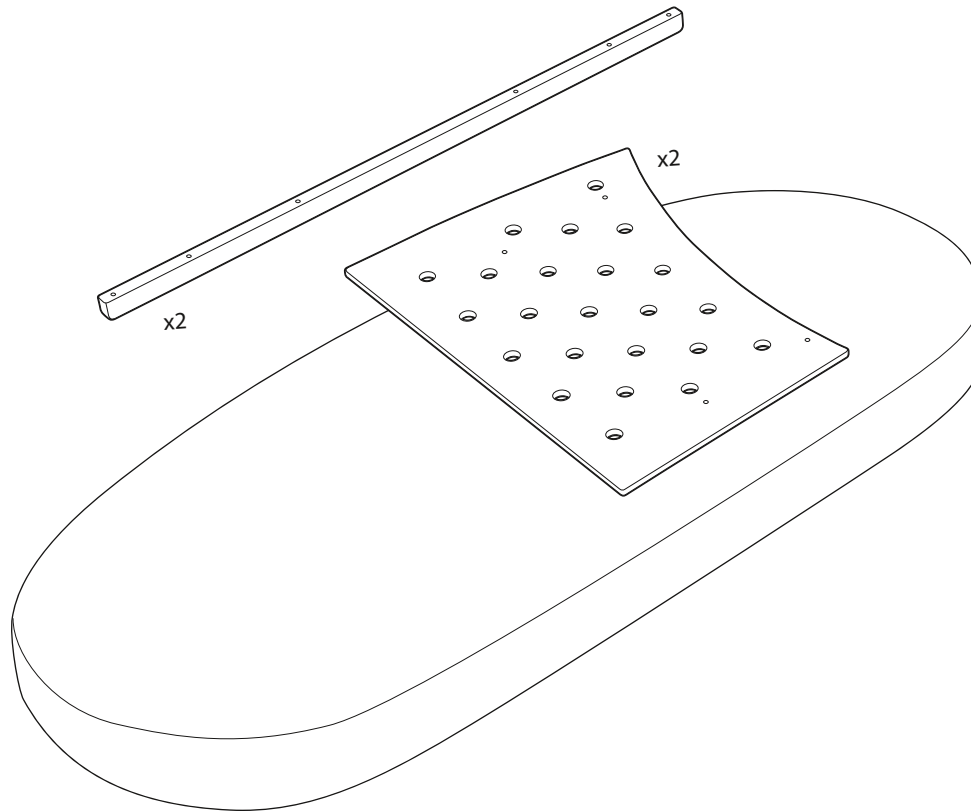
UA Комплект для збільшення Junior



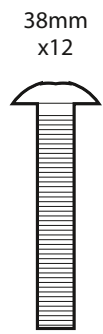
# ITEMS INCLUDED



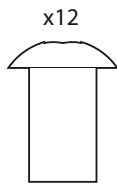
AE العناصر المُضمَّنة BG Включени части CN Simpl. 内含物品 CN Trad. 內含物品 CZ Zahrnuté položky DE Packungsinhalt DK Medfølgende dele EE Komplektis sisalduvad ES Objetos incluidos FI Toimitussisältö FR Articles inclus GR Αντικείμενα περιεχομένων HR Dijelovi u kompletu HU Tartozékok IT Articoli inclusi JP 同梱品 KR 포함 품목 LT Sudedamosios dalys LV Iekārtas punkti NL Meegeleverde onderdelen NO Deler som følger med PL Elementy zestawu PT Peças incluídas RO Articole incluse RS Uključeni delovi RU Комплект поставки SE Medföljande delar SI Vključeno v paketu SK Obsiahnuté položky TR Ürünle birlikte gelen parçalar UA До складу входять



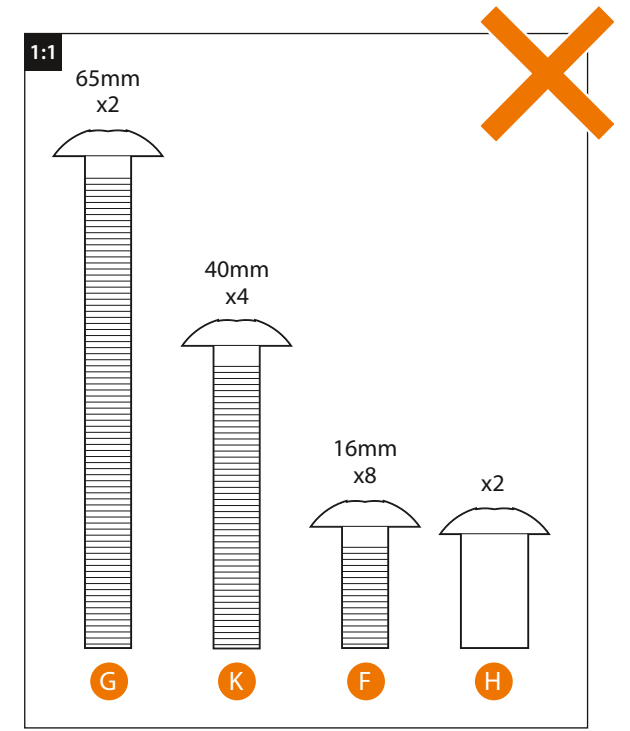
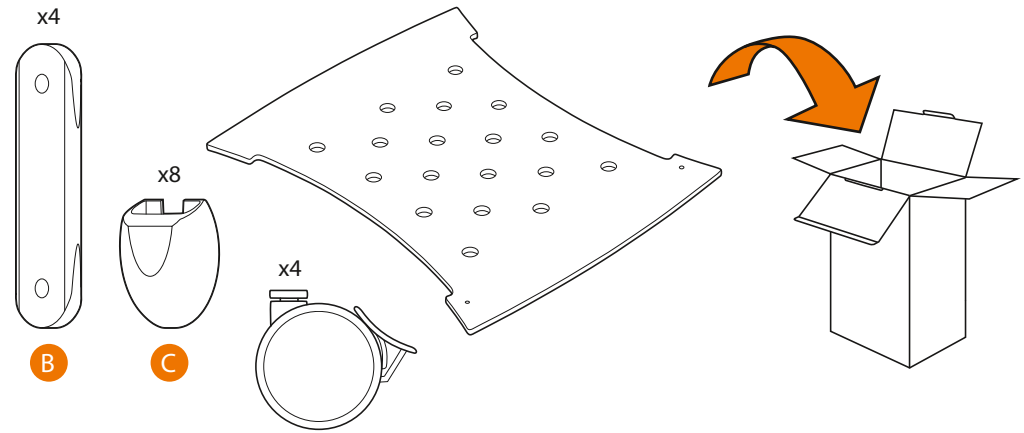
J

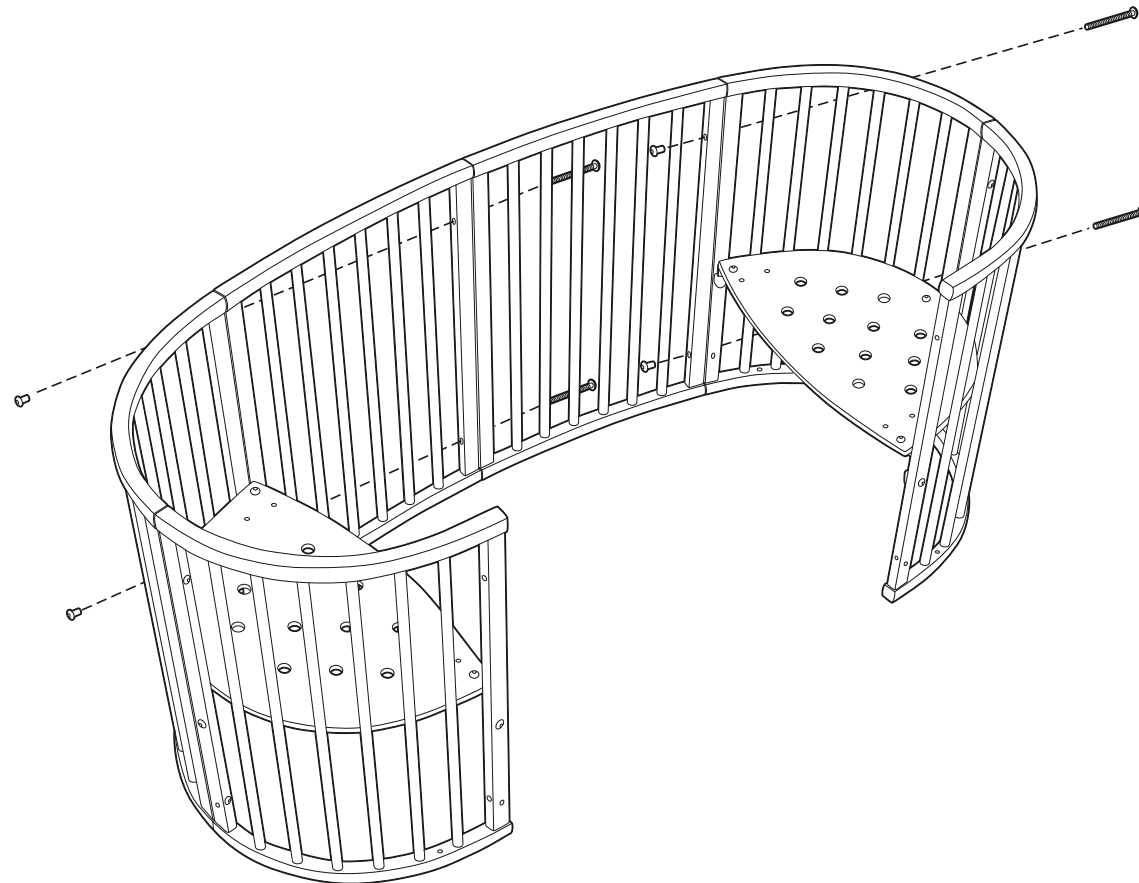
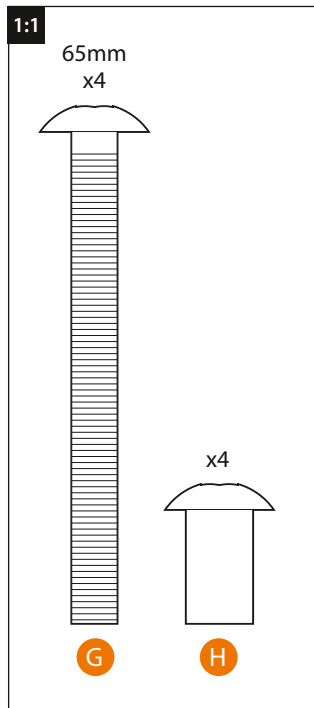


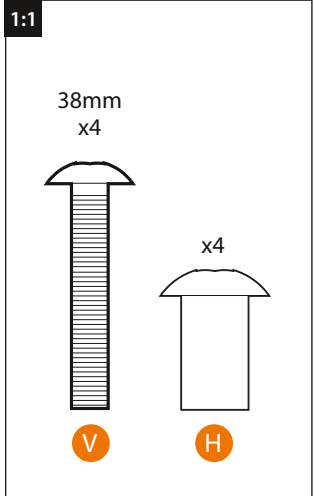
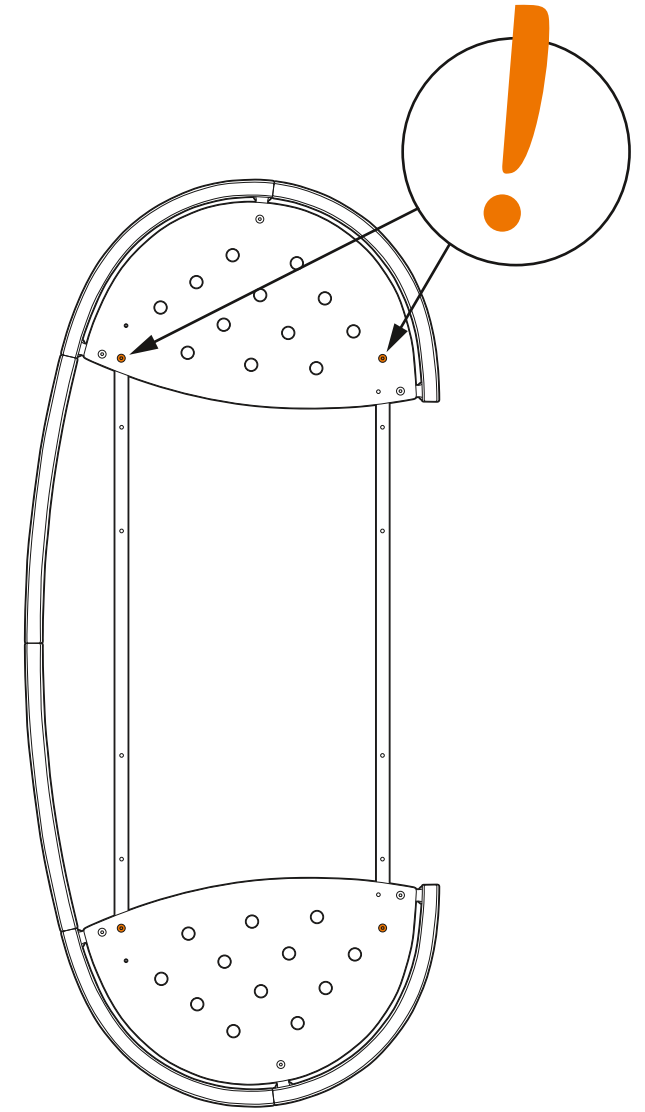
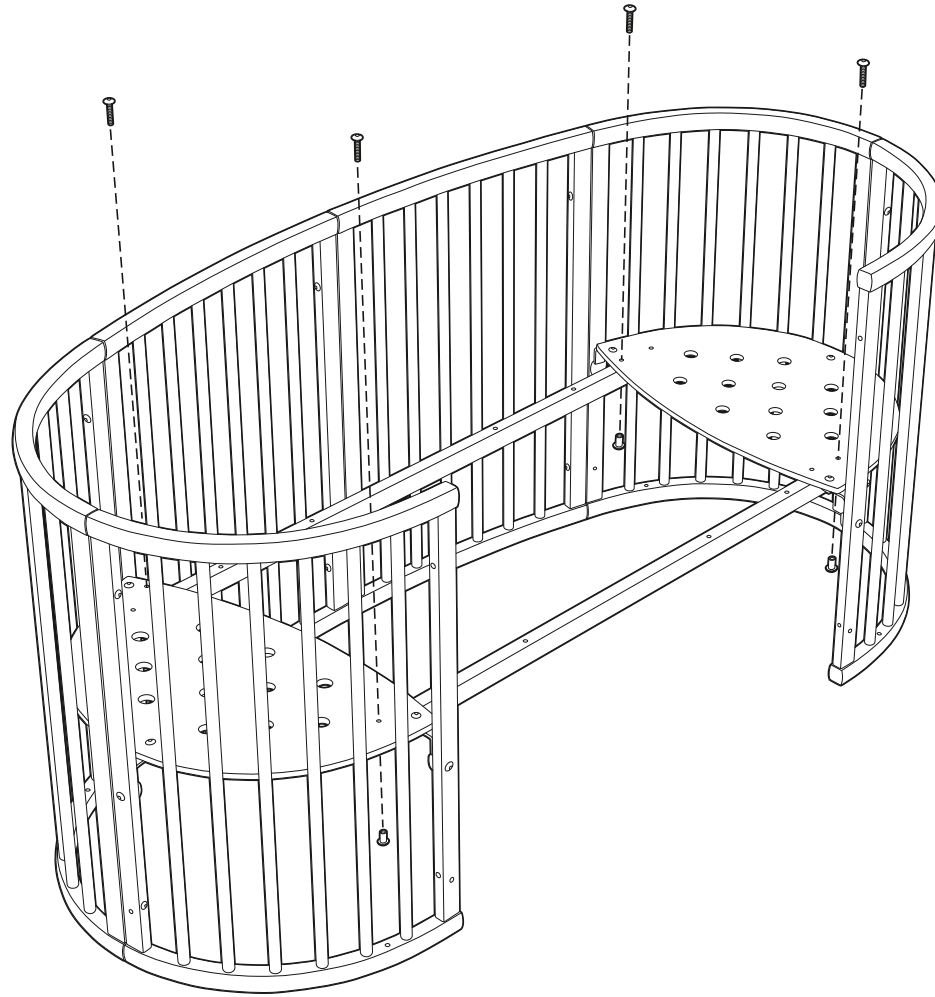
V

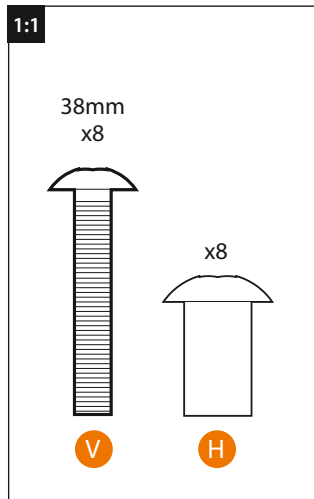
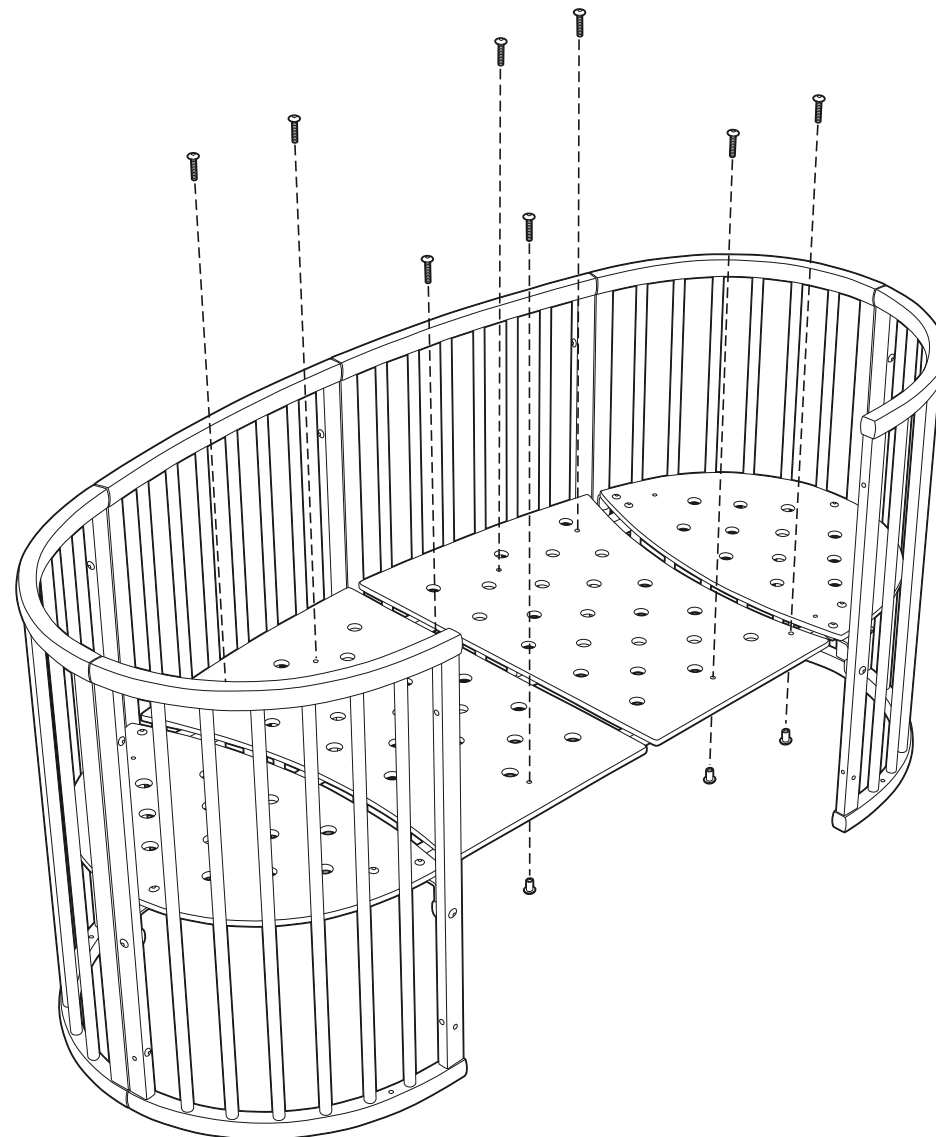


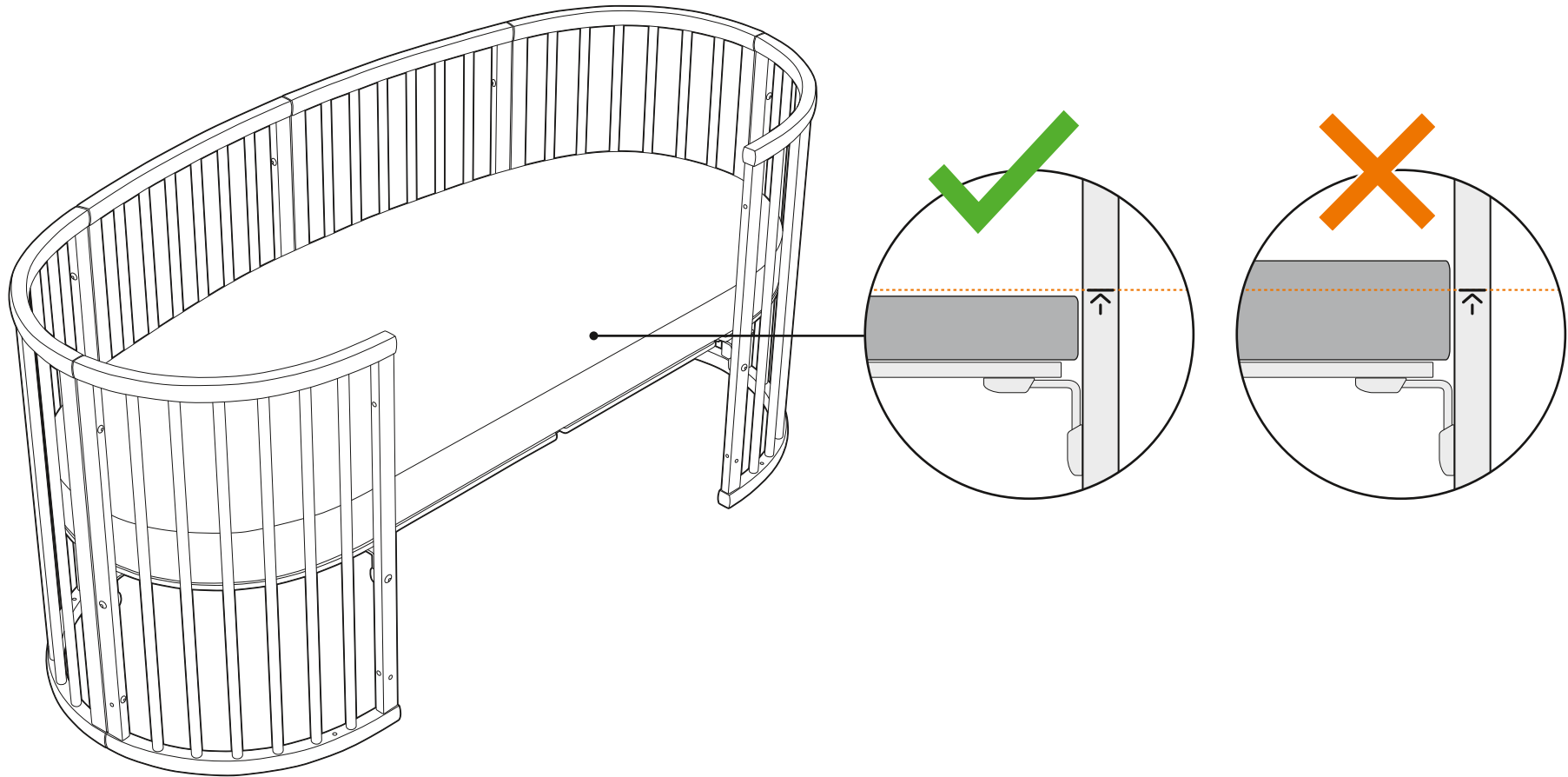
H







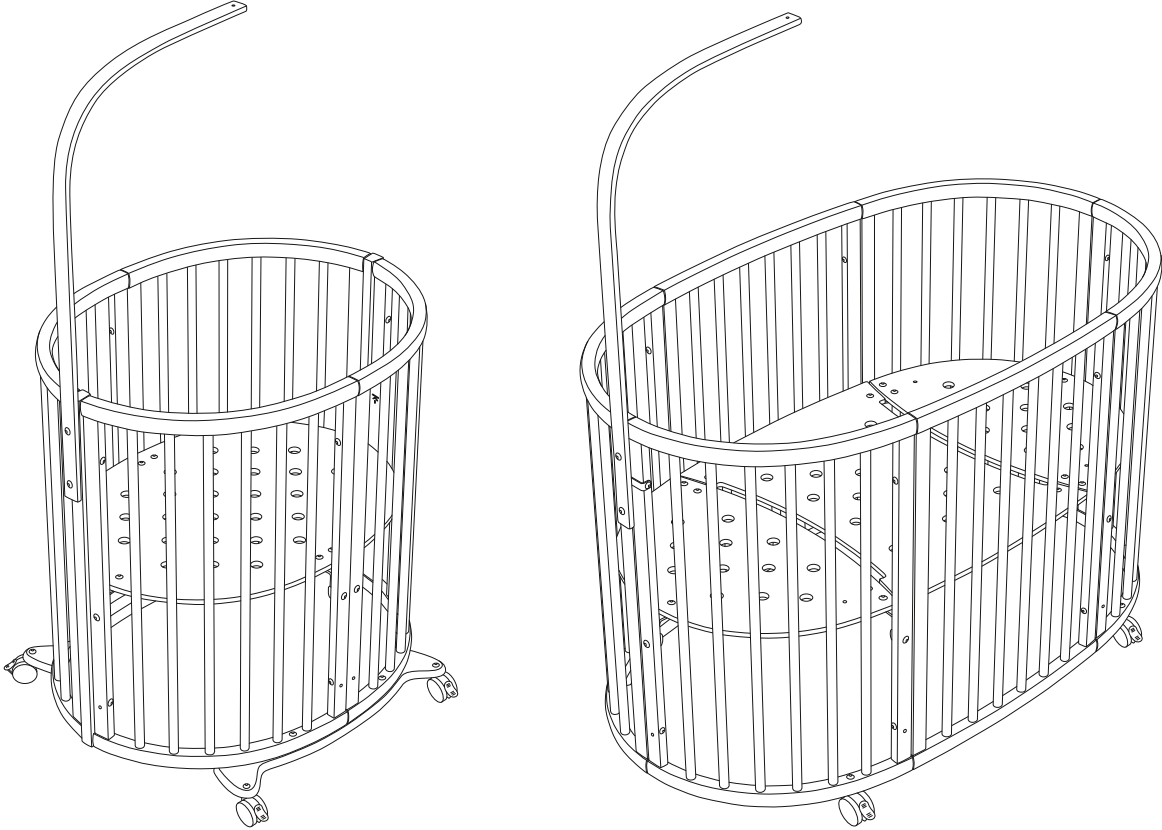




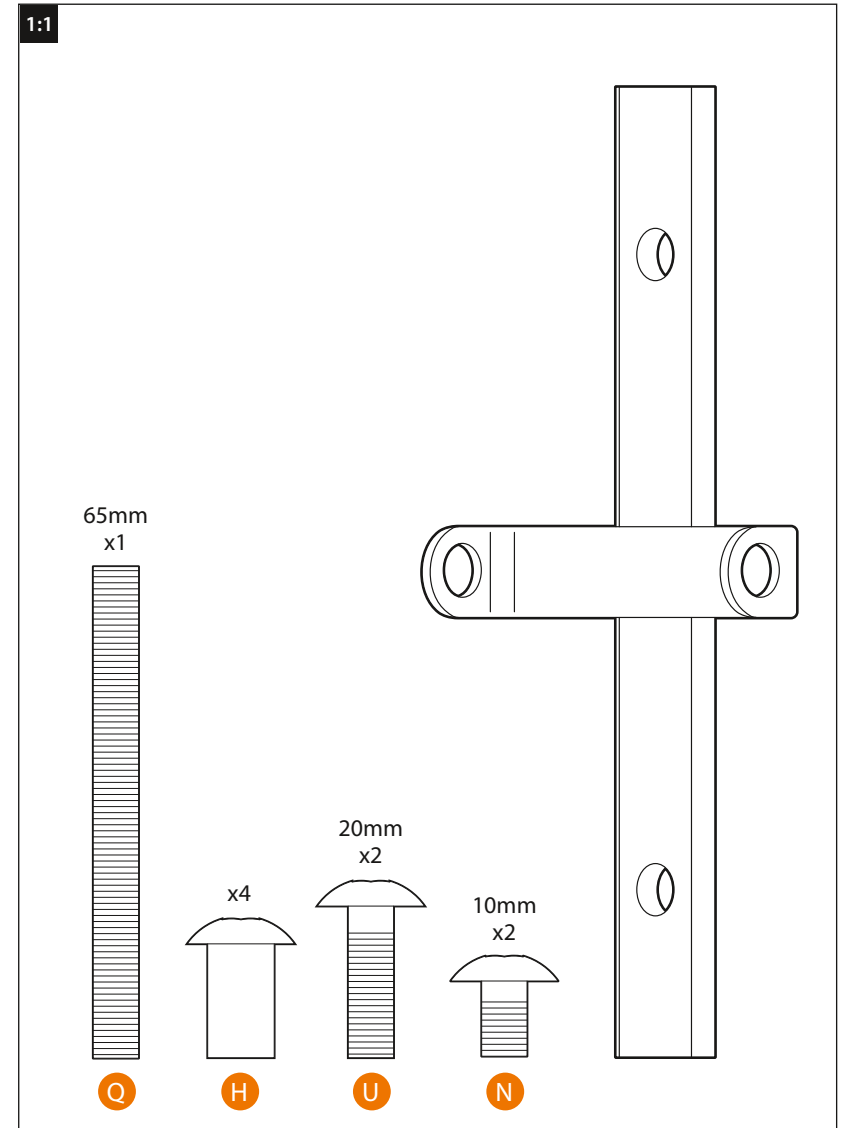
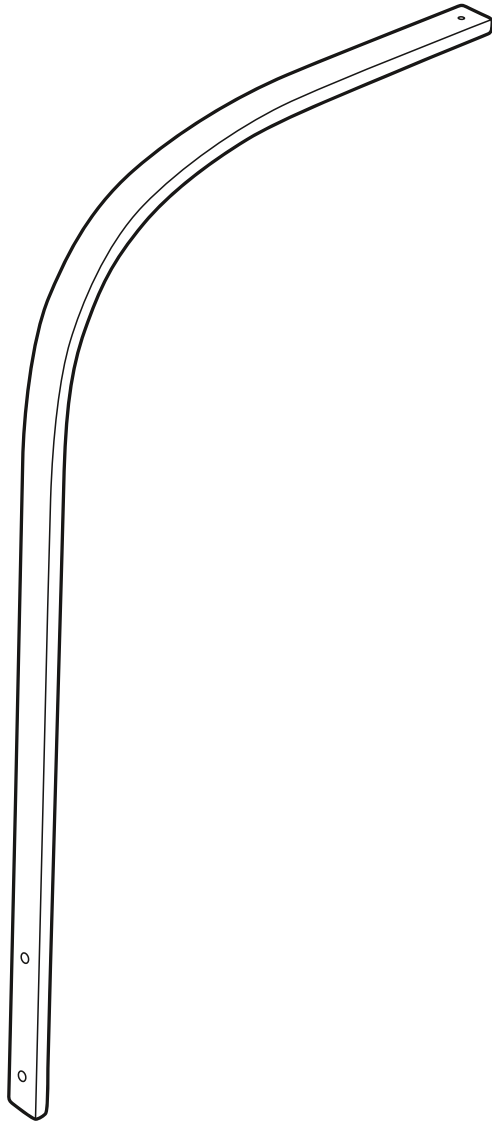
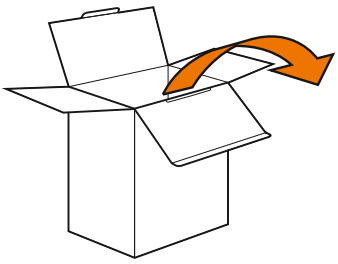


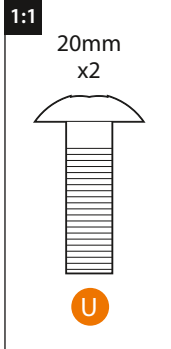
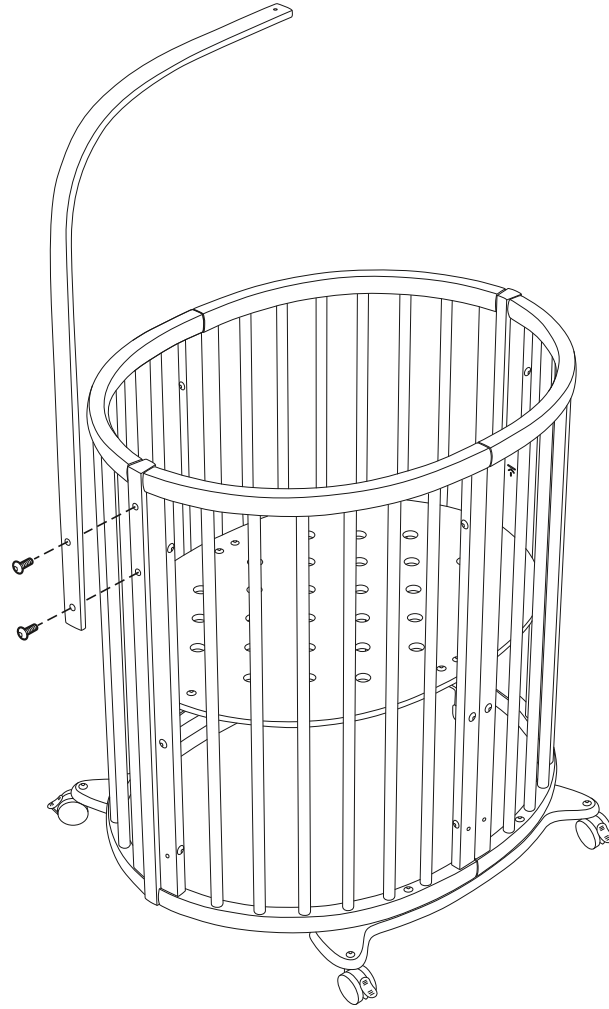


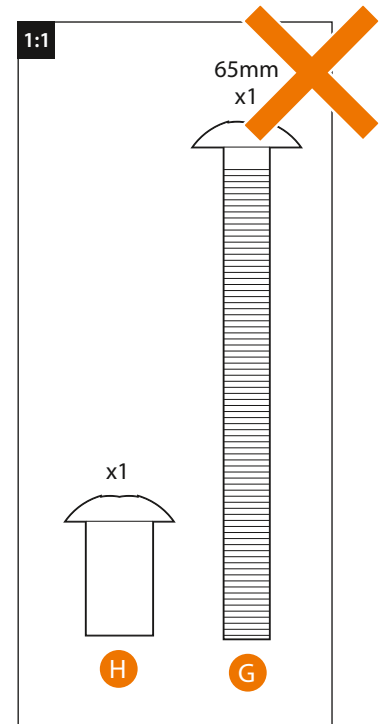
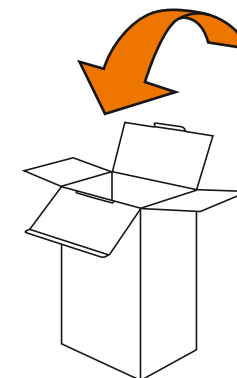
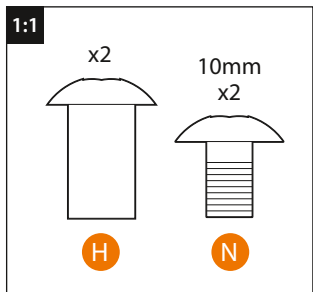
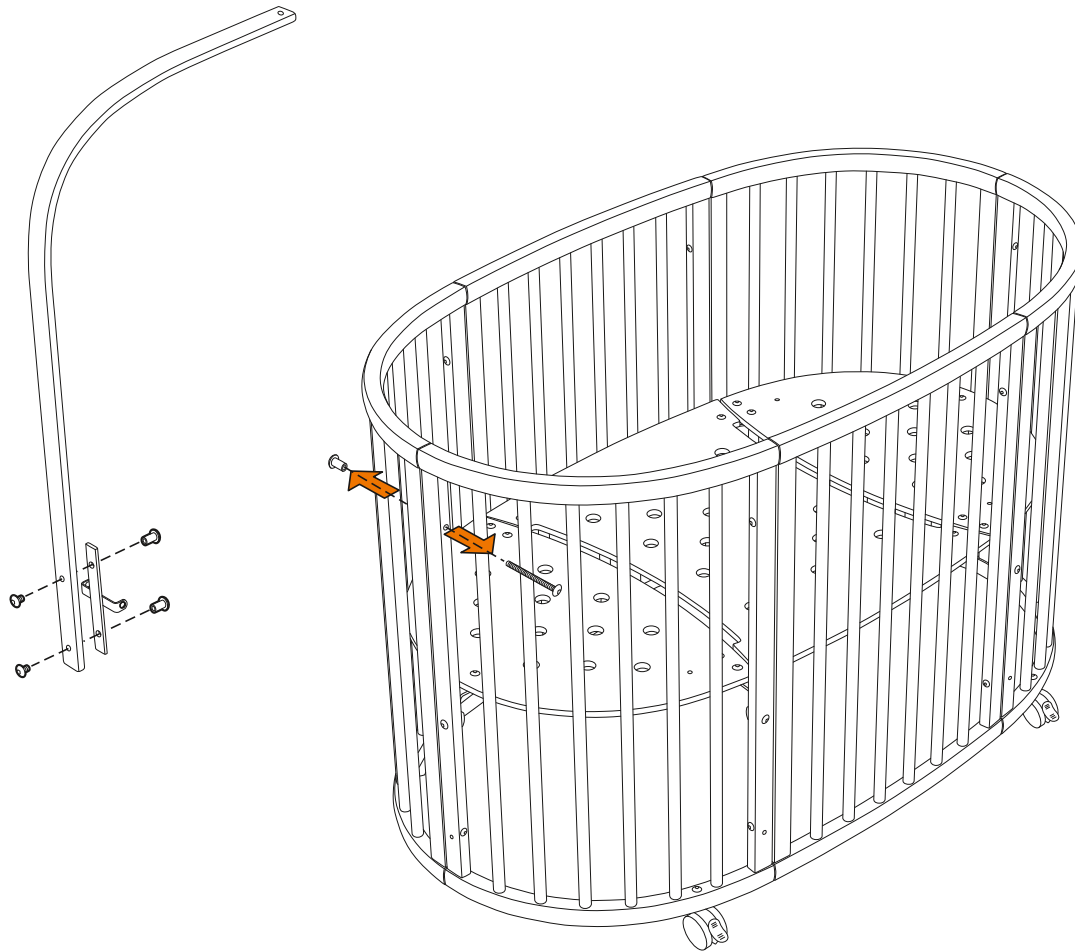
STOKKE® **SLEEP**I™  
DRAPE ROD ACCESSORY KIT

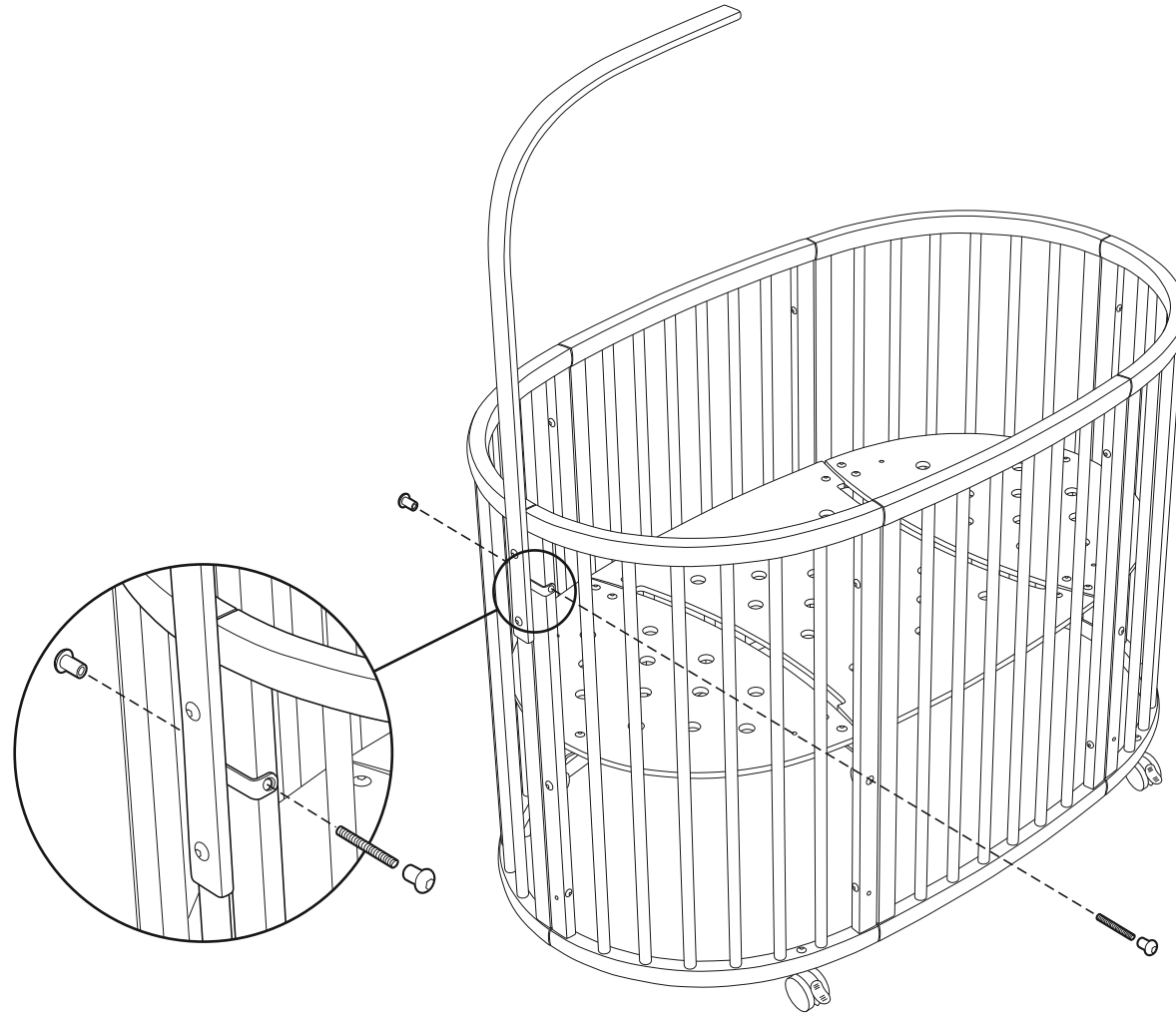
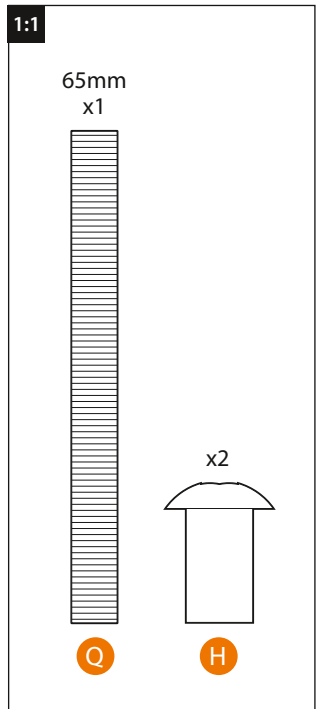


AE العناصر المُضمنة BG Включени части CN Simpl. 内含物品 CN Trad. 内含物品 CZ Zahnuté položky DE Packungsinhalt DK Medfølgende dele EE Komplektis sisalduvad ES Objetos incluidos FI Toimitussisältö FR Articles inclus GR Αντικείμενα περιεχομένων HR Dijelovi u kompletu HU Tartozékok IT Articoli inclusi JP 同梱品 KR 포함 품목 LT Sudedamosios dalys LV Iekārtas punkti NL Meegeleverde onderdelen NO Deler som følger med PL Elementy zestawu PT Peças incluídas RO Articole incluse RS Uključeni delovi RU Комплект поставки SE Medföljande delar SI Vključeno v paketu SK Obsiahnuté položky TR Ürünle birlikte gelen parçalar UA До складу входять











# GB/IE IMPORTANT, RETAIN FOR FUTURE REFERENCE. READ CAREFULLY!

## Congratulations with your new STOKKE® SLEEPi™!

With Stokke® Sleepi™ you have a bed that can be used from birth and it grows with your child.

### Stokke® Sleepi™ Mini

- When a child is able to sit, kneel or to pull itself up, the Mini shall not be used anymore for this child.
- Make sure that the distance from the mattress to the top of the Mini is never less than 20 cm. You will have no problems if the original mattress from STOKKE is used.
- Do not let other children play unsupervised near the Mini.
- Make sure the Mini is locked in a fixed position when a child is unsupervised in it.

### Stokke® Sleepi™ Bed

- The cot base height can be adjusted at all four basic heights. Make sure that the distance from the mattress to the top of the cot is never less than 30 cm in the highest position and 50 cm in the lowest position. This level is marked at the cot end (↔). You will have no problems if the original mattress from STOKKE is used.

- The lowest position of the cot base is always the safest. As soon as the baby can sit up or pull itself up, the cot base must be lowered.
- Make sure to keep medication, string, elastic, small toys or small items such as money out of reach from any position in the cot.
- To prevent injuries from falls when your child can climb in and out of the bed by itself, you shall no longer use the Sleepi™ Bed as a cot. You can consider removing one side of the cot and adjust the cot base to the lowest position. This way your child can climb safely in and out of the cot by itself. If you do this it is important to remove the wheels.

### Cleaning and maintenance

**MATTRESS:** Mattress cover: Washable at 60°C. Stretch while wet. Do not use tumble drier.

**Foam:** Can be heat treated in 60°C and washed/flushed in hot water. After a pee accident, the mattress should always be washed; pee is excellent growth media for fungi.

**WOOD:** Wipe with a clean damp cloth, wipe off excess of water. We do not recommend any use of detergent. Colours may change if they are exposed to the sun.

**NORMAL USE:** Always remove the duvet in the morning and let the bed and duvet “cool down” and dry up.

### Recommended mattress size

This cot has been manufactured for use with a mattress which measures 677 mm wide by 1210 mm long and 80 mm in thickness for Sleepi and 573 mm wide by 733 mm long and 80 mm in thickness for Mini and have the shape of the cot/mini-cot. The width and length are specified because it is important that the gaps between the mattress and the sides and ends of the cot will not exceed 30 mm. This is to minimize the risk of a child's limb becoming caught in the gap. The thickness of the mattress has been specified to ensure that the depth of the cot is greater than 500 mm with the mattress base in the lower position to minimize the risk of a child climbing or falling out of the cot.

### Information about your new mattress

- **INSTRUCTIONS FOR USE:** Hold the zipper end with one hand. As the zipper puller is sewn on inside, use the other hand to open the zipper from mesh side.

## ⚠ WARNING

Read these instructions carefully and follow them in detail to ensure that the safety features of the Mini and cot are not compromised. Keep these instructions for later use. Save the Allen key for later use. Re-tighten all screws 2-3 weeks after assembly.

- When assembling the Mini or cot do not tighten the screws until the whole unit is assembled. Doing this ensures you the easiest way to assemble.
- Make sure the Mini or cot is placed on a level and stable surface. After assembly, check and tighten all fittings and screws. Fittings and screws should be checked regularly and retightened as necessary. Loose screw

- connections or parts could lead to the baby trapping a body part, or clothing (e.g. strings, necklaces, ribbons for babies' dummies, etc.) which would pose a risk of strangulation.
- Never place the Mini or cot by an open fire or sources of strong heat such as electric bar fires, gas fires, etc. due to the risk of fire.
- Do not use the Mini or cot if any part is broken, torn or missing, and use only spareparts approved by STOKKE®.

- Do not use any accessories or replacement parts not manufactured by STOKKE, this may affect your child's safety.
- Do not leave anything in the cot or place the cot close to another product, which could provide a foothold or present danger of suffocation or strangulation, e.g. strings, blind/curtain cords etc.
- Do not use more than one mattress in the cot.

## Right of complaint and Extended Warranty

Applicable worldwide in respect of the Stokke® Sleepi™, hereinafter referred to as the product.

### RIGHT OF COMPLAINT

The customer has a right of complaint pursuant to the consumer protection legislation applicable at any given time, which legislation may vary from country to country. Generally speaking, STOKKE AS does not grant any additional rights over and above those laid down by the legislation applicable at any given time, although reference is made to the “Extended Warranty” described below. The rights of the customer under the consumer protection legislation applicable at any given time are additional to those under the “Extended Warranty”, and are not affected thereby.

### STOKKE® “EXTENDED WARRANTY”

However, STOKKE AS, Parkgata 6, N-6003 Ålesund, Norway, grants an “Extended Warranty” to customers who register their product in our Warranty Database. This may be done via our web page [www.stokkewarranty.com](http://www.stokkewarranty.com). Upon registration, a warranty certificate will be issued and sent to the customer electronically (e-mail) or by ordinary mail.

Registration in the Warranty Database entitles the owner to an “Extended Warranty” as follows:

- **7-year warranty** against any manufacturing defect in the product.

The “Extended Warranty” also applies if the product has been received as a gift or purchased second-hand. Consequently, the “Extended Warranty” may be invoked by whoever is the owner of the product any given time, within the warranty period, and subject to the warranty certificate being presented by the owner.

### The STOKKE® “Extended Warranty” is conditional upon the following:

- Normal use.
- The product only having been used for the purpose for which the product is intended.
- The product having undergone ordinary maintenance, as described in the maintenance/instruction manual.
- Upon the “Extended Warranty” being invoked, the warranty certificate shall be presented, together with the original date-stamped purchase receipt. This also applies to any secondary or subsequent owner.
- The product appearing in its original state, hereunder that the only parts used have been supplied by STOKKE® and are intended for use on, or together with, the product. Any deviations here from require the prior written consent of STOKKE®.
- The serial number of the product not having been destroyed or removed.

### The STOKKE® “Extended Warranty” does not cover:

- Issues caused by normal developments in the parts making up the product (e.g. colouration changes, as well as wear and tear).
- Issues caused by minor variations in materials (e.g. colour differences between parts).

- Issues caused by extreme influence from external factors like sun/light, temperature, humidity, environmental pollution, etc.
- Damage caused by accidents/mishaps – for example any other objects having bumped into the product or any person having overturned the product by colliding with it. The same applies if the product has been overloaded, for example in terms of the weight placed on it.
- Damage inflicted on the product by external influence, for example when the product is being shipped as luggage.
- Consequential damage, for example damage inflicted on any persons and/or any other objects.
- If the product has been fitted with any accessories that have not been supplied by Stokke, the “Extended Warranty” shall lapse.
- The “Extended Warranty” shall not apply to any accessories that have been purchased or supplied together with the product, or at a subsequent date.

### STOKKE® will under the “Extended Warranty”:

- Replace or – if STOKKE® thus prefers – repair the defective part, or the product in its entirety (if necessary), provided that the product is delivered to a reseller.
- Cover normal transport costs for any replacement part/product from STOKKE® to the reseller from whom the product was purchased. – No travel costs on the part of the purchaser are covered under the terms of the warranty.
- Reserve the right to replace, at the time of the warranty being invoked, defect parts by parts that are of approximately the same design.

- Reserve the right to supply a replacement product in cases where the relevant product is no longer being manufactured at the time of the warranty being invoked. Such product shall be of corresponding quality and value.

### How to invoke the “Extended Warranty”:

Generally speaking, all requests relating to the “Extended Warranty” shall be made to the reseller from whom the product was purchased. Such request shall be made as soon as possible after any defect has been discovered, and shall be accompanied by the warranty certificate as well as the original purchase receipt. Documentation/evidence confirming the manufacturing defect shall be presented, normally by way of the product being brought along to the reseller, or otherwise being presented to the reseller or a STOKKE® sales representative for inspection. The defect will be remedied in accordance with the above provisions if the reseller or a STOKKE® sales representative determines that the damage is caused by a manufacturing defect.

EN 716:2017





# AE ملاحظة هامة! - احتفظ بالنشرة للرجوع إليها في المستقبل. إقرأها بعناية!

والطول نظراً لأنه من المهم ألا تزيد الفجوات بين المرتبة وجوانب وأطراف السرير عن ٣٠ مم. وهذا للحد من خطر احتباس أحد أطراف الطفل (الأيدي أو الأرجل) في هذه الفجوة. وقد تم تحديد سمك المرتبة بحيث يضمن ألا يزيد عمق المهد عن ٥٠٠ مم مع وجود قاعدة المرتبة في الوضع السفلي للحد من احتمال تسلق الطفل على المهد أو سقوطه منه.

## معلومات عن مرتبتك الجديدة

- تستعيد المرتبات المضغوطة شكلها الأصلي بعد مرور ٧٢ - ٩٦ ساعة.
- وتتصف رغوة البولي يوريثان برائحة مميزة تظل عالقة لبضعة أيام قليلة بعد إخراجها من عبوة التغليف. وسوف تختفي الرائحة. كما أن تهوية المرتبة وتنظيفها بمنظفة الشفط الخوائية سوف يساعد في التخلص من الرائحة.
- الرغوة تتفاعل مع الأشعة فوق بنفسجية الصادرة من الشمس والأوكسجين من الهواء وسوف يصفر لونها مع مرور الوقت.
- المرتبة متوافقة مع المعيار EN ١٦٨٩٠:٢٠١٧.

## التنظيف والصيانة

نقال. يمكنك النظر في فك جانب واحد من السرير الثقل وضبط قاعدة السرير النقال على أدنى وضع. وبهذه الطريقة سوف يتمكن طفلك من الصعود إلى السرير النقال والنزول منه بأمان دون مساعدة من أحد. إذا فعلت ذلك، فمن المهم فك العجلات أيضاً.

المرتبة: غطاء المرتبة: يمكن غسله عند ٦٠ درجة مئوية مع فرده وهو مبتل. لا تستعمل ماكينة التنشيف الريميلية. الرغوة: يمكن معالجتها بالحرارة عند ٦٠ درجة مئوية وغسلها/ شطفها في الماء الساخن. ويعد حدوث تبول، يجب دائماً غسل المرتبة؛ فالبول يعتبر وسطاً جيداً لنمو الفطريات. الخشب: امسح بقطعة قماش نظيفة منقاة بالماء مع إزالة الماء الزائد. لا نوصي باستخدام أي منظف. وقد تتغير الألوان في حالة تعرضها لأشعة الشمس. الاستعمال العادي: قم دائماً بإزالة اللحاف في الصباح ويجب تعريض السرير واللحاف «ليبرد» وينشف.

## مقاس المرتبة الموصى به

لقد تم صنع المهد الصغير لاستخدامه مع مرتبة بعرض ٦٧٧ مم وطول ١٢١٠ مم وسمك ٨٠ مم لسرير Sleepi، ويعرض ٥٧٢ مم وطول ٧٢٣ مم وسمك ٨٠ مم للسريير الميني وتتخذ المرتبة شكل المهد/ المهد الصغير الميني. ويشترط تحديد العرض

- عند تجميع السرير الميني أو المهد لا تربط المسامير الملولبة حتى يتم تجميع الوحدة بأكملها. وبذلك تضمن تحقيق أسهل طريقة للتجميع.
- تأكد من أن السرير الميني أو المهد موضوع على أرض مستوية مستقرة. وبعد التجميع افحص واربط كل نقط التثبيت والمسامير الملولبة. ويجب فحص نقاط التثبيت والمسامير الملولبة بصفة منتظمة وإعادة إحكام ربطها عند الضرورة. فالوصلات السائبة أو الأجزاء السائبة يمكن أن تؤدي إلى احتباس جزء من جسم

- الطفل أو ملابسه (فمثلاً الأربطة وقلادة العنق وأشرطة سدادة الفم (البرازة الخ) التي يمكن أن تُشكل خطراً يؤدي للاختناق الطفل.
- لا تضع السرير الميني أو المهد بجوار دفاية حريق مكشوفة أو مصدر للحرارة الشديدة مثل الدفايات الكهربائية ودفايات الغاز الخ. لمنع احتمال نشوب الحريق.
- لا تستعمل السرير الميني أو المهد في حالة وجود أي أجزاء مكسورة أو تالفة أو مفقودة. استعمل فقط قطع الغيار المعتمدة من STOKKE.

- لا تستعمل أي ملحقات أو أجزاء بديلة ليست من صنع شركة ستوك STOKKE" فإن ذلك قد يؤثر على سلامة طفلك.
- لا تترك أي شيء في المهد، ولا تضع المهد على مقربة من منتج آخر، حيث يمكن أن يزود مسنداً للقدم أو يُشكل خطراً يُسبب الاختناق أو الخنق فمثلاً بسبب الأربطة وأشرطة أغطية النوافذ/ الستائر الخ.
- لا تستعمل أكثر من مرتبة واحدة في سرير الطفل الرضيع.

## ⚠️ ملاحظة هامة!

قرأ هذه الإرشادات بعناية واتبعها مع الاهتمام بالتفاصيل للتأكد من عدم التهاون في خصائص السلامة الخاصة بالسرير الميني والمهد. احتفظ بهذه الإرشادات لاستعمالها فيما بعد. احتفظ بمفتاح آلان لاستعماله فيما بعد. أعد ربط كافة المسامير الملولبة كل أسبوعين أو ثلاثة أسابيع بعد التجميع.

## الحق في الشكوى والضمان الممتد

يُطبق عالمياً فيما يتعلق بنظام التخزين STOKKE SLEEPi الذي يُشار إليه هنا باسم المنتج. المنتج أو المنتجات.

### الحق في الشكوى

للمعمل الحق في رفع الشكاوى بموجب تشريع حماية المستهلك المطبق في أي وقت، والذي قد يختلف من بلد لآخر.

بوجه عام، لا تمنح شركة STOKKE أي حقوق إضافية أكثر من التي يفرضها التشريع المطبق في أي وقت، إلا أنه تمت الإشارة إلى «الضمان الممتد» الموضح أدناه. -حقوق المستهلك طبقاً لتشريع حماية المستهلك المطبق في أي وقت تعد حقوقاً إضافية لتلك المذكورة في «الضمان الممتد»، ولا تتأثر بها.

«الضمان الممتد» من قبل شركة STOKKE على الرغم من ذلك، فإن شركة STOKKE AS, Parkgata ٦, ٠٢٠٣-N Ålesund, Norway تمنح «ضماناً ممتداً» للعامل الذين قاموا بتسجيل منتجهم في قاعدة بيانات الضمان لدينا. ويمكن عمل ذلك عن طريق موقعنا: [www.stokkewarranty.com](http://www.stokkewarranty.com)

بعد التسجيل، ستصدر شهادة الضمان ويتم إرسالها للعميل عن طريق البريد الإلكتروني أو عبر البريد العادي.

يمنح التسجيل في قواعد بيانات الضمان للعميل الحق في الحصول على «ضمان ممتد» بناءً على ما يلي:

- ضمان سبع سنوات ضد أي عيوب في التصنيع في هذا المنتج.

- الأمور الناتجة عن التأثير الكبير لعوامل خارجية مثل الشمس/ الضوء، أو الحرارة، أو الرطوبة، أو التلوث البيئي وما إلى ذلك.

التلف الناتج عن الحوادث/ أو التشويه- على سبيل المثال، الانقلاب، ارتطام أي شيء آخر بالمنتج أو الارتطام بحجر أو علامة، أو باب، أو أي عائق آخر.

قلب المنتج نتيجة اصطدام شخص به. نفس الحالة تطبق إذا تعرض المنتج إلى ضغط شديد، على سبيل المثال: فيما يتعلق بالوزن الموضوع عليه، أو القيادة على سطح عالي الخشونة..

التلف الناتج عن المنتج عن تأثير خارجي، على سبيل المثال، شحن المنتج ضمن أمتعة السفر.

الأضرار التبعية، على سبيل المثال، التلف الواقع على أي شخص أو شيء آخر..

لن يطبق «الضمان الممتد» إذا تم إلحاق أي إضافات للمنتج غير تلك التي توفرها شركة STOKKE.

لن يطبق «الضمان الممتد» على الإضافات التي يتم شراؤها مع المنتج أو التي يتم شراؤها بتاريخ لاحق.

سوف يشتمل «الضمان الممتد» من شركة STOKKE على ما يلي:

استبدال أو إصلاح- إذا فضلت شركة STOKKE هذا- الجزء الذي به الخلل، أو المنتج بأكمله (إذا كان من الضروري) شريطة توصيل هذا المنتج إلى البائع.

تغطية تكاليف النقل الإعتيادية لأي قطع بديلة / منتجات من شركة STOKKE" المطبق على البائع الذي تم شراء المنتج منه. - لا يوجد تكاليف للنقل على عاتق المشتري طبقاً لشرط الضمان.

حفظ الحق في استبدال القطع المعطوبة بقطع لها نفس التصميم تقريباً في فترة المطالبة بالضمان..



EN 716:2017

# ВГ ВАЖНО – ЗАПАЗЕТЕ ЗА БЪДЕЩО ПОЛЗВАНЕ! ПРОЧЕТЕТЕ ВНИМАТЕЛНО!

## Поздравления за новото ви креватче Stokke® Sleepi™!

Със STOKKE® SLEEPI™ вие разполагате с легло, което може да се използва от раждането и да расте заедно с ваше то дете.

### Stokke® Sleepi™ Mini

- Когато детето може да седи, коленичи или да се изправя, бебешкото легло вече няма да се използва за това дете.
- Уверете се, че разстоянието от матрака до върха на бебешкото легло никога не е по-малко от 20 см. Няма да имате проблеми, ако използвате оригиналния матрак от STOKKE.
- Не оставяйте други деца да играят без надзор в близост до бебешкото легло.
- Уверете се, че бебешкото легло е застопорено в статично положение, когато детето е в него без надзор.

### Stokke® Sleepi™ Bed

- Височината на основата на креватчето може да се наглася на всичките четири основни височини. Уверете се, че разстоянието от матрака до върха на креватчето никога не е по-малко от 30 см в най-високото положение и 50 см в най-ниското положение. Това ниво е обозначено на края на

креватчето (Σ). Няма да имате проблеми, ако използвате оригиналния матрак от STOKKE®.

- Най-ниското положение на основата на креватчето е винаги най-безопасното. Веднага щом бебето може да сяда или да се изправя, основата на креватчето трябва да се понижи.
- Уверете се, че съхранявате лекарства, връв, ластиси, малки играчки или малки предмети като монети на място, недостъпно от която и да е позиция в креватчето.
- За да предотвратите травми от падане на вашето дете при качване или слизане от леглото без чужда помощ, не трябва повече да използвате Sleepi® Bed™ като детско легло. Можете да премахнете едната страна на детското легло и да поставите основата му в най-ниското положение. Така детето ви ще може безопасно да се качва или слиза от детското легло без чужда помощ. Ако направите това, задължително демонтирайте колелата.

### Почистване и поддръжка

МАТРАК: Дамаска на матрака: Да се пере на 60 градуса. Разстелете го, докато е мокро. Не използвайте центрофуга за сушене.

ДУНАПРЕН: Може да се третира с горещина на 60 градуса и да се пере/

промива във вряща вода. Матракът винаги трябва да се измива след случай на напикаване; урината е благоприятна среда за развитие на плесен.

Дървена част: Забърсвайте с чиста влажна кърпа, подсушавайте излишната вода. Не препоръчваме употребата на перилни препарати. Цветовете могат да се променят, ако бъдат изложени на слънце.

НОРМАЛНА УПОТРЕБА: Винаги вземайте детенцето на сутринта и оставете леглото и то да се „охлади“ и да изсъхнат.

### Препоръчителен размер на матрака

Това креватче е произведено за употреба с матрак с размери 677 mm ширина, 1210 mm дължина и 80 mm дебелина за Sleepi и 573 mm ширина, 733 mm дължина и 80 mm дебелина за бебешко легло, и има формата на бебешко креватче / малко креватче. Ширината и дължината са определени, тъй като е важно пролуките между матрака и страните и краищата на креватчето да не надвишават 30 mm. Това се прави с цел минимизиране на риска от заклещване на някой крайник на детето в пролуката. Дебелината на матрака е определена, за да се гарантира, че дълбочината на леглото е по-голяма от 500 mm с основата на матрака в по-долна позиция, за да се минимизира риска от изкатерване или падане на детето извън креватчето.

## ⚠ ВАЖНО!

Прочетете тези инструкции внимателно и ги следвайте подробно, за да сте сигурни, че мерките за безопасност на бебешкото легло и креватчето се спазват. Пазайте тези инструкции за бъдещо ползване. Запазете шестограма за бъдещо ползване. Затегнете отново всички винтове 2-3 седмици след сглобяването.

- **Недейте да затягате винтовете при сглобяване на бебешкото легло или креватчето, докато целият уред не бъде сглобен. Това ви гарантира най-голяма леснота при сглобяване.**
- **Уверете се, че бебешкото легло или креватчето е разположено на равна и стабилна повърхност. След сглобяване, проверете и затегнете всички крепежни елементи и винтове. Тези крепежни елементи и винтове трябва да се проверяват редовни и при необходимост да се дозатягат. Разхлабени винтове или части могат да доведат до заклещване на част от тялото или дрехите**

- **на бебето (напр. връзки, гердани, лентички на бибери и т.н.), което може да представлява риск от задушаване.**
- **Никога не поставяйте бебешкото легло или креватчето в близост до открит огън или източник на силна топлина като електрически камини, газови камини и т.н. поради риск от пожар.**
- **Не използвайте бебешкото легло или креватчето, ако някоя част е повредена, износена или липсваща, и използвайте само резевни части, одобрени от STOKKE®.**
- **Не използвайте никакви принадлежности или резервни части,**

## Информация за вашия нов матрак

- Компресираните матраци си възвръщат оригиналната форма след 72-96 часа.
- Полиуретан-дунапренът има отличителен мирис, който може да се задържи няколко дни след разпаковане. Мирисът ще изчезне. Проветряването и продухването на матрака ще спомогнат за отстраняване на мириса.
- Дунапренът реагира с ултравиолетовата светлина на слънцето и кислорода от въздуха и с времето ще пожелее.
- Матракът отговаря на изискванията на стандарт EN 16890:2017.

които не са произведени от STOKKE®; това може да повлияе на безопасността на вашето дете.

- **Не оставяйте нищо в креватчето, и не поставяйте креватчето близо до друг продукт, в който може да се заклещи крачето на бебето или който представлява опасност от задушаване или удушаване, като напр. връвчици, въжета от щори/завеси и др.**
- **Не използвайте повече от един матрак в креватчето.**

## Право на рекламация и разширена гаранция

Приложима навсякъде по света по отношение на стол Tippy Trap®, всяко едно наричано по-долу за краткост "продуктът".

### ПРАВО НА РЕКЛАМАЦИЯ

Потребителят има право на рекламация в съответствие с приложимото към съответния момент законодателство за защита на потребителя, което може да се различава в отделните държави.

Като цяло, STOKKE AS не предоставя повече права на потребителите, освен тези, предвидени в приложимото към съответния момент законодателство, независимо от това, че се предоставя описаната по-долу "Разширена гаранция". Правата на потребителя, произтичащи от приложимото към съответния момент законодателство за защита на потребителя, са в допълнение на тези по "Разширената гаранция" и не се изменят или отменят от нея.

### "РАЗШИРЕНА ГАРАНЦИЯ" НА STOKKE

Независимо от горното, STOKKE AS, Parkgata 6, N-6003 Ålesund, Норвегия, предоставя "Разширена гаранция" на потребителите, които регистрират своите продукти в нашата гаранционна база данни. Това може да се направи чрез нашата уеб-страница [www.stokkewarranty.com](http://www.stokkewarranty.com). При извършване на регистрация се издава гаранционен сертификат, който се изпраща на потребителя по електронен път (e-mail) или чрез обикновена поща.

Регистрацията в гаранционната база-данни предоставя на собственика "Разширена гаранция" както следва:

- **7-годишна гаранция за производствени дефекти на продукта.**

"Разширената гаранция" се прилага също и в случаите, когато продуктът е бил получен като подарък или закупен втора ръка. Предвид на това, правата по "Разширената гаранция" могат да се упражняват от всяко лице, което към съответния момент в рамките на гаранционния период е собственик на продукта и представи гаранционен сертификат.

### "Разширената гаранция" STOKKE® е подчинена на следните условия и изисквания:

- Нормална употреба.
- Продуктът е бил използван единствено съгласно предназначението, за което е предвиден.
- На продукта е била осигурявана нормалната поддръжка, съгласно описанието в упътването за поддръжка/употреба.
- При упражняване на права по "Разширената гаранция" следва да се представи гаранционен сертификат, заедно с касовата бележка, удостоверяваща датата на извършване на покупката. Това важи и за всеки следващ собственик на продукта.

- Продуктът се намира в първоначалния си вид, в смисъл че са използвани единствено части, доставени от STOKKE, които са предназначени за употреба на или заедно с продукта. Всякаво отклонение от това изискване налага предварителното писмено съгласие на STOKKE.
- Серийният номер на продукта не е бил унищожен или премахнат.

### "Разширената гаранция" STOKKE не покрива:

- Случаи, дължащи се на развитието на естествени процеси в съставните части на продукта (напр. изменения в оцветяването, както и износване).
- Случаи, дължащи се на несъществени различия в материалите (напр. различия в цветовете на отделните части).
- Случаи, причинени от извънредно въздействие на външни фактори, като слънце/светлина, температура, влажност, замърсяване на околната среда и др.
- Повреди, причинени от инциденти/злополуки – например сблъсък с друг предмет или с човек. Същото важи и ако върху продукта е оказано прекомерно натоварване, например по отношение на поставената върху него тежест.
- Повреди, причинени на продукта от външни въздействия, например в случаите, когато продуктът е бил натоварван като багаж.
- Косвени повреди, например увреждания нанесени на лица и/или на други предмети.

- В случай, че за поправка на продукта са били използвани каквито и да е елементи, които не са доставени от Stokke, "Разширената гаранция" не се прилага.
- "Разширената гаранция" не важи по отношение на елементи които не са били закупени или доставени заедно с продукта, или на по-късна дата.

### При условията на "Разширената гаранция", STOKKE ще:

- Замени, или ако STOKKE така предпочитат, поправи повредената част или продукта в неговата цялост (в случай на необходимост), при условие че продуктът е предаден на търговеца.
- Покрие обичайните транспортни разходи за подлежащата на замяна част/продукт от STOKKE до търговеца, от когото е бил закупен продукта. - Гаранцията не покрива транспортни разходи на самия купувач.
- Запазва правото си да замени, във всеки момент на упражняване на права по гаранцията, повредени части с части със сходен дизайн.
- Запазва правото си да достави заместващ продукт, в случаите когато съответният продукт вече не се произвежда към момента на упражняване на права по гаранцията. Такъв заместващ продукт следва да бъде с еквивалентно качество и цена.

### Как се упражняват права по "Разширената гаранция":

Като цяло, всякакви искания, относно се до "Разширената гаранция", се отправят до търговеца, от когото е бил закупен продукта. Подобни искания следва да се отправят във възможно най-кратък срок след откриване на дефекта, и следва да са придружени от гаранционния сертификат, и от оригиналната касова бележка. Следва да се представят документи/доказателства, потвърждаващи производствения дефект, като обикновено това става, когато продуктът бъде занесен на търговеца за оглед, или бъде предоставен на търговски представител на STOKKE®. Дефектът ще бъде отстранен в съответствие с горните правила, в случай че търговецът или търговски представител на STOKKE установи, че той е вследствие на производствен недостатък.



EN 716:2017

# CN Simplified 重要信息—请妥善保存, 以便日后参考使用! 请仔细阅读本指南!

祝贺您有了新的 Stokke™ Sleepi™!

有了 Stokke™ Sleepi™, 您就有了一张从宝宝出生起便可使用的小床, 一直陪伴他成长。它可以是一个摇篮、一张幼儿床, 还可以改装成两把椅子。

Stokke® Sleepi™ mini

- 如果宝宝会坐、爬或自己扶着站立起来时, 就不应再使用婴儿床了。
- 请确保婴儿床围栏顶部高于床垫至少 20 厘米。如果使用 STOKKE® 原装的床垫就不会有问题。 如果没有大人在一边照看, 请勿让宝宝独自一人在婴儿床里玩耍。
- 如果要将宝宝一人留在屋里的婴儿床里, 请确保婴儿床已经被锁定在一个固定的位置。
- 建议使用年龄: 大约0-6个月

Stokke® Sleepi™ 床

- 小床底板的高度可以调节, 有四个高度可以选择。 请确保在底板调至最高位置时, 床顶部至少高出床垫 30 厘米, 而在调至最低位置时, 应至少高出床垫 50 厘米。 这两个高度位置已

在床的两端标出 (∨)。 如果使用 STOKKE® 原装的床垫就不会有问题。

- 将小床底板放置在最低位置在任 何时都是最安全的。 宝宝会坐或会扶着站起来后, 必须将小床底板的位置放低。
- 请勿将药品、绳索、橡胶、小玩具或小物件, 如钱币, 放置在小床周围任何可以够到的地方。
- 当儿童能自己爬上上下床时, 为防止其摔落受伤, 请勿再将 Sleepi® Bed™ 床作为婴儿床使用。您可考虑去掉婴儿床的一侧, 将床的底座调整至最低位置。这样, 您的宝宝便可自行安全攀爬。请注意, 进行此操作时, 请将轮子移除。

清洁与保养

床垫: 垫毯: 可在 60 度水温中洗涤。趁湿展开。请勿使用滚筒烘干机烘干。  
海绵垫: 可在 60 度水温中洗涤, 并在热水中清洗/冲洗。始终洗涤尿湿的床垫; 尿液十分适合细菌的生长。  
都应清洗床垫; 尿湿的床垫十分适合细菌的生长。  
木质结构: 使用干净的湿布擦拭, 然后将多余的水分擦干。 建议不要使用任何清洁剂。 如果被暴露在阳光直射下, 可能会褪色。

日常使用方法: 请在早上将垫毯掀开, 使垫毯和床垫得以“冷却”和风干。

建议的床垫尺寸

和这个摇篮一起使用的有宽677毫米, 长1210毫米, 厚80毫米的 Sleepi™床垫, 以及宽 573毫米, 长733毫米, 厚80毫米的Mini 床垫, 呈摇篮/婴儿床的形状。因为床垫和摇篮的边和底部间的缝隙不超过 30毫米, 这点很重要, 所以宽度和长度是规定的。这会让孩子四肢卡在缝隙中的风险减到最少。床垫的厚度已经规定, 确保摇篮深度大于500 毫米, 床垫在底部, 大大减少孩子从摇篮爬出或掉下来的风险。

有关新床垫的信息

- 压紧的床垫在 72-96 小时后恢复其最初形状
- 拆开后, 聚氨酯泡沫的特殊气味数天不散。气味会消失。通风并使用真空吸尘器打扫有助于消除气味。
- 泡沫会同太阳的紫外线发生反应, 空气中的氧也会使其慢慢变黄。
- 床垫符合 EN 16990:2017 标准。

## ⚠ 重要信息!

请仔细阅读使用说明并按指示的方法使用, 确保不影响婴儿床和摇篮的安全特性。请妥善保存本使用说明以备日后使用。 请妥善保存内六角扳手, 以便日后使用。安装后2-3 周再次拧紧所有螺丝。

- 安装婴儿床或摇篮时, 安装完成前勿将螺丝拧得太紧。这样最便于安装。
- 请务必将婴儿床或摇篮放在水平、稳固的表面上。安装完后检查并上紧所有部件和螺丝。定期检查部件和螺丝, 必要时上紧。螺丝或连接松动可能会卡住宝宝或衣物(如绳带、项链、玩具上的彩带等), 这会发生被勒住的风险。

- 切勿将婴儿床或摇篮放置在明火或强热源附近, 如, 电热器、煤气炉等, 因为可能引起火灾。
- 如果发现婴儿床或摇篮的任何部件已损坏、撕裂或缺失, 请勿使用, 仅使用STOKKE核准的备件。
- 请勿使用并非由 STOKKE 生产的任何附加配件或替换零部件; 因为这可能会威胁到宝宝的安全。

- 不要在摇篮中留下任何东西, 或者不要把摇篮放在靠近另外一种产品的地方, 这会被用来垫脚, 或造成窒息或者勒住的风险, 例如绳带、百叶窗/窗帘绳等等。
- 请勿使用多过一张床垫在婴儿床上。
- 注意! 只允许成人安装, 儿童勿近

## 投诉权利和延期保证

全球适用于STOKKE® SLEEPi™ 床/婴儿换衣(原布)桌/椅子/橱柜 (下称产品)

投诉权利

消费者有权根据任何时候适用的消费者保护法进行投诉, 国家不同法律可能有所不同

一般来说, 尽管下文提及了“延期保证”, 但除了任何时候适用的法律所规定的权利以外, STOKKE AS公司不另外赋予其他权利。消费者在任何时候适用的消费者保护法项下的权利乃是对“延期保证”项下权利的补充, 并不受其影响。

STOKKE的“延期保证”

然而, 如果客户将产品在我们的保修数据库中注册的话, 则STOKKE AS, Parkgata 6, N-6003 AAlesund, Norway会为这些注册客户延长保修期。请登录我们的网站www.stokkewarranty.com。一旦注册成功, 将会为客户发出一个电子版保修证书或者通过普通邮递为客户邮寄一份保修证书。

消费者在产品保证数据库中登记之后, 即有权获得下述“延期保证”:

- 保证7年内产品无任何生产缺陷

“延期保证”也适用于收到的礼物或者购买的二手产品。因此, 在保质期内的任何时候, 不论是谁, 只要是产品的拥有者并持有产品保证书, 即有权享受“延期保证”。

STOKKE的“延期保证”在下列条件下有效

- 正常使用。
- 产品只用于预定的产品用途。
- 产品按照保养/说明书的要求进行了正常的保养。
- 在行使“延期保证”权利时, 应出示产品保证书和盖有购买日期的原始购买发票。这也适用于二手拥有者或者以后的拥有者。
- 产品外观应为原有状态, 并只使用由STOKKE提供的供产品使用的零件。对产品的任何改变都需要事先获得STOKKE的书面同意。
- 产品的系列号没被损坏或者除去。

STOKKE的“延期保证”不保修

- 产品零件正常使用产生的问题(如变色、磨损)。
- 材料微小变化引起的问题(如零件之间的颜色差异)。
- 外界因素如太阳/光线、温度、湿度、环境污染等的极端影响造成的问题。

- 事故/不测事件引起的损坏—如任何其它物体撞在产品上或产品被人力撞翻。如果产品过载, 如把重物放在产品上面 “延期保证”也不适用。
- 由外界影响造成的产品损坏, 例如把产品作为行李进行运输。
- 后继损害, 例如对人身和/或任何其他物体造成伤害。
- 如果产品安装了不是由Stokke提供的附件, “延期保证”则不适用。
- “延期保证”不适用于与产品一起或者以后购买或者提供的任何附件。

根据“延期保证”, STOKKE将会:

- 更换或者修理(如果STOKKE愿意)有缺陷的零件或者整个产品(如有必要), 但要求把产品寄到零售商处。
- 负责将更换零件/产品从STOKKE运输到销售产品的零售商处的正常运费。——根据产品保证条款, 不包括购买者的旅行费用。
- 保留在履行产品保证时, 用设计大致相同的零件更换有缺陷零件的权利。
- 保留在履行产品保证时, 如果相关产品不再生产则提供替代产品的权利。替代产品应具有相当的品质和价值。

如何进行“延期保证”下的权利:

通常来说, 有关“延期保证”的所有要求都应向销售产品的零售商提出。在发现缺陷时应尽早提出这样的请求, 同时提供产品保证书和原始购买发票。

另外还应提供证明生产缺陷的记录/证据, 通常应连同产品一起提供给零售商, 也可以通过其他方式提供给零售商或者STOKKE“销售代表”进行检查。如果零售商或者STOKKE“销售代表”认为损坏是由生产缺陷造成的, 则会根据上述条款对缺陷进行修正。

EN 716:2017





# CN Traditional 注意事項 – 請妥善保留以備日後參閱! 請仔細閱讀!

恭喜閣下新買了 Stokke® Sleepi™ 產品!  
從寶寶出生起到成長階段, 都可以使用 Stokke® Sleepi™ 產品。  
它包括 BB 床、學步床和兩把椅子。

## Stokke® Sleepi™ mini

- 寶寶能夠坐、跪或自己站起時, 就不要使用迷你床了。
- 請確保床墊與迷你床頂部的距離大於 20 公分。若使用 STOKKE® 原裝床墊, 則無此之憂。
- 請勿讓其他寶寶在無人照看時在床邊玩耍。
- 若床內寶寶無人照看, 請確保將床固定好。
- 建议使用年齡: 大約0-6個月

## Stokke® Sleepi™ mini

- 床架高度可調整, 有四種基本高度可選。將床架高度調至最高和最低時, 請確保相應的床墊與床頂的間距不小於 30 和 50 公分。高度值標示於床末端 (△)。若使用 STOKKE® 原裝床墊, 則無此之憂。
- 床架位置愈低, 使用愈安全。寶寶能獨自坐立或站立時, 請調低床架高度。

- 請勿將藥品、細繩、塑膠製品、小玩具或錢幣等其他小物件置於床內寶寶夠得著之處。
- 當兒童能自己攀爬上下床時, 為防止其摔落受傷, 請勿再將 Sleepi® Bed™ 床作為嬰兒床使用。您可考慮去掉嬰兒床的一側, 將床的底座調整至最低位置。這樣, 您的寶寶便可自行安全攀爬。請注意, 進行此操作時, 請將輪子移除。

## 清潔與維護

床墊: 床罩: 可用 60 攝氏度水清洗。清洗後展開晾乾。請勿用滾筒式烘乾機。

床罩: 用 60 攝氏度水清洗。

泡沫材料: 可用 60 攝氏度水沖洗。寶寶尿床後, 請務必清洗床墊, 否則會滋生真菌。

木製部分: 請用潔淨濕布擦拭, 並擦去過多的水。建議不要使用洗潔精。產品暴露在陽光下可能會變色。

正常使用: 每日清晨抱開寶寶, 讓寶寶及床都「透透氣」。

## 建議床墊大小

可與 BB 床配套使用的床墊規格有: Sleepi 床: 寬: 677公釐;

長: 1210 公釐; 厚: 80 公釐。迷你床: 寬: 573 公釐; 長: 733 公釐; 厚: 80 公釐。符合 BB 床 / 迷你床形狀。由於床墊與床架兩側及兩端之間間隙不得超過 30 公釐, 因此限定了寬度和長度。這大大降低了寶寶四肢卡在空隙中的風險。指定床墊的厚度, 可以確保在降下床架後, 床的深度大於 500 公釐, 從而最大限度地降低了寶寶爬出 BB 床或跌落的危險。

## 有關新床墊的資訊

- 壓縮床墊在使用 72-96 小時後, 仍然保持原狀
- 聚脂泡沫具有獨特的氣味, 在拆包後數天內仍有殘留, 但最終會消失。將床墊放在通風處或吸一下塵, 有助於消除這種異味。
- 泡沫在接觸太陽光紫外線或空氣中氧氣的情況下會有反應, 時間一久, 會變成黃色。
- 床墊符合 EN 16890:2017 標準。

## ⚠ 注意事項!

請仔細閱讀本說明書並如實操作, 以確保安全使用 BB 床和迷你床。請保管好本說明書, 以備日後使用。請保管好內六角扳手, 以備日後使用。組裝完成後 2 至 3 週內, 請重新擰緊所有螺絲。

- 組裝完成整套 BB 床或迷你床之前, 請勿擰緊螺絲。這樣非常便於您進行組裝。
- 請確保將 BB 床或迷你床放置平穩。組裝完畢後, 請檢查所有零件及螺絲並將其固定妥當。應定期檢查零件及螺絲, 必要時加以緊固。螺絲連接或零件鬆動時, 可能會掛到寶寶的身體或衣物 (如掛繩、項鍊、飾帶等), 導致寶寶有被勒住的危險。

- 請勿將 BB 床或迷你床置於明火旁或電爐、瓦斯取暖器等會釋放巨大熱量之熱源附近, 以防引發火災。
- 若任何部件損壞、撕破或遺失, 請勿使用 BB 床或迷你床。請僅使用由 STOKKE® 提供的零部件。
- 請僅使用 STOKKE® 生產的附件或更換零件, 否則可能會危及寶寶安全。
- 不要將任何其他物體放在床上, 或將床靠近其他物體, 如

- 掛繩、窗簾繩等, 這可能會提供「台階」, 或導致寶寶窒息或被勒住的危險。
- 請勿使用多過一張床墊在嬰兒床內。
- 注意! 只允許成人安裝, 兒童勿近

## 投訴權和延長保固

### 全球適用, 涉及之產品包括床 STOKKE® SLEEPi™, 以下稱「產品」

#### 投訴權

顧客有權根據任意特定時間適用之消費者保護法進行投訴, 該法可能因國家不同而有所區別。

儘管提及下文描述之「延長保固」, 一般而言, 除在任意特定時間由適用法律規定之權利外, STOKKE AS 不向顧客授予超出該範圍之任何附加權利。在任意特定時間適用之消費者保護法規定之顧客權利, 是「延長保固」權利以外之附加權利, 因此不受影響。

#### STOKKE「延長保固」

然而, 如果客戶將產品在我們的保修資料庫中註冊的話, 則STOKKE AS, Parkgata 6, N-6003 AAlesund, Norway會為這些註冊客戶延長保定期。請登錄我們的網站www.stokkewarranty.com。一旦註冊成功, 將會為客戶發出一個電子版保修證書或者通過普通郵遞為客戶郵寄一份保修證書。

#### 在保固資料庫中註冊後, 擁有人享有以下「延長保固」服務:

- 「產品」中任何製造瑕疵之七年保固。

「延長保固」同時適用於作為禮品之「產品」或購得之二手「產品」。因此, 在特定時間該「產品」之擁有人均可在保固期內憑出示保固卡享受「延長保固」。

#### STOKKE「延長保固」之條件如下:

- 正常使用。
- 「產品」於預期使用目的下使用。
- 「產品」依照保養/說明手冊所述之保養程序正常保養。
- 行使「延長保固」時, 須出示保固卡, 並同時出示加蓋日期章的原始購買發票。該項同樣適用於任何二手擁有人及後續擁有人。
- 「產品」須保持其原有狀態, 依此僅使用 STOKKE® 所提供之零件, 且零件須按預期目的用於「產品」或與「產品」合併使用。任何與此隔離之情況均須由 STOKKE® 事前以書面同意。
- 「產品」序列號未遭損毀或移除。

#### STOKKE「延長保固」的範圍不包括:

- 組成「產品」之零件正常老化所致之問題 (如: 顏色變化及磨損、破裂)。
- 材料中微小差異所致之問題 (如: 零件間的顏色差異)。
- 陽光/光線、溫度、溼度、環境污染等外部因素之極端影響所致之問題。

- 事故/災禍所致之損害, 如: 任何其他物體與「產品」相撞, 或任何人與「產品」相撞使其翻倒。此項同樣適用於於「產品」負載過重之情況 (如: 放置上面的物品過重)。
- 外部影響對「產品」所造成之損害, 如: 將「產品」作為行李運送。
- 間接損害, 如: 對任何人及/或任何其他物件所造成之損害。
- 如果「產品」加裝非由 Stokke® 所提供之任何配件, 則「延長保固」失效。
- 「延長保固」不適用於隨「產品」共同購買或提供, 或稍後購買之任何配件。

#### STOKKE 將根據「延長保固」:

- 更換或修理瑕疵零件 (由 STOKKE® 選擇) 或整個「產品」(必要時), 惟須將「產品」運送至經銷商處。
- 承擔任何更換零件/「產品」由 STOKKE® 至購買「產品」之經銷商處的正常運輸費用。根據保固條款, 不承擔購買者之旅途費用。
- 行使保固時, 有權使用近似同等設計之零件以更換瑕疵零件。
- 行使保固時, 如相關「產品」已停止生產, 有權提供替代「產品」。該「產品」須具有同等品質和價值。

# CZ DŮLEŽITÉ – TYTO POKYNY UCHOVEJTE PRO BUDOUCÍ POTŘEBU! ČTĚTE POZORNĚ!

Blahopřejeme Vám k nákupu Vaší nové dětské postýlky Stokke® Sleepi™! Dětská postýlka Stokke® Sleepi™ je postýlka, která může být používána od narození a která roste s Vaším dítětem.

## Stokke® Sleepi™ Mini

- Když je dítě schopné sedět, klečet nebo se samo postavit, Mini postýlka se nesmí již dále používat pro toto dítě.
- Ujistěte se, že vzdálenost matrace od horní části Mini postýlky není nikdy menší než 20 cm. Nebudete mít žádné problémy, pokud používáte originální matraci od společnosti STOKKE.
- Nenechávejte ostatní děti hrát si bez dozoru v blízkosti Mini postýlky.
- Ujistěte se, že je Mini postýlka v zajištěné poloze, pokud je v ní dítě bez dozoru.

## Postýlka Stokke® Sleepi™

- Výška roštu postýlky může být nastavena na všechny čtyři základní výšky. Ujistěte se, že vzdálenost matrace od vrchní části postýlky není nikdy menší než 30 cm v nejvyšší poloze a 50 cm v nejnižší poloze. Tato úroveň je vyznačena na konci postýlky (↖). Nebudete mít žádné problémy, pokud použijete originální matraci od společnosti STOKKE®.

- Nejnižší poloha roštu postýlky je vždy nejbezpečnější. Jakmile může dítě sedět nebo se samo postavit, musí být rošt postýlky nastaven do nižší polohy.
- Ujistěte se, že léky, řetízky, pružné malé hračky nebo drobné předměty, např. mince, jsou mimo dosah dítěte v postýlce.
- K zamezení zranění způsobených pádem dítěte samostatně šplhajícího do postýlky a z postýlky byste již neměli výrobek Sleepi® Bed™ používat jako dětskou postýlku. Můžete zvážit odstranění jedné strany postýlky s nastavením základny do nejnižší polohy. Dítě tak bude moci bezpečně do postýlky vlézt a zase z ní vylézt. Při této úpravě je důležité odstranit kolečka.

## ČIŠTĚNÍ A ÚDRŽBA

**MATRACE:** Potah matrace: Možné prát při teplotě 60 stupňů. Roztáhněte, dokud je mokrá. Nepoužívejte bubnovou sušičku.

**PĚNA:** Může být ošetřována na 60 stupňů a prána / máchána ve vroucí vodě. Když se dítě pomoci, měla by být matrace vždy vyprána; moč velmi podporuje růst plísní.

**DŘEVO:** Otřete čistým navlhčeným hadříkem a setřete zbylou vodu. Nedoporučujeme používání jakýchkoli čisticích prostředků. Jestliže je výrobek vystaven slunečnímu záření, může dojít ke změně barev.

**BĚŽNÉ POUŽITÍ:** Ráno vždy vyndejte prostěradlo a nechte postýlku i prostěradlo „zchladnout“ a vyschnout.

## DOPORUČENÁ VELIKOST MATRACE

Tato postýlka byla vyrobena pro použití s matrací o velikosti 677 mm na šířku, 1210 mm na délku a 80 mm na výšku pro postýlku Sleepi a 573 mm na šířku, 733 mm na délku a 80 mm na výšku pro postýlku Mini a má tvar přizpůsobený dětské postýlce / mini postýlce. Šířka a délka jsou určeny, protože je důležité, aby mezery mezi matrací, stranami a kraji postýlky nepřesáhly 30 mm. To minimalizuje riziko zachycení končetiny dítěte v mezeře. Výška matrace je určena, aby bylo zajištěno, že hloubka postýlky je větší než 500 mm s roštem v nižší pozici, aby se minimalizovalo riziko výšplhání nebo pádu dítěte z postýlky.

## Informace o Vaší nové matraci

- Stlačené matrace získají svou původní velikost po 72–96 hodinách.
- Polyuretanová pěna má charakteristický pach, který může přetrvávat několik dní po rozbalení. Pach zmizí. Větrání a vysávání matrace pomůže pach odstranit.
- Pěna reaguje s ultrafialovým slunečním zářením a kyslíkem ve vzduchu a časem zežloutne.

## ⚠ DŮLEŽITÉ!

Přečtěte si pozorně tento návod k použití a důsledně jej dodržujte, abyste zajistili správnou funkci bezpečnostních prvků Mini a dětské postýlky. Uchovejte tyto pokyny pro pozdější potřebu. Uchovejte šestihraný klíč pro pozdější použití. Utáhněte všechny šrouby 2 až 3 týdny po montáži.

- Při montáži Mini nebo dětské postýlky neutahujte šrouby, dokud není celý výrobek sestaven. Toto Vám zajišťuje nejsnadnější způsob montáže.
- Zajistěte, že Mini nebo dětská postýlka je umístěna na vodorovný a stabilní povrch. Po montáži zkontrolujte a utáhněte všechny spojky a šrouby. Spojky a šrouby musí být podle potřeby pravidelně kontrolovány a utahovány. Uvolněné šrouby nebo části mohou vést k zachycení části těla nebo oblečení (např. řetízků, náhrdelníků, stuh pro dudlíky atd.) dítěte, které může vést k uškrcení.

- Nikdy neumísťujte Mini nebo dětskou postýlku při otevřeném ohni nebo zdroji silného tepla, např. elektrických přímotopech, krbecch, montáže, kvůli nebezpečí požáru.
- Pokud jsou části Mini nebo dětské postýlky poškozené, roztržené nebo chybí, postýlku nepoužívejte. Používejte pouze náhradní díly schválené společností STOKKE.
- Pro bezpečnost vašeho dítěte nepoužívejte žádné doplňky nebo náhradní díly od jiného výrobce než STOKKE®.
- V postýlce nic nenechávejte ani neumísťujte postýlku v blízkosti

- jiných předmětů, které by mohly poskytnout oporu pro nohy nebo představovat nebezpečí udušení nebo uškrcení, např. řetízků, záclon / závěsů atd.
- V dětské postýlce používejte pouze jednu matraci.

## Právo na reklamaci a rozšířená záruka

Platí po celém světě pro dětskou postýlku Stokke® Sleepi™, dále označovanou jako produkt.

### PRÁVO NA REKLAMACI

Zákazník má právo na reklamaci v souladu s legislativou na ochranu spotřebitele platnou v daném období; tato legislativa se může v jednotlivých zemích lišit. Společnost STOKKE AS neposkytuje obecně žádná další práva rozšiřující práva stanovená legislativou platnou v daném období, třebaže zde upozorňujeme na „rozšířenou záruku“ popsanou dále. Kromě práv popsaných v části „Rozšířená záruka“ platí práva zákazníka podle legislativy na ochranu spotřebitele platné v daném období, která nejsou tímto ustanovením nijak dotčena.

### „ROZŠÍŘENÁ ZÁRUKA“ SPOLEČNOSTI STOKKE™

Společnost STOKKE AS se sídlem v norském Ålesundu, Parkgat 6, N-6003 N6, poskytuje rozšířenou záruku pro zákazníky, kteří registrují své produkty v naší záruční databázi. Tuto registraci lze provést prostřednictvím našich webových stránek [www.stokkewarranty.com](http://www.stokkewarranty.com). Po dokončení registrace vydáme záruční osvědčení a zašleme jej zákazníkovi v elektronické podobě (e-mail) nebo běžnou poštou.

Registrace do záruční databáze poskytuje vlastníkovi tuto „rozšířenou záruku“:

- 7letá záruka na veškeré výrobní vady produktu.

„Rozšířená záruka“ se rovněž vztahuje na případy, kdy byl produkt získán jako dar nebo zakoupen z druhé ruky. V důsledku toho může nárok vyplývající z „rozšířené záruky“ uplatňovat každý ví astník produktu kdykoli během záruční doby, v souladu se záručním osvědčením předloženým vlastníkem.

„Rozšířená záruka“ poskytnutá společností STOKKE® je podmíněna splněním těchto podmínek:

- Běžné použití.
- Produkt byl používán pouze k zamýšlenému účelu.
- U produktu byla prováděna řádná údržba popsaná v návodu k použití.
- Při uplatňování nároků vyplývajících z „rozšířené záruky“ musí být předloženo záruční osvědčení spolu s originálním dokladem o koupi v vyznačeným datem. To platí i pro druhého nebo dalšího majitele.
- Produkt musí být v původním stavu; jediné díly, které mohou být u produktu použity, musí být dodány společností STOKKE® a musí být určeny pro daný produkt. Jakékoliv odchylky vyžadují předchozí písemný souhlas společnosti STOKKE®.

- Výrobní číslo produktu nesmí být odstraněno ani poškozeno.

„Rozšířená záruka“ poskytnutá společností STOKKE® se nevztahuje na tyto případy:

- Problémy způsobené normálním opotřebením dílů, z nichž se produkt skládá (například změny barvy a opotřebení).
- Problémy způsobené drobnými odchylkami v materiálu (například barevné rozdíly mezi díly).
- Problémy způsobené extrémním vlivem vnějších faktorů – například slunce/světlo, teploty, vlhkost, znečištění prostředí atd.
- Poškození způsobená nehodami – například když do produktu narazí při kolizi jiné předměty nebo osoba. Totéž se vztahuje na přetěžování produktu například působením hmotnosti předmětu umístěného na produkt.
- Poškození produktu způsobené vnějšími vlivy například v případech, kdy produkt byl zaslán jako zavazadlo.
- Následné škody – například škody způsobené kteroukoli osobou nebo jinými objekty.
- Jestliže byl produkt vybaven jakýmkoli doplňky, které nebyly dodány společností STOKKE®, „rozšířená záruka“ zaniká.
- „Rozšířená záruka“ se nevztahuje na žádné příslušenství, které bylo pořízeno nebo dodáno společně s produktem nebo později.

V souladu s „rozšířenou zárukou“ společností STOKKE®:

- vymění nebo – pokud tomu STOKKE® dává přednost – opraví vadný díl nebo případně celý produkt za předpokladu, že byl produkt dodán prodejci.
- uhradí prodejci, od kterého byl produkt zakoupen, běžné náklady na dopravu jakéhokoli náhradního dílu/produktu společností STOKKE®. V souladu se záručními podmínkami nebudou kupujícímu hrazeny žádné cestovní náklady vzniklé v souvislosti s dílem.
- si vyhrazuje právo vyměnit v době, kdy byly uplatněny nároky vyplývající ze záruky, vadné díly za díly zhruba stejného designu.
- si vyhrazuje právo dodat náhradní produkt v případech, kdy se v době uplatnění nároku vyplývajícího ze záruky, již příslušný produkt nevyvrátil. Takový produkt musí být odpovídající kvality a hodnoty.

Jak uplatnit nároky plynoucí z „rozšířené záruky“:

Veškeré požadavky související s „rozšířenou zárukou“ musí být obecně uplatněny u prodejce, od kterého byl produkt zakoupen. Tyto požadavky musí být předloženy co nejdříve po zjištění jakékoliv závady a musí být provázeny záručním osvědčením a originálním dokladem o koupi.

Musí být předložena dokumentace/důkazy o výrobní vadě, za normálních okolností musí být produkt předán nebo jinak prezentován prodejci či obchodnímu zástupci společnosti STOKKE® ke kontrole. Žádava bude opravena v souladu s výše uvedenými ustanoveními v případech, kdy prodejce nebo obchodní zástupce společnosti STOKKE® rozhodne, že škoda byla způsobena výrobní vadou.

EN 716:2017



# DE WICHTIG! FÜR SPÄTEREN GEBRAUCH AUFHEBEN. – SORGFÄLTIG DURCHLESEN!

Herzlichen Glückwunsch zu Ihrem neuen Stokke® Sleepi™!  
Mit STOKKE® SLEEPi™ haben Sie ein Bett, das von Geburt an verwendet werden kann und mit dem Kind mitwächst.

## Stokke® Sleepi™ Mini

- Wenn das Kind sitzen, knien oder sich hochziehen kann, sollte es nicht mehr in dem Mini-Bett schlafen.
- Achten Sie darauf, dass der Abstand von der Matratze zur Oberkante der Wiege mindestens 20 cm beträgt. Wenn Sie eine Original STOKKE-Matratze verwenden, ist dieser Abstand gewährleistet.
- Lassen Sie nicht andere Kinder unbeaufsichtigt in der Nähe der Wiege spielen.
- Achten Sie darauf, dass die Bremsen festgestellt sind, wenn das Baby unbeaufsichtigt im Bett liegt.

## Stokke® Sleepi™ Bett

- Der Bettenboden ist in vier Stufen höhenverstellbar. Achten Sie darauf, dass der Abstand von der Matratze zur Oberkante des Gitterbettschens mindestens 30 cm bei höchster Stellung und nicht weniger als 50 cm bei der niedrigsten

Stellung des Bettbodens ist. Am Fußende zeigt eine Markierung die Höhe an (↘). Wenn Sie eine Original STOKKE®-Matratze verwenden, ist dieser Abstand gewährleistet.

- Am sichersten ist immer die niedrigste Stellung des Bettbodens. So bald das Kind aufrecht sitzen oder aufstehen kann, muss der Bettboden gesenkt werden.
- Achten Sie darauf, dass sich keine Arzneimittel, Kordeln, kleine Spielsachen oder Gegenstände wie Münzen u.ä. in Reichweite des Bettchens befinden.
- "Um Sturzverletzungen vorzubeugen, sollten Sie das Sleepi® Bed™ nicht länger als Babybett verwenden, sobald Ihr Kind alleine in das Bett ein- und aussteigen kann. Sie können ein Seitenteil des Bettes abnehmen und den Matratzenboden auf der untersten Ebene befestigen. Auf diese Weise kann Ihr Kind in das Bett sicher hinein- und heraussteigen. Bei dieser Option müssen Sie die Räder unbedingt abmontieren.

## Reinigung und pflege

MATRATZE: Auflage: Waschbar bei 60 °C. Im feuchten Zustand strecken. Nicht im Wäschetrockner trocknen.

Schaumstoff: Verträgt Temperaturen bis 60 °C und kann in heißem Wasser ge-

waschen/abgespült werden. Wenn ins Bett genässt wurde, sollte die Matratze immer gewaschen werden, denn auf Harn gedeihen Schimmelpilze besonders gut. HOLZTEILE: Mit einem feuchten Tuch abwischen, überschüssiges Wasser abtrocknen. Keine Seife verwenden. Bei Sonnenbestrahlung kann sich die Farbe ändern. TÄGLICHE BENUTZUNG: Jeden Morgen die Bettdecke aus dem Bett nehmen und Deckbett und Bett lüften, auskühlen und trocknen lassen.

## EMPFOHLENE MATRATZENGROSSE

Dieses Gitterbett ist zur Verwendung mit einer Matratze mit einer Breite von 677 mm, einer Länge von 1210 mm und einer Dicke von 80 mm für Sleepi und einer Breite von 573 mm, einer Länge von 733 mm und einer Dicke von 80 mm für Mini und der Form des Gitterbetts/Mini-Betts vorgesehen. Breite und Länge sind genau festgelegt, da es wichtig ist, dass der Abstand zwischen Matratze und den Bettseiten bzw. -enden nicht größer als 30 mm ist. Damit soll verhindert werden, dass ein Bein des Kindes in diesem Spalt stechen bleibt. Die Dicke der Matratze ist festgelegt, um sicherzustellen, dass das Gitterbett bei niedrigster Stellung des Bettbodens mehr als 500 mm tief ist, um zu verhindern, dass das Kind aus dem Bett klettert oder fällt.

## Informationen über Ihre neue Matratze

- Zusammengepresste Matratzen erhalten nach 72 – 96 Stunden ihre Originalform zurück.
- Polyurethanschäum hat einen markanten Geruch, der noch einige Tage nach dem Auspacken andauern kann, dann aber verfliegt. Lüften und Absaugen der Matratze kann zu einer schnelleren Beseitigung des Geruchs führen.
- Der Schaum reagiert mit dem ultravioletten Licht der Sonne und dem Sauerstoff aus der Luft und wird mit der Zeit gelb.
- Die Matratze erfüllt die Norm EN 16890:2017.

## ! WICHTIG!

Lesen Sie die Gebrauchsanweisung bitte sorgfältig durch und befolgen Sie sie gewissenhaft. So haben Sie die Gewähr, dass das Mini-Bett die Sicherheitsanforderungen erfüllt. Bewahren Sie die Gebrauchsanweisung auf. Heben Sie auch den Sechskantschlüssel auf, denn die Schrauben müssen nach zwei bis drei Wochen Gebrauch nachgezogen werden.

- Das Montieren der das Mini-Bettchens bzw. die Wiege geht einfacher, wenn Sie die Schrauben erst festziehen, wenn das ganze Möbelstück zusammengesetzt ist.
- Achten Sie darauf, dass das Mini-Bettchen bzw. die Wiege auf einer ebenen, festen Unterlage steht. Wenn das Bett zusammengesetzt ist, sind alle Schrauben nachzuziehen und auf ihren festen Sitz zu überprüfen. Lose Schrauben und lockere Teile können dazu

führen, dass sich das Kind einklemmt oder dass es mit der Kleidung (Bändchen am Hals, Schnullerkordel) hängen bleibt und keine Luft bekommt.

- Stellen Sie das Bettchen niemals in die Nähe von offenem Feuer oder anderen Wärmequellen wie Heizstrahler, Gasofen u.ä. Brandgefahr!
- Die Wiege bzw. Krippe nicht benutzen, wenn Teile defekt sind oder fehlen. Nur von STOKKE® zugelassene Ersatzteile verwenden.

- Verwenden Sie nur Zubehör und Ersatzteile der Firma STOKKE®, da Sie anderenfalls die Sicherheit Ihres Kindes aufs Spiel setzen.
- Achten Sie darauf, dass nichts im Bett oder in der Nähe des Betts liegt, auf das sich das Kind stellen oder an dem es sich verschlucken oder erdrasseln kann, z.B. Kordeln, Rollo- oder Gardinenbänder usw.
- Bitte nicht mehr wie eine Matratze gleichzeitig verwenden.

## Beschwerderecht und Erweiterte Garantie

Gilt weltweit für Bett STOKKE® SLEEPi™, im Folgenden, als das „Produkt“ bezeichnet.

### BESCHWERDERECHT

Der Kunde hat das Recht, sich gemäß den jeweils gültigen Verbraucherschutzgesetzen, die von Land zu Land unterschiedlich sein können, zu beschweren.

Im Allgemeinen gewährt STOKKE AS keine weiteren Rechte zu den jeweils gültigen gesetzlichen Rechten, obwohl auf die unten erläuterte „Erweiterte Garantie“ verwiesen wird. Die Rechte des Kunden im Rahmen der jeweils gültigen Verbraucherschutzgesetze gelten zusätzlich zu den Rechten der „Erweiterten Garantie“ und werden davon nicht berührt.

### STOKKE®, „ERWEITERTE GARANTIE“

STOKKE AS, Parkgata 6, N-6003 Ålesund (Norwegen) bietet jedoch eine erweiterte Produktgarantie für Kunden an, die ihr Produkt über unsere Website [www.stokke-warranty.com](http://www.stokke-warranty.com) in unserer Datenbank registrieren. Nach erfolgter Registrierung erhält der Kunde die Garantiekarte per E-Mail oder Briefpost.

Die Registrierung in der Garantiedatenbank gewährt dem Besitzer einer „Erweiterten Garantie“ folgende Rechte:

- 7 Jahre Garantie hinsichtlich Herstellungsfehlern am Produkt.

Die „Erweiterte Garantie“ gilt auch, wenn das Produkt als Geschenk erhalten oder gebraucht erworben wurde. Daher kann die „Erweiterte Garantie“ von jedem in Anspruch genommen werden, der innerhalb des Garantiezeitraums Besitzer des Produkts ist, vorausgesetzt er/sie kann den Garantieschein vorlegen.

### Die „Erweiterte Garantie“ von STOKKE® gilt unter folgenden Bedingungen:

- Üblicher Gebrauch.
- Das Produkt wird nur für den vorgesehenen Zweck verwendet.
- Das Produkt wird im normalen Maß gepflegt, siehe Pflege/Gebrauchsanweisung.
- Bei Inanspruchnahme der „Erweiterten Garantie“ muss der Garantieschein gemeinsam mit dem Originalkaufbeleg (mit Datum) vorgelegt werden. Dies gilt auch für Besitzer, die das Produkt gebraucht erworben haben, oder Nachbesitzer.
- Das Produkt ist in seinem Originalzustand, d.h. die verwendeten Teile stammen von STOKKE® und sind nur für den Gebrauch mit oder in Verbindung mit dem Produkt gedacht. Alle Abweichungen hiervon erfordern eine vorherige schriftliche Zustimmung von STOKKE®.
- Die Seriennummer des Produkts ist vorhanden und wurde nicht entfernt.

### Die „Erweiterte Garantie“ von STOKKE® deckt Folgendes nicht ab:

- Zustände, die durch normale Entwicklungen an den Teilen des Produkts entstehen (z. B. Farbveränderungen, Abnutzung).
- Zustände, die durch geringfügige Abweichungen an den Materialien entstehen (z. B. Farbunterschiede zwischen Teilen).

- Zustände, die durch großen Einfluss externer Faktoren wie Sonne/Licht, Temperatur, Feuchtigkeit, Umweltverschmutzung, usw. verursacht werden.
- Schaden, der durch Unfälle/Unfälle entsteht, zum Beispiel Zusammenstoß von anderen Objekten mit dem Produkt oder Personen, die das Produkt durch Zusammenstoß umkippen. Dasselbe gilt, wenn das Produkt überlastet wird, zum Beispiel durch zu schweres Gewicht oder Fahren über sehr unebene Oberflächen.
- Schaden, der durch externen Einfluss am Produkt verursacht wird, zum Beispiel, wenn das Produkt als Gepäck versendet wird.
- Folgeschäden, zum Beispiel Schaden, der an Personen und/oder anderen Gegenständen verursacht wird.
- Wenn das Produkt mit Zubehör ausgestattet wurde, die nicht von STOKKE® stammen, wird die „Erweiterte Garantie“ ungültig.
- Die „Erweiterte Garantie“ gilt nicht für Zubehör, das zusammen mit dem Produkt oder zu einem späteren Zeitpunkt erworben oder zur Verfügung gestellt wird.

### STOKKE® wird im Rahmen der „Erweiterten Garantie“:

- die fehlerhaften Teile ersetzen oder – nach STOKKE®s Ermessen – reparieren oder bei Bedarf das Produkt als Ganzes ersetzen, vorausgesetzt das Produkt wird zu einem Wiederverkäufer gebracht.
- die üblichen Transportkosten für Ersatzteile/das Produkt von STOKKE® an den Wiederverkäufer, von dem das Produkt erworben wurde, übernehmen. Im Rahmen dieser Garantie werden keine Reisekosten des Käufers übernommen.

- sich das Recht vorbehalten, zum Zeitpunkt, zu dem die Garantie in Anspruch genommen wird, fehlerhafte Teile durch Teile zu ersetzen, die ein ähnliches Design haben.
- sich das Recht vorbehalten, in Fällen, in denen das entsprechende Produkt zum Zeitpunkt, zu dem die Garantie in Anspruch genommen wird, nicht mehr hergestellt wird, ein Ersatzprodukt zu liefern. Solch ein Produkt wird von entsprechender Qualität und entsprechendem Wert sein.

### Inanspruchnahme der „Erweiterten Garantie“:

Im Allgemeinen müssen alle Anfragen hinsichtlich der „Erweiterten Garantie“ an den Wiederverkäufer gerichtet werden, von dem das Produkt erworben wurde. Solch eine Anfrage muss sobald wie möglich nach Entdeckung eines Fehlers erfolgen und mit dem Garantieschein und dem Originalkaufbeleg eingeschickt werden.

Es muss eine Dokumentation/ein Nachweis zur Bestätigung des Herstellerfehlers vorgelegt werden, üblicherweise, indem das Produkt zum Wiederverkäufer gebracht wird Mitarbeiter oder anderweitig dem Wiederverkäufer oder einem Verkäufer von STOKKE® zur Prüfung vorgelegt wird.

Der Fehler wird gemäß den vorangegangenen Mitarbeiter behoben, wenn der Wiederverkäufer oder ein Verkäufer von STOKKE® feststellt, dass der Schaden durch einen Herstellerfehler entstanden ist.

# DK VIGTIGT – OPBEVARES TIL SENERE BRUG. LÆSES OMHYGGELIGT IGENNEM!

## Tillykke med din nye Stokke® Sleepi™!

med STOKKE® SLEEPITM har du nu fået en seng der kan bruges allerede fra fødslen og som vokser i takt med dit barn.

### Stokke® Sleepi™ Mini

- Når barnet er i stand til at sidde, knæle eller hæve sig op, må Minisengen ikke længere bruges til dette barn.
- Sørg for, at afstanden fra madrassen til kanten af Minisengen aldrig er mindre end 20 cm. Hvis du bruger den originale madras fra STOKKE®, er du sikker på det.
- Lad ikke andre børn lege i nærheden af Minisengen uden opsyn.
- Sørg for, at Minisengen er låst i en fast position, når barnet ligger i den uden opsyn.

### Stokke® Sleepi™ Bed

- Sengebunden kan indstilles i fire højder. Sørg for, at afstanden fra madrassen til sengekanten aldrig er mindre end 30 cm i højeste stilling og 50 cm i laveste stilling. Det er markeret med et niveaumærke på fodenden (↘). Hvis du bruger den originale madras fra STOKKE®, er du sikker på det.
- Det sikreste er altid at placere sengebunden i laveste stilling, når sengen bru-

ges som babyseng. Så snart barnet kan sidde oprejst eller hæver sig op, skal sengebunden sænkes.

- Sørg for, at holde medicin, snore, elastikker, småt legetøj og småting som mønter ol. uden for rækkevidde fra enhver position i sengen.
- For at undgå skader, hvis dit barn falder, når det kravler ind og ud af sengen, må du ikke længere bruge Sleepi® Bed™ som en tremmeseng. Du kan overveje at fjerne en af siderne på sengen og sætte bunden i laveste stilling. På den måde kan dit barn selv kravle sikkert ind og ud af sengen. Hvis du gør det, er det vigtigt, at du fjerner hjulene.

### Rengøring og vedligeholdelse

MADRASSEN: Madrasbetræk: Kan vaskes på 60 grader. Strækkes i våd tilstand. Brug ikke tørretumbler.

Skum: Kan varmebehandles op til 60 grader og vaskes/skylles i varmt vand. Efter et uheld med sengeveddning bør madrassen altid vaskes for at undgå skimmelsvamp. TRÆVÆRK: Kan vaskes af med en fugtig klud. Overskydende vand tørres af. Vi anbefaler ikke brug af sæbe. Farven kan ændre sig hvis den udsættes for sollys.

DAGLIG BRUG: Fjern dynen hver morgen, så både seng og dyne luftes, afkøles og tørres.

### ANBEFALET MADRASSTØRRELSE

Sengen er beregnet til brug med en madras, der er 677 mm bred, 1210 mm lang og 80 mm tyk (Sleepi) eller 573 mm bred, 733 mm lang og 80 mm i tyk (Mini) og har samme form som babysengen/Minisengen. Bredden og længden er angivet, fordi det er vigtigt, at afstanden mellem madrassen og sengesiderne og -enderne ikke overstiger 30 mm. Derved mindses risikoen for, at barnet falder ned i revnen. Madrastykkelsen er angivet for at sikre, at babysengen har en større dybde end 500 mm, når sengebunden er sat i den nederste stilling. Derved mindses risikoen for, at barnet kravler ud af eller falder ud af sengen.

### Information om den nye madras

- Sammenpressede madrasser genvinder deres oprindelige form efter 72-96 timer.
- Polyuretanskum har en karakteristisk lugt, som kan blive hængende i madrassen et par dage efter udpakning, men den forsvinder. Luftning og støvsugning af madrassen er med til at få lugten til at forsvinde.

## ! VIGTIGT!

Læs omhyggeligt denne brugsanvisning igennem, og følg den i alle detaljer for ikke at gå på kompromis med baby-/Minisengens sikkerhed. Gem brugsanvisningen til senere brug. Pas godt på unbrakonøglene, den får du brug for senere. Efter 2-3 ugers brug bør alle skruer efterspændes.

- Ved samling af baby-/Minisengen anbefaler vi, at ingen af skruerne tilspændes før hele enheden er samlet. På den måde er det nemmest at samle sengen.
- Sørg for at baby-/Minisengen placeres på et vandret og stabilt underlag. Kontrollér og stram alle beslag og skruer efter samling af sengen. Beslag og skruer skal kontrolleres regelmæssigt og efterspændes efter behov. Løse skruer og dele medfører risiko for,

- at barnet eller barnets tøj (f.eks. snore, halskæder, suttekæder) kommer i klemme, hvorved barnet risikerer at blive kvælt.
- Sæt aldrig baby-/Minisengen i nærheden af åben ild eller andre stærke varmekilder såsom elvarmere, gasovne ol. på grund af brandfare.
- Benyt ikke baby-/Minisengen, hvis nogle af delene er defekte eller mangler, og brug kun godkendte reservedele fra STOKKE®.

- Brug ikke tilbehør eller reservedele, der ikke er fremstillet af STOKKE®, da det kan bringe barnets sikkerhed i fare.
- Efterlad ikke løse ting i sengen, og placer ikke sengen i nærheden af genstande, som barnet kan kravle op på, eller som udgør en kvælningfare, f.eks. snore, gardinsnore osv.
- Benyt aldrig mere end én madras i sengen.

## Klageret og Udvidet Garanti

Gældende over hele verden for seng Stokke® Sleepi™ herefter benævnt som produktet.

### Reklamationsret

Kunden har reklamationsret i henhold til den til enhver tid gældende brugerbeskyttelseslovgivningen. Denne lovgivning kan variere fra land til land.

Generelt yder STOKKE AS ikke yderligere rettigheder udover dem, der er stipuleret af den enhver tid gældende lovgivning, skønt der henvises til den "Udvidede Garanti" beskrevet nedenfor. De rettigheder, kunden ifølge den til enhver tid gældende forbrugerbeskyttelseslovgivning har, er et supplement til den "Udvidede Garanti" og påvirkes ikke heraf.

### Stokke® "udvidede garanti"

Men STOKKE AS, Parkgata 6, N-6003 Ålesund, Norge, yder en "udvidet garanti" til kunder, der registrerer deres produkt i vores garantidatabase. Det kan gøres via vores hjemmeside [www.stokkewarranty.com](http://www.stokkewarranty.com). Efter registrering vil der blive udstedt et garantibevis, som sendes til kunden elektronisk (e-mail) eller med almindelig post.

Registrering i Garanti-databasen berettiger ejeren til en "Udvidet Garanti" som følger:

- **7-års garanti** mod alle fabrikkationsfejl ved produktet.

Den "Udvidede Garanti" gælder også, hvis produktet er modtaget som gave eller er købt brugt. Som følge heraf kan den "Udvidede Garanti" bringes i anvendelse af hvem der end måtte være produktets ejer til hver en tid, inden for garantiperioden og afhængigt af at garantibeviset fremvises af ejeren.

### Stokke® "udvidede Garanti" er betinget af følgende:

- Normalt brug.
- At produktet kun har været brugt til det formål, produktet er beregnet til.
- At produktet har gennemgået almindelig vedligeholdelse som beskrevet i vedligeholdelses-/Brugsvejledningen.
- Når den "Udvidede Garanti" bringes i anvendelse, skal garantibeviset fremvises sammen med den originale datomærkede bon. Dette gælder også for alle sekundære eller efterfølgende ejere.
- At produktet optræder i original stand. Herunder, at de eneste dele der er anvendt er blevet leveret fra STOKKE® og er beregnet til brug på eller sammen med produktet. Alle afvigelse herfra kræver forudgående samtykke fra STOKKE®.
- At produktets serienummer ikke er blevet ødelagt eller fjernet.

### Stokke® "Udvidede Garanti" dækker ikke:

- Problemer som følge af normal udvikling i de dele, der udgør produktet (f.eks. farveændringer så vel som slitage).
- Problemer som følge af mindre materialeforskelle (f.eks. farveforskelle på dele).

- Problemer som følge af voldsomme indvirkninger fra eksterne kilder som sollys, temperatur, fugtighed, miljøforurening, etc.
- Skader anrettet af ulykker/mindre uheld — for eksempel hvis andre former for objekter støder ind i produktet eller hvis en person vælter produktet, fordi det støder ind i andre objekter. Det samme gælder hvis produktet overbelastes, for eksempel ved den vægt, der lægges på det.
- Skader påført produktet via ekstern indvirkning, for eksempel når produktet fragtes som bagage.
- Følgeskader, for eksempel skader påført personer og/eller genstande af enhver art.
- Hvis produktet er blevet udstyret med nogen former for tilbehør, som ikke er leveret af STOKKE®, vil den "Udvidede Garanti" bortfalde.
- Den "Udvidede Garanti" vil ikke dække tilbehør, som er købt eller leveret sammen med produktet, eller på et senere tidspunkt.

### Under den "Udvidede Garanti" vil Stokke®:

- Udskifte eller — efter STOKKE®s skøn — reparere den defekte del eller produktet i dets helhed (om nødvendigt), forudsat at produktet afleveres til en forhandler.
- Dække normale transportomkostninger for alle udskiftningsdele/-produkter fra STOKKE® til den forhandler, hvor produktet er købt. Garantibetingelserne dækker ikke købers eventuelle rejsekostninger.
- Forbeholde sig retten til at udskifte, på det tidspunkt hvor garantien bringes i anvendelse, defekte dele med dele af nogenlunde samme type.
- Forbeholde sig retten til at levere et erstatningsprodukt i de tilfælde, hvor det

relevante produkt ikke længere fremstilles på det tidspunkt, hvor garantien bringes i anvendelse. Sådanne produkter skal være af tilsvarende kvalitet og værdi.

### Sådan bringes den "Udvidede Garanti" i anvendelse:

Generelt skal alle henvendelser, der har med den "Udvidede Garanti" at gøre, rettes til den forhandler, hvor produktet er købt. Sådanne henvendelser skal rettes så hurtigt som muligt efter fejlen er opdaget og skal ledsages af garantibeviset samt den originale bon. Dokumentation/bevis, der bekræfter fabriksfejlen, skal fremlægges, som regel ved at bringe produktet tilbage til forhandleren, eller på anden vis fremlægges til inspektion af forhandleren eller en salgsrepræsentant fra STOKKE®.

Hvis forhandleren eller salgsrepræsentanten fra STOKKE® konstaterer, at skaden skyldes en fabriksfejl, vil den blive udbedret i overensstemmelse med ovenstående bestemmelser.

EN 716:2017





# ES ¡¡IMPORTANTE! LÉALAS ATENTAMENTE Y CONSÉRVELAS PARA FUTURAS CONSULTAS.

## Le felicitamos por la adquisición de su nueva Stokke® Sleepi™

Con Stokke® Sleepi™ adquiere usted una cama que se puede utilizar desde el nacimiento de su hijo y que crecerá con él.

### Stokke® Sleepi™ Mini

- Deje de utilizar Mini cuando el niño haya logrado sentarse, arrodillarse o ponerse en pie por sí mismo.
- Asegúrese de que la distancia entre el colchón y el borde superior de la Mini nunca sea inferior a 20 cm. Evitará este problema utilizando el colchón original de STOKKE®.
- No deje que otros niños jueguen sin vigilancia cerca de la Mini.
- Antes de dejar al niño solo en la Mini compruebe que las ruedas estén bloqueadas (con el freno echado).

### Cama Sleepi Stokke® Sleepi™

- La altura del somier de la cama puede regularse a cuatro posiciones diferentes. Asegúrese de que la distancia entre el colchón y el borde superior de la cama sea de 30 cm como mínimo a la altura más alta y de 50 cm a la más baja. Este nivel se indica

con una marca en el extremo de la cama (☒). Evitará este problema adquiriendo el colchón original de STOKKE.

- La posición más baja del somier es siempre la más segura. En cuanto el niño logre sentarse o ponerse de pie en la cama, habrá que bajar el somier.
- Asegúrese de que los medicamentos, cordones, monedas, juguetes y otros objetos de pequeño tamaño queden fuera del alcance del niño desde cualquier posición de la cama.
- Si el niño puede trepar para entrar o salir de la cuna por sí solo, evita utilizar Sleepi® Bed™ como cuna para prevenir lesiones por caídas. Ten en cuenta que se puede retirar uno de los laterales de la cuna y ajustar la base en la posición más baja. De esta manera, el niño puede subir y bajar solo de forma segura. En esta configuración es importante retirar las ruedas.

### Limpieza y Mantenimiento

**COLCHÓN:** Funda: lavable a 60 grados. Estirarlo mientras está mojado. No utilizar la secadora eléctrica.

**Espuma:** Se puede lavar con agua caliente hasta 60° C. Lavar el colchón cada vez que el niño moje la cama, dado que la orina es un excelente agente de desarrollo de moho.

**COMPONENTES DE MADERA:** Limpiar con un trapo limpio y húmedo y secar bien después. Se desaconseja el uso de detergente. La exposición al sol puede decolorar la madera.

**USO DIARIO:** Airear la cama todas las mañanas: retirar el edredón y dejar que se enfríen y se sequen el edredón y la cama.

### Tamaño de colchón recomendado

Esta cama ha sido fabricada para utilizar con un colchón de: 677 mm de ancho, 1.210 mm de largo y 80 mm de espesor para la Sleepi, y 573 mm de ancho, 733 mm de largo y 80 mm de espesor para la Mini y que se adapta perfectamente a la forma de la cuna/la cama. El ancho y el largo se especifican porque es importante que el espacio entre el colchón y los laterales/la cabecera/los pies de la cama sea inferior a 30 mm, para evitar que las extremidades del niño puedan quedar atrapadas. El espesor del colchón está indicado para asegurar que la profundidad de la cama, con la base del colchón en la posición más baja, sea superior a 500 mm, con objeto de reducir el riesgo de que el niño salga o se caiga de la cama.

## ! ¡¡IMPORTANTE!

Lea atentamente la presente nota de utilización y siga minuciosamente sus indicaciones para de garantizar la utilización segura de la Mini y la cama. Consérvela en el lugar adecuado y guarde también la llave hexagonal para su uso futuro. Apriete de nuevo todos los tornillos a las 2 ó 3 semanas de uso.

- **Al montar la Mini o la cama se recomienda no apretar completamente los tornillos antes de estar acoplados todos los componentes. Esta es la forma más simple de montarlos.**
- **Monte la Mini y la cama sobre una superficie plana y estable. Después del montaje, verifique y apriete todos los accesorios y los tornillos. Los accesorios y los tornillos deberán ser examinados periódicamente y, en caso de ser necesario, apretados de nuevo, El espacio que queda entre piezas sueltas o mal atornilladas podría causar daños en las extremidades del niño o provocar peligro de**

**estrangulamiento al trabarse entre ellas ciertos accesorios, tales como cintas, cordones, cadenas, etc.**

- **No instale nunca la Mini o la cama en la proximidad de un fuego abierto, ni de ninguna otra fuente de calor como puedan ser un radiador eléctrico o un hornillo de gas, dado el riesgo de incendio que tales aparatos representan.**
- **No utilice la Mini ni la cama si tiene alguna pieza rota o defectuosa, ni si le faltan piezas, y use sólo piezas de repuesto aprobadas por STOKKE®.**

### Información sobre su nuevo colchón

- Los colchones comprimidos recuperan la forma original pasadas entre 72 y 96 horas.
- La espuma de poliuretano tiene un olor característico que puede durar varios días después de desembalar el colchón. Airear y limpiar el colchón con aspirador ayuda a eliminar el olor.
- La espuma reacciona con la luz ultravioleta solar y el oxígeno del aire, por lo que amarilleará con el tiempo.
- El colchón cumple con la norma EN 16890:2017.

## Derecho de reclamación y garantía extendida

De aplicación en todo el mundo en lo concerniente a la cama Stokke® Sleepi™, en adelante «el producto».

### DERECHO DE RECLAMACIÓN

El cliente tiene derecho a la reclamación de conformidad con la legislación aplicable de protección al consumidor en cualquier momento, teniendo en cuenta que la legislación puede variar en función del país de que se trate.

Por lo general, STOKKE AS no otorga derechos complementarios que supongan una mejora de los establecidos en la legislación aplicable en cualquier momento, aunque se hará referencia a la «Garantía Extendida» a continuación. Los derechos del consumidor bajo la legislación aplicable de protección al consumidor en cualquier momento, son complementarios a las garantías de la «Garantía Extendida» y no afectos a la misma.

### «GARANTÍA EXTENDIDA» DE STOKKE

Sin embargo, STOKKE AS, Parkgata 6, N-6003 Ålesund, Noruega, otorga una "garantía extendida" a clientes que registren su producto en nuestra base de datos de la garantía. Esto se puede hacer a través de la página web [www.stokkewarranty.com](http://www.stokkewarranty.com). Tras el registro, se emite un certificado de garantía que se envía al cliente por correo electrónico o postal.

El registro en la Base de Datos de Garantías da derecho al propietario a la «Garantía Extendida» que consta de:

- Una garantía de siete años contra cualquier defecto de fabricación del producto.

La «Garantía Extendida» también es aplicable si el producto se ha recibido como regalo o si se ha comprado de segunda mano. Por lo tanto, cualquier persona que sea propietaria del producto podrá apelar a la «Garantía Extendida» en cualquier momento, siempre dentro del periodo de garantía y con la condición de la presentación del certificado de garantía por parte del propietario.

### La «Garantía Extendida» de STOKKE depende del cumplimiento de las siguientes condiciones:

- Uso normal.
- El producto sólo podrá haberse utilizado para el fin destinado.
- El producto habrá tenido el mantenimiento necesario, siguiendo las instrucciones del manual de mantenimiento o instrucciones.
- Tras la apelación a la «Garantía Extendida», se presentará el certificado de garantía, junto con el recibo de compra original con sello que incluya la fecha de compra. Esto también será de aplicación para propietarios secundarios o posteriores.
- El producto deberá presentarse en su estado original, y, dentro de esta condición, las piezas utilizadas deberán ser sólo las que haya suministrado STOKKE cuyo fin es su uso en o junto con el producto. Cualquier modificación de esta condición requerirá el consentimiento previo por escrito de STOKKE®.

- El número de serie del producto no podrá haber sido destruido o retirado.

### Las siguientes circunstancias no quedarán cubiertas por la «Garantía Extendida» de STOKKE:

- Problemas a causa de la evolución normal de las piezas que componen el producto (p. ej. cambios de color, así como desgaste).
- Problemas a causa de pequeñas variaciones en los materiales (p. ej. diferencias de color entre las piezas).
- Problemas a causa de la influencia de factores externos tales como la luz solar, temperatura, humedad, contaminación ambiental, etc.
- Daños a causa de accidentes o infortunios, por ejemplo por cualquier otro objeto que haya golpeado el producto o por cualquier persona que haya volcado el producto al chocar con él. Lo mismo ocurrirá en caso de que el producto se sobrecargue, por ejemplo por el peso que se coloque encima del mismo.
- Daños ocasionados en el producto por influencia externa, por ejemplo cuando el producto se envíe como equipaje.
- Daños indirectos, por ejemplo, daños causados a cualquier persona y/o a cualquier otro objeto u objetos.
- Si el producto se equipara con accesorios no suministrados por Stokke, prescribirá la «Garantía Extendida».

- La «Garantía Extendida» no será aplicable a accesorios que se hayan comprado o suministrado junto con el producto o en una fecha posterior.

### Bajo la «Garantía Extendida», STOKKE hará lo siguiente:

- Reemplazar o, si STOKKE así lo prefiere, reparar la pieza defectuosa, o el producto íntegro (si fuera necesario) con la condición de que el producto se entregue a un distribuidor.
- Cubrir los costes normales de transporte para cualquier pieza o producto de reemplazo de STOKKE enviado al distribuidor del que se haya adquirido el producto. Ningún gasto de viaje por parte del comprador quedará cubierto bajo las condiciones de la garantía.
- Reservarse el derecho a sustituir, en el momento en el que se haga uso de la garantía, las piezas defectuosas con piezas que sean aproximadamente del mismo diseño.
- Reservarse el derecho a suministrar un producto sustitutivo en el caso en el que el producto en cuestión ya no se esté fabricando en el momento en que se haga uso de la garantía. Tal producto será de una calidad y un valor equivalentes.

### Cómo hacer uso de la «Garantía Extendida»:

Por lo general, todas las peticiones que se refieran a la «Garantía Extendida» se harán al distribuidor del que se haya comprado el producto. Estas peticiones se harán a la menor brevedad tras la detección de cualquier defecto, y se acompañarán del certificado de garantía así como del recibo original de compra.

La documentación o pruebas que confirmen el defecto de fabricación normalmente se presentarán al llevar el producto al distribuidor o, en otro caso, presentándolas al distribuidor o a un representante de ventas de STOKKE para su inspección.

El defecto se subsanará de acuerdo con las disposiciones anteriores si el distribuidor o un representante de ventas de STOKKE determinaran que el daño lo ha producido un defecto de fabricación.

- **El uso de piezas de recambio o accesorios que no sean los suministrados por STOKKE® puede afectar a la seguridad del niño.**
- **No deje en la cama o cerca de ella objetos en los que el niño pueda apoyar los pies o que presenten el riesgo de causar asfixia o estrangulamiento, como por ejemplo cuerdas, cordeles de persianas/cortinas, etc.**
- **No usar más de un colchón en la cuna.**



# FI TÄRKEÄÄ – SÄILYÄ TULEVAA KÄYTTÖÄ VARTEN. LUE OHJEET HUOLELLISESTI!

## Onnittelemme uuden Stokke® Sleepi™ – sängyn omistajaa!

Stokke® Sleepi™ on sänky, jota lapsi voi käyttää syntymästään lähtien – se kasvaa hänen mukanaan.

### Stokke® Sleepi™ Mini

- Kun lapsi pystyy istumaan ilman tukea, nousemaan polvilleen, tai seisomaan omin voimin, hänen ei tule enää nukkua Mini-sängyssä.
- Varmista, että patjan yläreunan ja Mini-sängyn yläreunan välinen etäisyys ei ole koskaan vähemmän kuin 20 cm. Ongelma vältetään käyttämällä alkuperäistä STOKKE®-patjaa.
- Älä anna lasten leikkiä Mini-sängyn läheisyydessä ilman valvontaa.
- Varmista, että Mini-sängyn kaikki pyörät ovat lukittuina, kun jätät lapsen sängyn ilman valvontaa.

### Stokke® Sleepi™ Bed

- Lastensängyn pohjan voi asettaa neljään peruskorkeuteen. Varmista, että patjan yläreunan ja lastensängyn yläreunan välinen etäisyys ei ole koskaan vähemmän kuin 30 cm pohjan ollessa ylimässä asennossa, ja vähintään 50 cm alimmassa

asennossa. Tämä korkeus on merkitty lastensängyn päätyyn (Σ). Ongelma vältetään käyttämällä alkuperäistä STOKKE®-patjaa.

- Lastensängyn pohjan alin asento on aina turvallisin. Heti kun lapsi osaa istua ja pääsee seisomaan omin voimin, lastensängyn pohja täytyy asettaa alempaan asentoon.
- Varmista, että lääkkeet, kumi- ja muut nauhat, pienet leikkikalut sekä muut pik-kuesineet pidetään aina riittävän kaukana lastensängystä lapsen ulottumattomissa.
- Kun lapsesi pystyy itse kipeämään sängyn ja sieltä pois, Sleepi® Bed™ –sänkyä ei saa putoamis- ja loukkaantumisvaaran vuoksi enää käyttää pinnasängynä. Halutessasi voit poistaa yhden laidan ja laskea sängyn pohjan alimpaan asentoon. Sen jälkeen lapsesi pystyy kipeämään sängyn ja sieltä pois turvallisesti. Tässä tapauksessa pyörät on ehdottomasti irrotettava.

### Puhdistus ja huolto

PATJA: Patjanpäällinen: Pesunkestävä 60 °C lämmössä. Venytä ja oio kosteana. Älä käytä rumpukuivainta.

Täytevahto: Voidaan käsitellä 60 °C lämmössä sekä pestä ja huuhdella kuumalla vedellä. Patja on pestävä aina vuoteenkaustelun jälkeen, sillä virtsa on erinomainen homesienien kasvualusta.

- **Kun kokoat Mini-sängyn tai lastensängyn, älä kiristä ruuveja täysin ennen kuin kaikki osat ovat paikoillaan. Näin kokoaminen käy helpommin.**
- **Sänky tulee koota tasaiselle ja tukevalle alustalle. Kun olet koonnut sängyn, tarkista kaikki liitokset ja ruuvit ja kiristä ne. Liitokset ja ruuvit tulee tarkastaa säännöllisesti ja kiristää tarvittaessa. Irronneet ruuviliitokset tai osat voivat aiheuttaa tukehtumisvaaran tai mahdollisesti muita vammoja, koska lapsen keho tai hänen**

PUUOSAT: Pyyhi puhtaalla kostealla kankaalla niin, että pinta jää kuivaksi. Emme suosittele pesuaineen käyttöä. Väripinta saattaa muuttua, jos sänky jätetään pitkäksi aikaa auringonvaloon.

NORMAALI KÄYTTÖ: Poista tikki sängystä aamuisin ja laita se tuulettumaan ja kuivumaan.

### Suosittelu patjan koko

sleepi-sängyssä käytetään patjaa, jonka leveys on 677 mm, pituus 1210 mm ja paksuus and 80 mm. Lastensängyssä ja Mini-sängyssä käytetään omaa, niihin muotoiltua patjaa, jonka leveys on 573 mm, pituus 733 mm ja paksuus 80. Leveys ja pituus on tarkoin määritetty, koska patjan ja sängyn sivu- sekä päätyosien väliin jäävä rako saa olla korkeintaan 30 mm. Näin lapsen raajat eivät voi jäädä kiinni niihin. Patjan paksuus on määritetty siten, että sängyn syvyys on yli 500 mm, kun patjan pohjan on alimmassa säätöasennossa. Näin vältetään vaara, että lapsi voisi kiivetä pois tai pudota sängystä.

- **vaatteensa (esim. niissä olevat kiristysnauhat, kaulaketjut, tutin nauhat, jne.) voivat tarttua niihin.**
- **Älä koskaan sijoita Mini-sänkyä/lastensänkyä avotulen tai voimakkaan lämmönlähteen, esim. uunin, lämpöpatterin, kaasulieden yms. läheisyyteen, sillä ne voivat aiheuttaa tulipalon.**
- **Älä käytä Min-sänkyä/lastensänkyä, jos siinä on särkyneitä tai puuttuvia osia. Käytä ainoastaan STOKKEN hyväksymiä varaosia.**

### Tietoa uudesta patjasta

- Kokoon puristunut patja palautuu alkuperäiseen muotoonsa 72-96 tunnin kuluuttua.
- Polyuretaanivaahdon ominaisuutuksun haihtuminen saattaa kestää muutaman vuorokauden pakkauksen avaamisesta. Tuoksu häviää täysin. Patjan tuuletus ja imurointi nopeuttavat tuoksen haihtumista.
- Vaahtomateriaali reagoi auringon ultravioletti säteilyyn ja ilmassa olevaan happeen, jolloin sen väri muuttuu vähitellen keltaiseksi.
- Patja täyttää EN 16890:2017 –standardin vaatimukset.

## ! TÄRKEÄÄ!

Lue esitetyt ohjeet huolellisesti ja noudata niitä. Näin varmistat, että Mini-sängyn ja lastensängyn käyttö on aina turvallista. Säilytä ohjeet tulevaa käyttöä varten. Pidä kuusiokoloavain tallessa tulevaa käyttöä varten. Kiristä kaikki ruuvit 2-3 viikon kuluttua kokoonpanosta.

## Valitusoikeus ja Laajennettu takuu

Voimassa maailmanlaajuisesti koskien pinnasänkyä Stokke® Sleepi™, jota alempana kutsutaan tuotteeksi.

### VALITUSOIKEUS

Asiakkaalla on kulloinkin sovellettavan kuluttajansuojalainsäädännön mukainen valitusoikeus; lainsäädäntö voi vaihdella maittain. Yleisesti ottaen STOKKE AS ei myönnä mitään lisäoikeuksia kulloinkin sovellettavan lainsäädännön määräämän lisäksi, vaikka viitataankin alla kuvattuun "Laajennettuun takuuseen". Asiakkaan kulloinkin sovellettavan kuluttajansuojalainsäädännön mukaiset oikeudet tulevat "Laajennetun takuun" lisäksi, eikä se vaikuta niihin.

### STOKKEN "LAAJENNETTU TAKUU"

STOKKE AS, Parkgata 6, N-6003 Ålesund, Norja, kuitenkin myöntää laajennetun takuun asiakkaille, jotka rekisteröivät tuotteen takuutietokantaamme. Tämä voidaan tehdä osoitteessa [www.stokkewarranty.com](http://www.stokkewarranty.com). Kun tiedot on rekisteröity, asiakkaalle lähetetään takuutodistus sähköpostitse tai tavallisena kirjeenä.

Rekisteröityminen Takuutietokantaan oikeuttaa omistajan "Laajennettuun takuuseen" seuraavasti:

- 7 vuoden takuu tuotteen valmistusvian varalta.

"Laajennettu takuu" pätee myös, jos tuote on saatu lahjana tai ostettu käytettynä. Täten "Laajennettuun takuuseen" voi vedota kuka tahansa, joka on kulloinkin tuotteen omistaja takuuajana, sillä ehdolla, että omistaja esittää takuutodistuksen.

### STOKKEN "Laajennettu takuu" on seuraavien ehtojen alainen:

- Normaali käyttö.
- Tuotetta on käytetty vain sen käyttötarkoitukseen.
- Tuotetta on huollettu normaalisti huolto-/käyttöohjeessa kuvatulla tavalla.
- "Laajennettuun takuuseen" vedottaessa on esitettävä takuutodistus ja alkuperäinen päiväyksellä varustettu ostokuitti. Tämä koskee myös toista tai myöhempää omistajaa.
- Tuote on alkuperäisessä tilassaan, ja kaikki käytetyt osat ovat STOKKEN toimittamia ja tarkoitettuja käytettäväksi tuotteessa tai sen kanssa. Kaikki poikkeamat tästä vaativat STOKKEN kirjallisen ennakkosuostumuksen.
- Tuotteen sarjanumeroa ei ole tuhottu tai poistettu.

### STOKKEN "Laajennettu takuu" ei kata:

- Tuotteen muodostavien osien normaalin kehityksen aiheuttamia seikkoja (esim. värimuutokset ja kuluminen)
- Materiaalien pienten vaihteluiden aiheuttamia seikkoja (esim. värierot osien välillä)
- Ulkoisten tekijöiden, kuten auringon/valon, lämpötilan, kosteuden, ympäristösaasteiden jne., äärimmäisen vaikutuksen aiheuttamia seikkoja

- Tapaturmien/onnettomuuksien – esimerkiksi muiden esineiden törmäminen tuotteeseen, henkilön törmäminen tuotteeseen aiheuttaen tuotteen kaatumisen, kaatuminen tai törmäys oveen tai muuhun esteeseen – aiheuttamaa vauriota. Sama pätee, jos tuote on ylikuormitettu tai tuotetta on ylirasitettu, esimerkiksi laittamalla siihen liikaa painoa tai liikuttamalla sitä erittäin epätasaisella pinnalla
- Ulkoisen vaikutuksen tuotteeseen aiheuttamaa vauriota, esimerkiksi kuljettaessa tuotetta matkatavaran
- Väillillisä vahinkoja, esimerkiksi henkilöille ja/tai esineille aiheutettuja vammoja tai vaurioita
- Jos tuotteeseen on asennettu lisävarusteita, jotka eivät ole Stokken toimittamia, "Laajennettu takuu" raukeaa
- "Laajennettu takuu" ei koske lisävarusteita, jotka on hankittu tai toimitettu tuotteen kanssa tai myöhemmin.

### "Laajennetun takuun" puitteissa STOKKE:

- Korvaa tai – mikäli STOKKE katsoo paremmaksi – korjaa viallisen osan tai koko tuotteen (mikäli tarpeen) sillä ehdolla, että tuote toimitetaan jälleenmyyjälle
- Kattaa korvaavan osan/tuotteen normaali kuljetuskulut STOKKELTA jälleenmyyjälle, jolta tuote on ostettu. Takuun puitteissa ei kateta mitään ostajan matkakuluja
- Varaa itselleen oikeuden korvata takuuseen vedottaessa vialliset osat osilla, jotka ovat suunnilleen samarakenteisia
- Varaa itselleen oikeuden toimittaa korvaava tuote tapauksissa, joissa asianomaista

tuotetta ei enää valmisteta takuuseen vedottaessa. Tällaisen tuotteen on oltava vastaava laadultaan ja arvoltaan

### Kuinka vedota "Laajennettuun takuuseen":

Yleisesti ottaen kaikki "Laajennettuun takuuseen" liittyvät pyynnöt on tehtävä jälleenmyyjälle, jolta tuote on ostettu. Tämä pyyntö on tehtävä niin pian kuin mahdollista vian havaitsemisen jälkeen, ja siihen on liitettävä takuutodistus ja alkuperäinen ostokuitti. Dokumentaatio/todiste, joka osoittaa valmistusvian, on esitettävä, yleensä tuomalla tuote jälleenmyyjälle tai muutoin esittämällä se jälleenmyyjälle tai STOKKEN myyntiedustajalle tarkastettavaksi.

Vika korjataan yllä olevien ehtojen mukaisesti, jos jälleenmyyjä tai STOKKEN myyntiedustaja määrittelee, että vaurio on valmistusvian aiheuttama.



EN 716:2017

# FR IMPORTANT ! À CONSERVER POUR TOUTE CONSULTATION ULTÉRIEURE. À LIRE ATTENTIVEMENT !

## Félicitations, vous venez d'acquérir un lit Stokke® Sleepi™!

Avec STOKKE® SLEEPI™, vous disposez maintenant d'un lit que vous pouvez utiliser dès la naissance de votre enfant, et qui grandit avec lui.

### Stokke® Sleepi™ Mini

- Ne plus utiliser le Mini lorsque l'enfant est capable de s'asseoir, de s'agenouiller ou de se redresser pour se mettre debout.
- Veiller à ce que la hauteur entre le matelas et le bord supérieur du Mini soit d'au moins 20 cm. L'utilisation du matelas d'origine STOKKE® permet de résoudre ce problème.
- Ne jamais laisser d'autres enfants jouer sans surveillance à proximité du Mini.
- Avant de laisser l'enfant seul dans le Mini, veiller à ce que les roues soient en position fixe.

### Lit Stokke® Sleepi™

- Le fond du lit est réglable en hauteur, sur quatre différents niveaux. Veiller à ce que la hauteur entre le matelas et le bord supérieur du lit soit d'au moins 30 cm dans la position la plus haute, et 50 cm dans la position la plus basse. Ce niveau est indiqué à l'extrémité du lit (↘). L'utilisation du matelas original STOKKE® est la solution.

- La position la plus basse est toujours la plus sûre. Dès que l'enfant peut s'asseoir ou se redresser, le fond de lit doit être abaissé.
- Veiller à conserver produits pharmaceutiques, cordons, élastiques, petits jouets et objets de petite taille, tels que pièces de monnaie ou autres, hors de portée de l'enfant, quelle que soit sa position dans le lit.
- Pour éviter tout risque de blessures suite à une chute, vous ne devriez plus utiliser le Sleepi® Bed™ en tant que berceau une fois que l'enfant est assez grand pour escalader les barrières du lit. Vous pouvez décider de retirer un des côtés du berceau et de le régler à la position la plus basse. De cette manière, votre enfant pourra entrer et sortir du berceau par lui-même en toute sécurité. Avec cette nouvelle configuration, il est important de retirer les roues du berceau.

### Nettoyage et entretien

MATELAS : Protège-matelas : Lavable à 60 °C. Etirer encore humide. Ne pas utiliser de sèche-linge.

Mousse : Supporte des températures jusqu'à 60°C et est lavable/rinçable à l'eau chaude. Toujours laver le matelas lorsque l'enfant a mouillé son lit, car l'urine est un excellent agent de développement des moisissures.

BOIS : Nettoyer avec un linge propre et humide, puis bien sécher. L'utilisation de tout détergent est déconseillée. Une exposition au soleil peut modifier la couleur du bois. USAGE QUOTIDIEN : retirer la couette tous les matins et laisser le lit et la couette "s'aérer" et sécher.

### Taille de matelas recommandé

Ce lit est destiné à recevoir un matelas de : 677 mm de large sur 1210 mm de long et 80 mm d'épaisseur pour le Sleepi ; 573 mm de large sur 733 mm de long et 80 mm d'épaisseur pour le Mini. Le matelas sera parfaitement adapté à la forme du lit/mini-lit. La largeur et la longueur sont précises car il est important que l'espace entre le matelas et les côtés / extrémités du matelas ne dépasse pas 30 mm, afin que l'enfant ne puisse s'y coincer. L'épaisseur de matelas est indiquée pour s'assurer que la profondeur du lit est au minimum de 500 mm avec le fond du matelas en position la plus basse, afin de réduire les risques de voir l'enfant sortir ou tomber du lit.

### Informations sur votre nouveau matelas

- Les matelas comprimés retrouvent leur forme initiale au bout de 72 à 96 heures.

- La mousse de polyuréthane présente une odeur caractéristique pouvant persister quelques jours après le déballage. Cette odeur va disparaître. Vous pouvez aérer et passer l'aspirateur sur le matelas pour éliminer l'odeur plus rapidement.
- La mousse réagit aux rayons UV solaires et à l'oxygène de l'air et jaunira avec le temps.
- Le matelas est conforme à la norme EN 16890:2017.

## ⚠ IMPORTANT !

Lire attentivement toute la notice et suivre scrupuleusement les consignes pour une utilisation du Mini et du lit en toute sécurité. La conserver pour toute consultation ultérieure. Conserver la clé Allen pour tout usage ultérieur. Après 2 ou 3 semaines d'utilisation, veiller à resserrer toutes les vis.

- Lors du montage du Mini ou du lit, il est recommandé de ne pas serrer à fond les vis avant que tous les éléments soient assemblés. C'est la façon la plus simple de les monter.
- Veiller à installer le Mini ou le lit sur une surface plane et stable. Après montage, vérifier et serrer à fond toutes les fixations et les vis. Les fixations et les vis doivent être vérifiées régulièrement et, si nécessaire, resserrées. En cas de pièces ou de raccords mal vissés, l'enfant risque de se pincer ou de coincer l'un de ses vêtements

(par exemple des cordons, chaînes de cou, attache-sucettes, etc.), ce qui peut entraîner un risque de strangulation.

- Ne jamais installer le Mini ou le lit à proximité d'un feu ouvert ou de toute autre source de chaleur, telle que des radiateurs électriques ou à gaz par exemple, étant donné le risque d'incendie que ces appareils présentent.
- Ne pas utiliser le Mini ou le lit d'enfant en cas de pièce brisée, tordue ou manquante, et n'utiliser que les pièces de rechange approuvées par STOKKE®.

- N'utilisez pas d'accessoires ou de pièces de rechange fabriqués par d'autres que STOKKE®; la sécurité de votre enfant pourrait en pâtir.
- Ne rien laisser dans le lit et ne pas placer le lit près d'un autre élément pouvant constituer un marchepied ou présenter un danger d'étouffement ou de strangulation, comme des cordelettes, des cordons de rideau/store, etc.
- N'utiliser qu'un seul matelas dans le lit

## Droit de réclamation et extension de garantie

Applicables dans le monde entier pour le lit STOKKE® SLEEPI™, ci-après dénommé(e)(s) le produit.

### DROIT DE RÉCLAMATION

Le client bénéficie d'un droit de réclamation, conformément à la législation sur la protection des consommateurs applicable à un moment donné, cette législation étant susceptible de varier d'un pays à l'autre.

D'un point de vue général, STOKKE AS n'accorde aucun droit supplémentaire en plus de ceux qui sont établis par la législation applicable à un moment donné, même si une référence est faite à «l'extension de garantie» décrite ci-dessous. Les droits du client au titre de la législation sur la protection des consommateurs applicable à un moment donné viennent s'ajouter à ceux de «l'extension de garantie», qui n'ont aucune influence sur ces derniers.

### «EXTENSION DE GARANTIE» STOKKE®

Toutefois, STOKKE AS, Parkgata 6, N-6003 Ålesund, Norvège, accorde une « Garantie étendue » aux clients qui enregistrent leur produit dans notre Base de données de garantie. Pour cela, il convient de passer par la page Web [www.stokkewarranty.com](http://www.stokkewarranty.com). Lors de l'enregistrement, un certificat de garantie est émis et envoyé au client par voie électronique (e-mail) ou par courrier ordinaire.

L'enregistrement dans la base de données Garantie accordée au propriétaire une «extension de garantie» comme suit :

- Garantie de 7 ans contre tout défaut de fabrication du produit.

«L'extension de garantie» s'applique également si le produit a été reçu en cadeau ou a été acheté d'occasion. Par conséquent, «l'extension de garantie» peut être invoquée par le propriétaire du produit à un moment donné, quel qu'il soit, au cours de la période de garantie et sous réserve de la présentation du certificat de garantie par le propriétaire.

### «L'extension de garantie» STOKKE® dépend des conditions suivantes :

- Utilisation normale.
- Le produit n'a été utilisé que dans le cadre de l'usage qui lui est prévu.
- Le produit a bénéficié d'un entretien ordinaire, tel que décrit dans le manuel d'entretien/d'instructions.
- Lorsque «l'extension de garantie» est invoquée, le certificat de garantie doit être présenté, ainsi que la preuve d'achat d'origine datée. Ceci s'applique également au propriétaire secondaire ou ultérieur.
- Le produit doit apparaître dans son état d'origine, à condition que les seules pièces utilisées aient été fournies par STOKKE® et soient prévues pour une utilisation sur, ou avec, le produit. Toute déviation des présentes nécessite l'accord écrit préalable de STOKKE®.

- Le numéro de série du produit n'a pas été détruit ni retiré.

### «L'extension de garantie» STOKKE® ne couvre pas :

- Les problèmes causés par l'évolution normale des pièces composant le produit (ex. changements de coloration et usure).
- Les problèmes causés par des variations mineures au niveau des matériaux (ex. différences de couleur entre les pièces).
- Les problèmes causés par l'influence extrême de facteurs extérieurs tels que le soleil/la lumière, la température, l'humidité, la pollution environnementale, etc.
- Les dégâts causés par les accidents/incidents, par exemple d'autres objets ayant heurté le produit ou une personne ayant renversé le produit en le heurtant. La même condition s'applique si le produit a été surchargé, par exemple en plaçant un poids excessif sur le produit.
- Les dommages infligés au produit par une influence extérieure, par exemple lorsque le produit est transporté en tant que bagage.
- Les dommages indirects, par exemple les dommages infligés par des personnes et/ou d'autres objets.
- Si le produit a été équipé d'accessoires qui n'ont pas été fournis par STOKKE®, «l'extension de garantie» prend fin.
- «L'extension de garantie» ne s'applique pas aux accessoires qui ont été achetés ou fournis en même temps que le produit, ou à une date ultérieure.

### Dans le cadre de «l'extension de garantie», STOKKE® :

- remplacera ou, si STOKKE® préfère, réparera la pièce défectueuse, ou le produit dans son intégralité (si nécessaire), à condition que le produit soit amené chez un revendeur.
- couvrira les frais de transport normaux relatifs à toute pièce ou tout produit STOKKE® de rechange au profit du revendeur auprès duquel le produit a été acheté. Aucun frais de transport de la part de l'acheteur n'est couvert aux termes de la garantie.
- se réservera le droit de remplacer, au moment de l'invocation de la garantie, les pièces défectueuses par des pièces d'une conception sensiblement similaire.
- se réservera le droit de fournir un produit de rechange dans le cas où le produit ne serait plus fabriqué au moment de l'invocation de la garantie. Ledit produit de rechange devra être d'une qualité et d'une valeur équivalentes.

### Comment invoquer «l'extension de garantie» :

En général, toutes les demandes relatives à «l'extension de garantie» seront effectuées auprès du revendeur chez qui le produit a été acheté. Une telle demande devra être effectuée dès que possible après la découverte du défaut, et sera accompagnée du certificat de garantie, ainsi que de la preuve d'achat d'origine. Toute documentation/preuve confirmant le défaut de fabrication sera présentée en amenant généralement le produit chez le revendeur, ou en le présentant autrement au revendeur ou à un représentant commercial de STOKKE® en vue d'un contrôle.

Le défaut sera résolu conformément aux dispositions mentionnées ci-dessus si le revendeur ou un représentant commercial de STOKKE® détermine que les dommages ont été provoqués par un défaut de fabrication.

EN 716:2017



# GR ΣΗΜΑΝΤΙΚΟ ΦΥΛΑΞΤΕ ΓΙΑ ΜΕΛΛΟΝΤΙΚΗ ΑΝΑΦΟΡΑ! ΔΙΑΒΑΣΤΕ ΠΡΟΣΕΚΤΙΚΑ!

## Συχαρητήρια για το νέο σας κρεβάτι Stokke® Sleepi™!

Με το STOKKE® SLEEPi™ έχετε στη διάθεσή σας ένα κρεβάτι το οποίο μπορείτε να χρησιμοποιήσετε όταν το παιδί σας είναι νεογέννητο, αλλά και αργότερα, καθώς προσαρμόζεται στις ανάγκες κάθε παιδιού.

### Stokke® Sleepi™ Mini

- Όταν το παιδί μπορεί να κάθεται, να γονατίζει ή να σηκώνεται χωρίς βοήθεια, δεν μπορείτε, πλέον, να χρησιμοποιείτε την κρεβάτι Mini.
- Βεβαιωθείτε ότι η απόσταση από το στρώμα έως το πάνω μέρος του Mini δεν υπερβαίνει τα 20 cm. Δεν θα έχετε κανένα πρόβλημα αν χρησιμοποιείτε το αυθεντικό στρώμα STOKKE®.
- Μην αφήνετε άλλα παιδιά να παίζουν κοντά στο κρεβάτι Mini χωρίς την επίβλεψη ενήλικα.
- Βεβαιωθείτε ότι το κρεβάτι Mini έχει ασφαλίσει σε σταθερή θέση όταν το παιδί βρίσκεται μόνο του εκεί, χωρίς την επίβλεψη ενήλικα.

### ΚΡΕΒΑΤΙ Stokke® Sleepi™

- Το ύψος της βάσης της κούνιας μπορεί να ρυθμιστεί σε τέσσερα βασικά επίπεδα ύψους. Βεβαιωθείτε ότι η απόσταση από το στρώμα έως το πάνω μέρος της κούνιας δεν υπερβαίνει, σε καμία περίπτωση, τα 30 cm στην υψηλότερη θέση

και τα 50 cm στη χαμηλότερη θέση. Το σημείο αυτό επισημαίνεται στην άκρη της κούνιας (Σ). Δεν θα αντιμετωπίσετε κανένα πρόβλημα αν χρησιμοποιείτε το αυθεντικό στρώμα STOKKE®.

- Η χαμηλότερη θέση της βάσης της κούνιας είναι, σε κάθε περίπτωση, και η ασφαλέστερη. Μόλις το μωρό μπορεί να κάθεται ή να σηκώνεται χωρίς βοήθεια, πρέπει να κατεβάσετε τη βάση της κούνιας.
- Βεβαιωθείτε ότι, τοποθετώντας την κούνια σε οποιαδήποτε από τις θέσεις της, το παιδί δεν έχει πρόσβαση σε φάρμακα, κορδόνια, ελαστικά, μικρά παιχνίδια ή μικρά αντικείμενα, όπως χρήματα.
- Για να μην πέσει και τυπώσει το παιδί σας όταν πια θα μπορεί να ανεβοκατεβαίνει μόνο του στο κρεβάτι, πρέπει να πάψετε να χρησιμοποιείτε το Sleepi® Bed™ ως κούνια. Έχετε τη δυνατότητα να αφαιρέσετε τη μία πλευρά της κούνιας και να ρυθμίσετε τη βάση της στην κατώτερη θέση. Έτσι το παιδί σας θα μπορεί να μαινοβγαίνει εύκολα μόνο του. Αν καταλήξετε στη λύση αυτή, πρέπει οποιαδήποτε να αφαιρέσετε τις ρόδες.

### Καθαρισμός και συντήρηση

ΣΤΡΩΜΑ: Κάλυμμα στρώματος: Πλένεται στους 60°C. Τεντώστε όταν είναι βρεγμένο. Μην χρησιμοποιείτε στεγνωτήριο.

Αφρολέξ: Δυνατότητα θερμικής επεξεργασίας στους 60°C. Δυνατότητα πλύσης/

έκπλυσης με ζεστό νερό. Στην περίπτωση που το παιδί σας λερώσει το κρεβάτι του, θα πρέπει να πλύνετε το στρώμα γιατί τα ούρα αποτελούν εξαιρετικό μέσο ανάπτυξης μικρήτων.

ΞΥΛΟ: Καθαρίστε με καθαρό, υγρό πανί, χωρίς υπερβολική ποσότητα νερού. Δεν συνιστάται η χρήση απορρυπαντικού. Τα χρώματα ενδέχεται να αλλάξουν, εάν εκτεθούν στον ήλιο.

ΣΥΝΗΘΗΣ ΧΡΗΣΗ: Κάθε πρωί συνιστάται να αερίζετε το κρεβάτι.

### ΣΥΝΙΣΤΩΜΕΝΟ ΜΕΓΕΘΟΣ ΣΤΡΩΜΑΤΟΣ

Αυτή η κούνια έχει κατασκευαστεί για χρήση με στρώμα διαστάσεων 677 mm (πλάτος) x 1.210 mm (μήκος) x 80 mm (πάχος) για κρεβάτι Sleepi και στρώμα διαστάσεων 573 mm (πλάτος) x 733 mm (μήκος) x 80 mm (πάχος) για κρεβάτι Mini και έχει το σχήμα της κούνιας /μίνι κούνιας. Το πλάτος και το ύψος είναι καθορισμένα γιατί είναι σημαντικό τα κενά μεταξύ στρώματος, πλευρών και άκρων της κούνιας να μην υπερβαίνουν τα 30 mm. Κατά αυτόν τον τρόπο, ελαχιστοποιείται ο κίνδυνος να πιαστεί ένα μέρος του σώματος του παιδιού στα κενά. Το πάχος του στρώματος έχει καθοριστεί ώστε να διασφαλιστεί ότι το βάθος της κούνιας υπερβαίνει τα 500 mm, όταν η βάση της κούνιας βρίσκεται στη χαμηλότερη θέση. Κατά αυτόν τον τρόπο, ελαχιστοποιείται ο κίνδυνος το παιδί να ακαρφαλώσει ή να πέσει από την κούνια.

## ! ΣΗΜΑΝΤΙΚΟ!

Διαβάστε προσεκτικά αυτές τις οδηγίες και ακολουθείστε τις αναλυτικά ώστε να διασφαλίσετε την τήρηση των χαρακτηριστικών ασφαλείας του κρεβατιού Mini και της κούνιας. Φυλάξτε τις οδηγίες για μελλοντική χρήση. Φυλάξτε το κλειδί Allen για μελλοντική χρήση. Σφίξτε ξανά όλες τις βίδες 2-3 εβδομάδες μετά τη συναρμολόγηση.

- Κατά τη συναρμολόγηση του κρεβατιού Mini ή της κούνιας, μην σφίζετε τις βίδες έως ότου συναρμολογήσετε ολόκληρη τη μονάδα. Κατά αυτόν τον τρόπο, επιτυγχάνεται ευκολότερος τρόπος συναρμολόγησης.
- Βεβαιωθείτε ότι το κρεβάτι Mini ή η κούνια είναι τοποθετημένα σε επίπεδη και σταθερή επιφάνεια. Μετά τη συναρμολόγηση, ελέγξτε και σφίξτε όλα τα εξαρτήματα και τις βίδες. Θα πρέπει να ελέγχετε τα εξαρτήματα και τις βίδες ανά τακτά χρονικά διαστήματα και να τα σφίγγετε ξανά, εφόσον απαιτείται. Χαλαρές συνδέσεις βιδών ή τμημάτων θα μπορούσαν να οδηγήσουν σε ατύχημα, καθώς θα μπορούσαν να πιαστεί

ένα μέρος του σώματος του μωρού, ή ένα ρούχο του (π.χ. κορδόνια, κολιές, κορδέλες από κουκλάκια του μωρού, κλπ.), με αποτέλεσμα το παιδί να κινδυνεύει να πάθει ασφυξία.

- Μην τοποθετείτε, σε καμία περίπτωση, το κρεβάτι Mini ή την κούνια κοντά σε φωτιά ή πηγές έντονης θερμότητας, όπως σόμπες, συσκευές θέρμανσης με αέριο, κλπ. λόγω του κινδύνου φωτιάς.
- Μην χρησιμοποιείτε το κρεβάτι Mini ή την κούνια εάν οποιοδήποτε μέρος είναι σπασμένο, καταστραμμένο ή λείπει, ενώ πρέπει να χρησιμοποιείτε μόνο ανταλλακτικά εγκεκριμένα από την STOKKE.

### Πληροφορίες σχετικά με το νέο σας στρώμα

- Τα πεπιασμένα στρώματα επανέρχονται στο αρχικό τους σχήμα μετά από 72-96 ώρες
- Το αφρολέξ πολυουρεθάνης έχει χαρακτηριστική μυρωδιά, η οποία μπορεί να εξακολουθεί να υπάρχει λίγες μέρες μετά την τοποθέτηση του στρώματος. Η μυρωδιά θα εξαφανιστεί. Αερίστε και καθαρίστε το στρώμα για να απομακρύνετε τη μυρωδιά αυτή πιο γρήγορα.
- Το αφρολέξ αντιδρά στην υπεριώδη ακτινοβολία του ηλίου και το οξυγόνο της ατμόσφαιρας και, με το πέρασμα του χρόνου, αποκτά ένα κίτρινο χρώμα.
- Το στρώμα συμμορφώνεται προς τις απαιτήσεις του προτύπου EN 16890:2017.

## ΔΙΚΑΙΩΜΑ ΥΠΟΒΟΛΗΣ ΠΑΡΑΠΟΝΩΝ ΚΑΙ ΕΠΕΚΤΑΣΗ ΕΓΓΥΗΣΗΣ

Ισχύει για όλες τις χώρες σχετικά με το κρεβάτι / τραπέζι αλλαγής μωρού Stokke® Sleepi™, εφεξής καλούμενος ως προϊόν

### ΔΙΚΑΙΩΜΑ ΥΠΟΒΟΛΗΣ ΠΑΡΑΠΟΝΩΝ

Ο πελάτης διατηρεί το δικαίωμα να υποβάλει παράπονα σύμφωνα με την εκάστοτε ισχύουσα νομοθεσία προστασίας του καταναλωτή, η οποία ενδέχεται να διαφέρει από χώρα σε χώρα.

Σε γενικές γραμμές, η STOKKE AS δεν εκχωρεί κανένα επιπλέον δικαίωμα πέρα από αυτά που προβλέπονται από την εκάστοτε ισχύουσα νομοθεσία, αν και γίνεται αναφορά στην «Επέκταση Εγγύησης» που περιγράφεται παρακάτω. Τα δικαιώματα του πελάτη όπως αυτά απορρέουν από την εκάστοτε ισχύουσα νομοθεσία προστασίας του καταναλωτή είναι επιπρόσθετα αυτών που παρέχονται από την «Επέκταση Εγγύησης» και δεν επηρεάζονται από αυτά.

### «ΕΠΕΚΤΑΣΗ ΕΓΓΥΗΣΗΣ» STOKKE

Πάραυτα, η STOKKE AS, Parkgata 6, N-6003 Ålesund, Νορβηγία, παρέχει μια «Επέκταση Εγγύησης» στους πελάτες που εγγράφουν το προϊόν τους στη Βάση Δεδομένων Εγγύησής μας. Η εγγραφή μπορεί να γίνει μέσω της ιστοσελίδας μας στην ηλεκτρονική διεύθυνση [www.stokkewarranty.com](http://www.stokkewarranty.com). Μετά την εγγραφή, θα εκδοθεί ένα πιστοποιητικό

εγγύησης και θα σταλεί στον πελάτη σε ηλεκτρονική μορφή (ηλεκτρονικό ταχυδρομείο) ή μέσω ταχυδρομείου.

Η εγγραφή στη Βάση Δεδομένων Εγγύησής μας παρέχει στον ιδιοκτήτη το δικαίωμα «Επέκτασης Εγγύησης» ως εξής:

- 7 χρόνια εγγύηση για οποιοδήποτε κατασκευαστικό ελάττωμα του προϊόντος.

Η «Επέκταση Εγγύησης» επίσης ισχύει αν το προϊόν ελήφθη ως δώρο ή αν αγοράστηκε μεταχειρισμένο. Συνεπώς, η «Επέκταση Εγγύησης» μπορεί να χρησιμοποιηθεί από οποιονδήποτε ο οποίος είναι ο ιδιοκτήτης του προϊόντος οποιαδήποτε δεδομένη στιγμή, εντός της περιόδου εγγύησης, και υπό την προϋπόθεση προσκόμισης του πιστοποιητικού εγγύησης από τον ιδιοκτήτη.

### Η «Επέκταση Εγγύησης» STOKKE δίδεται από τις εξής προϋποθέσεις:

- Κανονική χρήση.
- Το προϊόν έχει χρησιμοποιηθεί μόνο για το σκοπό για τον οποίο προορίζεται.
- Το προϊόν δεχεται τακτική συντήρηση, όπως περιγράφεται στο εγχειρίδιο συντήρησης / οδηγιών χρήσης.
- Σε περίπτωση χρήσης της «Επέκτασης Εγγύησης», πρέπει να προσκομιστεί το

πιστοποιητικό εγγύησης μαζί με την πρωτότυπη απόδειξη αγοράς όπου αναγράφεται η ημερομηνία. Αυτό ισχύει και για τον δεύτερο ή επόμενο ιδιοκτήτη.

- Το προϊόν βρίσκεται στην αρχική του κατάσταση, δεδομένου ότι το μόνο εξάρτημα που χρησιμοποιήθηκαν έχουν προμηθευτεί από τη STOKKE και προσίζονται για χρήση στο, ή μαζί με, το προϊόν.
- Ο αύξων αριθμός του προϊόντος δεν έχει καταστραφεί ή αφαιρεθεί.

### Η «Επέκταση εγγύησης» STOKKE δεν καλύπτει:

- Προβλήματα που προκαλούνται από φυσιολογική εξέλιξη των εξαρτημάτων που αποτελούν το προϊόν (π.χ. αλλαγές στο χρώμα, καθώς και φυσιολογική φθορά).
- Προβλήματα που προκαλούνται από μικρές διαφορές στα υλικά (π.χ. διαφορές χρώματος μεταξύ των εξαρτημάτων).
- Προβλήματα που προκαλούνται φορικά με το βάρος που τοποθετείται σε αυτό.
- Φθορά που έχει υποστεί το προϊόν από εξωτερικές επιδράσεις, για παράδειγμα όταν το προϊόν μεταφέρεται ως αποσκευή.
- Αποθετικά ζήμια, για παράδειγμα ζήμια που επιφέρει σε άλλα άτομα και / ή οποιαδήποτε άλλα αντικείμενα.

- Αν το προϊόν έχει εξοπλιστεί με οποιαδήποτε αξεσουάρ που δεν είναι της εταιρείας Stokke, η «Επέκταση Εγγύησης» παύει να ισχύει.
- Η «Επέκταση Εγγύησης» δεν ισχύει για αξεσουάρ που αγοράστηκαν ή δόθηκαν μαζί με το προϊόν ή σε μεταγενέστερη ημερομηνία.

### Η STOKKE στα πλαίσια της «Επέκτασης Εγγύησης» αναλαμβάνει:

- Να αντικαταστήσει – αν αυτό προτιμά η STOKKE – να επισκευάσει το ελαττωματικό εξάρτημα, ή το προϊόν στο σύνολό του (αν είναι απαραίτητο), δεδομένου ότι το προϊόν παραδίδεται σε ένα από τα σημεία πώλησής του.
- Να καλύψει τα φυσιολογικά έξοδα μεταφοράς οποιοδήποτε εξαρτήματος / προϊόντος από τη STOKKE στο σημείο πώλησης από όπου αγοράστηκε το προϊόν. Η εγγύηση δεν καλύπτει έξοδα μεταφοράς του αγοραστή.
- Διατηρεί το δικαίωμα να αντικαταστήσει, τη στιγμή που γίνεται χρήση της εγγύησης, τα ελαττωματικά μέρη με εξαρτήματα που έχουν περίπου το ίδιο σχέδιο.
- Διατηρεί το δικαίωμα να παραδώσει ένα προϊόν αντικατάστασης σε περιπτώσεις που το σχετικό προϊόν δεν κατασκευάζεται πλέον κατά τη στιγμή που γίνεται χρήση της εγγύησης. Το εν λόγω προϊόν οφείλει να είναι αντίστοιχης ποιότητας και αξίας.

### Πώς να κάνετε χρήση της «Επέκτασης Εγγύησης»:

Σε γενικές γραμμές, όλα τα αιτήματα που αφορούν την «Επέκταση Εγγύησης» πρέπει να υποβάλλονται στο σημείο πώλησης από όπου αγοράστηκε το προϊόν. Μια τέτοια αίτηση πρέπει να υποβάλλεται το συντομότερο δυνατό μετά τον εντοπισμό του ελαττώματος και πρέπει να συνοδεύεται από το πιστοποιητικό εγγύησης και την πρωτότυπη απόδειξη αγοράς.

Τεκμήρια / αποδείξεις που επιβεβαιώνουν το κατασκευαστικό ελάττωμα πρέπει να παρουσιάζονται, κανονικά με την προσκόμιση του προϊόντος στο σημείο πώλησης, ή με οποιοδήποτε άλλο τρόπο παρουσίασης στον υπεύθυνο του σημείου πώλησης ή σε αντιπρόσωπο πωλήσεων της STOKKE για επιβεβαίωση. Το ελάττωμα θα αποκατασταθεί σύμφωνα με τα ως άνω προβλεπόμενα, αν ο υπεύθυνος του σημείου πώλησης ή ο αντιπρόσωπος πωλήσεων της STOKKE κρίνει ότι η φθορά προκλήθηκε από κατασκευαστικό ελάττωμα.



EN 716:2017

# HR VAŽNO - SAČUVAJTE ZA BUDUĆU UPORABU! POZORNO PROČITAJTE!

Čestitamo na Vašem novom Stokke® Sleepi™!

Stokke® Sleepi™ je krevet koji će rasti zajedno s Vašim djetetom od rođenja.

## Stokke® Sleepi™ Mini

- Prestanite koristiti kada se dijete može uspraviti, klečati ili ustati.
- Udaljenost od madraca do vrha kolijevke nikada ne smije biti manja od 20 cm. Preporučujemo da koristite originalni madrac tvrtke STOKKE®.
- Ne dopustite da se druga djeca igraju bez nadzora oko kolijevke.
- Kolijevka mora biti zakočena kada dijete leži bez nadzora u njoj.

## Stokke® Sleepi™ Bed

- Visina podnice može se namjestiti na jedan od četiri položaja. Udaljenost od madraca do vrha kreveta nikada ne smije biti manja od 30 cm u najvišem položaju, odnosno 50 cm u najnižem položaju. Oznaka visine nalazi se na kraju kreveta (A). Preporučujemo da koristite originalni madrac tvrtke STOKKE®.
- Najsigurniji je najniži položaj podnice. Kada dijete može sjesti ili ustati, potrebno je spustiti podnicu.

- Lijekove, konope, gumene vrpce, male igračke i predmete poput novca držite dalje od kreveta.
- Kada se dijete bude moglo samostalno popeti u krevetić i izaći iz njega, Sleepi® Bed™ prestat ćete upotrebljavati kao dječji krevetić kako biste spriječili ozljede padovima. Razmislite o uklonjanju jedne strane dječjeg krevetića i postavljanju dna krevetića na najnižu razinu. Tako će se dijete moći samostalno popeti u krevetić i izaći iz njega na siguran način. Ako to učinite, obavezno skinite kotačiće.

## Čišćenje i održavanje

**MADRAC:** Pokrov madraca: Može se prati na 60 °C. Razvucite dok je mokar. Ne koristite sušilicu.

**PJENA:** Može se termički obraditi na 60 °C i prati/ ispirati u vrućoj vodi. U slučaju mokrenja madrac uvijek treba oprati. Mokraća je izvrstan medij za stvaranje gljivica. **DRVENI DIJELOVI:** Obrišite vlažnom krpom i temeljito osušite. Ne preporučujemo da koristite deterdžente. Kod izlaganja suncu boje mogu izbljediti.

**Uobičajena uporaba:** Svako jutro izvadite plahu i prozračite plahu i krevet tako da se ohladi i osuše.

## Preporučena veličina madraca

Krevet je proizveden za madrac širine 677 mm, duljine 1210 mm i debljine 80 mm za Sleepi te za madrac širine 573 mm, duljine 733 mm i debljine 80 mm za kolijevku i oblikovan je kao krevet/krevetić. Širina i duljina su navedeni jer je važno da procjepi između madraca te stranica i krajeva kreveta ne budu veći od 30 mm. Tako se smanjuje opasnost da djetetov ud zapne u procjep. Debljina madraca je navedena kako bi se osiguralo da je dubina kreveta veća od 500 mm kada je podnica madraca u donjem položaju, kako bi se smanjila opasnost da se dijete popne ili padne iz kreveta.

## Informacije o Vašem novom madracu

- Pritisnuti madraci obnovit će svoj prvobitni oblik nakon 72-96 sata
- Poliuretanska pjena ima specifičan miris koji može postojati nekoliko dana nakon raspakiranja. Miris će nestati. Prozračivanje i usisavanje madraca pomoći će u uklonjanju mirisa.
- Pjena reagira na ultraljubičasto sunčevo zračenje i kisik iz zraka, te će vremenom požutjeti.
- Madrac ispunjava zahtjeve norme EN 16890:2017.



## VAŽNO!

Pozorno pročitajte ove upute. Pridržavanjem uputa osigurat ćete maksimalnu sigurnost kolijevke i kreveta. Sačuvajte upute za buduću uporabu. Sačuvajte imbus-ključ za buduću uporabu. Dodatno zategnite sve vijke 2 do 3 tjedna nakon sastavljanja.

- **Kod sastavljanja kolijevke ili kreveta, vijke ne zatežite dok ne sastavite cijeli krevet. To će omogućiti najlakšu montažu.**
- **Krevet ili kolijevku postavite na ravnu i čvrstu podlogu. Nakon sastavljanja provjerite i zategnite sve priključke i vijke. Redovito provjeravajte jesu li priključci i vijci zategnuti, prema potrebi ih dodatno zategnite. Otpušteni vijci ili dijelovi mogu zakvačiti dijelove tijela ili odjeće djeteta (npr. uzice, ogrlice, vrpce na dječjim lutkama i sl.), što može izazvati gušenje.**

- **Zbog opasnosti od požara, kolijevku ili krevet ne stavljajte pored otvorenog plamena i drugih izvora topline, kao što su električni štednjaci, plinski štednjaci i sl.**
- **Kolijevku ili krevet ne koristite ako je bilo koji bio oštećen, otrgnut ili nedostaje, a koristite samo rezervne dijelove koje je odobrio STOKKE®.**
- **Ne koristite pribor i dodatnu opremu koju ne proizvodi tvrtka STOKKE™, jer to može smanjiti sigurnost Vašeg djeteta.**

- **Ne ostavljajte ništa na krevetu i ne stavljajte krevet pored drugih proizvoda, jer može poslužiti kao stepenica ili predstavljati opasnost od gušenja ili davljenja, npr. konop, uzice od zavjesa/roleta i sl.**
- **Na krevet stavite samo jedan madrac.**

## Reklamacija i produljeno jamstvo

Vrijedi širom svijeta za krevetiće Stokke® Sleepi™, dalje u tekstu proizvod.

### REKLAMACIJA

Kupac kupnjom proizvoda strječe pravo na reklamaciju suglasno važećem zakonu o zaštiti potrošača, koji u svakoj zemlji može propisivati drugačije uvjete. STOKKE AS pak ne daje nikakva dodatna garantna prava niti jamstva osim zakonom zajamčenih, čak i kada se to odnosi na dolje navedeno "produljeno jamstvo". Pravo kupca se zasnima na važećem zakonu o zaštiti potrošača primjenjivom tj. na dodatna prava na osnovi produljenog jamstva, na koje to jamstvo ne utječe.

### PRODULJENO JAMSTVO TVRTKE STOKKE®

Tvrtka STOKKE AS, Parkgata 6, N-6003 Ålesund, Norveška, nudi produljeno jamstvo kupcima koji svoj proizvod registriraju u našoj jamstvenoj bazi podataka. To se može učiniti preko naše internetske stranice [www.stokkewarranty.com](http://www.stokkewarranty.com). Nakon registracije jamstveni će list biti izdan i poslan kupcu elektronskom (e-mail) ili redovnom poštom.

Upisom u jamstvenu banku podataka kupac stječe pravo na :

- produljeno jamstvo u trajanju od 7 godina za slučaj bilo kakvog kvara proizvoda uslijed neke tvorničke greške.

Produljeno jamstvo vrijedi i ukoliko je proizvod dobijen na dar ili je kupljen kao rabljen. Stoga isto vrijedi odmah nakon kupnje za svakog vlasnika proizvoda za period trajanja jamstva, pod uvjetom da vlasnik proizvoda priloži jamstvenu potvrdu.

### STOKKE® produljeno jamstvo vrijedi pod sljedećim uvjetima:

- U slučaju problema tijekom normalne uporabe.
- Ukoliko je proizvod rabljen samo u one vrste za koje je namijenjen.
- Ako se proizvod održava prema opisu u uputama za uporabu/održavanje.
- Ako se pozivanjem na produljeno jamstvo, prilaže jamstvena potvrda, te originalni račun kupnje s datumom i pečatom. Isto se odnosi i na drugog, te svakog sljedećeg vlasnika.
- Ako je proizvod u svom prvobitnom stanju pod uvjetom da su korišteni samo originalni dodatni dijelovi tvrtke STOKKE®. U slučaju odstupanja od navedenog za priznavanje jamstvenog prava predhodno je potrebna suglasnost tvrtke STOKKE®.
- Ukoliko serijski broj proizvoda nije uništen niti uklonjen.

### Produljeno jamstvo tvrtke STOKKE® ne vrijedi u sljedećim slučajevima:

- Kod pojava uzrokovanih normalnim rabljenjem (habanjem) dijelova od kojih je produkt sačinjen (na primjer: kod promjene boje, normalnog habanja ili trošenja dijelova).
- Kod neznatnog odstupanja u kvaliteti materijala (na primjer: kod razlike u boji dijelova).

- Kod problema uzrokovanih utjecajem vanjskih čimbenika poput sunca, svjetlosti, visoke temperature, vlage, zagađenosti, itd.
- Kod šteta uzrokovanih slučajno ili nezgodom – na primjer udaranje nekog predmeta u proizvod ili ako je netko prevrnuo proizvod sudarajući se s njim. Isto se odnosi i na preopterećenje proizvoda, na primjer u slučaju polaganja nekog tereta na proizvod.
- U slučaju štete, nanesene proizvodu vanjskim utjecajem, na primjer prilikom transporta.
- U slučaju štete koju je nanijela neka osoba ili koja je nastale uslijed djelovanja stranih predmeta.
- U slučaju da su na proizvod stavljeni dodaci koji nisu od strane tvrtke STOKKE®.
- Produljeno jamstvo također ne vrijedi za druge dodatke kupljene uz proizvod ili koji dolaze uz proizvod na dan kupnje ili poslije tog datuma.

### Usluge koje čini tvrtka STOKKE® u saglasnosti s produljenim jamstvom:

- Zamjena – ili u slučaju da STOKKE® tako odluči – popravak dijelova koji su u kvaru, ili pak zamjena proizvoda u cijelosti (bude li to potrebno), pod uvjetom da se proizvod dostavi prodavaču.
- Pokriće uobičajenih troškova transporta dijela koji se mijenja odnosno cjelokupnog proizvoda od strane tvrtke STOKKE® do prodavača od kojeg je proizvod kupljen. Jamstvo ne obuhvaća putne troškove kupca.
- Tvrtka zadržava pravo zamjena dijelova u kvaru dijelovima istog ili sličnog dizajna.
- Tvrtka također zadržava pravo dobavljanja zamjenskog dijela ako se dotični proizvod

više ne proizvodi. U tom slučaju će proizvodi u svakom slučaju zadržati prvobitnu kvalitetu i vrijednosti.

### Kako se pozvati na produljeno jamstvo:

Sve zahtjeve vezani za produljeno jamstvo treba uputiti prodavaču od kojeg je proizvod kupljen. Zahtjev treba podnijeti što je prije moguće nakon otkrivanja kvara, te obvezno priložiti jamstvenu potvrdu i originalni račun.

Obvezno podnijeti dokumentaciju odnosno dokaze o tvorničkom kvaru, što se obično čini donošenjem proizvoda do prodavača, ili davanjem proizvoda na uvid prodavaču ili predstavniku prodaje tvrtke STOKKE®.

Kvar će biti uklonjen u skladu s gore navedenim odredbama ako prodavač ili predstavnik prodaje proizvode tvrtke STOKKE® ustanove da se radi o kvaru uslijed tvorničke greške.



# HU FONTOS – ŐRIZZE MEG, A KÉSŐBBIEKBEN SZÜKSÉGE LESZ RÁ! OLVASSA EL FIGYELMESEN!

## Gratulálunk az új Stokke® Sleepi™ hez!

A Stokke® Sleepi™ olyan ágy, amelyet gyermeke születésétől kezdve használhat és amely együtt nő vele.

### Stokke® Sleepi™ Mini

- Amikor a gyermek már képes ülni, mászni vagy felállni, ne használja. Ügyeljen arra, hogy a matrac felett legalább 20 cm magas legyen a rácszat.
- Javasoljuk, hogy csak az eredeti STOKKE® matracal használja a bölcsőt.
- Ne engedjen más gyermekeket a bölcső közelében felügyelet nélkül játszani.
- Ügyeljen arra, hogy a bölcsőt megfelelően rögzítse, amikor gyermekét felügyelet nélkül hagyja benne.

### Stokke® Sleepi™ Bed

- Az ágy lapja négy különböző magasságba állítható. Ügyeljen arra, hogy a rácszat legalább 30, legfeljebb 50 cm magas legyen. A legmagasabb és legalacsonyabb beállítás helye az ágy végén van feltüntetve (Σ). Javasoljuk, hogy a kiságyat csak az eredeti STOKKE® matracal használja.

- A legalacsonyabb beállítást a legbiztonságosabb. Ahogy a gyermek képes felülni vagy felállni, a kiságy alját le kell engedni.
- Ügyeljen arra, hogy ne hagyjon a gyermek számára a kiságyból elérhető helyen gyógyszereket, zsinórokat, gumikat, kisebb játékokat vagy más tárgyakat, például aprópénzt.
- Ha gyermeke már önállóan be és ki tud mászni az ágyból, a leesés következtében fellépő sérülések megelőzése érdekében ne használja a Sleepi™ Bed™ terméket kiságyként. Fontolóra veheti, hogy eltávolítja a kiságy egyik oldalát, és a legalacsonyabb helyzetbe állíthatja a kiságyat. Így módon gyermeke önállóan is biztonságosan be- és kimászhat a kiságyból. Ilyen esetben mindenképpen távolítsa el a kerekeket.

### Tisztítás és karbantartás:

MATRAC: matracvédő: 60 °C-on mosható. Még nedvesen simítsa ki. Ne használjon gépi szárítót.

HABSZIVACS: 60 °C-on hőkezelhető és mosható, forrásban lévő vízben öblíthető. Amennyiben a gyermek bepisil, a matracot minden esetben ki kell mosni, nehogy gombák telepedjenek meg rajta.

FA: törölje át egy tisztító, nedves ruhával, majd törölje szárazra. Tisztítószer alkalmazása nem javasolt. Napfény hatására a színek megfakulhatnak. Rendeltetészerű használat: minden reggel szellőztesse ki az ágyat: távolítsa el a paplant, hagyja „kihűlni” és megszáradni.

### A matrac ajánlott mérete=

A kiságyat 677 mm széles 1210 mm hosszú és 80 mm vastag matracra készítették a Sleepi esetében, és 573 mm széles, 733 mm hosszú és 80 mm vastag a Mini esetében, formája pedig a kiságy formájával megegyező. A szélesség és hossz adott, mivel fontos, hogy a matrac és az ágy széle közötti rés ne haladja meg a 30 mm-t. Ez csökkenti annak a kockázatát, hogy a gyermek végtagjai beszoruljanak. A matrac vastagságát úgy határozták meg, hogy az ágy mélysége nagyobb legyen 500 mm-nél, amikor az ágy alapja az alsó pozícióban van, ezáltal minimálisra csökken annak veszélye, hogy a gyermek kimászik vagy kiesik.

### Információk az új matracáról

- Az összegyöntölt matracok 72–96 órán belül veszik fel eredeti formájukat.
- A poliuretánhabnak jellegzetes szaga van, amely a kicsomagolás után pár napig

érezhető. A szag el fog tűnni. A szellőztetés és a matrac porszívózása segít a szag eltüntetésében.

- A hab reagál a nap ultraibolya sugárzására, illetve a levegőben lévő oxigénre, és idővel sárga színűvé válik.
- A matrac megfelel az EN 16890:2017 szabványnak.

## ! FONTOS!

Olvassa el figyelmesen és kövesse pontosan az alábbi utasításokat, ügyelve arra, hogy betartsa a biztonsági előírásokat. Őrizze meg az útmutatót későbbi használatra. Az imbuszkulcsot őrizze meg, mert később szüksége lehet rá. A csavarokat 2-3 hetente húzza meg.

- **Ügyeljen arra, hogy a kiságyat/bölcsőt sima, egyenes felületen használja. Az összeszerelést követően ellenőrizze, hogy a csavarok és rögzítések kellően szorosak-e. A csavarokat és rögzítéseket rendszeresen ellenőrizze, és szükség esetén húzza őket szorosabbra. A csavarok kilazulása nyomán keletkezett résekbe becsípdíhetnek a gyermek testrészei vagy ruházata (pl. zsinórok, nyakláncok, játékbabák szalagjai stb.), ami fulladáshoz vezethet.**

- **Soha ne helyezze a kiságyat, illetve a bölcsőt nyílt láng vagy más hőforrás, például hősugárgó, gázkonvektor stb. közelébe, mert tűz keletkezhet.**
- **Ne használja a kiságyat és a bölcsőt hiányos vagy sérült elemekkel, és csak a STOKKE® által gyártott pótalkatrészekkel használja.**
- **Ne használjon olyan külön kiegészítő felszerelést vagy**

alkatrészeket, amelyeket nem a Stokke® gyártott; ez veszélyeztetheti a gyermek biztonságát.

- **Ne hagyjon semmit a bölcsőben és ne helyezze olyan tárgyat, pl. fonalak, függőnymelegítőket stb. közelébe, amelyen a gyermek megcsúszhat, vagy amely fulladást okozhat.**
- **Ne tegyen a kiságyba egynél több matracot.**

## Reklamációs jog és kiterjesztett jótállás

Világosra alkalmazandó az ágyak/babaöltöztetők, a STOKKE® SLEEPY™, sportbabakocsi – a továbbiakban: termék – esetében.

### REKLAMÁCIÓS JOG

A vásárlónak jogában áll panaszt tenni a mindenkor érvényes fogyasztóvédelmi törvények értelmében, amelyek országunként eltérhetnek.

Általánosságban a STOKKE AS nem biztosít több jogot, mint a mindenkor érvényes jogszabályok, bár utalnak a lent feltüntetett „Kiterjesztett jótállásra”. A mindenkor érvényes fogyasztóvédelmi törvények által biztosított vásárlói jogokat, amelyek kiegészítik a „Kiterjesztett jótállás” címszó alatt szereplő jogokat, nem befolyásolja a „Kiterjesztett jótállás”.

### STOKKE „KITERJESZTETT JÓTÁLLÁS”

A STOKKE AS, Parkgata 6, N-6003 Ålesund, Norvégia, azonban „bővített garanciát” biztosít azoknak a vevőknek, akik regisztrálják az általuk vásárolt terméket garancia-adatbázisunkban. Ezt megteheti webpontonk is, a következő címen: [www.stokkewarranty.com](http://www.stokkewarranty.com) A regisztrálást követően kiállítunk egy jótállási igazolást és elektronikus (e-mailben) vagy szokványos postai úton megküldjük azt a vevő részére.

A Garancia-adatbázisba történő regisztráció a tulajdonosokat az alábbi „Kiterjesztett jótállásra” jogosítja fel.”

- 7 éves jótállás a termékben lévő bármely gyártási hibára.

A „Kiterjesztett jótállás” akkor is érvényes, ha a terméket ajándékba kapták vagy használt állapotban vásárolták meg. Következésképpen a „Kiterjesztett jótállással” a jótállási időn belül bárki élhet, aki az adott időpontban a termék tulajdonosa, feltéve, hogy a tulajdonos bemutatja a jótállási igazolást.

### A STOKKE „Kiterjesztett jótállás” feltételei az alábbiak:

- Rendeltetészerű használat.
- A termék csak rendeltetészerű célokra használható.
- A termék általános karbantartása a karbantartási/használati kézikönyv szerint.
- Amennyiben élni kívánnak a „Kiterjesztett jótállással”, be kell mutatni a jótállási igazolást az eredeti dátumbélyegzővel lepecsételt vásárlási blokkal együtt. Ez minden további tulajdonosra is érvényes.
- A termék eredeti állapotában van, a továbbiakban a szükséges alkatrészeket kizárólag a STOKKE cégtől szeretik be, és azokat rendeltetészerűen használják a termékkel együtt. Az ettől való bármely eltérés kizárólag a STOKKE előzetes írásos engedélyével lehetséges.
- A termék sorozatszámra nem sérült vagy nem lett eltávolítva.

### A STOKKE „Kiterjesztett jótállás” nem terjed ki az alábbiakra:

- A termék alkatrészeinek szokásos változása (pl. színváltozás, elhasználódás).
- Az anyagokban bekövetkező kisebb változások (pl. az egyes alkatrészek színei közötti különbség).

- Külső tényezők, mint a napsütés/fény, a hőmérséklet, a páratartalom, a környezetszennyezés stb. által okozott szélsőséges hatások
- Balesetek miatt bekövetkező változások – például a termék más tárgyaknak ütközik; vagy ha valaki felfordítja, és közben az valaminek nekiütözik. Ugyanez érvényes abban esetben, ha a ráhelyezett súly miatt a terméket túlterhelik, vagy nagyon durva felületen közelednek vele.
- Külső hatás miatt kár keletkezik a termékben, például ha poggyászként szállítják.
- Olyan kár, mely például személy vagy más tárgyak sérülésének következtében alakul ki.
- Amennyiben a terméket nem a STOKKE cég által gyártott kellekkel szerelték fel, a „Kiterjesztett jótállás” érvényét veszti.
- A „Kiterjesztett jótállás” nem vonatkozik azokra a kellekre, amelyek a termékkel együtt vásároltak vagy kaptak meg, vagy azt követően szereztek be.

### A STOKKE „Kiterjesztett jótállás” keretében az alábbiakat vállalja:

- Kicsereli vagy – amennyiben úgy dönt – megjavítja a hibás alkatrészeket vagy a teljes terméket (amennyiben szükséges), feltéve, hogy a terméket visszaszállították a viszonteladóhoz.
- Bármely pótalkatrész/helyettesítő termék esetében állja a STOKKE cégtől az ahhoz a viszonteladóhoz történő szállítás szokásos költségét, amelynél a terméket megvették. – A jótállás értelmében nem állja a vásárló utazási költségét.

- Amennyiben élnek a jótállással, jogot, hogy a hibás alkatrészeket nagyjából hasonló kivitelezésű alkatrészekre cserélje.
- Amennyiben élnek a jótállással, és abban az időpontban az adott terméket már nem gyártják, fenntartja a jogot a cseretermékekkel történő helyettesítésre. A cseretermék és az eredeti termék minősége és értéke megegyező.

### Hogyan élhet a „Kiterjesztett jótállással”?

Általánosságban a „Kiterjesztett jótállásra” vonatkozó összes kérelmet annál a viszonteladónál kell intézni, ahol a terméket vásárolták. A kérelmet a hiba észlelése után a lehető leghamarabb be kell nyújtani, valamint mellékelni kell a jótállási igazolást és az eredeti vásárlási blokkot is.

Be kell mutatni a gyártási hibát bizonyító igazolást/bizonyítékot, általában úgy, hogy a terméket visszaszállítják vagy más módon ellenőrzésre átadják a viszonteladónak vagy a STOKKE kereskedelmi képviselőjének.

A fenti rendelkezések értelmében a hibát kijavítják, amennyiben a viszonteladó vagy a STOKKE kereskedelmi képviselője megállapítja, hogy a meghibásodást gyártási hiba okozta.



EN 716:2017

# IT IMPORTANTE – DA CONSERVARE: POTREBBE SERVIRVI ANCORA! LEGGERE ATTENTAMENTE!

## Congratulazioni per l'acquisto del vostro nuovo Stokke® Sleepi™!

Ora disponete di un letto che potrà essere utilizzato dalla nascita di vostro figlio in poi, perché Stokke® Sleepi™ cresce con lui.

### Stokke® Sleepi™ culla

- Quando il bimbo è in grado di mettersi seduto, in ginocchio oppure di alzarsi, non utilizzare più la Sleepi Mini.
- Controllare che la distanza tra il materasso e il bordo di Mini non sia inferiore a 20 cm. Questo problema non si pone qualora si utilizzi il materasso originale STOKKE®.
- Non lasciare giocare altri bambini in prossimità di Mini senza la sorveglianza di un adulto.
- Nel caso in cui non sia presente un adulto mentre il bambino è nel lettino, si consiglia di bloccare quest'ultimo (inserendo i freni).

### Stokke® Sleepi™ letto

- La base del letto può essere regolata in altezza (quattro opzioni diverse). Quando è nella posizione più alta, controllare che la distanza tra materasso e bordo del letto non sia inferiore ai 30 cm, quando invece è nella posizione più bassa la

distanza non deve essere inferiore ai 50 cm. Le posizioni sono contrassegnate con delle tacche alle estremità (Σ). Questo problema non si pone se si utilizza il materasso originale STOKKE®.

- La posizione più bassa è sempre la più sicura. Non appena il bambino riesce a stare seduto o ad alzarsi, la base del letto deve essere abbassata.
- Qualunque sia la posizione del bambino nel lettino, tenere al di fuori della sua portata medicinali, lacci, giocattoli o altri oggetti di piccole dimensioni come le monete.
- Onde evitare il rischio di cadute, non utilizzare più Sleepi® Bed™ come culla quando il bambino è in grado di salire e scendere dal letto da solo. È possibile rimuovere un lato del lettino e regolare la base nella posizione più bassa, in modo che il bambino possa salire e scendere da solo in condizioni di sicurezza. Se si sceglie questa soluzione, è importante rimuovere le ruote.

### Pulizia e manutenzione

MATERASSO: Salvamaterasso: può essere lavato a 60 gradi. Va steso mentre è umido. Non usare l'asciugatrice.

Gommapiuma: può essere trattata a temperature fino a 60° e lavata/risciacquata

in acqua bollente. Nel caso in cui il bambino abbia fatto la pipì a letto, il materasso va sempre lavato perché l'urina favorisce la formazione di muffe.

STRUTTURA IN LEGNO: può essere lavata con un panno inumidito e ben strizzato. Si consiglia di non utilizzare detergenti. Se esposta al sole, la struttura può scolorire. USO QUOTIDIANO: ogni mattina togliere il piumone, fargli prendere aria (così come al letto), lasciare poi che torni alla temperatura normale.

### Dimensioni consigliate del materasso

Questo articolo è stato prodotto per essere utilizzato - nel caso di Sleepi - con un materasso largo 67,7 cm, lungo 121 cm, alto 8 cm - e nel caso di Mini - con un materasso largo 57,3 cm, lungo 73,3 cm, alto 8 cm, e con la stessa sagoma del lettino/del minilettino. La larghezza e lo spessore sono specificati perché la distanza tra materasso e le estremità non deve superare i 3 cm; in tal modo c'è minor rischio che il bambino rimanga impigliato mentre sale o scende. Lo spessore è stato invece specificato perché deve essere superiore ai 5 cm quando il materasso è nella posizione più bassa, così da evitare che il bambino cada dal lettino o vi si arrampichi.

### Informazioni riguardo al vostro nuovo materasso

- I materassi compressi riacquistano la forma originaria dopo 3-4 giorni.
- Il poliuretano espanso ha un odore particolare che sparisce alcuni giorni dopo aver tolto il materasso dall'imballo. L'odore sarà meno persistente se il materasso rimarrà per un po' di tempo all'aria aperta e se verrà passato l'aspirapolvere.
- Il poliuretano reagisce ai raggi ultravioletti del sole e all'ossigeno contenuto nell'aria, per cui tenderà a ingiallire con il passare del tempo.
- Il materasso è conforme alle norme per la sicurezza EN 16890:2017..

## ! IMPORTANTE!

Leggere e seguire attentamente le istruzioni, in modo da non pregiudicare la sicurezza di culla e del lettino. Conservare le istruzioni e la chiave esagonale, potrebbero servirvi ancora. Due-tre settimane dopo aver montato il prodotto, serrare nuovamente bene tutte le viti.

- **Durante il montaggio di culla o del lettino consigliamo di non serrare le viti prima di aver finito di montare l'intera struttura. In questo modo la procedura risulterà più semplice.**
- **Verificare che culla o il lettino si trovino su una superficie orizzontale e stabile. Dopo l'assemblaggio, serrare dispositivi e viti, che vanno controllati periodicamente e, se necessario, serrati di nuovo. Viti o parti allentate rappresentano un pericolo per il bambino, che potrebbe finire impigliato. Fare inoltre attenzione**

- all'abbigliamento (ad. es. lacci, collanine, catenelle del ciuccio ecc...); il bambino potrebbe strangolarsi.**
- **Non posizionare mai culla o il lettino vicino a una fiamma aperta o a fonti intense di calore quali stufette elettriche o a gas perché potrebbe svilupparsi un incendio**
- **Non utilizzare culla o il lettino se vi sono parti rotte, strappate o mancanti, e impiegare unicamente le parti di ricambio approvate da STOKKE.**

- **Non utilizzate accessori o parti di ricambio non prodotte da Stokke® perché ciò potrebbe compromettere la sicurezza di vostro figlio.**
- **Non lasciare alcunché nella culla, tantomeno lacci, cordoni delle tende ecc.. con i quali il bambino potrebbe soffocare o strangolarsi, né collocarla vicino a un altro prodotto sul quale il bambino potrebbe salire, cadere e farsi male.**
- **Non utilizzare più di un materasso nel lettino**

## Diritto di reclamo e Garanzia Estesa

Applicabile in tutto il mondo ai lettini Stokke® Sleepi™, in seguito indicato come il prodotto.

### DIRITTO DI RECLAMO

Il cliente ha il diritto di presentare reclamo in qualsiasi momento in conformità con la legislazione applicabile per la tutela del consumatore, che varia da Paese a Paese. In termini generali, STOKKE AS non garantisce alcun diritto in aggiunta o superiore a quelli previsti dalla legislazione applicabile in un dato momento, anche nel caso in cui si faccia riferimento alla "Garanzia Estesa" illustrata di seguito. I diritti che spettano al cliente in base alla legislazione applicabile per la tutela dei consumatori sono da considerarsi aggiuntivi rispetto a quelli previsti dalla "Garanzia Estesa" e pertanto non ne sono condizionati.

### "GARANZIA ESTESA" STOKKE®

Fatto salvo quanto detto sopra, STOKKE AS, Parkgata 6, N-6003 Ålesund, Norvegia garantisce una "Garanzia Estesa" ai clienti che registrano il prodotto acquistato nel database delle garanzie. Per far questo è possibile collegarsi all'indirizzo [www.stokkewarranty.com](http://www.stokkewarranty.com). In seguito alla registrazione, viene rilasciato un certificato di garanzia che può essere trasmesso al cliente in formato elettronico (e-mail) o per posta ordinaria.

Registrandosi nel database delle garanzie, il titolare del prodotto ha diritto a una "Garanzia Estesa" con le seguenti caratteristiche:

- Garanzia di 7 anni contro ogni difetto di produzione del prodotto.

La "Garanzia Estesa" è valida anche nel caso in cui il titolare del prodotto lo avesse ricevuto come regalo oppure l'avesse acquistato in seconda mano. Pertanto l'applicazione della "Garanzia Estesa" potrà essere richiesta da chiunque sia il proprietario del prodotto in un dato momento, entro il periodo di garanzia valido, e previa presentazione del certificato di garanzia.

### La "Garanzia Estesa" STOKKE® è soggetta alle seguenti condizioni:

- Utilizzo normale del prodotto.
- Utilizzo del prodotto per le finalità per il quale il prodotto è stato ideato.
- Il prodotto è stato sottoposto a regolari interventi di manutenzione ordinaria così come indicato nel manuale di istruzioni/manutenzione.
- In seguito alla richiesta di applicazione della "Garanzia Estesa", sarà presentato il certificato di garanzia insieme alla ricevuta d'acquisto originale con l'opportuna indicazione della data. Questa condizione continuerà a essere valida anche per qualsiasi titolare successivo o secondario.
- Il prodotto deve risultare conforme al suo stato originale; con ciò si dovrà intendere l'utilizzo con il prodotto esclusivamente delle parti fornite da STOKKE®, ideate per

l'utilizzo su o in combinazione con il prodotto. Qualsiasi devianza rispetto a tale condizione deve essere previamente autorizzata in forma scritta da STOKKE®.

- Il numero di serie del prodotto non deve essere stato eliminato o distrutto.

### La "Garanzia Estesa" STOKKE® non si applica a:

- Problemi dovuti alla normale evoluzione delle componenti del prodotto (es. variazione del colore, usura, lacerazioni).
- Problemi dovuti a cambiamenti secondari dei materiali (es. differenze di colorazione tra i componenti).
- Problemi dovuti preminentemente a fattori esterni come luce o sole, temperatura, umidità, inquinamento ambientale, ecc.
- Danni risultanti da infortuni o incidenti, come ad esempio se il prodotto dovesse essere urtato da un altro oggetto o se una persona dovesse capovolgere il prodotto in seguito all'urto con il medesimo oggetto. Tale condizione vale anche se il prodotto viene sollecitato in misura eccessiva, ad esempio in termini di peso.
- Danni causati al prodotto da fattori esterni, ad esempio nel caso in cui il prodotto dovesse essere spedito come bagaglio.
- Danni consequenziali, ad esempio danni causati da terzi o da altri oggetti.
- La "Garanzia Estesa" decade nel caso in cui il prodotto dovesse essere dotato di qualsiasi accessorio che non sia stato fornito da STOKKE®.
- La "Garanzia Estesa" non sarà applicabile a eventuali accessori che dovessero essere acquistati o forniti insieme al prodotto o successivamente all'acquisto.

### Ai sensi della "Garanzia Estesa" STOKKE® si impegna a:

- Sostituire o le parti difettose o, a discrezione di STOKKE®, l'intero prodotto, se necessario, dopo che il prodotto è stato inviato a un rivenditore.
- Coprire le spese di trasporto ordinarie per ogni prodotto/pezzo di ricambio inviato da STOKKE® al rivenditore presso cui il prodotto è stato acquistato. In base ai termini della garanzia non saranno coperte eventuali spese di viaggio da parte dell'acquirente.
- Nel momento in cui viene richiesta l'applicazione della garanzia, concedere il diritto di sostituire parti difettose con parti aventi all'incirca lo stesso design.
- Nel momento in cui viene richiesta l'applicazione della garanzia, concedere il diritto a fornire un prodotto sostitutivo nei casi in cui il prodotto in questione non sia più in produzione. Tale prodotto dovrà essere di qualità e valore analoghi.

### Come richiedere l'applicazione della "Garanzia Estesa":

In linea generale tutte le richieste di "Garanzia Estesa" devono essere inoltrate al rivenditore da cui è stato acquistato il prodotto. La richiesta dovrà essere presentata non appena venga notato un eventuale difetto e dovrà essere corredata dal certificato di garanzia, nonché dalla ricevuta d'acquisto originale. Occorre fornire opportune prove/documentazioni che confermino la presenza di difetti di produzione, in genere portando il prodotto dal rivenditore o facendolo ispezionare altrimenti dal rivenditore o da un agente di vendita STOKKE®.

Qualora il rivenditore o un agente di vendita STOKKE® dovesse stabilire che il danno è dovuto a un difetto di produzione, il difetto verrà riparato in base alle clausole di cui sopra.

# JP 重要 後で読み返せるように保管しておいて下さい。よくお読み下さい。

ストッケ®スリーピ™をお買い上げ下さいましてありがとうございます。  
ストッケ®スリーピ™は、新生児の時から使え、お子様とともに成長するベッドで。

## スリーピ・ミニ

- お子様が座ったり、しゃがんだり、立ち上がったりできるようになったら、ミニをご使用になるのはおやめ下さい。
- マットレスからミニの最上部までの距離が20 cm以下にならないように注意して下さい。ストッケのオリジナル・マットレスをご使用なら、大丈夫です。
- 大人が立ち会うことなく他の子ども達をミニの近くであそばせないようにして下さい。
- お子様をひとりりで寝かせておく時には、必ずミニを安定した位置でロックするようにして下さい。

## スリーピ・ベッド

- ベッドの底板の高さは、四段階の基本の高さに調節できます。マットレスからベッドの最上部までの距離が、底板を最高位にした時は30 cm以下に、最低位にした時は50 cm以下にならないように注意してください。ベッドの足元の端にマットレスの上限の目印が付いています (X)

- ストッケのオリジナルマットレスをご使用なら大丈夫です。
- ベッドの底板は、最低位に設置するのが最も安全です。お子様が座ったり、立ち上がったりできるようになったら、すぐにベッドの底板の位置を下げて下さい。
- 薬、紐、ゴムひも、小さなおもちゃ、硬貨といった小さい物などを、ベッドの中から手の届くところに置かないようにして下さい。

## 洗濯とお手入れ

マットレス：マットレスカバー：60°Cで洗濯して下さい。  
脱水の後しわをのぼして干してください。乾燥機の使用はお避け下さい。  
フォーム：60°Cのお湯での洗濯し、すすいで下さい。おねじよをした後は、カビが生えるのをふせぐために、必ずマットレスを洗濯してください。  
木製部分：ぬれた布で拭いた後、余分な水分を拭き取ってください。洗剤は使用しないで下さい。日光にさらすと変色することがあります。  
通常のお手入れ：毎朝必ず布団をあげ、ベッドと布団の温度を下げ、乾燥させてください。

## 適切なマットレスの大きさ

この赤ちゃん用ベッドは、スリーピ用としては幅 677 mm、長さ1210 mm

、厚さ80 mmのマットレスを、ミニ用としては幅573 mm、長さ 733 mm、厚さ80 mmのマットレスを使用するように、赤ちゃん用ベッド/ミニ赤ちゃん用ベッドの形に作られています。幅と長さを指定するのは、お子様がマットレスとベッドの縁と間の隙間に挟まる危険性を最小限にとどめるため、その隙間が30mmを超えないことが重要だからです。厚さを指定するのは、お子様がベッドに登ったり落ちたりする危険性を最小限にとどめるため、低位置に置いたマットレスの底部からのベッドの深さが必ず500 mm以上になるようにするためです。

## 新品のマットレスについて

- 圧縮したマットレスは72時間から96時間で元の形に戻ります。
- 包装を解いた後の数日間、ポリウレタンフォーム特有のにおいが残ることがあります。においは次第に消えます。干したり掃除機をかけたりすると早くにおいが消えます。
- フォームは太陽の紫外線と空気中の酸素に反応して、時が経つと黄色く変色します。
- このマットレスは安全基準 (EN 16890:2017) に適合しています。

## ⚠ 重要!

ミニと赤ちゃん用ベッドの安全な機能を十分に御活用いただくために、使用説明書をよく読み、詳細に至るまでその指示に従って下さい。この使用説明書は、後で読み返せるように保管しておいて下さい。六角レンチも後で使用するために保管して下さい。組み立ててから2、3週間後に全てのねじを締め直してください。

- ミニ及び赤ちゃん用ベッドを組み立てる際、全体の形を組み立ててからねじをしかりと締めると、最も容易に組み立てることができます。
- ミニまたは赤ちゃん用ベッドは、必ず平らで安定したところに置いて下さい。組み立てた後で必ず全ての部品とねじを点検して硬く締めて下さい。部品とねじは定期的に点検し、必要に応じて締め直して下さい。ねじや部品が緩んでいますと赤ちゃんの身体や衣服 (紐やネックレス、おしやぶりのリボン等) が引っ掛かって窒息するおそれがあります。
- 火災の危険がありますので、絶対にミニまたは赤ちゃん用ベッドを火気や電熱線、ガス等の高温になるものそばに置かないで下さい。

- 危険ですから、ストッケ製品以外のアクセサリや交換部品を使用しないでください。お子さまの安全に影響を及ぼすことがあります。
- 部品が破損したり紛失したりしている場合には、ミニまたは赤ちゃん用ベッドを使用しないで下さい。代用部品はストッケによって承認されているものだけをお使い下さい。
- 赤ちゃん用ベッドの上に物を置かないで下さい。また踏み台になるような物や窒息の危険をもたらすような物、例えば紐、ブラインドやカーテンのコードのそばにベッドを置かないで下さい。
- ベッドに2枚以上のマットレスを重ねてのご使用はおやめください。

# 苦情申し立ての権利及び保証延長サービス

ベッド / 赤ちゃん用おもつ交換台 STOKKE® SLEEP™, (以下「製品」) に関し、世界中で適用されます

## 苦情申し立ての権利

お客様は顧客保護法の適用によりいかなるときでも苦情を申し立てることができ、その法は国により異なることがあります。一般的にSTOKKE ASでは、適用された法の規定を超えた権利や追加的な権利はいかなるときにも承認するものではありませんが、以下に述べる「保証延長サービス」というものを設けております。顧客保護法の下で保証されている権利は、この「保証延長サービス」の規定に追加される権利であって、「保証延長サービス」規定によって顧客保護法の権利が制限を受けることはありません。

## STOKKEの「保証延長サービス」

STOKKE AS ( Parkgata 6, N-6003 Ålesund, Norway) では、お買い上げいただいた製品を当社の保証データベースにご登録いただいたお客様には「保証延長サービス」を提供しています。ご登録は当社のウェブページwww.stokke.com/guaranteeからいただけます。ご登録は、ご登録させていただきます。保証証明書を発行し、Eメールまたは通常の郵便物でお客様にお届けします。

保証データベースにご登録いただけますと、製品の所有者の方は次のような「保証延長サービス」の資格が得られます。

- 製品の製造上の欠陥に対する7年間の保証。

この「保証延長サービス」は、製品を贈り物としてお受け取りになった場合、または中古品をお買い上げになった場合にも適用されます。したがって、「保証延長サービス」は、製品の所有者の方がどなたでも、保証期間内であればいつでもしていただくことができますが、所有者ご本人により保証証明書を提示していただくことが条件となります。

## STOKKEの「保証延長サービス」には以下のような条件が付いています。

- 通常の使用。
- 製品に意図された目的のためにのみ製品が使用されたこと。
- メンテナンス/使用説明書に記載された通り、製品に対して通常のメンテナンスが実施されたこと。
- 「保証延長サービス」が行使されるにあたり、ご購入いただいた日付が押された領収書の原本と共に保証証明書をご提示いただくこと。これは中古品をお買い上げになった所有者の方または製品を贈り物としてお受け取りになり所有者となられた方にもあてはまります。
- 製品はご購入された際の状態と同様であり、STOKKEにより供給さ

れた部品のみを使用し、それが意図されたように使用され、意図された製品と共に使用されていること。修正がある場合は、STOKKEから前もって書面による同意を得ていること。

## STOKKEの「保証延長サービス」により保証されないもの

- 製品を作っている部品を通常に使用したことにより生じた問題 (例 着色の変化、摩擦や裂け目)。
- 材料のわずかな違いにより生じた問題 (例 部品同士の色の違い)。
- 日光または光、温度、湿度、環境汚染など、外部要因からの極端な影響により生じた問題。
- 事故または災害 一例えば他の物体がぶつかった場合、人が衝突したことによって横転した場合など障害物との衝突により生じた損傷。同様に、たとえば重いものを上に乗せた場合など、過度の重荷が加えられた製品にもあてはまります。
- 外部影響、たとえば製品が荷物として発送されている場合に製品に影響した損傷。
- 間接的障害、たとえば人やその他の物体による損傷。
- Stokkelにより供給されていないアクセサリが製品につけられた場合、「保証延長サービス」は無効になります。

- 「保証延長サービス」は、製品と共に (あるいは後日)、ご購入いただいた (あるいは供給された) アクセサリには適用されません。

## STOKKEが「保証延長サービス」の下にある製品に実施すること。

- 欠陥のある部品、または製品全体 (必要な場合) のお取り替え、またはSTOKKEの判断により修理をいたします。その際はお買い上げの販売店に製品を持ち込んでいただくことが条件となります。
- 部品または製品のお取替えについては、STOKKEから、製品をお買い上げになった販売店への通常の輸送費は当社にて負担いたします。ただし、ご購入になった方の販売店までの交通費については保証の約定の下でのお支払いはいいたしません。
- 弊社は保証を行使したく際に欠陥品を同等の部品と取り替える権利を保持します。
- 弊社は保証を行使したく際に該当製品が製造されていない場合は、代替品を提供する権利を保持します。ただし、類似する品質や価値をもつ製品に限ります。

## 「保証延長サービス」の行使の仕方

一般に、「保証延長サービス」に関する請求はすべて、製品をお買い上げいただいた販売店を通しての対応となります。請求の際は、欠陥が見つかったらできるだけ早く、保証証明書とお買い上げ領収書の原本を必

ず持参してください。製造上の欠陥を確認するためには、通常、販売店にその製品を持参していただくか、あるいは調査のため販売店またはSTOKKE販売担当部にその製品をご提出いただくいずれかの方法によります。販売店またはSTOKKE販売担当部がその損傷は製造上の欠陥により生じたものであると決定した場合は、上記の規定にしたがって対応させていただきます。

EN 716:2017



# KR 주요 사항 - 나중에 참고할 수 있도록 보관하십시오! 숙독하여 주십시오!

새로운 Stokke® Sleepi™를 구입하신 것을 축하드립니다!  
Stokke® Sleepi™는 자녀의 출생에서부터 성장 단계에 맞추어 사용할 수 있습니다.

## Stokke® Sleepi™ Mini

- 자녀가 앉거나, 무릎을 꿇어 몸을 끌어 올릴 수 있게 되면, 미니 침대는 더 이상 사용할 수 없게 됩니다.
- 매트리스로부터 미니 침대의 상단 높이까지의 거리가 20cm 이상이어야 합니다. STOKKE 정품 매트리스를 사용하는 경우 문제가 없습니다.
- 어른의 감독없이 미니 침대 근처에서 다른 어린이가 놀이하도록 하지 않습니다.
- 어린이가 침대 안에 혼자 남겨진 경우 침대가 고정된 위치로 잠겨있는지 확인합니다

## Stokke® Sleepi™ Bed

- 요람 밑부분 높이는 네 군데의 기본 높이에서 조정할 수 있습니다. 매트리스로부터 유아 요람 상단 높이까지의 거리는 30cm(매트리스 최고 높이) 이상이어야 하며 50cm(매트리스 최저 높이)이하이어야 합니다. 본 위치 표시는 유아 요람 끝부분 (X)에 표시되어 있습니다. STOKKE 정품 매트리스를 사용하는 경우 문제가 없습니다.
- 요람의 밑부분의 최저 위치가 항상 가장 안전합니다. 자녀가 앉거나, 무릎을 꿇어 몸을 끌어 올릴 수 있게 되면, 요람 밑부분을 낮추어야 합니다.
- 약물, 끈, 고무, 작은 장난감이나 돈과 같은 품목 등은 요람의 어느 방향에서도 닿지 않도록 해야 합니다.
- "아이가 스스로 침대에서 오르고 내릴 때 떨어져 부상 당하는 일을 방지하기 위해 Sleepi® Bed™"를 침대 대신 다른 세팅으로 바꾸어주세요. 앞쪽 사이드를 제거하고 침대 높이를 가장 낮은 단계로 조절해주세요. 조절 후에는 아이가 스스로 침대에 오르고 내릴 수 있습니다. 이 때 침대의 바퀴를 제거해주는 일 또한 필요합니다.

## 청소 및 s유지 보수

매트리스: 매트리스 커버: 60도에서 세탁 가능. 젖은 상태에서 잡아 늘어줍니다. 빨래 건조기는 사용하지 마십시오.  
스폰지: 60도에서 열을 가하거나 끓는 물에서 세탁/세척할 수 있습니다. 자녀가 소변 실수를 한 경우, 곰팡이가 균이 서식할 수 있는 최적의 환경을 갖추게 되므로 항상 매트리스를 세탁해야 합니다.  
목재: 축축하게 적신 깨끗한 천으로 닦아낸 후, 물기를 제거합니다. 어떠한 세제도 사용하지 않도록 합니다. 햇빛에 노출될 경우 색상이 변할 수 있습니다.  
일반 사용: 아침에는 항상 커버를 벗겨 침대와 커버를 "정돈"하고 정리합니다.

## 관장되는 매트리스 크기

이 침대는 폭 677 mm, 길이 1,210 mm, 두께 80 mm의 Sleepi와 폭 573 mm, 길이 733 mm, 두께 80 mm의 미니 침대로 구성된 매트리스와 함께 사용하도록 제작되었으며, 유아용 요람과 미니 침대 형태로 변형하여 사용할 수 있습니다. 매트리스와 요람의 측면 및 끝부분 사이의 간격이 30 mm를 초과해서는 안되므로 폭과 길이가 지정되어 있습니다. 이렇게 함으로써 자녀의 팔 다리가 공간에 끼이는 위험을 최소화할 수 있습니다. 또한 자녀가 요람에 기어올라가거나 떨어질 때의 사고 위험을 최소화할 수 있도록 아래 부분의 매트리스 밑바닥에서 요람 깊이가 500 mm 이상이 될 수 있게 매트리스 두께가 지정되었습니다.

## 새 매트리스에 대한 정보

- 72 - 96시간 후에 압축된 매트리스가 원래 형태로 복원됩니다.
- 폴리우레탄 소재의 스폰지는 포장을 푼 후 몇 일 동안 특이한 냄새가 날 수 있으며, 이 냄새는 일정 기간이 지난 후 사라집니다. 매트리스에 공기를 분사하거나 진공 청소를 하면 냄새를 제거하는 데 도움이 됩니다.
- 스폰지는 햇빛의 자외선과 공기 중의 산소와 반응하여 일정 기간 후에 노란색으로 변합니다.
- 매트리스는 EN 16890:2017을 준수합니다.

# 주요 사항!

본 지침 사항을 주의깊게 읽고 상세히 따라 미니 침대와 요람의 안전 기능에 전혀 문제가 없도록 합니다. 나중에 사용할 수 있도록 본 지침 사항을 보관하십시오. 나중에 사용할 수 있도록 열린 키를 보관하십시오. 조립한 후 2-3주 후에 모든 나사를 다시 조이십시오.

- 미니 침대나 요람 조립 시 전체 설비가 조립될 때까지 나사를 완전히 조이지 마십시오. 이러한 지침을 따라야 조립을 쉽게 할 수 있습니다.
- 미니 침대나 요람이 안정된 고른 평면에 위치하였는지 확인합니다. 조립 후에는 모든 이음쇠와 나사를 점검하고 단단히 조입니다. 이음쇠나 나사 연결 부위를 정기적으로 점검하여 필요하면 다시 조입니다. 나사 연결이나 부품이 헐거울 경우 아기가 침대 목재 부분을 덮치거나 의류(예: 유아용 끈, 목걸이, 리본, 고무 찢꼭지 등)로 인해 목이 졸릴 수 있습니다.

- 전기 난로, 가스 난로 등과 같은 화기나 강한 열기 기구 근처에 미니 침대나 요람이 있을 경우 화재가 발생할 수 있으므로 절대 근처에 침대를 배치하지 마십시오.
- 부품이 파손, 손상되었거나 없는 경우 미니 침대나 요람을 사용하지 마십시오. 반드시 STOKKE에서 승인한 예비 부품만을 사용하십시오.
- STOKKE® 외의 부품이나 액세서리를 사용하지 마세요. STOKKE® 외의 부품이나 액세서리를 사용할 경우에 아기의 안전에 위험이 될 수 있다.

- 요람 안에 물건을 두거나 어린이가 발판으로 사용할 수 있는 다른 제품 또는 끈, 블라인드/커튼 줄과 같이 직실을 일으킬 수 있는 물건을 요람 가까이에 두지 마십시오.
- 오두막집에 한개 이상의 매트리스를 사용하지 마시오.

# 불만 신고 및 및 보증 기한 연장

본 설명서에 명시된 제품인 침대, 아기 기저귀 테이블, 의자, 보관 용품, STOKKE® SLEEPi™ 에 대해 전 세계적으로 적용됩니다.

## 불만 신고 권리

고객은 각국의 소비자 보호 법안에 의거하여 특정기간에 이익을 제 기할 권한을 소지한다.

STOKKE AS는 비록 아래에서 "연장형태의 보증"에 대해 언급했다 라도, 특정기간에 상기 사항 이외의 추가적 형태의 권한을 부여하지 않는다. 소비자 보호법에 의거한 소비자의 권한은 "연장형태의 보증"권내에서 추가되며, 그것으로 인해 영향받지 않는다.

## STOKKE "연장형태의 보증"

그렇지만, Parkgata 6, N-6003 Ålesund, Norway에 위치한 STOKKE AS사는, 당사 보증 데이터 베이스에 해당사 제품을 등록하는 고객들에게는 "연장 보증"을 허용하고 있다. 등록은 당사의 웹 페이지 [www.stokkewarranty.com](http://www.stokkewarranty.com)을 통해 가능하다.등록이 된 이후 보증서가 발행되고 이메일이나 우편으로 고객에게 송부된다.

보증 데이터베이스에 등록을 통해서, 제품 소유자는 다음 "연장형태의 보증"에 대한 자격을 갖는다.

- 제품의 결함에 대한 7년 보증기간

"연장형태의 보증"은 제품을 선물로서 받은 경우나, 중고품의 형태로 구매한 것에 대해서도 적용 된다. 결과적으로 "연장형태의 보증"은 특정 보증기간 동안에 제품의 소유자가 누구이든간에 자격이 있으나, 소유주로부터 건네받은 보증서가 있어야만 한다.

## STOKKE "연장형태의 보증"은 다음조건에 적용될 수가 있다.

- 정상적인 사용.
- 제품이 사용 목적에 맞게 사용됨.
- 관리/사용 설명서에 따른 관리가 있었던 경우.
- "연장형태의 보증"을 사용할 시에 보증서와 영수증을 제출해야함. 제2의 혹은 추후 해당 제품의 소유자도 이 와 같은 절차를 따라야 함.
- 제품이 원래의 제품 형태로서 해당 제품에만 부품이 사용되어야 하며 제품 내 STOKKE 부품 등의 대체, 부품 해체 등의 변경상태가 없어야 함. 이의 변경사항의 경우 STOKKE로부터 사전 서면동의안을 요청함.
- 제품의 시리얼 번호가 제거되거나 파손되지 않아야 함.

## STOKKE사의 "연장형태의 보증"은 다음의 경우 해당되지 아니한다.

- 사용부품의 일반적 형태의 변화 현상들 (색상변경, 마모 등)
- 사용재료들에 있어서의 문제가 되지 않는 근소한 차이점들 (부품

- 간의 색상 차이 등)
- 빛, 온도, 습도, 오염 등 외부적 요인
- 각종 사고원인/불상사 - 다른 물체와 이들 제품이 부딪치거나 사람이 부딪히게 되어 제품을 뒤집게 되는 경우의 예. 제품에 무리하게 무게가 가해지는 경우
- 외부요인에 의하여 발생한 손상. 예로 수화물로서 제품이 발송되어 도착한 경우.
- 사람이나 기타 물체에 손상이 감으로써 제품에 가해진 간접적 손상의 발생
- 현재 Stokke 부속품이 아닌 것이 제품에 수반된 경우 "연장형태의 보증"에 포함되지 아니한다.
- 추후에 구매된 부속품이거나 제품에 딸린 기타 부속품들은 "연장형태의 보증"에 속하지 않는다.

## STOKKE 의 "연장형태의 보증"수행 작업

- 제품이 소매점에 반환된 이후 결함있는 부품을 대체하거나, (필요한 경우) 제품 전체를 교환하도록 하는데 이는 STOKKE가 선호하는 방향에 의해 결정된다.
- 제품/부품 대체 시에 STOKKE에서 제품이 구매된 소매점에 이르러까지의 해당되는 운송비를 제공하도록 한다. 단, 구매자에게 수반되는 운송비는 제공되지 않는다.

- 보증서가 발하는 일자에 의거하여 문제의 부품을 동일 디자인 형태의 부품으로서 대체하도록 한다.
- 보증서가 발하는 일자에 현재 관련 하자 제품이 제조되고 있지 않는 경우 이의 대체품(동일 가격 및 품질을 수반하는)을 전달하도록 한다.

## "연장형태의 보증"을 발하는 방법

"연장형태의 보증"에 관련된 모든 질문은 제품을 구매한 곳에서 해야한다. 이런 요청은 제품하자 발견 즉시 해야하며 동시에 영수증과 함께 보증서도 있어야 한다. 제조결함을 증명하는 문서/증거물을 제출하도록 한다: 소매점에 해당 하자 제품을 제출하거나 소매점이나 혹은 STOKKE 영업 담당자에게 본 해당제품을 제출하여 제품에 대한 조사 과정을 거치도록 한다.

소매점이나 또는 STOKKE 영업 담당자가 제조사의 결함으로 판정하는 경우 상기 조항에 의거하여 제품에 대한 조사가 이루어지게 된다.



EN 716:2017



# NL BELANGRIJK. BEWAAR VOOR TOEKOMSTIG GEBRUIK. ZORGVULDIG DOORLEZEN!

## Gefeliciteerd met uw nieuwe Stokke® Sleepi™!

Stokke® Sleepi™ is een bed dat vanaf de geboorte gebruikt kan worden en dat met uw kind meegroeit.

### Stokke® Sleepi™ Mini

- Zodra uw kind kan zitten, op de knieën kan staan of zichzelf omhoog kan trekken, kunt u de babybedje niet langer gebruiken voor dit kind.
- Zorg ervoor dat de afstand tussen het matras en de rand van de wieg nooit kleiner is dan 20 cm. Als u de originele matras van STOKKE gebruikt, zult u dit probleem nooit hebben.
- Laat andere kinderen niet zonder toezicht in de buurt van de wieg spelen.
- Zorg ervoor dat de wieg vaststaat in een bepaalde positie (op de rem) als een kind er zonder toezicht in ligt.

### Stokke® Sleepi™ Bed

- De bedbodem kan op vier basishoogtes ingesteld worden. Zorg ervoor dat de afstand tussen het matras en de rand van het bed nooit kleiner is dan 30 cm in de hoogste stand en 50 cm in de laagste stand. Dit niveau is aangegeven met een symbool

op het voeteneinde (Σ). Als u de originele matras van STOKKE gebruikt, zult u dit probleem nooit hebben.

- De laagste stand van de bedbodem is altijd de veiligste. Zodra uw baby kan zitten of zichzelf op kan hijsen, moet de bedbodem lager worden ingesteld.
- Zie erop toe dat medicijnen, snoeren, elastiek, kleine speeltjes of kleine voorwerpen zoals geld niet binnen handbereik zijn vanuit het bed.
- Als uw kind zelf in en uit het bed kan klimmen, mag u niet langer gebruik maken van de Sleepi® Bed™ als een ledikant, om verwondingen te voorkomen door een valpartij. U kunt overwegen om een zijpaneel te verwijderen van het ledikant en de bedbodem in de laagste positie te plaatsen. Op deze manier kan uw kind zelf veilig in en uit bed stappen. Let op dat u ook de wieljes verwijdert, dit is belangrijk."

### Reiniging en onderhoud

MATRAS: Matrashoes: wasbaar op 60 graden. Nat uitstrekken. Niet centrifugeren. Schuim: kan tot 60 graden verwarmd worden en gewassen/gespoeld worden in heet water. Bij bedplassen altijd de matras wassen: urine is een uitstekende groeibodem voor schimmels.

HOUTWERK: Afvegen met een schone en vochtige doek. Overmatig water wegvegen.

Wij raden het gebruik van reinigingsmiddelen af. De kleuren kunnen veranderen bij blootstelling aan zonlicht.

NORMAAL GEBRUIK: altijd 's ochtends het dekbed verwijderen en bed en dekbed af laten koelen en op laten drogen.

### Aanbevolen matrasgrootte

Het bed is geschikt voor matrassen met een breedte van 677 mm, een lengte van 1210 mm en een dikte van 80 mm en de wieg is geschikt voor matrassen met een breedte van 573 mm, een lengte van 733 mm en een dikte van 80 mm, die de vorm van het bed/de wieg hebben. De breedte en lengte worden genoemd, omdat het belangrijk is dat de gaten tussen het matras en de zijkanten en uiteinden van het bed niet groter zijn dan 30 mm. Dit om het risico te minimaliseren dat een been of arm van het kind klem komt te zitten in de gaten. De dikte van het matras wordt genoemd zodat de diepte van het bed groter is dan 500 mm met de matras in de laagste positie. Dit ter minimalisering van het risico dat een kind uit het bed klimt of valt.

## ⚠ WAARSCHUWING!

Lees deze aanwijzingen zorgvuldig door en volg ze tot in detail, zodat u ervan verzekerd bent dat de veiligheid bij het gebruik van de wieg en het bed gewaarborgd wordt. Bewaar deze instructies voor later gebruik. Bewaar de inbussleutel voor later gebruik. Draai alle schroeven 2-3 weken na montage opnieuw aan.

- Draai de schroeven bij het monteren van de wieg of het bed pas goed aan wanneer u alle onderdelen van de wieg of het bed heeft gemonteerd. Dat vereenvoudigt de montage.
- Plaats de wieg of het bed op een vlakke en stabiele ondergrond. Controleer na de montage alle bevestigingen en schroeven en draai deze aan. Bevestigingen en schroeven moeten regelmatig worden gecontroleerd en, indien nodig, worden aangedraaid. Loszittende schroeven of onderdelen kunnen ertoe leiden dat lichaamsdelen of kledingstukken van de baby vast komen te zit-

- ten (bijv. snoeren, halsbandjes, linten van fopspenen, enz.) en er gevaar voor verstikking ontstaat.
- Plaats de wieg of het bed nooit bij een open vuur of een andere sterke warmtebron zoals een elektrische straalkachel, gashaarden e.d. met het oog op brandgevaar.
- Gebruik de wieg of het bed niet wanneer er een onderdeel kapot is, beschadigd is of ontbreekt, en gebruik alleen door STOKKE® goedgekeurde reserveonderdelen.
- Gebruik geen accessoires of vervangende onderdelen die niet

### Informatie over uw nieuwe matras

- Samengedrukte matrassen krijgen hun oorspronkelijke afmetingen na 72-96 uur terug
- Polyurethaanschuim heeft een kenmerkende geur die een paar dagen na het uitpakken soms nog waar te nemen is. Deze geur zal verdwijnen. Door de matras te luchten en te stofzuigen verdwijnt de geur sneller.
- Het schuim reageert met ultraviolet licht van de zon en met zuurstof uit de lucht en zal op den duur vergelen.
- De matras voldoet aan de EN 16890:2017 normering.

door Stokke® zijn geproduceerd; dit kan de veiligheid van je kind in gevaar brengen.

- Laat geen losse onderdelen in het bed liggen en plaats het bed niet dicht bij een ander product dat als opstapje voor uw kind kan fungeren of gevaar tot verstikking of beknelling kan veroorzaken (bijv. snoeren, gordijnkoorden, enz.).
- Gebruik nooit meer dan één matras in het ledikant.

## Klachtrecht en aanvullende garantie

Wereldwijd van toepassing met betrekking tot het bed Stokke® Sleepi™, hierna genoemd 'het product'.

### KLACHTRECHT

De klant heeft het recht om een klacht in te dienen krachtens de op enig moment toepasselijke wetten op de bescherming van de consument, welke wetgeving van land tot land verschillend kan zijn.

Over het algemeen gesproken kent STOKKE AS geen andere of verdergaande rechten toe dan die zijn vastgelegd in de op enig moment toepasselijke wetgeving, hoewel wordt verwezen naar de 'Aanvullende garantie' hieronder. De rechten van de consument onder de op enig moment toepasselijke wetgeving op de bescherming van de consument zijn in aanvulling op de rechten die hieronder zijn neergelegd in 'Aanvullende garantie', en worden daardoor niet aangetast.

### STOKKE® 'AANVULLENDE GARANTIE'

STOKKE AS, Parkgata 6, N-6003 Ålesund, Noorwegen geeft echter een 'Aanvullende garantie' aan klanten die hun product registreren in onze garantiedatabase. Dit kan worden gedaan op onze website [www.stokke.warranty.com](http://www.stokke.warranty.com). Na de registratie wordt er een garantiecertificaat gemaakt, dat aan de klant wordt verstuurd per e-mail of gewone post.

Registratie in de garantiedatabase geeft de eigenaar recht op de volgende 'Aanvullende garantie':

- 7-jarige garantie voor fabricagefouten in het product.

De 'Aanvullende garantie' is ook van toepassing als het product is gekregen of tweedehands is gekocht. De 'Aanvullende garantie' mag derhalve worden ingeroepen door iedere eigenaar van het product, op elk moment binnen de garantieperiode, mits de eigenaar het garantiecertificaat kan overleggen.

Voor de 'Aanvullende garantie' van STOKKE® moet aan de volgende voorwaarden zijn voldaan:

- Normaal gebruik.
- Het product is alleen gebruikt voor het doel waar het product voor is bedoeld.
- Het product is op de normale wijze onderhouden, zoals beschreven in de onderhouds-/gebruiksaanwijzing.
- Bij het inroepen van de 'Aanvullende garantie' dient het garantiecertificaat samen met het originele, gedateerde aankoopbewijs te worden overlegd. Dit is ook van toepassing voor een tweede of volgende eigenaar.
- Het product moet zich in de oorspronkelijke staat bevinden, met uitsluitend door STOKKE® geleverde onderdelen die zijn bedoeld voor het gebruik in, of samen

met het product. Voor alle afwijkingen van het voorgaande is de voorafgaande schriftelijke toestemming van STOKKE® vereist.

- Het serienummer van het product mag niet zijn vernietigd of verwijderd.

### De 'Aanvullende garantie' van STOKKE® dekt niet:

- Zaken die zijn veroorzaakt door de normale ontwikkeling van de onderdelen waar het product uit bestaat (bijv. kleurveranderingen en slijtage).
- Zaken die zijn veroorzaakt door kleine variaties in de materialen (bijv. kleurverschillen tussen de onderdelen).
- Zaken die zijn veroorzaakt door extreme invloed van externe factoren zoals zon/licht, temperatuur, vochtigheid, milieuvervuiling, etc.
- Schade die is veroorzaakt door een ongeluk/incident – bijvoorbeeld andere voorwerpen zijn tegen het product gestoten, of een persoon is tegen het product aangelopen waardoor het is omgevallen. Dit is ook van toepassing bij overbelasting van het product, bijvoorbeeld door het plaatsen van een te hoog gewicht op het product.
- Schade die door externe invloeden aan het product is toegebracht, bijvoorbeeld bij het vervoer van het product als bagage.
- Gevolgschade, bijvoorbeeld persoonlijk letsel en/of schade aan andere objecten.
- Als het product is uitgerust met accessoires die niet door STOKKE® zijn geleverd vervalt de 'Aanvullende garantie'.

- De 'Aanvullende garantie' is niet van toepassing op accessoires die samen met het product, of daarna, zijn geleverd of gekocht.

### Onder de 'Aanvullende garantie' zal STOKKE®:

- een defect onderdeel of (indien nodig) het gehele product vervangen of – als STOKKE® dit preferereert – het defecte onderdeel repareren, mits het product bij een wederverkoper wordt afgeleverd.
- bij de vervanging van een onderdeel/het product de normale vervoerskosten dekken van STOKKE® naar de wederverkoper waar het product is gekocht. – De reiskosten van de koper worden niet vergoed onder de voorwaarden van deze garantie.
- zich bij een beroep op de garantie het recht voorbehouden om defecte onderdelen te vervangen door onderdelen van ongeveer hetzelfde ontwerp.
- zich het recht voorbehouden om een vervangend product te leveren als het relevante product niet langer wordt gefabriceerd op het moment van het inroepen van de garantie. Een dergelijk product zal van vergelijkbare kwaliteit en waarde zijn.

### Hoe kan de 'Aanvullende garantie' worden ingeroepen:

Over het algemeen worden alle verzoeken in verband met de 'Aanvullende garantie' gericht aan de wederverkoper waar het product is gekocht. Dergelijke verzoeken dienen zo snel mogelijk na het ontdekken van het gebrek te worden gedaan en dienen vergezeld te gaan van het garantiecertificaat en het originele aankoopbewijs.

Documentatie/bewijs waar het fabricagedefect uit blijkt moet worden overlegd, normaal gesproken door het product mee te nemen naar de wederverkoper, of anderszins aan de wederverkoper of aan een verkoopvertegenwoordiger van STOKKE® ter inspectie te worden gepresenteerd.

Dit defect wordt in overeenstemming met de voorgaande bepalingen verholpen als de verkoopvertegenwoordiger van STOKKE® of de wederverkoper bepaalt dat de schade is veroorzaakt door een fabricagefout.



EN 716:2017

# NO VIKTIG – OPPBEVARES TIL SENERE BRUK. LESES NØYE!

## Gratulerer med din nye Stokke® Sleepi™!

Med Stokke® Sleepi™ får du en seng som kan brukes fra fødselen av, og som vokser med barnet.

### Stokke® Sleepi™ Mini

- Når barnet er i stand til å sitte, stå på knærne eller heise seg opp, skal spedbarnsengen ikke lenger brukes til dette barnet.
- Påse at avstanden fra madrassen til den øvre kanten av spedbarnsengen alltid er minst 20 cm. Ved å bruke originalmadrassen fra STOKKE, er dette ivarettatt.
- La ikke andre barn leke i nærheten av spedbarnsengen uten tilsyn.
- Påse at spedbarnsengen er låst i en fast stilling (bremses på) når barnet ligger i den uten tilsyn.

### Stokke® Sleepi™ Bed

- Sengebunnen kan reguleres i høyden i fire forskjellige trinn. Påse at avstanden fra madrassen til den øvre sengekanten er minst 30 cm i høyeste posisjon, og 50 cm i laveste posisjon. Nivået er merket av på sengeenden (↘). Ved å bruke originalmadrass fra STOKKE, er dette ivarettatt.

- Laveste posisjon for sengebunnen er alltid den tryggeste. Så snart barnet kan sitte eller reise seg opp, skal sengebunnen senkes.
- Påse at medisiner, snorer, strikker, små leker eller småting som mynter o.l. holdes utenfor sengens rekkevidde, uansett posisjon.
- For å unngå fallulykker når barnet ditt er i stand til å klatre ut av sengen på egenhånd, skal du ikke lenger bruke Sleepi® Bed™ som en sprinkelseng. Du kan om ønskelig fjerne en av sidene til sengen og sette bunnen på det laveste stillet. På denne måten kan baret klatre trygt ut og inn av sengen på egenhånd. I dette tilfelle er det viktig å fjerne hjulene på sengen.

### Renhold og vedlikehold

**MADRASSEN:** Madrasstrekk: Kan vaskes på 60 °C. Strekkes i våt tilstand. Bruk ikke tørketrommel.

**Skum:** Kan varmebehandles opp til 60 °C og vaskes/skylles i varmt vann. I tilfeller av sengevæting bør madrassen alltid vaskes, da urin virker svært vekstfremmende for muggsopp.

**TREVERK:** Kan vaskes med en ren, fuktig klut, tørk av overskytende vann. Vi anbefaler ikke bruk av såpe. Fargen kan endre seg hvis den blir utsatt for sollys.

**DAGLIG BRUK:** Ta bort dynen hver morgen og la seng og dyne "nedkjøles" og tørke.

### Anbefalt madrassstørrelse

Denne barnesengen er laget for bruk med en madrass som er 677 mm bred, 1210 mm lang og 80 mm tykk for Sleepi, og 573 mm bred, 733 mm lang og 80 mm tykk for babysengen, og som er formet som barnesengen/spedbarnsengen. Bredde og lengde er spesifisert fordi det er viktig at åpningene mellom madrass og sider og sengeender ikke overstiger 30 mm. Dette for å minimalisere faren for at barnet på en eller annen måte skal sette seg fast. Madrassens tykkelse er fastsatt for å sikre at barnesengens dybde er større enn 500 mm når madrassbunnen står i laveste posisjon. Dette for å minimalisere faren for at barnet skal klatre eller falle ut av sengen.

### Opplysninger om den nye madrassen din

- Sammenpressede madrasser får tilbake sin opprinnelige form etter 72–96 timer
- Polyuretanskum har en egen lukt som kan sitte i noen dager etter utpakking. Lukten vil forsvinne. Det kan hjelpe å lufte og støvsuge madrassen.
- Skummet reagerer med ultrafiolett lys fra sol og oksygen fra luft, og vil gulnes med tiden.

## ⚠ VIKTIG!

Les nøye gjennom denne bruksanvisningen og følg den i detalj slik at sikkerheten ved bruk av spedbarnsengen og barnesengen blir ivarettatt. Oppbevar bruksanvisningen til senere bruk og ta vare på sekskantnøkkelen. Etter 2-3 ukers bruk bør alle skruer ettertrekkes.

- **Ved montering av spedbarnsengen eller barnesengen anbefaler vi at ingen av skruene trekkes til før hele enheten er montert. Dette er den enkleste måten å montere sengen på.**
- **Påse at spedbarnsengen eller barnesengen blir plassert på et rett og stabilt underlag. Etter montering skal alle beslag og skruer kontrolleres og festes godt. Beslag og skruer bør etterkontrolleres med jevne mellomrom og evt. festes/trekkes til. Dårlig sammenkrudd seng og løse deler kan føre til at barnet klemmer seg eller**

- at klær (f.eks. lisser, Halsbånd, bånd på narresmocker o.l.) kan bli hengende fast og utgjøre en fare for kvelning.**
- **Sett aldri spedbarnsengen eller barnesengen ved åpen ild eller andre sterke varmekilder som elektriske stråleovner, gassovner o.l., på grunn av brannfaren. Spedbarnsengen eller barnesengen skal ikke brukes dersom noen av delene er defekte eller mangler. Bruk bare reservedeler som er godkjent av STOKKE.**

- Madrassen overholder EN 16890:2017.

- **Bruk ikke ekstrautstyr eller reservedeler som ikke er produsert av Stokke®; dette kan gå ut over barnets sikkerhet.**
- **Etterlat ikke noe i barnesengen eller sett sengen inntil en gjenstand som barnet kan bruke som trinn for å komme seg ut, eller inntil snorer, rullegardiner, gardinbånd o.l. som kan utgjøre en fare for kvelning.**
- **Bruk kun én madrass i sengen.**

## Reklamasjon og Utvidet Garanti

Gjeldende Worldwide for seng Stokke® Sleepi™, heretter kalt produktet

### REKLAMASJON

Kunden har reklamasjonsrett på produktet i henhold til den enhver tid gjeldende forbrukerlovgivning, som kan variere fra land til land.

STOKKE AS gir i utgangspunktet ikke tilleggsrettigheter utover det som følger av den til enhver tid gjeldende lovgivning, se likevel nedenfor om "Utvidet Garanti". Kundens rettigheter etter den til enhver tid gjeldende forbrukerlovgivning kommer i tillegg til "Utvidet Garanti", og berøres ikke av denne.

### STOKKE® "UTVIDET GARANTI"

STOKKE AS, Parkgata 6, N-6003 Ålesund, gir imidlertid en «forlenget garanti» til kunder som registrerer produktet sitt i databasen vår. Dette kan gjøres via vår hjemmeside, [www.stokkewarranty.com](http://www.stokkewarranty.com). Etter registreringen vil det bli utstedt et garantisertifikat, som kunden vil motta elektronisk (e-post) eller via vanlig postgang.

Registrering i Garantidatabasen gir rett til "Utvidet Garanti" som følger:

- 7 års garanti mot enhver fabrikkasjonsfeil på produktet.

"Utvidet Garanti", gjelder også om produktet er mottatt som gave eller kjøpt brukt. Således gjelder "Utvidet Garanti" for den som til enhver tid eier produktet, innenfor garantiperioden og under forutsetning av at garantibevis blir fremlagt av eieren.

### STOKKE® "Utvidet Garanti" forutsetter følgende:

- Normal bruk
- Produktet er kun benyttet til det formål som produktet er beregnet for
- Produktet er normalt vedlikeholdt, som beskrevet i vedlikeholds-/bruksveiledning.
- Ved benyttelse av "Utvidet Garanti" skal garantibeviset fremlegges sammen med original kjøpskvittering med datostempel. Dette gjelder også for eventuell annenhånds eller senere eier.
- At produktet fremstår i original utførelse, herunder at det kun er benyttet komponenter som er levert av STOKKE®, beregnet brukt på eller sammen med produktet. Avvik fra dette må være skriftlig forhåndsavtalt med STOKKE®.
- At serienummer på produktet ikke er ødelagt eller fjernet.

### STOKKE® "Utvidet Garanti" dekker ikke:

- Forhold som skyldes normal utvikling i produktets bestanddeler/komponenter (f. eks fargeendring og slitasje)
- Forhold som skyldes små variasjoner i materialer (f. eks fargeulikheter på komponenter)
- Forhold som skyldes ekstrem påvirkning fra ytre faktorer som sol/lys, temperatur, fuktighet, miljøforurensning m.v.

- Skader forårsaket av ulykke/uhell – eksempelvis velting eller kollisjon med fortauskant, skilt, dar eller annen hindring. Det samme gjelder om produktet har vært utsatt for overbelastning, eksempelvis vekt eller kjøring på ekstremt ujevnt underlag.
- Skader påført produktet ved ytre påvirkning, eksempelvis når produktet sendes som reisegods.
- Følgeskader, for eksempel skade som blir påført personer og/eller andre gjenstander
- Har produktet vært påmontert tilleggsutstyr som ikke er levert av STOKKE®, bortfaller gyldighet av "Utvidet Garanti"
- "Utvidet Garanti" omfatter ikke tilleggsutstyr som blir kjøpt eller levert sammen med produktet eller på et senere tidspunkt.

### Under "Utvidet Garanti" vil STOKKE®:

- Erstatte eller – etter STOKKE®s valg – utbedre den defekte komponent eller hele produktet (om dette er nødvendig), mot innlevering av produktet til forhandler.
- Dekke normale transportkostnader for erstatningskomponent/-produkt fra STOKKE® til forhandler hvor produktet er kjøpt. – Reisekostnader for kjøper dekkes ikke under garantivilkår.
- Forbeholde seg retten til å erstatte defekte komponenter, med komponenter som er tilnærmet lik i utførelse, på reklamasjonstidspunktet.
- Forbeholde seg retten til å levere erstatningsprodukt i tilfeller hvor vedkommende

produkt ikke lenger er i produksjon på reklamasjonstidspunktet. Dette produktet skal være av tilsvarende kvalitet og verdi.

### Fremgangsmåte ved benyttelse av "Utvidet Garanti":

Alle forespørsler angående "Utvidet Garanti" skal normalt rettes til forhandleren hvor produktet ble kjøpt. Forespørselen skal skje så snart som mulig etter at en eventuell defekt er oppdaget, og være vedlagt garantibevis sammen med original kjøpskvittering. Dokumentasjon / bevis som bekrefter fabrikkasjonsfeilen skal fremlegges, normalt ved at produktet medbringes til forhandler, eller på annen måte fremstilles for inspeksjon av forhandler eller salgsrepresentant fra STOKKE®.

Hvis forhandleren eller salgsrepresentant fra STOKKE® fastslår at skaden skyldes fabrikkasjonsfeil, vil feilen bli utbedret i samsvar med ovenstående bestemmelser.

EN 716:2017



# PL WAŻNE - ZACHOWAĆ DO PRZYSZŁEGO WYKORZYSTANIA! PRZECZYTAĆ UWAŻNIE!

## Gratulujemy zakupu nowego Stokke® Sleepi™!

Dzięki Stokke® Sleepi™ posiadają Państwo łóżeczko, które może być używane od samych narodzin dziecka i które rośnie wraz z nim.

### Stokke® Sleepi™ Mini

- Gdy dziecko potrafi już siadać, kłęcząc lub podnosić się, nie należy już używać Mini.
- Pamiętaj o tym, aby odległość od materaca do górnej krawędzi Mini nie była nigdy mniejsza, niż 20 cm. Problem nie wystąpi w przypadku używania oryginalnego materaca STOKKE®.
- Nie pozwalaj innym dzieciom na zabawę bez nadzoru w pobliżu Mini.
- Upewnij się, że Mini jest zablokowane w ustalonej pozycji, gdy dziecko jest w nim pozostawiane bez nadzoru.

### Stokke® Sleepi™ Bed

- Wysokość mocowania podstawy łóżeczka może być ustawiona na jednym z czterech podstawowych poziomów. Pamiętaj o tym, aby odległość od materaca do górnej krawędzi łóżeczka nie była nigdy mniejsza, niż 30 cm przy najwyższej

konfiguracji i 50 cm przy konfiguracji najniższej. Ten poziom oznaczony jest na końcu łóżeczka (↘).

- Najniższa pozycja podstawy łóżeczka jest zawsze najbezpieczniejsza. Jak tylko dziecko będzie umiało siadać lub podnosić się, należy opuścić podstawę łóżeczka.
- Pamiętaj o tym, aby lekarstwa, sznurki, gumki, małe zabawki lub inne małe przedmioty, takie jak pieniądze, były zawsze poza zasięgiem dziecka znajdującego się w łóżeczku.
- W celu zapobiegania wypadkom spowodowanym samodzielnym wychodzeniem dziecka z łóżeczka, w momencie gdy zaczyna ono próby wspinania się na barierkę, należy zaprzestać korzystania ze Sleepi™ Bed™ w postaci łóżeczka dla niemowląt. Zalecamy wówczas usunięcie jednego z boków łóżka i opuszczenie dna do najniższej pozycji. Teraz dziecko będzie mogło bezpiecznie samodzielnie wchodzić i wychodzić z łóżeczka. Prosimy również pamiętać o jednoczesnym demontażu kółek.

### Czyszczenie i konserwacja

MATERAC: Poszewka materaca: Prać w 60°C. Suszyć w stanie rozłożonym. Nie używać suszarki bębnowej.

PIANKA: Może być poddana obróbce cieplnej w 60°C i można ją myć/splukiwać gorącą wodą. W przypadku przedostania się moczu na materac, należy go zawsze wyprać; moc jest bardzo dobrą pożywką dla grzybów.

ELEMENTY DREWNIANE: Zetrzeć czystą, wilgotną ściereczką i usunąć nadmiar wody. Nie zalecamy używania jakichkolwiek detergentów. Kolor może ulec zmianie w wyniku ekspozycji słonecznej.

Zwykłe użytkowanie: Zawsze zdejmować rano kołderkę i pozwolić łóżeczku oraz kołderce „ochłodzić” oraz wyschnąć.

### Zalecany rozmiar materaca

Łóżeczko to zostało zaprojektowane do użytku z materacami o kształcie dostosowanym do łóżeczek/mini-łóżeczek i wymiarach 677 mm szer. i 1210 mm dł. oraz 80 mm gr. dla modelu Sleepi, a także 573 mm szer. i 733 mm dł. oraz 80 mm gr. dla modelu Mini. Szerokość i długość została podana, ponieważ bardzo ważne jest, aby przerwy między materacem i bokami oraz końcami łóżeczka nie były większe niż 30 mm. Ma to na celu zminimalizowanie ryzyka zaklinowania się nóżki dziecka. Grubość materaca podano, aby zapewnić głębokość łóżeczka

większą niż 500 mm w pozycji z opuszczoną podstawą w celu zminimalizowania ryzyka wspinania się dziecka lub jego wypadnięcia z łóżeczka.

### Informacje o nowym materacu

- Ściśnięte materace powracają do oryginalnego kształtu w ciągu 72-96 godzin
- Pianka poliuretanowa charakteryzuje się szczególnym zapachem, który może utrzymywać się przez kilka dni po rozpakowaniu. Zapach ten z czasem zaniknie. Przewietrzanie i odkurzanie materaca odkurzaczem przyspiesza pozbycie się zapachu.
- Pianka pod wpływem promieni ultrafioletowych obecnych w świetle słonecznym oraz tlenu znajdującego się w powietrzu z czasem zmienia kolor na żółty.
- Materac jest zgodny z normą EN 16890:2017.



## WAŻNE!

Przeczytać uważnie niniejsze instrukcje i szczegółowo ich przestrzegać. Zawsze postępować zgodnie z zaleceniami dotyczącymi bezpiecznego użytkowania Mini oraz łóżeczka. Zachować instrukcje do przyszłego wykorzystania. Zachować klucz imbusowy do przyszłego wykorzystania. Ponownie dokręcić wszystkie śruby 2-3 tygodnie po zmontowaniu.

- Podczas montowania Mini lub łóżeczka nie dokręcać wszystkich śrub aż do zakończenia montażu całego przyrządu. Dzięki temu montaż będzie prostszy.
- Upewnij się, czy Mini lub łóżeczko znajduje się na poziomej i stabilnej powierzchni. Po montażu sprawdzić i dokręcić wszystkie mocowania i śruby. Elementy konstrukcji oraz śruby należy sprawdzać regularnie i dokręcać w razie konieczności. Obluzowane połączenia śrub lub elementy mogą spowodować zakleszczenie części ciała

- dziecka lub zaczepienie ubrania (lub łańcuszków, naszyjników, wstążeczek, smoczków itp.), co stwarza ryzyko uduszenia.
- Ze względu na ryzyko pożaru nigdy nie umieszczać produktu Mini lub łóżeczka w pobliżu otwartego ognia lub silnych źródeł ciepła, takich jak piecyki elektryczne, piecyki gazowe itp.
- Nie używać Mini lub łóżeczka, jeżeli jakikolwiek element jest złamany, uszkodzony lub jeśli brakuje jakichkolwiek części. Stosować tylko części zamienne zatwierdzone przez STOKKE.
- Nie używaj żadnych części dodatkowych lub zamiennych nie-

produkowanych przez STOKKE®; może to zagrazić bezpieczeństwu Twojego dziecka.

- Nie pozostawiać w łóżeczku przedmiotów ani nie ustawiać łóżeczka w pobliżu przedmiotów, które dziecko może wykorzystać do wspinania się lub które mogą stanowić zagrożenie uduszeniem, np. sznurków, linek żaluzji/zaślon itp.
- Nie należy wkładać więcej niż jedno materaca do gondoli wózka.

## Prawo skargi i rozszerzona gwarancja

Stosowane na całym świecie, w odniesieniu do łóżeczka, Stokke® Sleepi™, zwanego dalej produktem.

### PRAWO SKARGI

Klient ma prawo wnieść skargę w dowolnym czasie, stosownie do obowiązujących przepisów dotyczących ochrony konsumenta, które mogą się różnić w zależności od kraju.

Ogółem, firma STOKKE AS nie przyznaje żadnych dodatkowych praw ponad te, które zostały ustanowione przepisami obowiązującymi w dowolnym czasie. Niemniej jednak czyni się odwołanie do „Rozszerzonej gwarancji” opisanej poniżej. Prawa Klienta, wynikające z przepisów o ochronie konsumenta, stanowią dodatek do przepisów wynikających z „Rozszerzonej gwarancji” i są od nich niezależne.

### „ROZSZERZONA GWARANCJA” STOKKE™

Firma STOKKE AS, Parkgata 6, N-6003 Ålesund, Norwegia, udziela tzw. rozszerzonej gwarancji klientom, którzy zarejestrują produkt w naszej Bazie Gwarancyjnej. Produkt można zarejestrować na naszej stronie pod adresem: [www.stokkewarranty.com](http://www.stokkewarranty.com). Po zarejestrowaniu produktu, klient otrzyma certyfikat gwarancji pocztą elektroniczną (e-mail) lub jego egzemplarz papierowy pocztą zwykłą.

Rejestracja w Bazie Gwarancji upoważnia właściciela do następującej „Rozszerzonej gwarancji”:

- 7 - letnia gwarancja na dowolne uszkodzenia produkcyjne towaru.

„Rozszerzona gwarancja” jest również stosowana, jeśli otrzymało się produkt w prezencie lub został on zakupiony jako używany. W rezultacie, każdy, kto jest właścicielem produktu w okresie gwarancji i kto przedstawi certyfikat gwarancji, może powoływać się na „Rozszerzoną gwarancję”.

### „Rozszerzona gwarancja” STOKKE™ jest uzależniona od następujących czynników:

- Normalnego zużycia.
- Używania produktu wyłącznie do celów, do jakich jest on przeznaczony.
- Stosowania zwykłej konserwacji produktu, jak opisano to w instrukcji konserwacji/obsługi.
- Powołując się na „Rozszerzoną gwarancję”, należy przedłożyć certyfikat gwarancji, wraz z oryginałem rachunku zakupu z pieczęcią z datą. Dotyczy to również każdego następnego właściciela.
- Zachowania pierwotnego stanu produktu, co niniejszym oznacza, że używano wyłącznie części dostarczanych przez STOKKE® i przeznaczonych do użytku na

produkcje lub wraz z produktem. Jakikolwiek odstępstwa wymagają uprzedniej pisemnej zgody STOKKE®.

- Numeru seryjnego produktu zachowanego w stanie nieuszkodzonym.

### „Rozszerzona gwarancja” STOKKE™ nie obejmuje:

- Problemów wynikłych z normalnych zmian części produktu (np. zmiany koloru, jak również normalnego zużycia).
- Problemów spowodowanych przez niewielkie zmiany w materiałach (np. różnice kolorów między częściami).
- Problemów wynikających ze znacznego wpływu czynników zewnętrznych, jak słońce/swiatło, temperatura, wilgoć, zanieczyszczenie środowiska, etc.
- Szkody wyrządzonej na skutek wypadków/zakłóceń – np. inne przedmioty uderzyły o produkt lub inna osoba przewróciła produkt, zderzając się z nim. To samo ma zastosowanie, jeśli produkt był przeciążony, np. poprzez umieszczenie na nim ciężaru.
- Szkody wyrządzonej na produkcie na skutek wpływu czynników zewnętrznych, np. kiedy produkt był transportowany jako bagaż.
- Szkody pośredniej, np. szkody wyrządzonej innym osobom i/lub innym przedmiotom.
- Jeśli do produktu zamontowano jakikolwiek akcesoria, których dostawcą nie jest firma STOKKE®, „Rozszerzona gwarancja” wygasa.

- „Rozszerzona gwarancja” nie ma zastosowania do jakichkolwiek akcesoriów, które zostały zakupione lub dostarczone wraz z produktem, bądź w późniejszej dacie.

### STOKKE™, na mocy „Rozszerzonej gwarancji”:

- Wymienił lub – jeśli STOKKE™ uzna to za bardziej właściwe – naprawi uszkodzoną część albo produkt w całości (w razie konieczności), pod warunkiem, że produkt zostanie dostarczony do sprzedawcy.
- Pokryje regularne koszty transportu wymienianej części/produktu STOKKE poniesione przez sprzedawcę, od którego zakupiono produkt. Warunki gwarancji nie przewidują pokrycia kosztów podróży zaistniałych po stronie nabywcy.
- Zastrzega sobie prawo do wymiany, w ramach powoływania się na gwarancję, uszkodzonych części na części podobne.
- Zastrzega sobie prawo do dostarczenia produktu zamiennego w przypadku, gdy rzeczony produkt nie jest już produkowany w chwili, gdy klient realizuje gwarancję. Produkt ten będzie odpowiadał poprzeciemu jakości oraz wartości.

### Jak powoływać się na „Rozszerzoną gwarancję”:

Ogólnie wszelkie prośby związane z „Rozszerzoną gwarancją” należy kierować do sprzedawcy, od którego zakupiono produkt. Wniosek trzeba złożyć niezwłocznie po odkryciu uszkodzenia, przedkładając certyfikat gwarancji oraz oryginalny dowód zakupu.

Należy przedstawić dokumentację/dowód potwierdzający uszkodzenie produkcyjne, zazwyczaj dostarczając produkt do sprzedawcy lub oddając towar do kontroli sprzedawcy albo przedstawicielowi handlowemu firmy STOKKE®.

Wada zostanie naprawiona, zgodnie z powyższymi warunkami, jeśli sprzedawca lub przedstawiciel handlowy firmy STOKKE® ustali, że szkoda została spowodowana przez uszkodzenie produkcyjne.

EN 716:2017



# PT IMPORTANTE – GARDE PARA FUTURAS CONSULTAS! LEIA COM ATENÇÃO!

## Parabéns pela aquisição da sua nova Sleepi® Sleepi™!

Podendo ser utilizada desde o nascimento do bebé, a STOKKE® SLEEPi™ acompanha o crescimento da criança.

### Stokke® Sleepi™ Mini

- Assim que o bebé for capaz de se sentar, ajoelhar ou levantar sozinho, o Mini não deverá ser mais utilizado
- Assegure-se de que a distância entre o colchão e a borda superior do berço nunca será menor que 20 cm. Se utilizar o colchão original da STOKKE®, evitará este problema.
- Não deixe outras crianças brincarem perto da Mini sem a supervisão de um adulto.
- Assegure-se de que o berço está travado na posição fixa quando a criança lá estiver sem supervisão.

### Stokke® Sleepi™ Cama

- É possível ajustar a altura do estrado em quatro posições diferentes. Assegure-se de que a distância entre o colchão e a borda superior da cama nunca será menor que

30 cm na posição mais alta e 50 cm na posição mais baixa. Este nível está indicado no pé da cama (Σ). Se utilizar o colchão original da STOKKE, evitará este problema.

- A posição mais baixa do estrado é sempre a mais segura. Assim que a criança for capaz de se sentar ou levantar sozinha, o estrado deverá ser descido.
- Tome cuidado para que remédios, fitas, elásticos, brinquedos ou objectos pequenos como moedas estejam fora do alcance desde qualquer ponto da cama.
- Para evitar ferimentos devido a quedas quando a criança conseguir entrar e sair da cama sozinha, deverá deixar de utilizar a Sleepi® Bed™ como berço. Poderá remover um lado do berço e ajustar a base do berço para a posição mais baixa. Desta forma, a criança conseguirá entrar e sair do berço sozinha. Neste caso, é importante remover as rodas.

### Limpeza e manutenção:

COLCHÃO: Protector de colchão: Lavável a 60°C. Estenda-o enquanto estiver molhado. Não use máquina de secar.

Espuma: Pode ser lavada em água quente até 60°C. Sempre que houver urina no colchão, este deverá ser lavado já que esta cria um meio propício para a produção de fungos.

COMPONENTES DE MADEIRA: Passe um pano húmido e enxugue a água excedente. Não recomendamos o uso de detergentes. A exposição à luz solar poderá modificar as cores.

USO DIÁRIO: Retire sempre o edredão de manhã e deixe a arejar o colchão e edredão.

### Tamanho recomendado do colchão

Este berço foi concebida para ser usado com um colchão de 677 mm de largura, 1210 mm de comprimento e 80 mm de espessura, no caso da Sleepi. No caso da Mini, 573 mm de largura, 733 mm de comprimento e 80 mm de espessura, apresentando a mesma forma do berço/cama. A largura e o comprimento foram especificados para que a distância entre o colchão e as laterais/cabeceiras/pés do berço não excedam 30 mm, minimizando o risco de que alguma parte do corpo da criança fique entalada. A espessura do colchão foi especificada para assegurar que a profundidade da cama será maior que 500 mm com o estrado na posição inferior, minimizando o risco de uma criança escalar ou cair da cama.

### Informações sobre o seu novo colchão

- Os colchões comprimidos readquirem o formato original depois de 72 a 96 horas.

## ! IMPORTANTE!

para ter certeza de que a segurança do berço e da cama não será comprometida. Guarde as instruções para futuras consultas. Guarde a chave Allen para utilizações posteriores. Reaperte todos os parafusos 2 a 3 semanas após a montagem.

- Ao montar o berço ou a cama não aperte os parafusos antes de toda o conjunto estar montado. Desta forma, a montagem será feita da maneira mais simples.
- Assegure-se de que monta o berço ou a cama numa superfície plana e estável. Após a montagem, confira e aperte todas as guarnições e parafusos. As guarnições e os parafusos deverão ser conferidos regularmente e reapertados quando necessário. Peças ou parafusos soltos poderão levar o bebé a prender uma parte do corpo ou a

roupa (por ex. fitas, colares, tiras de chupetas, etc.), que poderão constituir risco de estrangulamento.

- Devido ao perigo de incêndio, nunca posicione o berço ou a cama perto de fogo aberto ou fontes de calor forte como radiadores, aquecedores a gás, etc.
- Não utilize a o berço ou a cama se qualquer peça estiver quebrada, rasgada ou em falta. Use apenas peças sobresselentes aprovadas pela STOKKE®.

- A espuma de poliuretano possui um odor distinto que poderá permanecer por alguns dias após a retirada da embalagem. Se arejar e aspirar o colchão, ajudará a eliminar mais rapidamente o odor.
- A espuma reage à luz ultravioleta do sol e ao oxigénio do ar, podendo ficar amarelada com o passar tempo.
- O colchão está em conformidade com a norma EN 16890:2017.

- Nunca utilize quaisquer acessórios ou peças sobresselentes que não sejam fabricados pela STOKKE® já que isso pode comprometer a segurança da criança.
- Não deixe nada no cama nem a posicione próximo de outro objecto que possa servir como apoio para o pé ou apresentar perigo de sufoco ou estrangulamento, por ex. fios, estores/cortinas, cordas, etc.
- Não usar mais do que um colchão no berço.

## Direito de reclamação e Extensão de Garantia

Aplicável a nível mundial relativamente à cama Stokke® Sleepi™, de ora em diante referidos como o "produto"

### DIREITO DE RECLAMAÇÃO

Os clientes têm o direito de reclamação ao abrigo da legislação de defesa do consumidor em qualquer momento, tendo em conta que a mesma varia de país para país.

Em termos gerais, a STOKKE AS não outorga quaisquer direitos adicionais para além dos estabelecidos na legislação aplicável em qualquer momento, embora remeta para a "Extensão de Garantia" descrita abaixo. Os direitos do cliente ao abrigo da legislação de defesa do consumidor aplicável em qualquer momento são cumulativos com os da "Extensão de Garantia", e não são afectados por esta.

### "EXTENSÃO DE GARANTIA" STOKKE

No entanto, a STOKKE AS, sita em Parkgata 6, N-6003 Ålesund, Noruega, outorga uma "Extensão de Garantia" aos clientes que registem o seu produto na nossa Base de Dados de Garantia, o que pode ser efectuado no nosso sítio na Internet [www.stokkewarranty.com](http://www.stokkewarranty.com). Após o registo, é emitido um certificado de garantia que será enviado ao cliente por correio electrónico ou por correio normal.

O Registo na Base de Dados de Garantia atribui ao proprietário a "Extensão de Garantia" que consta de:

- garantia de 7 anos contra todos os defeitos de fabrico do produto.

A "Extensão de Garantia" aplica-se igualmente caso o produto tenha sido oferecido ou adquirido em segunda mão. Consequentemente, a "Extensão de Garantia" pode ser invocada independentemente de quem seja o dono do produto na altura, dentro do prazo de garantia, mediante a apresentação do certificado de garantia.

### A "Extensão de Garantia" STOKKE está sujeita às seguintes condições:

- Utilização normal.
- O produto só ser utilizado para os fins a que se destina.
- O produto ser sujeito a manutenção normal, conforme descrito no manual de instruções/manutenção.
- Ao ser invocada a "Extensão de Garantia", deve ser apresentado o certificado de garantia, juntamente com o recibo original de compra carimbado e datado. O mesmo se aplica aos proprietários subsequentes.
- O produto deve manter-se no seu estado de origem, ou seja, que as peças usadas sejam unicamente fornecidas pela STOKKE e específicas do produto. Qualquer modificação necessita de uma autorização prévia por escrito da STOKKE.
- O número de série do produto não pode ser retirado ou destruído.

### A "Extensão de Garantia" STOKKE não cobre:

- Problemas causados pela evolução normal das peças do produto (por ex. mudanças de cor, desgaste).
- Problemas causados por pequenas variações nos materiais (por ex. diferenças de cor entre peças).
- Problemas causados por influências extremas de agentes externos como sol/luz, temperatura, humidade, poluição ambiental, etc.
- Danos causados por acidente — por exemplo, outros objectos que chocaram com o produto ou qualquer pessoa ter derrubado o produto ao colidir com o mesmo.
- Danos causados ao produto por acção externa, por exemplo quando o produto é expedido como bagagem.
- Danos consequentes, por exemplo danos causados a pessoas e/ou a quaisquer objectos.
- Se o produto estiver equipado com acessórios que não foram fornecidos pela Stokke, a "Extensão de Garantia" prescreve.
- A "Extensão de Garantia" não se aplica a acessórios adquiridos ou fornecidos com o produto ou em data posterior.

### A STOKKE, ao abrigo da "Extensão de Garantia":

- Compromete-se a substituir ou — caso a STOKKE prefira — reparar a peça defeituosa, ou todo o produto (caso necessário), desde que o produto seja entregue a um revendedor.
- Compromete-se a cobrir os custos normais de transporte de peças de substituição/ produtos desde a STOKKE até ao revendedor em que o produto foi adquirido. Não são cobertas as despesas de viagem do comprador nos termos da garantia.
- Reserva-se o direito de substituir, quando a garantia for invocada, as peças defeituosas por peças aproximadamente com o mesmo design.
- Reserva-se o direito de fornecer um produto de substituição, se o produto em causa já não for fabricado no momento em que a garantia for invocada. Esse produto será de qualidade e valor equivalentes.

### Como invocar a "Extensão de Garantia":

Normalmente, todos os pedidos relacionados com a "Extensão de Garantia" são efectuados junto do revendedor em que o produto foi adquirido. Os pedidos devem ser feitos o mais cedo possível após a detecção do defeito, acompanhados do certificado de garantia e do recibo de compra original.

Devem ser apresentados comprovativos do defeito de fabrico, normalmente trazendo o produto ao revendedor, ou submetendo-o a uma inspecção pelo revendedor ou por um representante de vendas da STOKKE.

O defeito será reparado ao abrigo das disposições acima mencionadas, desde que o revendedor ou o representante de vendas da STOKKE determinem que a avaria foi causada por defeito de fabrico.



EN 716:2017



# RO IMPORTANT - PĂSTRAȚI PENTRU CONSULTARE ULTERIOARĂ! CITIȚI CU ATENȚIE!

## Felicitări pentru achiziționarea noului Stokke® Sleepi™!

Cu Stokke® Sleepi™ aveți un pătuț care poate fi folosit de la naștere și care crește odată cu copilul.

### Stokke® Sleepi™ Mini

- Atunci când un copil este capabil să stea în șezut, în genunchi sau să se ridice singur, pentru el nu mai trebuie folosit pătuțul.
- Asigurați-vă că distanța de la saltea la partea de sus a pătuțului este de cel puțin 20 cm. Nu veți avea nicio problemă folosind salteaua originală STOKKE.
- Nu lăsați niciun alt copil să se joace nesupraveheat în apropierea pătuțului.
- Asigurați-vă că pătuțul este blocat într-o poziție fixă a-tunci când un copil nesupraveheat se află în el.

### Stokke® Sleepi™ Bed

- Înălțimea bazei patului portabil poate fi ajustată la patru valori de bază. Asigurați-vă că distanța de la saltea la partea superioară a patului este de cel puțin 30 cm în poziția superioară și 50 cm în cea inferioară. Acest nivel este marcat la

capătul patului (Σ). Nu veți avea niciun fel de probleme de acest fel utilizând salteaua originală STOKKE.

- Poziția cea mai de jos a bazei patului este întotdeauna cea mai sigură. Imediat ce copilul poate sta așezat sau se poate ridica, baza trebuie coborâtă.
- Asigurați-vă că medicamentele, corzile, elasticele, jucăriile și articolele mici, precum banii nu pot fi luate de către copil din nicio poziție a acestuia în pat.
- Pentru a preveni accidentele cauzate de căzături atunci când copilul dumneavoastră se poate urca și coborî singur din pat, nu ar mai trebui să utilizați Sleepi® Bed™ ca și coșuleț. Puteți îndepărta o parte a coșului și ajusta baza acestuia în cea mai de jos poziție. În acest mod copilul se poate urca și coborî în siguranță singur. Dacă faceți acest lucru este important să îndepărtați roțile.

### Curățare și întreținere

**SALTEAUA:** Husa saltelei: Se poate spăla la 60°C. Întindeți când este udă. Nu folosiți uscătoare centrifugale.

**Spuma:** poate fi tratată termic la 60°C și spălată în apă caldă. Salteaua pe care s-a urinat trebuie neapărat spălată, deoarece urina este un mediu excelent pentru ciuperci.

**Lemn:** Ștergeți cu o cârpă curată și umezită, îndepărtați excesul de apă. Nu recomandăm folosirea detergenților. Culoarele se pot schimba prin expunerea la soare. Folosire normală: Dimineța luați întotdeauna copilul, lăsați copilul și patul să se "răcorească" și să se usuce.

### Dimensiunea recomandată a saltelei

Acest pătuț a fost produs pentru a fi utilizat cu o saltea care măsoară 677 mm în lățime pe 1210 mm în lungime și 80 mm în grosime pentru Sleepi și 573 mm lățime pe 733 mm lungime și 80 mm grosime pentru Mini și are forma pătuțului/mini-pătuțului. Lungimea și lățimea sunt specificate deoarece este important ca spațiul dintre saltea și marginile laterale și capetele pătuțului să nu depășească 30 mm. Aceasta are rolul de a minimiza riscul ca un membru al copilului să fie prins în spațiul liber. Grosimea saltelei a fost specificată pentru a garanta că adâncimea pătuțului este mai mare de 500 mm cu baza saltelei în poziția inferioară pentru a reduce la minim riscul de cățărare a copilului sau de cădere a acestuia în afara pătuțului.

### Informații despre noua dumneavoastră saltea

- Saltelele comprimate își recapătă forma originală după 72-96 de ore.

## ! IMPORTANT!

Citiți aceste instrucțiuni cu mare atenție și urmați-le în detaliu pentru a vă asigura că dispozitivele de siguranță ale pătuțului și patului nu sunt compromise. Păstrați instrucțiunile și cheia fixă pentru folosire ulterioară. Restrângeți toate șuruburile la 2-3 săptămâni după asamblare.

- **Atunci când asamblați pătuțul sau patul nu strângeți complet șuruburile decât după ce ați asamblat totul. Procedând astfel vă asigurați cel mai ușor montaj.**
- **Asigurați-vă că pătuțul sau patul este amplasat pe o suprafață plană și stabilă. După asamblare, verificați și strângeți toate îmbinările și șuruburile. Acestea trebuie verificate regulat și restrânse, dacă este necesar. Șuruburile sau piesele slăbite pot duce la prinderea**

**părților corpului copilului sau a hainelor (corzi, coliere, funde pentru copii, scutece etc.) existând riscul de strangulare.**

- **Nu plasați niciodată pătuțul sau patul în apropierea unui foc deschis sau a unei surse puternice de căldură (sobe electrice, sobe cu gaz etc.) datorită riscului de incendiu.**
- **Nu folosiți pătuțul sau patul cu piese lipsă sau deteriorate și folosiți numai piese de schimb aprobate de STOKKE®.**
- **Nu folosiți niciun fel de accesorii sau piese de schimb care nu sunt**

**produse de STOKKE®; acest lucru poate afecta siguranța copilului dumneavoastră.**

- **Nu lăsați nimic în pătuț și nici nu amplasați pătuțul în apropierea unui alt produs, care poate produce prinderea piciorului sau poate prezenta pericol de sufocare sau strangulare, de exemplu sfori, cordoane ale jaluzelei/ perdelei, etc.**
- **Nu folosiți mai multe saltele în pătuț.**

## Dreptul de formulare a reclamațiilor și garanția extinsă

**Cu aplicare în întreaga lume, pentru: pătuțuri STOKKE® SLEEPI™, denumite în continuare "produsul"**

### DREPTUL DE FORMULARE A RECLAMAȚIILOR

Conform legislației privind protecția consumatorului aplicabilă în orice moment, legislație care poate varia de la o țară la alta, clientul are dreptul de a formula reclamații. În general, compania STOKKE AS nu acordă nici un drept suplimentar față de cele stabilite de legislația aplicabilă în orice moment, deși se face referire la „garanția extinsă” descrisă mai jos. Drepturile clienților, conform legislației privind protecția consumatorului aplicabilă în orice moment vin în completarea drepturilor prevăzute de „garanția extinsă” și nu sunt afectate de aceasta.

### „GARANȚIA EXTINSĂ” STOKKE

STOKKE AS, Parkgata 6, N-6003 Ålesund, Norvegia, acordă însă o „Garanție extinsă” clienților care își înregistrează produsul în baza noastră de date de garanție. Aceasta poate fi realizată prin pagina noastră web [www.stokkewarranty.com](http://www.stokkewarranty.com). După înregistrare, va fi emis un certificat de garanție, care va fi expediat clientului prin poșta electronică (e-mail) sau prin poșta obișnuită.

Înregistrarea în baza de date cu produse aflate în garanție conferă proprietarului dreptul de a beneficia de o „garanție extinsă”, după cum urmează:

- Garanție timp de 7 ani pentru orice defect de fabricație a produsului.

Serviciul de „garanție extinsă” se aplică de asemenea dacă produsul a fost primit cadou sau a fost achiziționat ca produs de ocazie. Prin urmare, „garanția extinsă” poate fi solicitată de proprietarul produsului, în orice moment din perioada de garanție, cu condiția ca certificatul de garanție să fie prezentat de către proprietar.

### „Garanția extinsă” STOKKE depinde de îndeplinirea următoarelor condiții:

- Utilizare normală.
- Produsul a fost utilizat numai în scopul pentru care a fost proiectat.
- Produsul a fost supus operațiilor obișnuite de întreținere, așa cum sunt descrise în secțiunea Întreținere din instrucțiunile de utilizare.
- La solicitarea „garanției extinse”, va trebui să prezentați certificatul de garanție, împreună cu chitanța de achiziție ștampilată în original. Această condiție se aplică tuturor co-proprietarilor sau proprietarilor ulteriori.
- Produsul trebuie să fie prezentat în starea originală, înțelegând prin aceasta faptul că componentele utilizate au fost furnizate în exclusivitate de STOKKE și urmează a fi folosite la sau împreună cu produsul. Orice abateri de la această condiție necesită obținerea acordului prealabil al companiei STOKKE.
- Numărul de serie al produsului nu a fost distrus sau îndepărtat.

### „Garanția extinsă” STOKKE nu acoperă:

- Probleme determinate de evoluția normală a părților componente ale produsului (de exemplu, schimbarea coloritului, uzura).

- Problemele determinate de diferențe minore ale materialelor (de exemplu, diferențele de culoare dintre părțile componente).
- Problemele determinate de influența extremă a factorilor externi, de exemplu soarele/lumina, temperatura, umiditatea, poluarea mediului înconjurător etc.
- Defecțiunile provocate de accidente/ghinioane – de exemplu lovirea produsă de către alte obiecte sau răsturnarea produsului de către alte persoane. Dacă produsul a fost supraîncărcat, de exemplu cu greutatea excesive, se aplică cele prezentate mai sus.
- Daunele indirecte, de exemplu daunele provocate persoanelor și/sau altor obiecte.
- Dacă produsul a fost prevăzut cu accesorii care nu au fost furnizate de compania Stokke, „garanția extinsă” este anulată.
- „Garanția extinsă” nu se aplică accesoriilor care au fost achiziționate sau furnizate împreună cu produsul sau la o dată ulterioară.

### Conform „garanției extinse”, compania STOKKE va:

- Înlocui sau – dacă STOKKE preferă astfel – va repara piesa defectă sau produsul în întregime (în cazul în care este necesar), cu condiția ca produsul să fie livrat unui distribuitor.
- Acoperi costurile corespunzătoare de transport al pieselor de schimb/produselor de la compania STOKKE la distribuitorul de la care a fost achiziționat produsul. Garanția nu acoperă cheltuielile de deplasare ale cumpărătorului.

- Rezerva dreptul de a înlocui, în momentul solicitării garanției, componentele defecte cu componente aproximativ similare.
- Rezerva dreptul de a livra un produs de schimb în cazul în care produsul în cauză nu se mai produce în momentul în care este solicitată garanția. Produsul va trebui să aibă o calitate și o valoare similare.

### Invocarea „garanției extinse”:

În general, toate cererile referitoare la „garanția extinsă” vor fi adresate distribuitorului de la care a fost achiziționat produsul. Cererile trebuie efectuate cât mai repede cu putință după descoperirea defecțiunilor și trebuie însoțite de certificatul de garanție și de chitanța de achiziție în original. Trebuie să prezentați documentația/dovada care să confirme defectul de fabricație, de obicei aducând produsul distribuitorului sau prezentându-l distribuitorului sau unui reprezentant de vânzări STOKKE pentru verificare. Dacă distribuitorul sau reprezentantul de vânzări STOKKE stabilește că defectul este determinat de un defect de fabricație, acesta va fi reparat în conformitate cu dispozițiile prezentate mai sus.

EN 716:2017



# RS VAŽNO – ZADRŽITE ZA BUDUĆE POTREBE! PAŽLJIVO PROČITAJTE!

Čestitamo na Vašem novom Stokke® Sleepi™!

Stokke® Sleepi™ je krevet kojeg možete da koristite od rođenja i rasti će zajedno sa detetom.

## Stokke® Sleepi™ Mini

- Prestanite koristiti kada je dete dovoljno veliko da se uspravi, kleči ili ustane.
- Rastojanje od dušeka do ruba kolevke nikada ne sme da bude manje od 20 cm. Preporučujemo da koristite originalni dušek STOKKE®.
- Nemojte da dozvolite da se druga deca igraju bez kontrole oko kolevke.
- Kolevka mora da bude blokirana kada dete u njoj leži bez kontrole.

## Stokke® Sleepi™ Cama

- Visina podne ploče kreveta može da se podese na jednu od četiri pozicije. Rastojanje od dušeka do ruba kreveta nikada ne sme da bude manje od 30 cm u najvišoj poziciji i 50 cm u najnižoj poziciji. Pozicija je označena na ivici kreveta (↘). Preporučujemo da koristite originalni dušek STOKKE®.
- Najbezbednija je najniža pozicija podne ploče kreveta. Kada je dete dovoljno veliko da može da sedi ili ustane, morate da spustite podnu ploču kreveta.

- Lekove, kanape, gumene trake, male igračke i stvari kao što su novac držite dalje od kreveta.
- Da biste sprečili povrede od padova kada vaše dete bude moglo samo da ulazi u krevet i izlazi iz njega, nemojte više koristiti Sleepi® Bed™ kao krevetac. Razmislite o skidanju jedne strane kreveta i podešavanju osnovne kreveta na najniži položaj. Tako će vaše dete moći samo bezbedno da se penje u krevetac i silazi sa njega. Ako to uradite, važno je da skinete točkice.

## Čišćenje i održavanje:

**DUŠEK:** Pokrov dušeka: Može da se pere na 60 °C. Razvucite dok je mokar. Nemojte da koristite mašinu za sušenje.

**PENA:** Može da se greje na 60 °C i pere/ispere u vreloj vodi. Ukoliko se dete pomokri, dušek uvek treba oprati. Mokrača je dobar medijum za razvoj gljivica.

**DRVENI DELOVI:** Obrišite sa vlažnom krpom i dobro osušite trljanjem. Ne preporučujemo da koristite deterdžente. Boje mogu da izblede ukoliko se izloži suncu. Normalna upotreba: Svako jutro izvadite plahutu i prozračite nju i krevet tako da se ohlade i osuše.

## Preporučena veličina dušeka

Krevet je proizveden za dušek širine 677 mm, dužine 1210 mm i debljine 80 mm za Sleepi i za dušek širine 573 mm, dužine 733 mm i debljine 80 mm za Mini i oblikovan je kao krevet/kolevka. Širina i dužina su navedeni zato što je važno da rasep između dušeka i stranica i krajeva kreveta ne budu veći od 30 mm. Tako se smanjuje opasnost da detetov ud zapne u rasep. Debljina dušeka je navedena kako bi se osiguralo da je dubina kreveta veća od 500 mm kada je podna ploča dušeka u donjoj poziciji, da bi se smanjila opasnost da se dete popne ili padne iz kreveta.

## Informacije o Vašem novom dušku

- Pritisnuti dušeci povratice svoj prvobitni oblik nakon 72-96 sata.
- Poliuretanska pena ima specifičan miris koji može da postoji još nekoliko dana posle raspakovanja. Miris će nestati. Provetranje i usisavanje dušeka pomoći će da se miris ukloni.
- Pena reaguje na ultravioletno sunčevo zračenje i kiseonik iz vazduha i sa vremenom će da požuti.
- Dušek je usaglašen sa standardom EN 16890:2017.

## ! VAŽNO!

Pažljivo pročitajte ovo Uputstvo. Ukoliko ga pažljivo sledite, obezbedićete ćete maksimalnu sigurnost kolevke i kreveta. Zadržite Uputstvo za buduće potrebe. Zadržite imbus ključ za buduće potrebe. Ponovo stegnite sve zavrtnje 2 do 3 sedmice nakon montaže.

- Kada sastavljate kolevku ili krevet, zavrtnje nemojte da stežete dok ne montirate celi krevet. Na taj način ćete si olakšati montažu.
- Krevet ili kolevku stavite na ravnu i čvrstu podlogu. Nakon montaže proverite i stegnite sve fitinge i zavrtnje. Fitinge i zavrtnje treba redovito proveravati i po potrebi dodatno stegnuti. Otpušteni zavrtnji ili delovi mogu da zahvate delove tela ili odeće deteta (npr. kanape, ogrlice, trake na dečjim lutkama itd.), a to može da uzrokuje gušenje.

- Zbog opasnosti od požara, kolevku ili krevet nikada ne stavljajte kraj plamena i drugih izvora toplote, kao šta su električni štednjaci, kuvala na gas itd.
- Kolevku ili krevet nemojte da koristite ukoliko je neki deo oštećen, otkinut ili nedostaje, a koristite samo rezervne delove koje je odobrio STOKKE®.
- Nemojte da koristite pribor i dodatnu opremu koju ne proizvodi STOKKE®, jer to može da smanji bezbednost Vašeg deteta.

- Nemojte da ostavljate ništa na krevetu i nemojte da stavljate krevet kraj drugih proizvoda, jer može da posluži kao stepenica ili da predstavlja opasnost od gušenja ili davljenja, npr. kanap, uzice od zastora/roleta i sl.
- Na krevet stavite samo jedan dušek.

## Pravo na žalbu i produžena garancija

Primenljiviji širom sveta na krevetac STOKKE® SLEEPI™, u daljem tekstu „proizvod“.

### PRAVO NA ŽALBU

Kupacima pravo na žalbu u skladu sa zakonom o zaštiti potrošača, primenljivim u bilo koje dato vreme, s tim da zakon može da se razlikuje od države do države.

Uopšteno govoreći, firma „STOKKE AS“ ne odobrava nikakva dodatna prava ili prava pored onih koja su utvrđena zakonodavstvom, primenljivim u bilo koje dato vreme, mada se upućuje na „produženu garanciju“ opisanu u nastavku. Prava kupca, po zakonu o zaštiti potrošača, primenljivim u bilo koje dato vreme, dodata su onim pravima koja su pokrivena „produženom garancijom“, te se stoga ovo na njih ne odnosi.

### “PRODUŽENA GARANCIJA” FIRME „STOKKE”

Međutim, STOKKE AS, Parkgata 6, N-6003 Ålesund, Norveška, daje „Produženu garanciju“ korisnicima koji registruju svoj proizvod u našoj bazi podataka o garanciji. To možete uraditi preko naše Internet stranice [www.stokkewarranty.com](http://www.stokkewarranty.com). Nakon registracije izdaje se garantni sertifikat i šalje se korisniku elektronskom poštom (putem e-pošte) ili regularnom poštom.

Registracija u bazi podataka o garancijama daje pravo vlasniku na „produženu garanciju“ kao što sledi:

- 7-ogodišnju garanciju na bilo kakve nedostatke nastale tokom proizvodnje proizvoda.

“Produžena garancija” se takođe primenjuje ako je proizvod primljen kao poklon ili je kupljen kao polovan. Samim tim, “produženu garanciju” može iskoristiti bilo koji vlasnik proizvoda u bilo koje dato vreme, unutar perioda pokrivenog garancijom, na osnovu potvrde o garanciji koju vlasnik treba da pokaze.

### “Produžena garancija” firme „STOKKE” uslovljena je sledecim:

- Pravilnom upotrebom.
- Da je proizvod korišćen samo u onu svrhu za koju je namenjen.
- Da je proizvod redovno održavan, kao što je opisano u uputstvu za održavanje/upotrebu.
- Pri pozivanju na “produženu garanciju” treba pokazati potvrdu o garanciji, zajedno sa originalnim računom kupovine, koji nosi datum i pečat. Ovo takođe važi za bilo kog sekundarnog ili narednog vlasnika.
- Da proizvod ostane u svom originalnom stanju, čime se podrazumeva da su korišćeni samo rezervni delovi firme „STOKKE” koji su namenjeni za korišćenje na proizvodu ili uz njega. Svako odstupanje od ovoga zahteva pismenu saglasnost firme „STOKKE”.
- Da serijski broj proizvoda nije uništen ili uklonjen.

### “Produžena garancija” firme „STOKKE” ne pokriva:

- Problemi uzrokovani normalnim promenama na delovima koji čine proizvod (kao npr. promena boje, trošenje i habanje).
- Problemi uzrokovani manjim odstupanjima u materijalima (npr. razlika u boji između delova).
- Problemi uzrokovani ekstremnim uticajima strane spoljnih faktora, kao što su sunce/svetlo, temperatura, vlažnost, zagađenje čovekove okoline, itd.
- Oštećenje prouzrokovano udesima/nezgodama – na primer udaranjem bilo kakvog predmeta u proizvod ili prevrtanjem i udaranjem od strane bilo koje osoba. Isto važi i ako je proizvod bio pretovaren, na primer tako da je na njega postavljen teret.
- Oštećenja na proizvodu nastala usled spoljnih uticaja, na primer ako je proizvod transportovan kao prtljag.
- Posledična oštećenja, na primer štete učinjene drugim osobama i/ili drugim predmetima.
- Ako je proizvod opremljen bilo kojom dodatnom opremom koja nije kupljena od firme „STOKKE”, “produžena garancija” postaje nevažeća.
- “Produžena garancija” se neće primenjivati ni na koju dodatnu opremu koja je kupljena ili dobijena zajedno sa proizvodom, ili nakon toga.

### Firma „STOKKE” će pod “produženom garancijom”:

- Zameniti ili – ako firma “STOKKE” tako odluči – popraviti neispravan deo, ili

proizvod u celosti (ukoliko je potrebno), u slučaju da je proizvod donet u maloprodajni objekat.

- Pokriti redovne transportne troškove za bilo koju zamenu dela/proizvoda, od firme „STOKKE” do maloprodajnog objekta u kojem je proizvod kupljen. – Putni troškovi koje ima kupac nisu pokriveni ovom garancijom.
- Zadržati pravo da zameni, u trenutku pozivanja na garanciju, delove sa nedostacima delovima koji su približno iste konstrukcije.
- Zadržati pravo da ponudi proizvod u zamenu u slučaju da se relevantni proizvod više ne proizvodi u vreme pozivanja na garanciju. Takav proizvod treba da bude odgovarajućeg kvaliteta i odgovarajućeg vrednosti.

### Kako da se pozovete na “produženu garanciju”:

Uopšteno govoreći, svi zahtevi koji se odnose na “produženu garanciju” treba da budu upućeni službeniku maloprodajnog objekta u kojem je proizvod kupljen. Zahtev treba da bude upućen što je pre moguće nakon otkrivanja nedostatka i treba da bude proračun garancijskim listom i originalnim računom kupovine.

Treba pokazati dokumentaciju/dokaze koji potvrđuju nedostatak u proizvodnji, obično tako što ćete proizvod odneti u maloprodajni objekat, ili ga na drugi način pokazati službeniku u maloprodajnom objektu ili predstavniku prodaje firme „STOKKE” radi provere. Nedostatak će biti obeštećen u skladu sa gore navedenim odredbama ako službenik u maloprodajnom objektu ili predstavnik prodaje firme „STOKKE” utvrdi da je šteta uzrokovana greškom u proizvodnji.

EN 716:2017



# RU ЭТО ВАЖНО: ПРОЧИТАТЕ ВНИМАТЕЛЬНО!

Поздравляем Вас с покупкой новой детской кровати Stokke® Sleepi™! Stokke® Sleepi™ – это кровать, которой можно пользоваться со дня рождения ребенка и далее, по мере того, как он будет подрастать.

## Stokke® Sleepi™ Mini

- Когда ребенок может сидеть, становиться на колени или вставать, то ему больше не следует пользоваться кроватью-Мини.
- Позаботьтесь о том, чтобы расстояние от поверхности матраса до верхнего края кровати-Мини никогда не было меньше 20 см. У Вас не возникнет с этим проблем, если Вы будете пользоваться матрасами компании STOKKE®.
- Не оставляйте и играющих детей без присмотра возле кровати-Мини.
- Убедитесь в том, что кровать-Мини удерживается запирающим устройством в фиксированном положении, когда ребенок в ней находится без присмотра.

## Stokke® Sleepi™ Кровать

- Высота основания кровати может устанавливаться на четырех основных уровнях. Убедитесь в том, что расстояние от матраса до верхнего края кровати не менее 30 см в самом высоком положении и 50 см в самом низком положении. Этот уровень отмечен на конце кровати (↘). У Вас

не возникнет с этим проблем, если Вы будете пользоваться матрасами компании STOKKE®.

- Самое низкое положение основания – всегда самое надежное. Как только ребенок научится сидеть или вставать, основание люльки необходимо опустить.
- Позаботьтесь о том, чтобы ни из какой точки в кроватке нельзя было дотянуться до лекарств, шнурков, резинок, маленьких игрушек или мелких предметов, таких, как деньги.
- Когда ваш ребенок научится забираться в кроватку и вылезать из нее самостоятельно, то во избежание травм малыша в результате падения Sleepi® Bed™ больше нельзя использовать в качестве люльки для младенца. Может быть целесообразно снять одну из секций перилец для люльки и установить основание в самое нижнее положение. Таким образом ваш ребенок сможет забираться в кроватку и вылезать из нее самостоятельно. В таком случае обязательно демонтируйте колеса.

## Чистка и уход

МАТРАЦ: Чехол матраса: стирается при температуре 60 градусов. Его следует растянуть, пока он еще влажный. Не сушите его в барабанной сушилке.

ПЕНОМАТЕРИАЛ: можно подвергать тепловой обработке при температуре

60°, стирать, полоскать в горячей воде. Если на матрас попал моча, его следует немедленно выстирать, т.к. моча является прекрасной средой для развития грибка.

ДЕРЕВЯННЫЕ ДЕТАЛИ: Протирайте их чистой влажной тканью и затем вытирайте насухо. Не рекомендуется использовать какие-либо моющие средства. Под воздействием солнца древесина может изменить свою окраску. Обычный режим пользования изделием: Всегда убирайте утром постель, чтобы кровать и перина могли проветриться и просохнуть.

## Рекомендуемый размер матраса

Эта люлька/кровать сделана для использования в ней матраса шириной 677 мм, длиной 1210 мм и толщиной 80 мм для Sleepi (кровати) и шириной 573 мм, длиной 733 мм и толщиной 80 мм для Mini (люльки), и имеющего ту же форму, что и кровать. Ширина и длина специфицированы, т.к. очень важно, чтобы зазор между краем матраса и стенками внутри не превышал 30 мм, во избежание риска защемления конечностей ребенка в зазоре. Толщина матраса названа для того, чтобы обеспечить глубину люльки более 500 мм, когда основание для матраса находится в самом нижнем положении. Это

## ⚠ ВНИМАНИЕ!

Внимательно прочитайте эту инструкцию и тщательно соблюдайте ее предписания с тем, чтобы не нарушить меры безопасности, предусмотренные в конструкции люльки и кровати. Храните инструкцию для получения справок в дальнейшем. Сохраняйте торцовый ключ – он может пригодиться Вам в дальнейшем. Подтяните все винты через 2-3 недели после сборки изделия.

- При сборке кровати или люльки не затягивайте винты до тех пор, пока не собрано все изделие. Соблюдение этой рекомендации поможет Вам осуществить сборку без каких-либо затруднений.
- Позаботьтесь о том, чтобы кровать или люлька стояли на ровной и устойчивой поверхности. После сборки проверьте и затяните все детали крепления и винты. Все детали крепления и винты необходимо регулярно контролировать и, при необходимости, затягивать. Ослабленные винты и крепления или детали могут привести к защемлению какой-либо части

тела или одежды ребенка (например, шнурков, ожерелий, лент для детских сосок и т.д.), что может повлечь за собой риск удушья.

- Никогда не ставьте кровать или люльку возле открытого огня или источника интенсивного тепла, таких, как электрообогреватели, газовые плиты и пр., поскольку это может привести к пожару.
- Кровать или люльку нельзя использовать, если какие-либо их части повреждены или утеряны. Используйте только запасные части, утвержденные STOKKE®.

поможет избежать риска того, что ребенок заберется на край борта или выпадет из люльки.

## Информация о матрасе

- Сжатый матрас восстановит свою нормальную форму через 72-96 часов.
- Полиуретановая пена имеет свой отличительный запах, который может сохраняться несколько дней после распаковки. Проветривание и обработка матраса пылесосом помогут избавиться от запаха.
- Пена реагирует на ультрафиолетовые лучи солнца и на кислород воздуха и поэтому может со временем пожелтеть.
- Матрас соответствует требованиям EN 16890:2017.

- Используйте только аксессуары или запасные части, произведенные фабрикой STOKKE™; в противном случае вы рискуете безопасностью ребенка!
- Не оставляйте посторонних вещей в люльке/кровати и не ставьте их вблизи предметов, которые могут послужить ребенку опорой для ног или привести к удушью, таких, как шнурки, занавеси, шторные шнуры и т.п.
- Не используйте больше одного матраса в люльке Sleepi mini.

## Право предъявить претензию и расширенная гарантия

Применимо в отношении детской кровати STOKKE® SLEEPI™, именуемых в дальнейшем «изделие».

### ПРАВО ПРЕДЪЯВИТЬ ПРЕТЕНЗИЮ

Популятер имеет право предъявить претензию согласно законодательству о защите интересов потребителей, применимому в любой конкретный момент; это законодательство может отличаться в зависимости от страны.

В целом, компания STOKKE AS не предоставляет каких-либо дополнительных прав, кроме тех, которые предусмотрены законодательством, действующим в настоящий момент, хотя ссылается на «расширенную гарантию», описанную ниже. Права клиента согласно законодательству о защите интересов потребителей, действующему в любой конкретный момент, дополняют те, которые предусмотрены «расширенной гарантией», и, следовательно, такая гарантия не влияет на законные права потребителя.

### “РАСШИРЕННАЯ ГАРАНТИЯ” КОМПАНИИ STOKKE®

Компания STOKKE AS, Parkgata 6, N-6003 Ålesund, Норвегия, предоставляет «Расширенную гарантию» покупателям, которые зарегистрировали приобретенные ими изделия в нашей базе данных гарантий. Это можно сделать на нашем веб-сайте [www.stokke.com/garanti](http://www.stokke.com/garanti). По совершении регистрации покупателю будет выслан гарантийный сертификат по электронной или обычной почте.

Регистрация в базе данных гарантий дает владельцу право на следующую «расширенную гарантию»:

- 7-летняя гарантия отсутствия в изделии каких-либо дефектов изготовления.

“Расширенная гарантия” также распространяется на изделие, которое было получено в подарок или куплено бывшим в употреблении. Следовательно, потребовать выполнения условий “расширенной гарантии” может любое лицо, являющееся владельцем изделия в любой конкретный момент в течение срока действия гарантии, при условии предоставления владельцем гарантийного сертификата.

### “Расширенная гарантия” компании STOKKE® предоставляется на следующих условиях:

- Нормальное использование.
- Использование изделия только по назначению.
- Проведение обычного технического обслуживания изделия согласно указаниям в руководстве по техническому обслуживанию / инструкции по эксплуатации.
- При предъявлении требований о выполнении условий “расширенной гарантии” необходимо предоставить гарантийный сертификат вместе с оригиналом товарного чека с указанием даты. Это требование также распространяется на второго или любого последующего владельца.

- Изделие имеет первоначальное состояние, а все использованные в нем детали были поставлены компанией STOKKE® и предназначены для использования в или изделием. Любые отклонения от выполнения данного требования требуют получения предварительного письменного согласия компании STOKKE®.
- Серийный номер изделия не был уничтожен или удален.

### “Расширенная гарантия” компании STOKKE® не покрывает следующие:

- Проблемы, связанные с естественными изменениями деталей, из которых состоит изделие (например, изменение цвета, а также естественный износ).
- Проблемы, связанные с незначительными отличиями материалов (например, отличие цвета различных частей).
- Проблемы, связанные с экстремальным воздействием внешних факторов, таких как солнечные лучи или искусственное освещение, температура, влажность, загрязненная окружающая среда и т.п.
- Повреждение в результате аварий/неудачных маневров, например, столкновение каких-либо предметов с изделием или переворот изделия в результате столкновения с ним человека. Это также распространяется на изделие, пострадавшее в результате перегрузки, например, при помещении на него большого веса.
- Повреждение изделия в результате внешнего воздействия, например, при перевозке изделия в багаже.

- Косвенный ущерб, например, ущерб, нанесенный любому лицу и / или любым другим предметам.
- Если на изделие были установлены какие-либо принадлежности, поставленные не компанией STOKKE®, «расширенная гарантия» теряет силу.
- “Расширенная гарантия” не распространяется на любые принадлежности, которые были приобретены или поставлены вместе с изделием или позднее.

### В рамках “расширенной гарантии” компания STOKKE® выполнит следующие действия:

- Заменит или, на усмотрение компании STOKKE®, отремонтирует бракованную деталь или изделие целиком (если это необходимо) при условии, что изделие было доставлено продавцу.
- Покроет обычные расходы на транспортировку любой запасной части / изделия из компании STOKKE® продавцу, у которого было приобретено изделие. – Данная гарантия не покрывает никакие транспортные расходы покупателя.
- Компания оставляет за собой право заменить (в момент получения требования о выполнении условий гарантии) бракованные детали деталями аналогичной конструкции и дизайна.
- Компания оставляет за собой право заменить изделие другим в случае, если на момент получения требования о выполнении условий гарантии, такое изделие

снято с производства. Такое изделие-заменитель должно быть соответствующего качества и стоимости.

### Как предъявить требование о выполнении условий “расширенной гарантии”:

В целом все требования, имеющие отношение к “расширенной гарантии”, должны предъявляться к продавцу, у которого было приобретено изделие. Такое требование должно предъявляться сразу же после обнаружения какого-либо дефекта и должно сопровождаться гарантийным сертификатом и оригиналом товарного чека.

Документы/доказательства, подтверждающие дефект изготовления, должны быть предоставлены обычно путем передачи изделия продавцу или другим способом, при котором продавец или торговый представитель компании STOKKE® имеют возможность осмотреть изделие.

Дефект будет устранен в соответствии с вышеуказанными условиями, в случае если продавец или торговый представитель компании STOKKE® определят, что повреждение (ущерб) является результатом дефекта изготовления.

EN 716:2017



# SE VIKTIGT – SPARA FÖR FRAMTIDA BRUK. LÄS IGENOM NOGA

## Gratulerar till din nya STOKKE® SLEEPI™!

Stokke® Sleepi™ är en säng som ditt barn kan använda redan från födelsen och som växer med barnet.

### Stokke® Sleepi™ Mini

- När barnet kan sätta sig upp, stå på knä eller häva sig upp ska minisängens inte längre användas för barnet.
- Kontrollera att avståndet från madrassen till minisängens kant aldrig är mindre än 20 cm. Detta är inget problem om du använder en originalmadrass från STOKKE®.
- Låt inte andra barn leka i närheten av minisängens utan tillsyn.
- Kontrollera att minisängens samtliga hjul är spärrade (bromsarna tillslagna) när barnet ligger i den utan tillsyn.

### Stokke® Sleepi™ Bed

- Sängbotten kan ställas in i fyra olika höjdlägen. Kontrollera att avståndet från madrassen till sängkanten aldrig är mindre än 30 cm i högsta läge och 50 cm i lägsta läge. Detta är markerat med en nivåmarkering i sängändan (↖). Detta är inget problem om du använder en originalmadrass från STOKKE®.

- Det är alltid säkrast att ha sängbotten i så lågt läge som möjligt i spjålsängen. Så snart barnet kan sitta upp eller resa sig upp i spjålsängen ska sängbotten sänkas.
- Tänk på att placera mediciner, snören, elastiska band, små leksaker och små föremål som mynt och liknande utanför barnets räckvidd var det än befinner sig i sängen.
- För att förhindra fallskador när ditt barn kan klättra ut ur och in i sängen på egen hand, ska du inte längre använda Sleepi® Bed™ som en spjålsäng. Överväg att ta bort en sida på spjålsängen och sänka botten till lägsta position. På så vis kan ditt barn säkert klättra ut ur och in i spjålsängen på egen hand. Om du gör detta är det viktigt att ta bort hjulen.

### Rengöring och underhåll:

MADRASSEN: Madrassöverdrag: Kan tvättas i 60 grader. Sträck i fuktigt skick. Använd inte torktumlare.

Fyllning: Tål värmebehandling upp till 60 grader och kan tvättas/sköljas i varmt vatten. Efter en olycka med sängvätning bör madrassen alltid tvättas – urin är ett utmärkt tillväxtmedium för mögelsvamp.

TRÅDETALJER: Kan tvättas av med en fuktig trasa. Torka bort överflödigt vatten.

Vi rekommenderar inte användning av rengöringsmedel. Färgen kan ändras om den utsätts för solljus.

DAGLIG ANVÄNDNING: Ta av täcket varje morgon och låt sängen och täcket vädra, "kylas av" och torka.

### Rekommenderad madrassstorlek

Denna säng har tillverkats för användning med en madrass som är 677 mm bred, 1 210 mm lång samt 80 mm tjock för Sleepi och 573 mm bred, 733 mm lång och 80 mm tjock för Mini. Madrassen har formen av en spjålsäng/minisäng. Bredden och längden anges eftersom det är viktigt att gliporna mellan madrassen och sidorna inte överstiger 30 mm. Detta villkor måste uppfyllas för att minimera risken för att barnets ben eller armar fastnar i glipan. Madrassjockleken anges för att säkerställa att spjålsängen blir mer än 500 mm djup när madrassbasen befinner sig i det lägsta läget så att risken för att barnet klättrar över kanten på eller ramlar ut ur sängen minimeras.

### Information om din nya madrass

- Komprimerade madrasser återfår sin ursprungliga form inom 72–96 timmar.

## ! VIKTIGT!

Läs bruksanvisningen noga och följ alla säkerhetsanvisningar exakt så att minisängens/spjålsängens säkerhetsfunktioner garanteras. Spara bruksanvisningen för framtida bruk. Spara insexnyckeln för framtida bruk. Efterdra alla skruvar efter 2–3 veckors användning.

- Vid montering av minisängen/spjålsängen ska du inte dra åt skruvarna helt innan alla delar sitter på plats. Då blir sängen enklast att montera.
- Tänk på att placera minisängen/spjålsängen på ett plant och stabilt underlag. Kontrollera och fäst alla beslag och skruvar ordentligt efter montering. Alla beslag och skruvar ska kontrolleras regelbundet och efterdras vid behov. Lösa skruvförband eller delar kan medföra att barnet klämmer sig, eller att

- kläder (t.ex. snören, Halsband, band till nappar och liknande) kan fastna och medföra risk för kvävning.
- Ställ aldrig minisängen/spjålsängen i närheten av öppen eld eller andra starka värmekällor som elektriska värmeelement, gaskaminer eller liknande på grund av brandfaran.
- Använd inte minisängen/spjålsängen om någon del är trasig, skadad eller saknas. Använd endast reservdelar som godkänts av STOKKE®.

- Använd inte några tillbehör eller delar som inte har tillverkats av STOKKE®, det kan påverka barnets säkerhet.
- Lämna inte några föremål spjålsängen och placera inte spjålsängen i närheten av någon annan produkt som kan bilda ett fotfäste eller utgöra en fara för kvävning eller strypning, t.ex. snören, persiennsnören/gardinsnören och liknande.
- Använd inte mer än en madrass i sängen.

## Reklamationsrätt och förlängd garanti

Gäller över hela världen med avseende på sängen Stokke® Sleepi™, hädanefter kallad produkten.

### REKLAMATIONSRRÄTT

Kunden har reklamationsrätt enligt konsumentskyddslagstiftningen som gäller vid var tid. Lagstiftningen kan dock skilja sig åt från land till land.

I allmänhet beviljar STOKKE AS inte några extra rättigheter utöver de som fastställs genom lagstiftningen som gäller vid var tid, även om "förlängd garanti" omnämns i detta dokument, såsom beskrivs nedan. Kundens rättigheter under konsumentskyddslagstiftningen som gäller vid var tid gäller utöver de rättigheter som beskrivs under "förlängd garanti", och påverkas inte därigenom.

### STOKKE® "FÖRLÄNGD GARANTI"

STOKKE AS, Parkgata 6, N-6003 Ålesund, Norge, beviljar emellertid en "Förlängd garanti" till kunder som registrerar sin produkt i vår garantidatabas. Detta kan göras via vår webbplats [www.stokke.warranty.com](http://www.stokke.warranty.com). Vid registreringen kommer ett garanti-certifikat att utfärdas och skickas till kunden elektroniskt (e-post) eller med vanlig post.

Registrering i garantidatabasen ger innehavaren rätt till en "förlängd garanti" enligt följande:

- 7-årig garanti mot eventuella fabriktionsfel på produkten.

"Förlängd garanti" gäller också om produkten har erhållits som gåva eller köpts i andra hand. "Förlängd garanti" kan återopas av innehavaren av produkten vid var tid, inom garantiperioden, under förutsättning att innehavaren kan visa upp garantibeviset.

### STOKKE® "förlängd garanti" gäller under följande förutsättningar:

- Normal användning.
- Produkten har endast använts för avsett ändamål.
- Produkten har genomgått normalt underhåll, såsom beskrivs i underhålls-/instruktionshandboken.
- Om "förlängd garanti" återopas ska garantibeviset visas upp tillsammans med det ursprungliga datumstämplade inköpskvittot. Detta gäller också andrahandsinnehavare eller personer som tagit över produkten.
- Produkten ska kunna uppvisas i ursprungligt skick och de delar som har använts ska vara levererade av STOKKE® och avsedda för användning som en del av eller tillsammans med produkten. Eventuella avvikelser erfordrar ett föregående skriftligt samtycke från STOKKE®.
- Produktens serienummer får inte vara förstört eller ha avlägsnats.

### STOKKE® "förlängd garanti" täcker inte följande:

- Problem som har orsakats av normala förändringar på produktdelarna (t.ex. färgförändringar och slitage).
- Problem som har orsakats av mindre materialavvikelser (t.ex. färgavvikelser mellan delar).

- Problem som har orsakats av extrem påverkan från yttre faktorer, såsom sol/ljus, temperatur, fuktighet, miljöförurening osv.
- Skada som har orsakats av olyckor/olyckshändelser – t.ex. andra föremål som stött emot produkten eller personer som valt produkten genom att krocka med den. Detsamma gäller om produkten har utsatts för överbelastning, t.ex. i fråga om vikten som har placerats på den.
- Skada som produkten har utsatts för genom yttre påverkan, t.ex. när produkten transporteras som bagage.
- Följdskada, t.ex. skada som personer och/eller andra föremål har utsatts för.
- Om tillbehör som inte har levererats av STOKKE® har använts på eller tillsammans med produkten gäller inte "förlängd garanti".
- "Förlängd garanti" gäller inte för tillbehör som har köpts eller levererats tillsammans med produkten, eller vid en senare tidpunkt.

### Under "förlängd garanti" kommer STOKKE® att:

- Ersätta eller – om STOKKE® så föredrar – reparera den defekta delen, eller produkten i sin helhet (om nödvändigt), förutsatt att produkten levereras till en återförsäljare.
- Täcka normala transportkostnader för ersättningsdelar/-produkter från STOKKE® till återförsäljaren där produkten köptes. Köparens reskostnader täcks inte under garantivillkoren.
- Förbehålla sig rätten att under garantiperioden ersätta defekta delar med delar som är av liknande design.
- Förbehålla sig rätten att leverera en ersättningsprodukt i de fall där produkten i

fråga inte längre tillverkas då garantin återopas. En sådan produkt kommer att vara av motsvarande kvalitet och ha samma värde.

### Återopande av "förlängd garanti"

I allmänhet kommer alla förfrågningar som avser "förlängd garanti" att hänvisas till återförsäljaren där produkten köptes. Sådana förfrågningar ska göras så fort som möjligt när någon defekt har upptäckts. Garantibeviset och det ursprungliga inköpskvittot ska uppvisas vid samma tillfälle.

Dokumentation/bevis som bekräftar fabriktionsfelet ska uppvisas, normalt genom att produkten tas med till återförsäljaren, eller att produkten visas upp för återförsäljaren eller en försäljningsrepresentant för STOKKE® för inspektion.

Felet kommer att åtgärdas enligt ovan nämnda bestämmelser om återförsäljaren eller en försäljningsrepresentant för STOKKE® beslutar att skadan har orsakats av ett fabriktionsfel.

EN 716:2017





# SI POMEMBNO – SHRANITE NAVODILA, MORDA JIH BOSTE ŠE KDAJ POTREBOVALI. POZORNO PREBERITE!

Čestitamo vam za nakup postelje Stokke® Sleepi™!

Posteljo Stokke® Sleepi™ lahko uporabljate od rojstva vašega otroka naprej, ker se prilagaja otrokovi rasti.

## Stokke® Sleepi™ Mini

- Kadar otrok samostojno sedi, kleči ali se dvigne, mini posteljica zanj ni več primerna.
- Prepričajte se, da je razdalja od blazine do vrha mini posteljice najmanj 20 cm. Če uporabljate blazino znamke STOKKE, s tem ne boste imeli težav.
- Ne dovolite otrokom, da se igrajo brez nadzora v bližini mini posteljice.
- Prepričajte se, da je posteljica dobro nameščena, kadar pustite otroka v njej brez nadzora

## Stokke® Sleepi™ Bed

- Postelja je nastavljiva na štiri višine. Prepričajte se, da je razdalja med blazino in vrhom postelje najmanj 30 cm, kadar je postelja nastavljena na največjo višino, in najmanj 50 cm, kadar je nastavljena na najmanjšo višino. Višine so označene na koncu postelje (↖). Če uporabljate blazino znamke STOKKE, ne boste imeli težav.

- Najbolj varno je, kadar je postelja nastavljena na najmanjšo višino. Takoj ko se otrok lahko dvigne v sedeči položaj ali vstane, je treba, je treba posteljo znižati.
- Bodite previdni, da ne pustite na otrokovem dosegu v posteljici medicinskih pripomočkov, vrvic, elastik, majhnih igrač ali drugih majhnih predmetov, kot je denar.
- Da preprečite poškodbe otroka zaradi padca, ko lahko otrok že sam spleza v posteljico in iz nje, ne uporabljate posteljice Sleepi® Bed™ kot košare za spanje. Lahko odstranite eno stran otroške posteljice in prestavite posteljno dno v najnižji položaj. Tako lahko otrok sam varno spleza v posteljico in iz nje. Če boste to naredili, prej odstranite kolesa.

## Čiščenje in vzdrževanje

BLAZINA: prevleka za blazino:pralna pri 60°C. Ne uporabljajte sušilnega stroja.

Pena: Lahko se toplotno obdela pri 60°C in opere/splakne v vroči vodi. Če se otrok polula na blazino, jo morate oprati; sicer lahko začne nastajati plesen.

Les: Obrišite s čisto vlažno krpo; odstranite odvečno vodo. Uporaba detergentov ni priporočena. Če je les izpostavljen soncu, lahko spremeni barvo.

NORMALNA UPORABA: Zjutraj odstranite posteljnino in pustite, da se postelja prezračí in osuši.

## Priporočena velikost blazine

Posteljica je primerna za uporabo z blazinami, širine 677 mm, dolžine 1210 mm in debeline 80 mm za Sleepi in širine 573 mm, dolžine 733 mm in debeline 80 mm za Mini. Blazine morajo biti v obliki posteljice/mini posteljice. Širina in dolžina sta določeni, ker je pomembno, da vrzel med blazino in stranicama oz. vzglavjem in vnožjem posteljice ne presega 30 mm. To namreč preprečuje, da bi se otrokove roke ali noge ujele v vrzeli. Debelina blazine je določena, ker mora biti globina posteljice vsaj 500 mm, ko je ta v najnižjem položaju, da otrok ne bi splezal iz ali padel s posteljice.

## Informacije o vaši novi blazini

- Stisnjene blazine se povrnejo v prvotno obliko po 72-96 urah.
- Poliuretanska pena ima značilen vonj, ki ga je možno čutiti še nekaj dni po tem, ko blazino vzamete iz embalaže. Vonj nato sčasoma izgine. Če boste blazino prezračili in posesali, bo vonj izginil hitreje.
- Pena reagira na ultravijolično svetlobo sonca in kisik v zraku in bo sčasoma porumenela.
- Posteljni vložek je skladen s standardom EN 16890:2017.

## ! POMEMBNO!

Pozorno preberite navodila in jih dosledno upoštevajte, da zagotovite varno uporabo mini posteljice in postelje. Shranite navodila, saj jih boste morda še kdaj potrebovali. Inbus ključ shranite za kasnejšo uporabo. 2-3 tedne po postavitvi postelje še enkrat pričrveste vse vijake.

- Kadar sestavljate mini posteljico ali posteljo, ne privijte do konca vseh vijakov, dokler ni postelja v celoti sestavljena. Na tak način jo boste lažje sestavili.
- Prepričajte se, da sta mini posteljica ali postelja postavljeni na ravno in stabilno površino. Ko posteljo sestavite, preglejte in pritrдите vse pritrtilne elemente in vijake. Te morate tudi kasneje redno preverjati in po potrebi pričrvesti. Če vijaki ali drugi deli niso dovolj pritrjeni, se del otrokovega telesa ali kos oblačila

(npr. trakovi, verižice, vrvice igrač itd.) ujame vanje, kar lahko privede do zadušitve.

- Mini posteljice ali postelje nikoli ne postavljajte v bližino ognja ali virov velike vročine, kot sta na primer električni ali plinski grelnik itd., saj lahko pride do požara.
- Ne uporabljajte mini posteljice ali postelje, če je kakršenkoli del poškodovan, raztrgan ali manjka, in uporabljajte le nadomestne dele, ki jih je odobril STOKKE®.

- Ne uporabljajte nobenih dodatkov ali nadomestnih delov, ki niso proizvod STOKKE®, to lahko namreč ogroža otrokovo varnost.
- V posteljici ne puščajte ničesar in v njeno bližino ne postavljajte drugih izdelkov, ki bi jih lahko otrok uporabil kot podstavek oz. ki bi lahko privedli do zadušitve otroka, kot so npr. trakovi, vrvice zaves in žaluzij ipd.
- Na postelji ne uporabite več kot eno blazino.

## Pravica do pritožbe in podaljšana garancija

Veljavna po vsem svetu za posteljo Stokke® Sleepi™, v nadaljevanju »izdelek«.

### PRAVICA DO PRITOŽBE

V skladu z veljavno zakonodajo za varstvo potrošnikov, ki se lahko med državami razlikuje, ima kupec pravico do pritožbe.

V splošnem podjetje STOKKE AS ne podeljuje dodatnih pravic, ki bi presegle pravice, določene v veljavni zakonodaji, čeprav je omenjena »podaljšana garancija«, ki je opisana spodaj. Pravice kupca po veljavni zakonodaji za varstvo potrošnikov se priznajo dodatno k pravicam iz »podaljšane garancije«, ki nanje ne vpliva.

### »PODALJŠANA GARANCIJA« PODJETJA STOKKE®

Podjetje STOKKE AS, Parkgata 6, N-6003 Ålesund, Norveška, vsem kupcem, ki svoj izdelek registrirajo v naši podatkovni zbirki garancij, podeljuje »podaljšano garancijo«. Registracijo lahko opravite na spletni strani [www.stokkewarranty.com](http://www.stokkewarranty.com). Po opravljeni registraciji vam bomo izdali garancijski list in vam ga poslali po elektronski ali navadni pošti.

Registracija v garancijski bazi podatkov lastniku podeljuje pravico do »podaljšane garancije«, kot je navedena v nadaljevanju:

- 7-letna garancija za katero koli proizvodno napako na izdelku.

»Podaljšana garancija« je veljavna tudi, če ste izdelek prejeli kot darilo ali ste ga kupili rabljenega. Zato lahko »podaljšano garancijo« v garancijskem roku in ob predložitvi garancijskega lista uveljavljate vsaki, ki je lastnik izdelka.

### Pogoji za »podaljšano garancijo« podjetja Stokke®:

- Normalna uporaba.
- Uporaba izdelka zgolj za predviden namen uporabe.
- Običajno vzdrževanje izdelka, kot je opisano v navodilih za uporabo in vzdrževanje.
- Ob uveljavljanju »podaljšane garancije« je treba predložiti garancijski list skupaj z originalnim računom, na katerem je odtisnjen datum nakupa. To velja tudi za drugega in vse nadaljnje lastnike.
- Videz izdelka je enak prvotnemu, vse uporabljene dele pa je dobavilo podjetje STOKKE® in so namenjeni uporabi na tem izdelku ali z njim. Vsako odstopanje od tega pogoja zahteva predhodno pisno dovoljenje podjetja STOKKE®.
- Serijska številka izdelka ni poškodovana ali odstranjena.

### »Podaljšana garancija« podjetja STOKKE® ne krije:

- Težav, ki jih povzročata običajna uporaba sestavnih delov izdelka (npr. sprememba barve ter fizična obraba).
- Težav, ki jih povzročajo manjše variacije v materialih (npr. razlike v barvi med deli).

- Težav, ki jih povzročajo močni vplivi zunanjih dejavnikov, kot je sonce/svetloba, temperatura, vlažnost, onesnaženost okolja itd.
- Škode, nastale zaradi nezgod/nesreč – na primer, če kateri koli drugi predmeti zadenejo ob izdelek ali se izdelek pri trku prevrne. Enako velja v primeru preobremenitve izdelka, če je izdelek pretirano obtežen.
- Škode, ki jo povzročijo zunanji dejavniki, na primer pri prevozu izdelka kot prtljage.
- Posledične škode, na primer tiste, ki jo utrpijo osebe in/ali drugi predmeti.
- Če so bili na izdelek nameščeni dodatki, ki jih ni dobavilo podjetje STOKKE®, »podaljšana garancija« preneha veljati.
- »Podaljšana garancija« ne velja za dodatke, ki so bili kupljeni ali dobavljeni skupaj z izdelkom ali kasneje.

### V skladu s »podaljšano garancijo«:

- Bo podjetje STOKKE® zamenjalo ali – če se tako odloči – popravilo okvarjeni del ali ves izdelek (če je to potrebno), pod pogojem, da je izdelek predan prodajalcu.
- Bo podjetje STOKKE® krilo normalne stroške prevoza za vsak nadomestni del/izdelek od podjetja do prodajalca, pri katerem je bil izdelek kupljen. - Pod pogoji garancije niso zajeti stroški prevoza, ki jih je imel kupec.
- Si podjetje STOKKE® pridržuje pravico, da ob uveljavitvi garancije okvarjene dele nadomesti z deli, ki imajo približno enak dizajn.
- Si podjetje STOKKE® pridržuje pravico, da v primeru, ko ob uveljavitvi garancije ta

izdelek ni več v izdelavi, dobavi nadomestni izdelek. Takšen izdelek mora biti po kakovosti in vrednosti enakovreden prvotnemu.

### Kako uveljaviti »podaljšano garancijo«:

- Na splošno se vsi zahtevki na podlagi »podaljšane garancije« predložijo prodajalcu, pri katerem je bil izdelek kupljen. Takšen zahtevek predložite takoj, ko ste odkrili napako, in priložite garancijski list ter originalni račun.
- Prodajalcu ali prodajnemu zastopniku podjetja STOKKE® je treba predložiti v pregled dokumentacijo/dokaz, ki potrjuje proizvodno napako. Običajno to storite tako, da prinesete okvarjeni izdelek k prodajalcu.
- Če prodajalec ali prodajni zastopnik podjetja STOKKE® ugotovi, da je škoda povzročila proizvodna napaka, bo ta odpravljena v skladu z zgornjimi določbami.

EN 716:2017



# SK DÔLEŽITÉ - TIETO POKYNY SI ODLOŽTE PRE PRÍPAD BUDÚCEJ POTREBY. POZORNE SI ICH PREČÍTAJTE!

## Blahoželáme vám k nákupu novej postieľky Stokke® Sleepi™!

Detská postieľka Stokke® Sleepi™ je postieľkou, ktorú možno používať od od narodenia dieťaťa a ktorá spolu s ním rastie.

### Stokke® Sleepi™ Mini

- Dieťa by viac nemalo používať malú posteľ, pokiaľ už samo dokáže sedieť, batoliť sa alebo sa postaviť.
- Dbajte, aby vzdialenosť medzi matracom a hornou časťou mini postieľky nebola nikdy menšia než 20 cm. Ak budete používať pôvodný matrac od spoločnosti STOKKE®, nevyskytnú sa žiadne problémy.
- V blízkosti mini postieľky nikdy nenechávajte ďalšie deti bez dohľadu.
- Keď sa dieťa nachádza v mini postieľke bez dohľadu, dbajte, aby bola mini postieľka v zaistenej polohe

### Stokke® Sleepi™ Bed

- Výška podstavca postieľky sa dá upraviť na štyri základné úrovne. Dbajte, aby vzdialenosť medzi matracom a hornou časťou postieľky nebola nikdy menšia než 30 cm (v najvyššej polohe) a 50 cm (v najnižšej polohe). Táto úroveň je

vyznačená na konci postieľky ( ). Ak použijete originálny matrac STOKKE®, tieto problémy sa nevyskytnú.

- Najnižšia poloha podstavca postieľky je vždy najbezpečnejšia. Ihneď ako dieťa dokáže sedieť alebo sa postaviť, podstavec postieľky treba nastaviť nižšie.
- Lieky, šnúry, pružné gumy a malé hračky alebo malé položky (napr. mince) uchovávať mimo dosahu dieťaťa ležiaceho v postieľke
- Kvôli zabráneniu poraneniám vplyvom pádu, keď vaše dieťa samo dokáže vyliezť do postieľky a vyliezť z nej, Sleepi® Bed™ nepoužívajte ďalej ako detskú postieľku. Môžete zvážiť odstránenie jednej strany detskej postieľky a nastaviť dno postieľky na najnižšiu polohu. Týmto spôsobom môže vaše dieťa samo bezpečne vyliezť do detskej postieľky a vyliezť z nej. Ak toto robíte, je dôležité odstrániť kolesá.

### Čistenie a údržba:

MATRAC: Poťah matracu: poťah matracu možno prať pri teplote 60 °C. Mokry poťah matracu rozotrite. Nepoužívajte bubnovú sušičku.

Penová časť: Možno ju ošetrovať pri teplote 60 °C a prať/prepláchnuť v horúcej vode. Ak sa dieťa pomoci, matrac treba vždy vyprať; moc spôsobuje tvorbu plesní.

Drevo: Utrite čistou navlhčenou handrou a zotrite zvyšnú vodu. Neodporúčame

používať žiadne čistiace prostriedky. Pôsobenie slnečného žiarenia môže spôsobiť zmenu farby dreva.

Normálne použitie: Z postieľky vždy ráno vyberte plachtu (prestieradlo), nechajte postieľku a plachtu vyvetrať a vysušiť.

### Odporúčaná veľkosť matracu

Táto postieľka bola vyrobená pre matrac so šírkou 677 mm, dĺžkou 1 210 mm a hrúbkou 80 mm (platí pre Sleepi) a šírkou 573 mm, dĺžkou 733 mm a hrúbkou 80 (platí pre Matrace majú tvar postieľky/mini postieľky. Šírka a dĺžka je pevne stanovená, pretože je dôležité, aby medzery medzi bokmi a koncami postieľky nepresahovali 30 mm. Cieľom je minimalizovať riziko zachytenia končatiny dieťaťa do tejto medzery. Hrúbka matracu je tiež stanovená. Cieľom je zabezpečiť, aby bola postieľka hlbšia ako 500 mm (za predpokladu, že je základňa matracu v najnižšej polohe). Takto sa dieťaťu zabráni vyliezť na postieľku, prípadne z nej vypadnúť.

### Informácie o novom matraci

- Stlačené matrace znova nadobudnú svoj pôvodný tvar o 72 až 96 hodín.
- Polyuretánová pena má zvláštny pach, ktorý môže pretrvávajúť niekoľko dní po

## ! UPOZORNENIE!

Tieto pokyny si starostlivo prečítajte a riadte sa nimi. Len tak zaistíte funkčnosť všetkých bezpečnostných prvkov postieľky. Pokyny si uschovejte pre prípad budúcej potreby. Kľúč s hlavou na vnútorný šesťhran si odložte pre prípad budúcej potreby. Približne 2-3 týždne po montáži znova dotiahnite všetky skrutky.

- **Nedoťahujte skrutky v priebehu montáže; dotiahnite ich až vtedy, keď bude mini postieľka alebo detská postieľka úplne zložená. Takto sa zabezpečí najjednoduchšia montáž.**
- **Mini postieľku alebo detskú postieľku umiestnite na rovný a stabilný povrch. Po dokončení montáže skontrolujte a dotiahnite všetky spojky a skrutky. Spojky a skrutky treba pravidelne kontrolovať a podľa potreby dotiahnuť. O uvoľnené skrutky alebo časti sa môže dieťa zachytiť časťou tela alebo odevu (retiazky,**

náhrdelníky, šnúrka z detského cumlíka a pod.), čo by mohlo viesť k uduseniu dieťaťa.

- **Neumiestňujte mini postieľku alebo detskú postieľku do blízkosti otvoreného plameňa alebo iných zdrojov vysokého tepla, akými sú napríklad elektrické plamene, plynové plamene a pod., pretože v opačnom prípade hrozí riziko požiaru.**
- **Ak sú časti mini postieľky alebo detskej postieľky pokazené, roztrhnuté alebo chýbajú, postieľku nepoužívajte, a používajte výlučne náhradné diely schválené spoločnosťou STOKKE.**

vybalení matracu. Pach sa potom stratí. Vetranie a vysávanie matracu pomôže tento pach eliminovať.

- Pena reaguje na ultrafialové slnečné svetlo a kyslík zo vzduchu a časom zožltne.
- Matrac je v súlade s EN 16890:2017.

- **Nepoužívajte žiadne príslušenstvo ani náhradné diely, ktoré nevyrobila spoločnosť STOKKE®, môžu totiž ohroziť bezpečnosť dieťaťa.**
- **V detskej postieľke nenechávajte žiadne veci ani detskú postieľku neumiestňujte do blízkosti iného predmetu, ktorý by dieťa mohlo použiť ako stupienok, alebo ktorý by mohol vytvárať nebezpečenstvo zadusenía (napr. retiazky, šnúry od závesov alebo záclon a pod.).**
- **V detskej postieľke používajte iba jeden matrac.**

## Právo na reklamáciu a predĺžená záruka

Celosvetovo použiteľná posteľ / stôl na prebalovanie dieťaťa Stokke® Sleepi™, ďalej nazývaný len ako výrobok.

### PRÁVO NA REKLAMÁCIU

Zákazník má právo na reklamáciu v zmysle platnej legislatívy týkajúcej sa ochrany zákazníka, pričom táto legislatíva sa môže v jednotlivých krajinách líšiť.

Spoločnosť STOKKE AS vo všeobecnosti nezaručuje žiadne dodatočné práva mimo tých, ktoré vyplývajú z príslušnej platnej legislatívy, aj keď je nižšie opísaná „Predĺžená záruka“. Práva zákazníka v zmysle platnej legislatívy týkajúcej sa ochrany zákazníka sú totiž dodatočne k tým, ktoré vyplývajú z „Predĺženej záruky“, a nie sú nimi ovplyvňované.

### „PREDĹŽENÁ ZÁRUKA“ SPOLOČNOSTI STOKKE

Spoločnosť STOKKE AS, Parkgata 6, N-6003 Ålesund, Nórsko, však poskytne „Predĺženú záruku“ zákazníkom, ktorí si zaregistrujú výrobok v našej databáze záruk. Registrácia je možná prostredníctvom našej webovej stránky [www.stokkewarranty.com](http://www.stokkewarranty.com). Po registrácii bude zákazníkovi vydaný záručný list, ktorý mu pošleme buď elektronicky (e-mailom), alebo bežnou poštou.

Registrácia v databáze záruk oprávňuje vlastníka na túto „Predĺženú záruku“:

- 7-ročná záruka na akékoľvek výrobné chyby výrobku.

„Predĺžená záruka“ platí aj vtedy, keď bol výrobok obdržaný ako darček alebo kúpený od predchádzajúceho majiteľa. Preto môže byť „Predĺžená záruka“ uplatňovaná v rámci záručnej doby kýmkoľvek, pričom ale musí byť predložený záručný list.

### „Predĺžená záruka“ spoločnosti STOKKE je podmienená týmito faktormi:

- Výrobok bol používaný normálne.
- Výrobok bol používaný len na také účely, na ktoré je určený.
- Výrobok bol bežne udržiavaný podľa návodu na používanie/údržbu.
- Pri uplatňovaní „Predĺženej záruky“ musí byť predložený záručný list spolu s originálnym potvrdením o kúpe, opečiatkovaným dátumom kúpy. Toto platí aj pre akékoľvek druhotradého alebo nasledovného vlastníka.
- Výrobok by mal byť v originálnom stave obsahujúci iba tie časti, ktoré boli dodané spoločnosťou STOKKE a sú určené pre tento výrobok alebo na používanie spolu s týmto výrobkom. Na akékoľvek úpravy, ktoré by neovplyvnili túto záruku, je potrebný písomný súhlas spoločnosti STOKKE.
- Sériové číslo výrobku nesmie byť znížené alebo odstránené.

### „Predĺžená záruka“ spoločnosti STOKKE nezahŕňa:

- Zmeny spôsobené normálnym vývojom a používaním jednotlivých častí výrobku (napríklad farebné zmeny, opotrebovanie a pod.).

- Zmeny spôsobené majými odchýlkami v materiáloch (napríklad farebné rozdiely jednotlivých častí).
- Zmeny spôsobené extrémnym vplyvom vonkajších faktorov, ako sú slnko/svetlo, teplota, vlhkosť, znečistenie životného prostredia atď.
- Škody spôsobené nehodami – napríklad akékoľvek iné predmety narazené do produktu alebo akákoľvek osoba, ktorá prevrátila produkt tak, že do neho narazila. To isté platí pre prípady, keď bol výrobok preťažený, napríklad veľkou hmotnosťou alebo používaním na extrémne hrubotom povrchu.
- Škody spôsobené vonkajším vplyvom, napríklad, keď bol výrobok prevážaný ako batožina.
- Následné škody, napríklad škody spôsobené iným osobám a/alebo na iných predmetoch.
- Ak bol výrobok vybavený doplnkami, ktoré neboli dodané spoločnosťou Stokke, „Predĺžená záruka“ bude zrušená.
- „Predĺžená záruka“ sa nevzťahuje na žiadne doplnky, ktoré boli zakúpené alebo dodané spolu s výrobkom alebo boli dokúpené neskôr.

### Spoločnosť STOKKE v rámci „Predĺženej záruky“:

- Vymeniť alebo – ak to spoločnosť STOKKE uprednostní – opraviť poškodenú časť alebo celý výrobok (ak je to nevyhnutné) za predpokladu, že výrobok bol vrátený predajcovi.
- Zaplatí normálne poštovné za prepravu akékoľvek časti výrobku alebo celého

výrobku zo spoločnosti STOKKE k predajcovi, od ktorého bol výrobok kúpený. Nepreplatí však žiadne cestovné náklady, ktoré môžu vzniknúť majiteľovi výrobku pri uplatňovaní tejto záruky.

- Si v čase uplatňovania tejto záruky zákazníkom vyhradzuje právo na výmenu poškodených častí takými časťami, ktoré sú približne rovnakého dizajnu.
- Si vyhradzuje právo na dodávkú náhradného výrobku v takých prípadoch, keď sa už príslušný výrobok v čase uplatňovania tejto záruky nevyrába. Takýto výrobok by mal byť podobnej kvality a hodnoty.

### Ako si uplatniť „Predĺženú záruku“:

Všetky požiadavky týkajúce sa „Predĺženej záruky“ musia byť predložené predajcovi, od ktorého bol výrobok kúpený. O uplatnenie tejto záruky treba požiadať čo najskôr po objavení akékoľvek chyby, pričom treba predložiť aj záručný list a originálne potvrdenie o kúpe. Predajcovi alebo obchodnému zástupcovi STOKKE treba predložiť dokumentáciu alebo dôkaz o výrobnej chybe, a to prinesením výrobku na jeho inšpekciu alebo iným spôsobom prezentácie chyby výrobku.

Chyba bude odstránená podľa vyššie uvedených ustanovení, ak predajca alebo obchodný zástupca spoločnosti STOKKE rozhodne, že škoda je dôsledkom výrobnej chyby.

# UA ВАЖЛИВО! ЗБЕРЕЖІТЬ ЦЕЙ ПОСІБНИК ДЛЯ ВИКОРИСТАННЯ В МАЙБУТНЬОМУ! УВАЖНО ПРОЧИТАЙТЕ!

Вітаємо вас з придбанням нового ліжка Stokke® Sleepi™!

Маючи Stokke® Sleepi™, ви маєте ліжко, яке можна використовувати з самого народження, та яке росте разом з вашою дитиною.

## Stokke® Sleepi™ Mini

- Коли дитина вже може сидіти, ставати на коліна або підтягуватись, то міні-ліжко використовувати більше не можна
- Перевірте, щоб відстань від матраца до верху міні-ліжка буда не менш, ніж 20 см. З цим не буде проблем, якщо використовувати оригінальний матрац виробництва компанії STOKKE.
- Не дозволяйте іншим дітям без нагляду гратись біля міні-ліжка.
- Перевірте, щоб міні-ліжко було зафіксованому положенні, якщо дитину, яка в ньому знаходиться, залишають без нагляду.

## Ліжко Stokke® Sleepi™

- Висоту піддону дитячого ліжка можна встановити на одну з чотирьох базових висот. Слід перевірити, щоб відстань від матраца до верху ліжка була завжди не менш ніж 30 см у найвищому положенні та 50 см — у

найнижчому. Цей рівень відмічений точкою (∇) на ліжку. З цим не буде проблем, якщо використовувати оригінальний матрац виробництва компанії STOKKE.

- Найнижче положення ліжка завжди є найнебезпечнішим. Як тільки дитина вже може сидіти або підтягуватись, піддон слід опустити.
- Ліки, мотузки, еластики, іграшки або предмети малого розміру, такі як гроші, слід тримати у такому місці, до якого дитина не в змозі дотягнутись з ліжка.
- Щоб уникнути отримання дитиною травм в результаті падіння, коли дитина навчиться самостійно залазити в ліжко й вилізати з нього, необхідно припинити використовувати Sleepi® Bed™ в якості дитячого ліжка. Можна забрати одну стінку ліжка і встановити його дно на найнижчий рівень. Завдяки цьому ваша дитина зможе безпечно залазити в ліжко й вилізати з нього самостійно. Якщо ви це зробите, необхідно обов'язково зняти коліщата.

## Чищення та догляд

МАТРАЦ: Чохол матраца: прати при 60°C. Коли матрац мокрий, його слід розтягнути. Не використовуйте барабанну сушарку.

ПІНКА: піддавати обробці при 60°C та прати/промивати у гарячій воді. Матрац

слід завжди прати, якщо на нього потрапила сеча; сеча є дуже сприятливим середовищем для росту грибка.

ДЕРЕВО: протирати чистою вологою тканиною, стирати залишки води. Ми не рекомендуємо використовувати миючі засоби. Під впливом сонячного світла кольори можуть змінитись.

ЗВИЧАЙНЕ ВИКОРИСТАННЯ: вранці завжди знімайте простирadlo та дайте йому та ліжку «охолонути» та висохнути.

## Рекомендований розмір матраца

Ця коляска виготовлена для використання з матрацом розміром 677 мм завширшки, 1210 мм в довжину та 80 мм завтовшки для Sleepi та 573 мм завширшки, 733 мм в довжину та 80 мм завтовшки для Mini і має форму ліжка/міні-ліжка. Ширина та довжина зазначені, оскільки важливо, щоб зазори між матрацом та боковими чи торцевими сторонами ліжка не перевищували 30 мм. Це потрібно для того, щоб знизити до мінімуму ризик потрапляння рук або ніг дитини у зазори. Товщина матраца встановлена точно — це гарантує, що глибина ліжка буде більшою за 500 мм, коли низ матраца знаходиться у

найнижчому положенні. Таким чином мінімізується ризик того, що дитина залізе на край ліжка або випаде з нього.

## Інформація про новий матрац

- Після стиснення матрац відновлює оригінальну форму за 72–96 годин.
- Поліуретанова пінка має специфічний запах, який може триматися впродовж кількох днів після розпакування. Потім запах зникне. Провітрювання та чищення матраца пілососом допоможуть усунути запах.
- Пінка реагує на ультрафіолетове сонячне світло та кисень, що міститься в повітрі, і з часом жовтіє.
- Матрац відповідає вимогам стандарту EN 16890:2017.

## ⚠ ВАЖЛИВО!

Уважно прочитайте цю інструкцію та ретельно її виконуйте, щоб не порушити засоби забезпечення безпеки Mini та ліжка. Інструкцію та шестигранний ключ слід зберегти для використання у майбутньому. Через 2–3 тижні після зборки слід наново затягнути усі гвинти.

- Під час зборки Mini або ліжка не слід затягувати гвинти, доки ліжко не буде повністю зібрано. Це найлегший спосіб зборки.
- Mini або ліжко повинні стояти на рівній та стійкій поверхні. Після зборки слід перевірити та затягнути всю фурнітуру та гвинти. Фурнітуру та гвинти слід регулярно перевіряти та затягувати у разі необхідності. Слабкі гвинтові з'єднання можуть призвести до затиснення частини тіла дитини або її одягу

(наприклад, шнурків, намиста, стрічок для сосок та ін.), що може призвести до ризику удення.

- Не розташовуйте Mini або ліжко біля відкритого вогню або таких джерел сильного тепла, як електричні каміни, газові плити тощо, оскільки це може призвести до загоряння.
- Не використовуйте Mini або ліжко, якщо будь-які з його деталей пошкоджені, надірвані або відсутні. Використовуйте тільки запасні частини, ухвалені STOKKE.

- STOKKE® tarafından üretilmeyen herhangi bir aksesuar veya yedek parça kullanmayın; bu çocuğunuz için güvenli olmayabilir.
- Не залишайте нічого в ліжку і не ставте ліжко біля іншого вогню, який може послужити опорою для ніг або представляє небезпеку задення чи асфіксії, наприклад, мотузок, шнурків жалюзі/штор тощо.
- Не используйте больше одного матраца в люльке Sleepi mini.

## Право на подання скарги та Додаткова гарантія

Діють у всьому світі для ліжка Stokke® Sleepi™, (далі Виріб).

### ПРАВО НА ПОДАННЯ СКАРГИ

Згідно діючого законодавства про захист прав споживачів, що може відрізнятися залежно від країни, покупець має право на подання скарги у будь-який час. Загалом, компанія STOKKE AS не надає додаткових прав до тих, які вже викладені в діючому законодавстві, навіть і тоді, коли б вони витікали з наведеної нижче "Додаткової гарантії". Права покупця згідно діючого законодавства про захист прав споживачів доповнюють ті права, які викладені в "Додатковій гарантії", і які, таким чином, залишаються незмінними.

### "ДОДАТКОВА ГАРАНТІЯ" компанії STOKKE®

Однак, компанія STOKKE AS (адреса: Parkgata 6, N-6003 Ålesund, Norway/Норвегія), надає «Розширену гарантію» покупцям, що зареєстрували придбаний виріб у нашій гарантійній базі даних. Це можна зробити на нашому веб-сайті: [www.stokkewarranty.com](http://www.stokkewarranty.com). Після реєстрації покупець видається гарантійне свідоцтво, яке буде відправлено електронною або звичайною поштою.

Реєстрація в базі даних Гарантії дає право на таку "Додаткову гарантію":

- Гарантію на 7 років у випадку виробничого браку Виробу.

"Додаткова гарантія" також дієна, якщо Виріб був отриманий в подарунок або придбаний користувачем. Таким чином, "Додатковою гарантією" може користуватися той, хто є власником Виробу на даний час, протягом дії Гарантії та за умови, що він володіє Гарантійним Сертифікатом.

### "Додаткова гарантія" компанії STOKKE® діє за наступних умов:

- У випадку нормального використання.
- Виріб використовується тільки за призначенням.
- Виріб пройшов звичайне обслуговування, як вказано в посібнику з Експлуатації/Обслуговування.
- Для отримання "Додаткової гарантії" слід пред'явити Гарантійний Сертифікат разом з оригіналом квитанції, на якій стоїть штамп з датою. Це стосується і будь-яких наступних власників Виробу.
- Виріб повинен бути в первинному стані, це означає, що використовувались

тільки запчастини компанії STOKKE®, призначені для цього Виробу або для використання разом з ним. Будь-які відхилення вимагають попереднього письмового узгодження з компанією STOKKE®.

- Серійний номер Виробу не був знищений чи стертий.

### Дія "Додаткової гарантії" STOKKE® не поширюється на:

- Природні процеси, які стаються зі складовими частинами Виробу (наприклад, зміни в забарвленні та зношенні).
- Незначні зміни в матеріалах (наприклад, різниця в кольорі між частинами).
- Сильний вплив зовнішніх факторів, таких як сонячне проміння, світло, температура, вологість, забруднення навколишнього середовища і т.п.
- Пошкодження, спричинені нещасними випадками, наприклад, коли будь-які інші об'єкти наткнулися на Виріб або коли будь-яка особа перевернула Виріб шляхом зіткнення з ним. Це також стосується випадків переважання Виробу, наприклад, у разі застосування надмірної ваги.
- Пошкодження, спричинені зовнішнім впливом, наприклад якщо Виріб перевозили як багаж.

- Непрямі пошкодження, наприклад їх було завдано особами та/або будь-якими об'єктами.
- У випадку, якщо на Виріб було встановлено складові частини, які не були поставлені компанією STOKKE®, "Додаткова гарантія" припиняє свою дію.
- "Додаткова гарантія" не поширюється на ті частини, які були придбані чи поставлені разом з Виробом або пізніше.

### За цією "Додатковою гарантією" компанія STOKKE® зобов'язується:

- Замінити чи — якщо STOKKE® вважає за потрібне — відремонтувати браковану складову частину або весь Виріб (якщо необхідно), за умови, що Виріб буде доставлено до торгового посередника.
- Pokрити звичайні транспортні затрати для заміни частини або цілого Виробу від компанії STOKKE® до торгового посередника, у якого був замовлений Виріб. — Витрати на проїзд покупця за умовами Гарантії не покриваються.
- На час використання Гарантії надати право на заміну бракованих частин на такі, що є майже однаковими за дизайном.
- Надати можливість замінити Виріб у випадках, коли сам Виріб більше не

виготовляється протягом дії Гарантії. Такий Виріб має бути відповідної якості та ціни.

### Як користуватися "Додатковою гарантією":

Загалом, всі звернення, що пов'язані з дією "Додаткової гарантії" мають скеровуватись торговому посереднику, у якого було придбано Виріб. Звертатись потрібно відразу ж після виявлення браку та прикріплювати до звернення Гарантійний Сертифікат, а також оригінал квитанції замовлення. Потрібно пред'явити документ, що підтверджує виробничий брак, для цього треба принести Виріб до торгового посередника або ж віддати Виріб на перевірку до торгового посередника чи торгового представника STOKKE®. Брак буде усунений у відповідності до умов, викладених вище, якщо торговий посередник або торговий представник STOKKE® визначить, що шкода спричинена виробничим браком.



EN 716:2017

# US/CA READ ALL INSTRUCTIONS BEFORE ASSEMBLY AND USE OF PRODUCT. KEEP INSTRUCTIONS FOR FUTURE USE.

## General Instructions

- Read these instructions carefully and follow them in detail to ensure that the safety features of the bassinet and crib are not compromised. Keep these instructions for later use. Save the Allen key for later use. Re-tighten all screws 2-3 weeks after assembly.
- When assembling the bassinet or crib do not tighten the screws until the whole unit is assembled. Doing this ensures you the easiest way to assemble.
- Make sure the bassinet or crib is placed on a level and stable surface. After assembly, check and tighten all fittings and screws. Loose screw connections or parts could lead to the baby trapping a body part, or clothing (e.g. strings, necklaces, ribbons for babies' dummies, etc.) which would pose a risk of strangulation.
- Make sure there are no loose parts in the bassinet or crib which a child could swallow, as this could lead to suffocation or choking. Make sure there are no loose parts in the crib that could provide a foothold for
- your child.
- Never place the bassinet or crib by an open fire or source of strong heat such as electric bar fires, gas fires, etc. due to the risk of fire.

- Do not use the bassinet or crib if any parts are damaged or missing.
- Place the bassinet or crib in reasonable distance from curtains, blinds, heaters and power points.
- To ensure a safe environment for the child, check regularly, before placing the child in the bassinet or crib, that every component is properly and securely in place.

## Information about your new mattress

Compressed mattresses regain their original shape after 72-96 hours

Polyurethane-foam has a distinctive odour which may linger a few days after unpacking. The odour will disappear. Airing and vacuuming the mattress will help to eliminate the odour.

The foam reacts to the ultraviolet light from the sun and the oxygen from the air and will turn yellow with time.

The mattress is compliant with EN 16890:2017.

**INSTRUCTIONS FOR USE:** Hold the zipper end with one hand. As the zipper puller is sewn on inside, use the other hand to open the zipper from mesh side.

## CLEANING AND MAINTENANCE

### STOKKE Mattress\*)

- Ticking: Washable at 60°C (140°F). Stretch while wet. Do not tumble dry.
- Foam: Can be heat treated in 100°C (212°F) and washed/flushed in boiling water. After a pee accident, the mattress should always be washed; pee is excellent growth media for fungi.
- Wood: Wipe with a clean damp cloth, wipe off excess of water. We do not recommend any use of detergent. Colours may change if they are exposed to the sun.
- Normal use: Always remove the bedlinen in the morning and let the bed and bedlinen "cool down" and dry up.

\*) Not valid for other manufacturers. See own care-instructions.

## Right of complaint and Extended Warranty

**Applicable worldwide in respect of the Stokke® Sleepi™, hereinafter referred to as the product.**

### RIGHT OF COMPLAINT

The customer has a right of complaint pursuant to the consumer protection legislation applicable at any given time, which legislation may vary from country to country. Generally speaking, STOKKE AS does not grant any additional rights over and above those laid down by the legislation applicable at any given time, although reference is made to the "Extended Warranty" described below. The rights of the customer under the consumer protection legislation applicable at any given time are additional to those under the "Extended Warranty", and are not affected thereby.

### STOKKE® "EXTENDED WARRANTY"

However, STOKKE AS, Parkgata 6, N-6003 Ålesund, Norway, grants an "Extended Warranty" to customers who register their product in our Warranty Database. This may be done via our webpage [www.stokkewarranty.com](http://www.stokkewarranty.com). Upon registration, a warranty certificate will be issued and sent to the customer electronically (e-mail) or by ordinary mail.

Registration in the Warranty Database entitles the owner to an "Extended Warranty" as follows:

- **7-year warranty** against any manufacturing defect in the product.

The "Extended Warranty" also applies if the product has been received as a gift or purchased second-hand. Consequently, the "Extended Warranty" may be invoked by whoever is the owner of the product any given time, within the warranty period, and subject to the warranty certificate being presented by the owner.

**The STOKKE® "Extended Warranty" is conditional upon the following:**

- Normal use.
- The product only having been used for the purpose for which the product is intended.
- The product having undergone ordinary maintenance, as described in the maintenance/instruction manual.
- Upon the "Extended Warranty" being invoked, the warranty certificate shall be presented, together with the original date-stamped purchase receipt. This also applies to any secondary or subsequent owner.
- The product appearing in its original state, hereunder that the only parts used

have been supplied by STOKKE® and are intended for use on, or together with, the product. Any deviations herefrom require the prior written consent of STOKKE®.

- The serial number of the product not having been destroyed or removed.

**The STOKKE® "Extended Warranty" does not cover:**

- Issues caused by normal developments in the parts making up the product (e.g. colouration changes, as well as wear and tear).
- Issues caused by minor variations in materials (e.g. colour differences between parts).
- Issues caused by extreme influence from external factors like sun/light, temperature, humidity, environmental pollution, etc.
- Damage caused by accidents/mishaps – for example any other objects having bumped into the product or any person having overturned the product by colliding with it. The same applies if the product has been overloaded, for example in terms of the weight placed on it.
- Damage inflicted on the product by external influence, for example when the product is being shipped as luggage.
- Consequential damage, for example damage inflicted on any persons and/or any other objects.

- If the product has been fitted with any accessories that have not been supplied by Stokke, the "Extended Warranty" shall lapse.
- The "Extended Warranty" shall not apply to any accessories that have been purchased or supplied together with the product, or at a subsequent date.

**STOKKE® will under the "Extended Warranty":**

- Replace or – if STOKKE® thus prefers – repair the defective part, or the product in its entirety (if necessary), provided that the product is delivered to a reseller.
- Cover normal transport costs for any replacement part/product from STOKKE® to the reseller from whom the product was purchased. – No travel costs on the part of the purchaser are covered under the terms of the warranty.
- Reserve the right to replace, at the time of the warranty being invoked, defect parts by parts that are of approximately the same design.
- Reserve the right to supply a replacement product in cases where the relevant product is no longer being manufactured at the time of the warranty being invoked. Such product shall be of corresponding quality and value.

**How to invoke the "Extended Warranty":**

Generally speaking, all requests relating to the "Extended Warranty" shall be made to the reseller from whom the product was purchased. Such request shall be made as soon as possible after any defect has been discovered, and shall be accompanied by the warranty certificate as well as the original purchase receipt. Documentation/evidence confirming the manufacturing defect shall be presented, normally by way of the product being brought along to the reseller, or otherwise being presented to the reseller or a STOKKE® sales representative for inspection. The defect will be remedied in accordance with the above provisions if the reseller or a STOKKE® sales representative determines that the damage is caused by a manufacturing defect.

Stokke® Sleepi™ Mini

## **WARNING**

**Failure to follow these warnings and instructions could result in serious injury or death**

- **FALL HAZARD**—To help prevent falls, do not use this product when the infant begins to push up on hands and knees or has reached 33 lbs (15 kg), whichever comes first.
- Child can become entrapped and die when improvised netting or covers are placed on top of product. Never add such items to confine child in product.
- The crib, including side rails, must be fully erected prior to use.
- Discontinue use of crib when child is able to climb out or reaches the height of 35 in. (890mm).
- Never place product near a window where cords from blinds or drapes can strangle a child.
- If a sheet is used with the pad, use only the one provided by the bassinet or cradle manufacturer or one specifically designed to fit the dimensions of the bassinet or cradle mattress.

- When a child is able to sit, kneel or to pull itself up, the cradle/bassinet shall not be used anymore for this child.
- Never use this product if there are any loose or missing fasteners, loose joints, broken parts or torn mesh/fabric. Check before assembly and periodically during use. Contact Stokke LLC for replacement parts. Never substitute parts.
- Make sure that the distance from the mattress to the top of the bassinet is never less than 7.9". You will have no problems if the original mattress from STOKKE is used.
- Do not let other children play unsupervised near the bassinet.
- Make sure the bassinet is locked in a fixed position when a child is unsupervised in it.
- To reduce the risk of SIDS, pediatricians recommend healthy infants be placed on their backs to sleep, unless otherwise advised by your physician.
- Always provide the supervision necessary for the continued safety of your child. When used for playing, never leave child unattended.
- Use **ONLY** mattress/pad provided by the STOKKE which must be at least 29.6 in. long by 23 in. wide, and not more than 1 in. thick, and have the shape of the crib.
- The mattress used with this cradle should not be more than 1 in. thick and should measure no less than 29,6 in. long and 23 in. wide. When the mattress is pushed against the sides of the cradle, there should be no gap bigger than 1 in. between the mattress and the sides of the cradle.
- Check proper fit of mattress. Should not be more than 1 inches thick. The maximum gap between mattress and inside of crib border (or edge) should be no more than 1 in.
- Do not use more than one mattress in the cot.
- Replace teething rail if damaged, cracked, or loose.
- Do not use any accessories or replacement parts not manufactured by STOKKE®, this may affect your child's safety.

## **WARNING**

**Strings can cause strangulation!**

Do **not** place items with a string around a child's neck, such as hood strings or **pacifier cords**. **DO NOT suspend strings** over a crib or attach strings to toys.

Do not use this cradle if the enclosed or attached instructions cannot be strictly adhered to. Do not use this cradle if the child is able to climb out unaided. Do not place cords, straps or similar items that could become wound around the child's neck in or near this cradle. The mattress used with this cradle should not be more than 1 in. thick and should measure no less than 29,6 in. long and 23 in. wide. When the mattress is pushed against the sides of the cradle, there should be no gap bigger than 1 in. between the mattress and the sides of the cradle.

## **WARNING – SUFFOCATION HAZARD.**

Infants have suffocated:

- In gaps between extra padding and side of the bassinet/cradle, and
- On soft bedding
- In gaps between a mattress too small or too thick and product sides
- Use only the pad provided by manufacturer. **NEVER** add a pillow, comforter, or another mattress for padding.



## **WARNING**

### **Failure to follow these warnings and instructions could result in serious injury or death**

- Child can become entrapped and die when improvised netting or covers are placed on top of product. Never add such items to confine child in product.
- The crib, including side rails, must be fully erected prior to use.
- Strings can cause strangulation! Never place items with a string around a child's neck such as hood strings or pacifier cords. Never suspend strings over product or attach strings to toys.
- Discontinue use of crib when child is able to climb out or reaches the height of 35 in. (890mm).
- Never place product near a window where cords from blinds or drapes can strangle a child.
- When child is able to pull to standing position, set mattress/base to lowest adjustment position and remove bumper pads, large toys, and other objects that could serve as steps for climbing out.
- Never use this product if there are any loose or missing

fasteners, loose joints, broken parts or torn mesh/fabric. Check before assembly and periodically during use. Contact Stokke LLC for replacement parts. Never substitute parts.

- Never use plastic shipping bags or other plastic film as mattress covers not sold and intended for that purpose. They can cause suffocation.
- If refinishing, use a non-toxic finish specified for children's products.
- Never use a water mattress with this product.
- The crib base height can be adjusted at all four basic heights. Make sure that the distance from the mattress to the top of the crib is never less than 11.8" in the highest position and 20" in the lowest position. You will have no problems if the original mattress from STOKKE is used.
- The lowest position of the crib base is always the safest. As soon as the baby can sit up or pull itself up, the crib base must be lowered.
- Make sure to keep medication, string, elastic, small toys or small items such as money out of reach from any position in the crib
- When your child can climb in and out of the bed by itself, you can consider removing one side of the bed and adjust the crib base to the upper position.

- Always provide the supervision necessary for the continued safety of your child. When used for playing, never leave child unattended.
- To reduce the risk of SIDS, pediatricians recommend healthy infants be placed on their back to sleep, unless otherwise advised by your physician.
- Use ONLY mattress/pad provided by the STOKKE which must be at least 47.2 in. long by 26.4 in. wide, and not more than 3.9 in. thick, and have the shape of the crib.
- The mattress used with this crib should not be more than 3.9 in. thick and should measure no less than 48 in. long and 26.7 in. wide. When the mattress is pushed against the sides of the crib, there should be no gap bigger than 1 in. between the mattress and the sides of the crib.
- Check proper fit of mattress. Should not be more than 3.9 inches thick. The maximum gap between mattress and inside of crib border (or edge) should be no more than 1 in.
- Do not use more than one mattress in the cot.
- Replace teething rail if damaged, cracked, or loose.
- Do not use any accessories or replacement parts not manufactured by STOKKE, this may affect your child's safety.

## **WARNING**

### **Strings can cause strangulation!**

Do not place items with a string around a child's neck, such as hood strings or pacifier cords. DO NOT suspend strings over a crib or attach strings to toys.

Do not use this crib if the enclosed or attached instructions cannot be strictly adhered to. Do not use this crib if the child is able to climb out unaided or is taller than 90cm (35"). Do not place cords, straps or similar items that could become wound around the child's neck in or near this crib. Ensure that the sides are properly latched or locked in place when the crib is occupied. The mattress used with this crib should not be more than 3.9 in. thick and should measure no less than 48 in. long and 26.7 in. wide. When the mattress is pushed against the sides of the crib, there should be no gap bigger than 1 in. between the mattress and the sides of the crib.

## **WARNING – SUFFOCATION HAZARD.**

### Infants have suffocated:

- In gaps between extra padding and side of the bassinet/cradle, and
- On soft bedding
- In gaps between a mattress too small or too thick and product sides
- Use only the pad provided by manufacturer. NEVER add a pillow, comforter, or another mattress for padding.

# US LEA TODAS LAS INSTRUCCIONES ANTES DE ENSAMBLAR Y UTILIZAR EL PRODUCTO. GUARDE ESTAS INSTRUCCIONES, EN CASO DE QUE NECESITE CONSULTARLAS EN UN FUTURO.

## Instrucciones generales

- Lea y siga atentamente estas instrucciones a fin de asegurar que el moisés y la cuna se utilicen adecuadamente. Guarde estas instrucciones, en caso de que necesite consultarlas en un futuro. Conserve la llave hexagonal (Allen) para utilizarla luego. Reajuste todos los tornillos a las 2 ó 3 semanas de haber realizado el ensamblaje.
- Al ensamblar el moisés o la cuna se recomienda no ajustar completamente los tornillos antes de que se haya ensamblado toda la unidad. Esta es la forma más simple de realizar el ensamblaje.
- Coloque el moisés o la cuna sobre una superficie plana y estable. Después del ensamblaje, controle y ajuste bien todos los tornillos y accesorios. Si quedan piezas o tornillos flojos, el niño podría quedar atrapado o ciertos detalles de su ropa (por ej: cordones, lazos, el cordel del chupete, etc.) podrían trabarse y estrangularlo.
- Asegúrese de que no queden en el moisés o la cuna piezas sueltas que el niño pueda tragar, ya que puede asfixiarse o atragantarse. Asegúrese también de no dejar en la cuna piezas sobre las que el niño pueda pararse.
- Nunca instale el moisés o la cuna cerca de fogones ni otras potentes fuentes

de calor como estufas eléctricas, estufas a gas, etc., dado el riesgo de incendio que implican.

- No utilice el moisés o la cuna si alguna de las piezas faltara o estuviera dañada.
- Coloque el moisés o la cuna a una distancia prudencial de cortinas, persianas, calefactores y tomacorrientes.
- A efectos de garantizar un entorno seguro para el niño, controle varias veces antes de colocarlo en el moisés o la cuna que todas las partes componentes estén perfectamente colocadas en su sitio.

## Acerca de su nuevo colchón

Los colchones comprimidos retoman su forma original entre 72 y 96 horas después. La espuma de poliuretano tiene un olor característico que puede persistir por algunos días una vez que desempaquete el colchón, pero luego desaparecerá. Se recomienda ventilarlo y pasarle una aspiradora para eliminar el olor. La espuma reacciona al oxígeno del aire y la luz ultravioleta del sol, y con el tiempo se vuelve amarillenta.

El colchón cumple con la norma EN 16890:2017.

## LIMPIEZA Y MANTENIMIENTO

### Colchón Stokke Sleepi®)

Tela de colchones: Lavable a 60°C (140°F) Estírela mientras esté mojada. No use secadora. Espuma: Puede ser tratada con calor hasta la temperatura de 100°C (212°F). Lavable/enjuagable en agua en ebullición. Lave el colchón cada vez que el niño haga pipi en la cuna dado que la orina es un excelente caldo de cultivo para hongos. Componentes de madera: Limpiar con un trapo limpio y húmedo, secar bien después. No se recomienda el uso de detergentes, el uso de detergente. La exposición al sol puede decolorar la madera. Uso diario: Quite las sábanas todos los días por la mañana y permita que la ropa de cama y el colchón se aireen.

\*) No es válido para otros fabricantes – Ver sus propias indicaciones para el mantenimiento del producto.

## Derecho de reclamación y garantía extendida

**De aplicación en todo el mundo en lo concerniente a la cama Stokke® Sleepi™, en adelante «el producto».**

### DERECHO DE RECLAMACIÓN

El cliente tiene derecho a la reclamación de conformidad con la legislación aplicable de protección al consumidor en cualquier momento, teniendo en cuenta que la legislación puede variar en función del país de que se trate.

Por lo general, STOKKE AS no otorga derechos complementarios que supongan una mejora de los establecidos en la legislación aplicable en cualquier momento, aunque se hará referencia a la «Garantía Extendida» a continuación. Los derechos del consumidor bajo la legislación aplicable de protección al consumidor en cualquier momento, son complementarios a las garantías de la «Garantía Extendida» y no afectos a la misma.

### «GARANTÍA EXTENDIDA» DE STOKKE

Sin embargo, STOKKE AS, Parkgata 6, N-6003 Ålesund, Noruega, otorga una "garantía extendida" a clientes que registren su producto en nuestra base de datos de la garantía. Esto se puede hacer a través de la página web [www.stokkewarranty.com](http://www.stokkewarranty.com). Tras el registro, se emite un certificado de garantía que se envía al cliente por correo electrónico o postal.

El registro en la Base de Datos de Garantías da derecho al propietario a la «Garantía Extendida» que consta de:

- Una garantía de siete años contra cualquier defecto de fabricación del producto.

La «Garantía Extendida» también es aplicable si el producto se ha recibido como regalo o si se ha comprado de segunda mano. Por lo tanto, cualquier persona que sea propietaria del producto podrá apelar a la «Garantía Extendida» en cualquier momento, siempre dentro del periodo de garantía y con la condición de la presentación del certificado de garantía por parte del propietario.

### La «Garantía Extendida» de STOKKE depende del cumplimiento de las siguientes condiciones:

- Uso normal.
- El producto sólo podrá haberse utilizado para el fin destinado.
- El producto habrá tenido el mantenimiento necesario, siguiendo las instrucciones del manual de mantenimiento o instrucciones.
- Tras la apelación a la «Garantía Extendida», se presentará el certificado de garantía, junto con el recibo de compra original con sello que incluya la fecha de compra. Esto también será de aplicación para propietarios secundarios o posteriores.

- El producto deberá presentarse en su estado original, y, dentro de esta condición, las piezas utilizadas deberán ser sólo las que haya suministrado STOKKE cuyo fin es su uso en o junto con el producto. Cualquier modificación de esta condición requerirá el consentimiento previo por escrito de STOKKE®.
- El número de serie del producto no podrá haber sido destruido o retirado.

### Las siguientes circunstancias no quedarán cubiertas por la «Garantía Extendida» de STOKKE:

- Problemas a causa de la evolución normal de las piezas que componen el producto (p. ej. cambios de color, así como desgaste).
- Problemas a causa de pequeñas variaciones en los materiales (p. ej. diferencias de color entre las piezas).
- Problemas a causa de la influencia de factores externos tales como la luz solar, temperatura, humedad, contaminación ambiental, etc.
- Daños a causa de accidentes o infortunios, por ejemplo por cualquier otro objeto que haya golpeado el producto o por cualquier persona que haya volcado el producto al chocar con él. Lo mismo ocurrirá en caso de que el producto se sobrecargue, por ejemplo por el peso que se coloque encima del mismo.

- Daños ocasionados en el producto por influencia externa, por ejemplo cuando el producto se envíe como equipaje.
- Daños indirectos, por ejemplo, daños causados a cualquier persona y/o a cualquier otro objeto u objetos.
- Si el producto se equipara con accesorios no suministrados por Stokke, prescribirá la «Garantía Extendida».
- La «Garantía Extendida» no será aplicable a accesorios que se hayan comprado o suministrado junto con el producto o en una fecha posterior.

### Bajo la «Garantía Extendida», STOKKE hará lo siguiente:

- Reemplazar o, si STOKKE así lo prefiere, reparar la pieza defectuosa, o el producto íntegro (si fuera necesario) con la condición de que el producto se entregue a un distribuidor.
- Cubrir los costes normales de transporte para cualquier pieza o producto de reemplazo de STOKKE enviado al distribuidor del que se haya adquirido el producto. Ningún gasto de viaje por parte del comprador quedará cubierto bajo las condiciones de la garantía.
- Reservarse el derecho a sustituir, en el momento en el que se haga uso de la garantía, las piezas defectuosas con piezas que sean aproximadamente del mismo diseño.
- Reservarse el derecho a suministrar un producto sustitutivo en el caso en el que el

producto en cuestión ya no se esté fabricando en el momento en que se haga uso de la garantía. Tal producto será de una calidad y un valor equivalentes.

### Cómo hacer uso de la «Garantía Extendida»:

Por lo general, todas las peticiones que se refieran a la «Garantía Extendida» se harán al distribuidor del que se haya comprado el producto. Estas peticiones se harán a la menor brevedad tras la detección de cualquier defecto, y se acompañarán del certificado de garantía así como del recibo original de compra.

La documentación o pruebas que confirmen el defecto de fabricación normalmente se presentarán al llevar el producto al distribuidor o, en otro caso, presentándolas al distribuidor o a un representante de ventas de STOKKE para su inspección.

El defecto se subsanará de acuerdo con las disposiciones anteriores si el distribuidor o un representante de ventas de STOKKE determinaran que el daño lo ha producido un defecto de fabricación.

## **ADVERTENCIA**

**Si no se siguen estas advertencias e instrucciones pueden producirse lesiones graves, e incluso la muerte.**

- PELIGRO DE CAÍDA — Para ayudar a prevenir caídas, no utilice este producto cuando el niño empiece a empujarse hacia arriba con las manos y rodillas o cuando haya alcanzado los 15 kg, lo que ocurra primero.
- El niño puede quedar atrapado y morir si se utilizan mallas o coberturas por encima de la cuna. Nunca utilice este tipo de productos para confinar al niño a la cuna.
- Antes de utilizar la cuna deberá armarla en su totalidad, incluyendo los barrotes laterales.
- Deje de utilizar la cuna cuando el niño sea capaz de bajarse de ella por sí solo o su talla sea de 90 cm (35”).
- Nunca coloque la cuna cerca de ventanas donde las cuerdas de las persianas o cortinas pudieran estrangular al niño.
- Si utiliza una sábana junto con el cojín, sólo utilice la provista por el fabricante del moisés o la cuna, o bien

una especialmente diseñada para las dimensiones del colchón del moisés o la cuna.

- Cuando el niño ya pueda sentarse, arrodillarse o ponerse de pie por sí mismo, ya no deberá usar más el moisés o la cuna.
- Antes de armarla y usarla, inspeccione la cuna para determinar si hay herrajes dañados, uniones flojas, piezas que faltan o bordes filosos. NO use la cuna si falta o está dañada alguna pieza. Pida a su distribuidor o escriba a STOKKE pidiendo piezas de repuesto o notas de utilización, de ser necesario. NO sustituya las piezas.
- Asegúrese de que la distancia entre el colchón y el borde superior del moisés no sea inferior a 20 cm (7.9”). Si adquiere el colchón original de STOKKE, no tendrá este problema.
- Nunca permita que otros niños jueguen solos cerca del moisés.
- Antes de dejar al niño solo en el moisés, asegúrese de que las ruedas estén en posición fija (con el freno echado).
- Para reducir el riesgo de síndrome de muerte súbita del lactante, los pediatras recomiendan que los niños duerman apoyados sobre su espalda, a menos que el médico indique lo contrario.

- Siempre permanezca atento para que su niño esté seguro continuamente. Si utiliza el producto para jugar, no deje al niño solo en ningún momento.
- SÓLO utilice los colchones o cojines provistos por STOKKE, cuya forma es adecuada para la cuna y deben medir al menos 120 cm (26,9”) de largo por 67 cm (23”) de ancho y no menos de 2 cm (1”) de espesor.
- El colchón para utilizar con el moisés no debe superar los 2,54 cm de espesor y debe medir al menos 75,18 cm de largo y 58,42 cm de ancho. Al empujarse contra los lados del moisés, no debe quedar ningún espacio superior a los 2,54 cm entre el colchón y los bordes.
- Compruebe que el colchón encaje correctamente. No debe superar los 1 in. de espesor. El espacio máximo entre el colchón y el lado interior del moisés no debe superar los 2,54 cm.
- No usar más de un colchón en la cuna.
- Reemplace la barra de madera si estuviera estropeada, quebrada o suelta.
- El uso de piezas de recambio o accesorios que no sean los suministrados por STOKKE® puede afectar a la seguridad del niño.

## **ADVERTENCIA**

**¡Los cordones pueden provocar el estrangulamiento del niño!**

No ate con cordones ningún objeto alrededor del cuello del niño, por ejemplo cordones de capuchas o chupetes. NO CUELGUE cordones por encima de la cuna ni ate cordones a los juguetes.

Esta cuna sólo puede utilizarse si se siguen al pie de la letra las indicaciones que se adjuntan. No utilice esta cuna si el niño se puede bajar por sí solo. No coloque cordeles, tirantes u objetos similares dentro o cerca de la cuna, ya que podrían enrollarse al niño por el cuello. El colchón para utilizar con el moisés no debe superar los 2,54 cm de espesor y debe medir al menos 75,18 cm de largo y 58,42 cm de ancho. Al empujarse contra los lados del moisés, no debe quedar ningún espacio superior a los 2,54 cm entre el colchón y los bordes.

## **ADVERTENCIA – PELIGRO DE ASFIXIA.**

### Niños han sufrido asfixia:

- En los espacios entre el acolchado adicional y el borde del moisés,
- En la ropa de cama mullida,
- En los espacios entre los bordes y el colchón, cuando éste es demasiado pequeño o espeso. Únicamente utilice el colchón provisto por el fabricante. No agregue NUNCA una almohadilla, edredón u otro colchón para rellenar.



## **ADVERTENCIA**

**Si no se siguen estas advertencias e instrucciones pueden producirse lesiones graves, e incluso la muerte.**

- El niño puede quedar atrapado y morir si se utilizan mallas o coberturas por encima de la cuna. Nunca utilice este tipo de productos para confinar el niño a la cuna.
- Antes de utilizar la cuna deberá armarla en su totalidad, incluyendo los barrotes laterales.
- ¡Los cordones pueden causar el estrangulamiento del niño! No ate con cordones ningún objeto alrededor del cuello del niño, por ejemplo cordones de capuchas o chupetes. NO CUELQUE cordones por encima de la cuna ni ate cordones a los juguetes.
- Deje de utilizar la cuna cuando el niño sea capaz de bajarse de ella por sí solo o su talla sea de 90 cm (35").
- Nunca coloque la cuna cerca de ventanas donde las cuerdas de las persianas o cortinas pudieran estrangular al niño.
- Cuando el niño sea capaz de ponerse de pie por sí solo, coloque el colchón en la posición más baja de la base y quite el acolchado protector, los juguetes grandes y otros objetos que puedan servir al niño de escalón para bajarse de la cuna.

- No utilice la cuna si alguna unión, pieza o sujetador faltara o estuviera dañado, o si la malla o tela estuviese rota. Antes de ensamblar la cuna o comenzar a utilizarla, contrólela cuidadosamente. Comuníquese con STOKKE LLC si necesita piezas de repuesto. Nunca reemplace las piezas.
- Nunca utilice bolsas plásticas o envoltorios transparentes para cubrir el colchón, ya que podrían asfixiar al niño. Utilice solamente artículos que se vendan con ese propósito.
- Si vuelve a dar un acabado a la cuna, utilice un producto no tóxico, especial para artículos infantiles.
- Nunca utilice un colchón de agua en esta cuna.
- La altura de la base de la cuna es regulable a cuatro alturas distintas. Asegúrese de que la distancia entre el colchón y el borde superior de la cuna sea como mínimo de 30 cm (11.8") en la posición más alta y de 50,8 cm (20") en la posición más baja. Si adquiere el colchón original de STOKKE, no tendrá este problema.
- La posición más baja de la base es siempre la más segura. En cuanto el niño logre sentarse o ponerse de pie por sí solo en la cuna, será necesario bajar la base.
- Asegúrese de mantener medicamentos, cordones, elásticos, juguetes pequeños u otros objetos como

- monedas fuera del alcance del niño desde cualquier posición que pudiera tener en la cuna.
- Una vez que el niño pueda subirse y bajarse de la cuna por sí solo, usted podrá retirar una barandilla lateral y ajustar la altura de la base de la cuna en la posición más alta.
- Siempre permanezca atento para que su niño esté seguro continuamente. Si utiliza el producto para jugar, no deje al niño solo en ningún momento.
- Para reducir el riesgo de síndrome de muerte súbita del lactante, los pediatras recomiendan que los niños duerman apoyados sobre su espalda, a menos que el médico indique lo contrario.
- SÓLO utilice los colchones o cojines provistos por el fabricante, cuya forma es adecuada para la cuna y deben medir al menos 120 cm (47.2") de largo por 67 cm (26.4") de ancho y no más de 9,9 cm (3.9") de espesor.
- El colchón para utilizar con la cuna no debe superar los 9,9 cm de espesor y debe medir al menos 121,92 cm de largo y 67,8 de ancho. Al empujarse contra los lados de la cuna, no debe quedar ningún espacio superior a los 2,54 cm entre el colchón y los bordes.
- Compruebe que el colchón encaje correctamente. No debe superar los 3,9 in. de espesor. El espacio máximo

- entre el colchón y el lado interior del moisés no debe superar los 2,54 cm.
- No usar más de un colchón en la cuna.
- Reemplace la barra de madera si estuviera estropeada, quebrada o suelta.
- El uso de piezas de recambio o accesorios que no sean los suministrados por STOKKE® puede afectar a la seguridad del niño.

Esta cuna sólo puede utilizarse si se siguen al pie de la letra las indicaciones que se adjuntan. No utilice esta cuna si el niño se puede bajar por sí solo o mide más de 90 cm (35"). No coloque cordones, tirantes u objetos similares dentro o cerca de la cuna, ya que podrían enrollarse al niño por el cuello. Asegúrese de que las barandillas estén adecuadamente trabadas cuando coloque al niño dentro de la cuna. El colchón para utilizar con la cuna no debe superar los 9,9 cm de espesor y debe medir al menos 121,92 cm de largo y 67,8 de ancho. Al empujarse contra los lados de la cuna, no debe quedar ningún espacio superior a los 2,54 cm entre el colchón y los bordes.

## **ADVERTENCIA – PELIGRO DE ASFIXIA.**

### Niños han sufrido asfixia:

- En los espacios entre el acolchado adicional y el borde del moisés,
- En la ropa de cama mullida,
- En los espacios entre los bordes y el colchón, cuando éste es demasiado pequeño o espeso. Únicamente utilice el colchón provisto por el fabricante. No agregue NUNCA una almohadilla, edredón u otro colchón para rellenar.

# CA LIRE TOUTES LES INSTRUCTIONS AVANT D'ASSEMBLER ET D'UTILISER LE LIT. CONSERVER LES INSTRUCTIONS POUR UNE UTILISATION ULTÉRIEURE.

## Instructions générales

- Lire attentivement les instructions suivantes et s'y conformer dans les moindres détails pour s'assurer que les dispositifs de sécurité du berceau et du lit d'enfant ne sont pas altérés. Conserver ces instructions ainsi que la clé à six pans pour un usage ultérieur. Resserrer toutes les vis 2 à 3 semaines après l'assemblage.
- Ne pas serrer à fond les vis du berceau ou du lit d'enfant en cours d'assemblage. N'y procéder qu'une fois l'unité entièrement montée, ce qui facilitera grandement l'assemblage.
- S'assurer que le berceau ou le lit d'enfant est placé sur une surface plane et stable. Une fois le montage terminé, vérifier et serrer toutes les pièces d'assemblage et les vis. Si des ferrures ou d'autres éléments sont desserrés, l'enfant risque d'avoir un membre pris entre deux barreaux. De même, certains détails vestimentaires tels que cordonnets, ruban de poupée, chaîne de cou, etc. risquent de s'accrocher à une pièce desserrée et provoquer l'étranglement de l'enfant.
- S'assurer qu'aucune pièce du berceau ou du lit d'enfant n'est desserrée afin d'éviter que l'enfant ne la porte à la bouche et s'étouffe en l'avalant. S'assurer qu'aucun élément sur lequel l'enfant puisse monter ou prendre appui ne se trouve dans le lit.
- Ne jamais placer le berceau ou le lit à proximité d'un feu nu ou d'une source de

chaleur telle qu'un chauffage électrique à résistance, réchaud à gaz, etc. en raison des risques d'incendie qu'ils présentent.

- Ne pas utiliser le berceau ou le lit si des pièces sont endommagées ou manquantes.
- Placer le berceau ou le lit à une bonne distance des rideaux, stores, éléments de chauffage et sources de courant.
- Pour assurer un environnement sécuritaire pour l'enfant, ne jamais le déposer dans son berceau ou dans son lit sans avoir vérifié que tous les éléments du berceau ou du lit sont en place et solidement fixés.

## Information sur votre nouveau matelas

- Les matelas comprimés retrouvent leur forme originale après 72 à 96 heures
- La mousse de polyuréthane dégage une odeur particulière qui peut rester pendant quelques jours suivant son déballage avant de disparaître. Aérer le matelas et le nettoyer avec un aspirateur afin d'éliminer l'odeur.
- La mousse réagit à la lumière ultraviolette du soleil et à l'oxygène dans l'air et virera au jaune avec le temps.
- Le matelas est conforme à la norme EN 16890:2017.

INSTRUCTIONS FOR USE: Hold the zipper end with one hand. As the zipper puller is sewn on inside, use the other hand to open the zipper from mesh side.

## NETTOYAGE ET ENTRETIEN du matelas STOKKE Sleepi®\*)

La toile à matelas : lavable à 60°C (140°F). Étirer pendant que la toile est encore humide. Ne pas sécher par culbutage. La mousse : peut être traitée à chaud à 100°C (212°F) et lavée/rincée à l'eau bouillante. Toujours laver le matelas lorsqu'il a été souillé par de l'urine, celle-ci favorisant le développement des champignons. Le bois : nettoyer avec un linge propre humide, puis absorber l'excédent d'eau avec un chiffon sec. On ne recommande pas l'utilisation de détergent. Noter que les couleurs peuvent être altérées si elles sont exposées au soleil. L'entretien quotidien : retirer le linge de literie tous les matins ; laisser le lit et le linge s'aérer et sécher.

\*) N'est pas valable pour d'autres fabricants – Voir les instructions qui leur sont propres.

## Derecho de reclamación y garantía extendida

De aplicación en todo el mundo en lo concerniente a la cama  
Stokke® Sleepi™, en adelante «el producto».

### DERECHO DE RECLAMACIÓN

El cliente tiene derecho a la reclamación de conformidad con la legislación aplicable de protección al consumidor en cualquier momento, teniendo en cuenta que la legislación puede variar en función del país de que se trate.

Por lo general, STOKKE AS no otorga derechos complementarios que supongan una mejora de los establecidos en la legislación aplicable en cualquier momento, aunque se hará referencia a la «Garantía Extendida» a continuación. Los derechos del consumidor bajo la legislación aplicable de protección al consumidor en cualquier momento, son complementarios a las garantías de la «Garantía Extendida» y no afectan a la misma.

### «GARANTÍA EXTENDIDA» DE STOKKE

Sin embargo, STOKKE AS, Parkgata 6, N-6003 Ålesund, Noruega, otorga una "garantía extendida" a clientes que registren su producto en nuestra base de datos de la garantía.

Esto se puede hacer a través de la página web [www.stokkewarranty.com](http://www.stokkewarranty.com). Tras el registro, se emite un certificado de garantía que se envía al cliente por correo electrónico o postal.

El registro en la Base de Datos de Garantías da derecho al propietario a la «Garantía Extendida» que consta de:

- Una garantía de siete años contra cualquier defecto de fabricación del producto.

La «Garantía Extendida» también es aplicable si el producto se ha recibido como regalo o si se ha comprado de segunda mano. Por lo tanto, cualquier persona que sea propietaria del producto podrá apelar a la «Garantía Extendida» en cualquier momento, siempre dentro del periodo de garantía y con la condición de la presentación del certificado de garantía por parte del propietario.

La «Garantía Extendida» de STOKKE depende del cumplimiento de las siguientes condiciones:

- Uso normal.
- El producto sólo podrá haberse utilizado para el fin destinado.
- El producto habrá tenido el mantenimiento necesario, siguiendo las instrucciones del manual de mantenimiento o instrucciones.
- Tras la apelación a la «Garantía Extendida», se presentará el certificado de garantía, junto con el recibo de compra original con sello que incluya la fecha de compra. Esto también será de aplicación para propietarios secundarios o posteriores.

- El producto deberá presentarse en su estado original, y, dentro de esta condición, las piezas utilizadas deberán ser sólo las que haya suministrado STOKKE cuyo fin es su uso en o junto con el producto. Cualquier modificación de esta condición requerirá el consentimiento previo por escrito de STOKKE®.
- El número de serie del producto no podrá haber sido destruido o retirado.

Las siguientes circunstancias no quedarán cubiertas por la «Garantía Extendida» de STOKKE:

- Problemas a causa de la evolución normal de las piezas que componen el producto (p. ej. cambios de color, así como desgaste).
- Problemas a causa de pequeñas variaciones en los materiales (p. ej. diferencias de color entre las piezas).
- Problemas a causa de la influencia de factores externos tales como la luz solar, temperatura, humedad, contaminación ambiental, etc.
- Daños a causa de accidentes o infortunios, por ejemplo por cualquier otro objeto que haya golpeado el producto o por cualquier persona que haya volcado el producto al chocar con él. Lo mismo ocurrirá en caso de que el producto se sobrecargue, por ejemplo por el peso que se coloque encima del mismo.

- Daños ocasionados en el producto por influencia externa, por ejemplo cuando el producto se envíe como equipaje.
- Daños indirectos, por ejemplo, daños causados a cualquier persona y/o a cualquier otro objeto u objetos.
- Si el producto se equipara con accesorios no suministrados por Stokke, prescribirá la «Garantía Extendida».
- La «Garantía Extendida» no será aplicable a accesorios que se hayan comprado o suministrado junto con el producto o en una fecha posterior.

Bajo la «Garantía Extendida», STOKKE hará lo siguiente:

- Reemplazar o, si STOKKE así lo prefiere, reparar la pieza defectuosa, o el producto íntegro (si fuera necesario) con la condición de que el producto se entregue a un distribuidor.
- Cubrir los costes normales de transporte para cualquier pieza o producto de reemplazo de STOKKE enviado al distribuidor del que se haya adquirido el producto. Ningún gasto de viaje por parte del comprador quedará cubierto bajo las condiciones de la garantía.
- Reservarse el derecho a sustituir, en el momento en el que se haga uso de la garantía, las piezas defectuosas con piezas que sean aproximadamente del mismo diseño.
- Reservarse el derecho a suministrar un producto sustitutivo en el caso en el que el

producto en cuestión ya no se esté fabricando en el momento en que se haga uso de la garantía. Tal producto será de una calidad y un valor equivalentes.

Cómo hacer uso de la «Garantía Extendida»:

Por lo general, todas las peticiones que se refieran a la «Garantía Extendida» se harán al distribuidor del que se haya comprado el producto. Estas peticiones se harán a la menor brevedad tras la detección de cualquier defecto, y se acompañarán del certificado de garantía así como del recibo original de compra.

La documentación o pruebas que confirmen el defecto de fabricación normalmente se presentarán al llevar el producto al distribuidor o, en otro caso, presentándolas al distribuidor o a un representante de ventas de STOKKE para su inspección.

El defecto se subsanará de acuerdo con las disposiciones anteriores si el distribuidor o un representante de ventas de STOKKE determinaran que el daño lo ha producido un defecto de fabricación.

Stokke® Sleepi™ Mini

## **AVERTISSEMENT**

**Le non-respect de ces mises en garde et directives pourrait causer des blessures graves ou la mort.**

- DANGER DE CHUTE — Pour éviter les chutes, n'utilisez pas ce produit lorsque l'enfant est capable de se mettre à quatre pattes ou s'il a atteint la limite de poids maximale de 15 kg, selon l'éventualité qui arrive en premier.
- Un enfant peut se retrouver coincer et mourir suite à l'installation improvisée d'un filet ou de couvertures au dessus du produit. Ne jamais installer ces produits pour confiner l'enfant dans le produit
- Le lit, barrières latérales comprises, doit être entièrement monté avant utilisation.
- Arrêter l'utilisation du berceau lorsque l'enfant est capable de se redresser seul et d'en sortir, ou dès qu'il atteint la taille de 90 cm (35").
- NE PAS placer le lit près d'une fenêtre ; l'enfant risque de s'étrangler en jouant avec les cordons des stores ou des rideaux.
- Si un drap est utilisé avec la housse, n'utiliser que celui fourni par le fabricant du berceau/de la bassinettes ou

une housse uniquement conçue pour les dimensions du matelas du berceau/de la bassinettes.

- Lorsque l'enfant est capable de s'asseoir, de s'agenouiller ou de se hisser sur ses jambes par ses propres moyens, cesser d'utiliser le berceau/la bassinettes.
- NE JAMAIS utiliser le lit en cas de pièces de fixation desserrées ou manquantes, de joints desserrés, de pièces cassées ou qui font défaut. Vérifier avant assemblage et régulièrement en cours d'utilisation. Pour obtenir des pièces de rechange contacter STOKKE. LLC. NE JAMAIS substituer les pièces.
- S'assurer que la distance entre le matelas et la partie supérieure du berceau n'est jamais inférieure à 20 cm (7.9"). L'utilisation d'un matelas d'origine STOKKE évite ce type de problème.
- Ne jamais laisser d'autres enfants jouer autour du berceau sans surveillance.
- S'assurer que les roues du berceau sont bien verrouillées lorsque l'enfant est dans son berceau.
- Pour réduire le risque de mort subite du nourrisson, les pédiatres recommandent que les bébés en santé soient placés sur le dos pour dormir, sauf indication contraire de votre médecin.
- Surveiller toujours votre enfant autant que possible afin de lui assurer une sécurité permanente. Une fois utilisé pour jouer, ne laisser jamais l'enfant sans surveillance.

- Utiliser SEULEMENT le matelas/ la housse fourni par le STOKKE et qui doit être d'au moins 29,6 pouces de longueur par 23 de largeur sans dépasser les 1 pouces d'épaisseur et avoir la forme du berceau.
- L'épaisseur du matelas utilisé avec ce berceau ne devrait pas faire plus de 2,54 cm et le matelas devrait mesurer au moins 75,18 cm de long et 58,42 cm de large. Lorsque le matelas est poussé contre le rebord du lit, il ne devrait pas y avoir plus de 2,54 cm d'écart entre celui-ci et les côtés du lit.
- Vérifiez que le matelas est bien ajusté. Il ne devrait pas faire plus de 1 In. d'épaisseur. L'écart maximum entre le matelas et le côté intérieur du berceau (ou bord) ne devrait pas dépasser 2,54 cm.
- N'utiliser qu'un seul matelas dans le lit.
- Remplacer le rail de protection s'il est endommagé, fissuré ou lâche.
- N'utilisez pas d'accessoires ou de pièces de rechange fabriqués par d'autres que STOKKE®; la sécurité de votre enfant pourrait en pâtir.

## **AVERTISSEMENT**

**Les cordons peuvent causer un étranglement !**

Ne pas placer des éléments à cordon autour du cou

d'un enfant, tels que des cordons de capuchon ou des cordons de suce. NE JAMAIS suspendre des cordons sur le berceau ou attacher des cordons aux jouets.

Ne pas utiliser ce berceau si les instructions ci-jointes ne peuvent être strictement respectées. Ne pas l'utiliser non plus si l'enfant est capable de grimper sans aide pour en sortir. Cordons, sangles ou autres objets similaires qui risqueraient de s'enrouler autour du cou de l'enfant ne doivent pas être déposés dans le berceau ou à proximité. L'épaisseur du matelas utilisé avec ce berceau ne doit pas excéder 8 cm (3.1"). L'épaisseur du matelas utilisé avec ce berceau ne devrait pas faire plus de 2,54 cm et le matelas devrait mesurer au moins 75,18 cm de long et 58,42 cm de large. Lorsque le matelas est poussé contre le rebord du lit, il ne devrait pas y avoir plus de 2,54 cm d'écart entre celui-ci et les côtés du lit.

# **AVERTISSEMENT RISQUE DE SUFFOCATION.**

## Des enfants se sont étouffés :

- Dans l'écart compris entre un matelas supplémentaire et le bord du berceau, et trop petit ou trop épais et le bord du produit.
- Sur des articles de literie mous
- Dans l'écart compris entre un matelas un couvre-lit ou un autre matelas en rembourrage.
- Utilisez seulement le matelas fourni par le fabricant. N'ajoutez JAMAIS un oreiller,

## **AVERTISSEMENT**

**Le non-respect de ces mises en garde et directives pourrait causer des blessures graves ou la mort.**

- Un enfant peut se retrouver coincer et mourir suite à l'installation improvisée d'un filet ou de couvertures au dessus du produit. Ne jamais installer ces produits pour confiner l'enfant dans le produit
- Le lit, barrières latérales comprises, doit être entièrement monté avant utilisation.
- Les cordons peuvent causer un étranglement ! NE PAS attacher de cordon à suce ou à capuchon autour du cou de l'enfant. NE JAMAIS suspendre de cordons au-dessus du lit. NE JAMAIS attacher de cordons aux jouets.
- Arrêter l'utilisation du berceau lorsque l'enfant est capable de se redresser seul et d'en sortir, ou dès qu'il atteint la taille de 90 cm (35").
- NE PAS placer le lit près d'une fenêtre ; l'enfant risque de s'étrangler en jouant avec les cordons des stores ou des rideaux.
- Lorsque l'enfant est capable de se mettre debout par ses propres moyens, régler le matelas sur la position la plus basse et retirer le tour de lit, les jouets de grande taille, et tout autre objet qui pourrait lui servir pour sortir de son lit.

- NE JAMAIS utiliser le lit en cas de pièces de fixation desserrées ou manquantes, de joints desserrés, de pièces cassées ou qui font défaut. Vérifier avant assemblage et régulièrement en cours d'utilisation. Pour obtenir des pièces de rechange contacter STOKKE. LLC. NE JAMAIS substituer les pièces.
- Pour prévenir tout risque d'étouffement, ne jamais utiliser de sac en plastique ou autre film plastique en guise de couvre-matelas à moins qu'il ne soit spécifiquement vendu à cet usage. Ils présentent un risque d'étouffement.
- Si les boiseries du lit ont besoin d'être rafraîchies, utiliser un produit non toxique, spécialement destiné au mobilier pour enfants.
- NE PAS utiliser de matelas à eau avec ce lit.
- La hauteur de la base du berceau est réglable sur 4 niveaux. S'assurer que la distance du matelas au bord supérieur du berceau n'est jamais inférieure à 30 cm (11,8") au niveau de réglage le plus élevé, et à 50,8 cm (20") au niveau le plus bas. L'utilisation d'un matelas de fabrication STOKKE évite ce type de problème.
- La plus basse position de la base du lit est toujours la plus sécuritaire. Dès que le bébé peut s'asseoir ou se redresser par ses propres moyens, la base du lit doit être abaissée.
- Tenir hors de la portée de l'enfant les médicaments, cordons, élastiques, petits jouets et autres menus objets comme des pièces de monnaie.

- Lorsque l'enfant monte et descend seul du lit, retirer l'une des deux barrières latérales et régler la base en position supérieure.
- Surveiller votre enfant autant que possible pour lui assurer une sécurité permanente. Une fois utilisé pour jouer, ne laisser jamais l'enfant sans surveillance.
- Pour réduire le risque de mort subite du nourrisson, les pédiatres recommandent que les bébés en santé soient placés sur leur dos pour dormir sauf indication contraire de votre médecin.
- Utiliser SEULEMENT le matelas/ la housse fourni par le fabricant et qui doit être d'au moins 120 cm de longueur par 67 cm de largeur sans dépasser les 9,9 cm d'épaisseur et avoir la forme du berceau.
- Le matelas utilisé avec ce berceau ne devrait pas être plus épais que 9,9 cm et devrait mesurer au moins 121,92 cm de long et 67,8 cm de large. Lorsque le matelas est poussé contre le rebord du lit, il ne devrait pas y avoir plus de 2,54 cm d'écart entre celui-ci et les côtés du lit.
- Vérifiez que le matelas est bien ajusté. Il ne devrait pas faire plus de 3,9 In. d'épaisseur. L'écart maximum entre le matelas et le côté intérieur du berceau (ou bord) ne devrait pas dépasser 2,54 cm.
- N'utiliser qu'un seul matelas dans le lit.

- Remplacer le rail de protection s'il est endommagé, fissuré ou lâche.
- N'utilisez pas d'accessoires ou de pièces de rechange fabriqués par d'autres que STOKKE®; la sécurité de votre enfant pourrait en pâtir.

Ne pas utiliser ce berceau si les instructions ci-jointes ne peuvent être strictement respectées. Ne pas l'utiliser non plus si l'enfant est capable de grimper sans aide pour en sortir. Cordons, sangles ou autres objets similaires qui risqueraient de s'enrouler autour du cou de l'enfant ne doivent pas être déposés dans le berceau ou à proximité. L'épaisseur du matelas utilisé avec ce berceau ne doit pas excéder 8 cm (3.1"). L'épaisseur du matelas utilisé avec ce berceau ne devrait pas faire plus de 2,54 cm et le matelas devrait mesurer au moins 75,18 cm de long et 58,42 cm de large. Lorsque le matelas est poussé contre le rebord du lit, il ne devrait pas y avoir plus de 2,54 cm d'écart entre celui-ci et les côtés du lit.

## **AVERTISSEMENT RISQUE DE SUFFOCATION.**

### Des enfants se sont étouffés :

- Dans l'écart compris entre un matelas supplémentaire et le bord du berceau, et
- Sur des articles de literie mous
- Dans l'écart compris entre un matelas trop petit ou trop épais et le bord du produit.
- Utilisez seulement le matelas fourni par le fabricant. N'ajoutez JAMAIS un oreiller, un couvre-lit ou un autre matelas en rembourrage.







STOKKE® **SLEEPi™**  
Design: Susanne Grønlund &  
Claus Hviid Knudsen

STOKKE AS  
PO. Box 707,  
N-6001 Ålesund, Norway

STOKKE LLC  
5 High Ridge Park, Suite #105  
CT 06905 Stamford, USA  
Call us: +1 877-978-6553

@stokkebaby



stokke.com