



Rosebud Tree House

user guide

142510

Early Learning Centre®
Watford WD24 6SH England.

0915

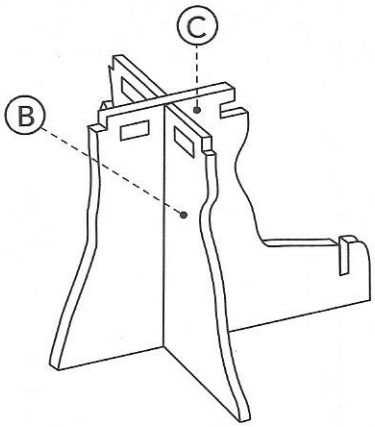
Customer Service Department
0371 231 3513

parts checklist

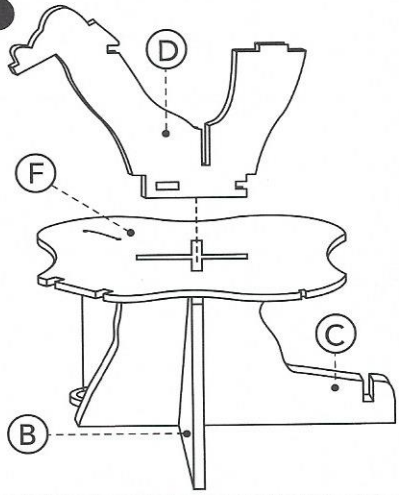
A x1 	B x1 	C x1 	
D x1 	E x1 	F x1 	
G x1 	H x1 	I x1 	J x1
			K x1
L x1 	M x1 	N x1 	P x4
		O x1 	Q x12
R x1 	S x2 	T x1 	U x1

assembly

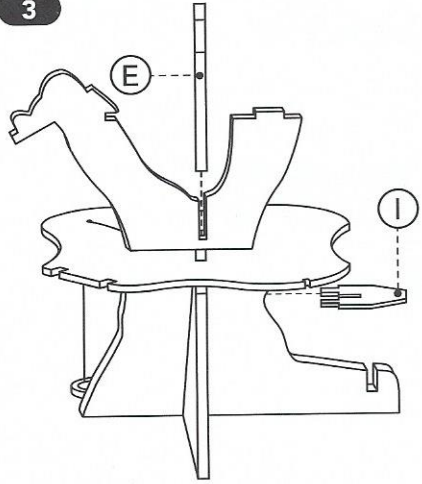
1



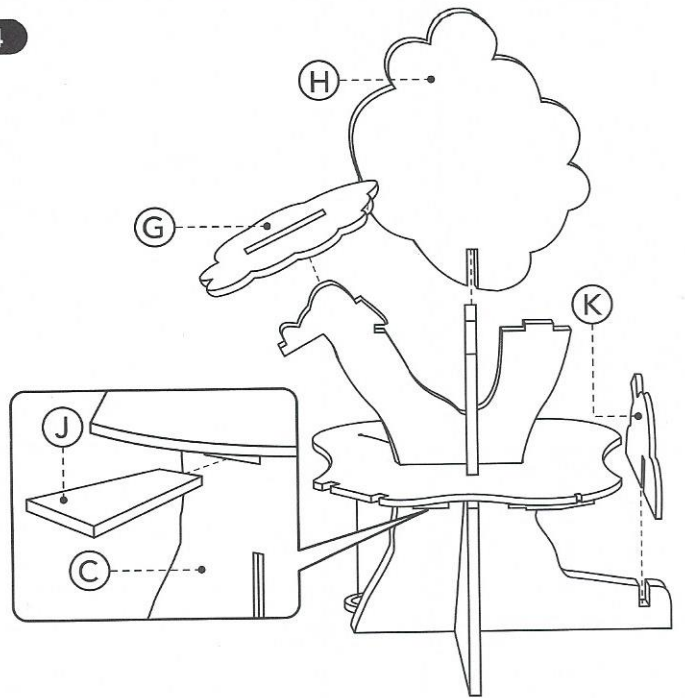
2



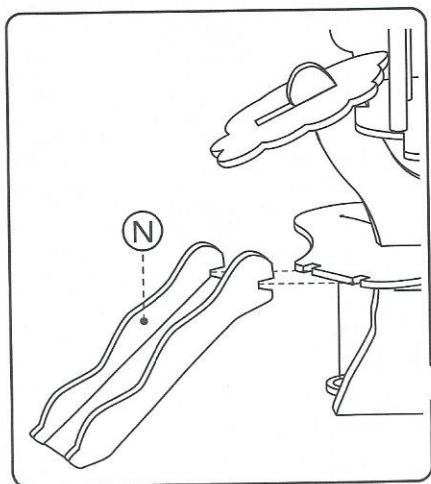
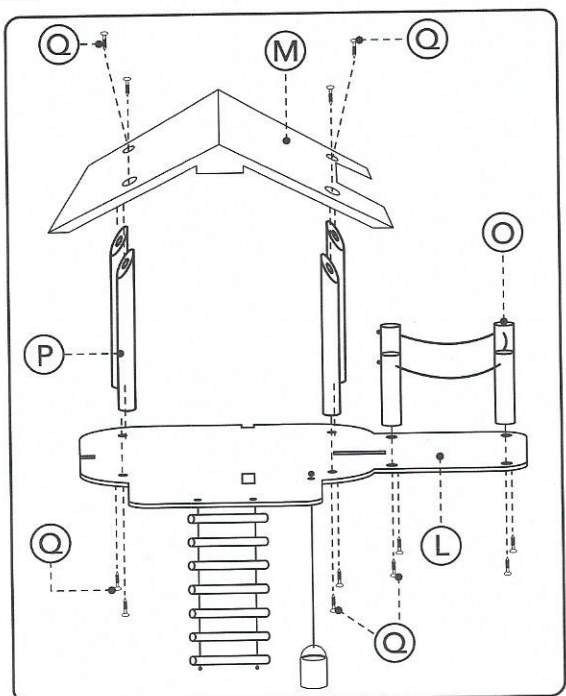
3



4



5



A

