

mixx™



nuna®

Designed
around your life



IMPORTANT!
KEEP THESE
INSTRUCTIONS FOR
FUTURE REFERENCE:
READ CAREFULLY

Contents

Product Information

Product Registration	4
Warranty	4
Contact	4

Child Usage Requirements

5

Warnings

6–9

Parts List

10

Product Set Up

12

Product Use

18

Accessories

30

Car Seat Ring Adapter

30

Cleaning and Maintenance

32

Product Information

Model Number: _____

Manufactured in (date): _____

Product Registration

Please fill in the above information. The model number and the manufactured in date are located on a label on the bottom of the stroller frame. Fill out the prepaid registration postcard attached to the product and mail it today.

To register your product please visit:

www.nunababy.com

Click on the “Register Gear” link on the homepage.

Warranty

We have purposely designed our high-quality products so that they can grow with both your child and your family. Because we stand by our product, our gear is covered by a custom warranty per product, starting from the day it was purchased. Please have the proof of purchase, model number and manufactured in date available when you contact us.

For warranty information please visit:

www.nunababy.com/warranty

Contact

For replacement parts, service, or additional warranty questions, please contact our customer service department.

In the USA: infousa@nunababy.com

www.nunababy.com

1.855.NUNA.USA

Child Usage Requirements

This stroller is suitable for use with children who meet the following requirements:

Weight: up to 50 lb (22.7 kg) maximum

Height: up to 45 in. (114.3 cm)

⚠️WARNING

Failure to follow these warnings and instructions could result in serious injury or death.

A child's safety is your responsibility. **NEVER** leave your child unattended.

To avoid any danger of suffocation, remove all plastic covers before using the stroller and destroy or keep away from babies and children!

Keep small parts away from children as they pose a choking hazard.

Discontinue using this stroller if it becomes damaged or broken.

Use original Nuna parts and accessories only.

Use of this stroller with a child weighing more than 50 lb (22.7 kg) or taller than 45 in. (114.3 cm) in height will cause excessive wear, and stress on the stroller, and could create an unstable condition. Use the stroller with only one child at a time.

To prevent a hazardous, unstable condition, do not place more than 10 lb (4.5 kg) in the storage basket before use.

To prevent a hazardous, unstable condition, do not place more than 1 lb (0.45 kg) in the storage pocket on the back of the seat.

Negotiate curbs and rough ground carefully. Repeated impact could cause damage to this stroller.

This stroller is to be used only at walking speed and is not intended for use while jogging, skating, etc.

The parking brake **MUST** be engaged when the stroller is stopped and when placing and removing child.

Overloading, incorrect folding, and using accessories other than those approved by Nuna, e.g. child seats, bag hooks, rain covers, buggy boards, etc., may damage or make this stroller unsafe.

Adding accessories such as purses, shopping bags, or parcels to the handle or canopy can cause the stroller to be unstable.

This stroller does not replace a crib or a bed. Should your child need to sleep, they should be placed in a crib or approved sleeping area based on your child's requirements.

Avoid serious injury from falling or sliding out. Always use seat belt. After fastening buckles, adjust belts to get a snug fit around your child.

Child may slip into leg openings and strangle. **NEVER** use in reclined carriage position unless the calf support is raised to cover the front opening and the fabric flaps are snapped to the side of the stroller seat.

AVOID FINGER ENTRAPMENT Use care when folding and unfolding the stroller. Be certain the

stroller is fully erected and latched before allowing your child near the stroller.

STRANGULATION HAZARD Do not place items with a string around your child's neck, suspend strings from the stroller, or attach strings to toys.

ALWAYS keep your child in view while in this stroller.

ALWAYS allow the fabric to dry naturally away from direct heat.

ALWAYS check that the attachments are correctly engaged.

DO NOT let your child play with this stroller.

DO NOT place any item on the canopy of this stroller.

DO NOT leave this stroller exposed in the vicinity of a strong source of heat i.e. a radiator or open fire or store this stroller in a damp place.

DO NOT make any changes or modifications to this stroller that are not specified in this manual.

DO NOT use storage basket as a child carrier.

NEVER use the stroller on stairs or escalators. You may suddenly lose control of the stroller or your child may fall out.

NEVER allow your child to stand on the footrest.

Car Seat Ring Adapter

Use the car seat ring adapter only with a Nuna PIPA series infant car seat in combination with a Nuna MIXX series stroller.

Read all instructions for the Nuna PIPA series infant car seat before use of this adapter.

Check that the adapter and the infant carrier are installed correctly and securely latched before every use.

ALWAYS make sure the child is properly harnessed in the infant carrier.

DO NOT exceed the maximum weight limit specified for the infant carrier.

DO NOT move the stroller and infant carrier assembly by the handle of the infant carrier.

DO NOT place any accessories on the stroller handle when using the adapter with the infant carrier, as the stroller may become unstable.

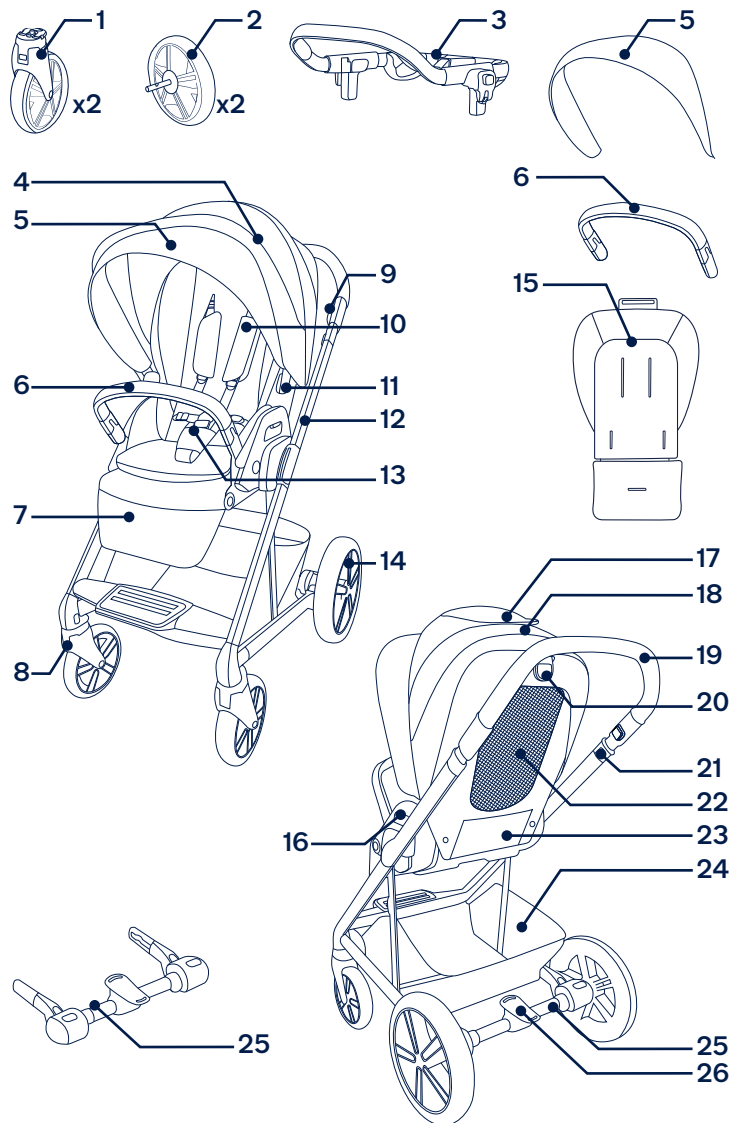
The adapter interface may present a pinching hazard. Ensure all fingers and appendages are clear of the adapter when attaching the infant carrier.

Parts List

Make sure all parts are available before assembly.
If any part is missing, please contact Nuna (see page 4 for information). No tools are required for assembly.

⚠ CHOKING HAZARD: Remove and immediately discard protective end caps from each wheel and wheel hub axle.

- | | |
|----------------------------|------------------------------|
| 1 Front Wheel (x2) | 14 Rear Wheel |
| 2 Rear Wheel (x2) | 15 Insert |
| 3 Car Seat Ring Adapter | 16 Seat Release Button |
| 4 Canopy | 17 Top Canopy Window |
| 5 Canopy Visor | 18 Back Canopy Window |
| 6 Arm Bar | 19 Stroller Handle |
| 7 Calf Support | 20 Recline Adjustment Button |
| 8 Front Wheel | 21 Folding Button |
| 9 Handle Adjustment Button | 22 Seat Ventilation |
| 10 Shoulder Harness Pads | 23 Storage Pocket |
| 11 Canopy Clips | 24 Storage Basket* |
| 12 Stroller Frame | 25 Brake Assembly |
| 13 Buckle and Crotch Cover | 26 Brake Lever |



*Basket cover available on some models

Product Set Up

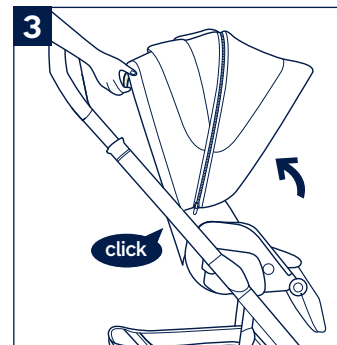
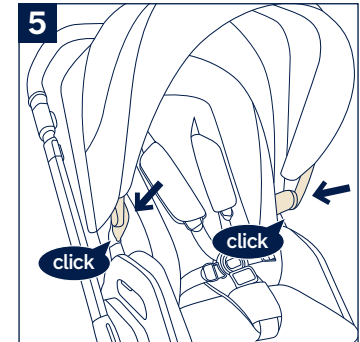
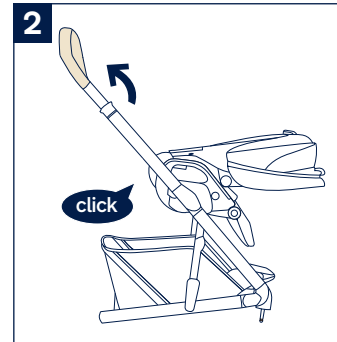
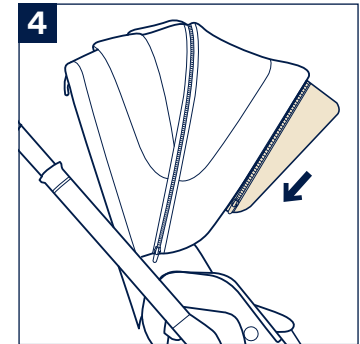
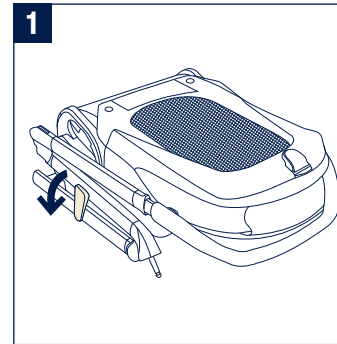
Open Stroller

- 1 - Pull the storage latch out.
- 2 - Rotate the handle to the rear of the stroller. A “click” sound means the stroller frame is open completely.
- 3 - Squeeze the recline adjustment button on the back of the seat and rotate the backrest to the upright position.

Check that the stroller is open completely before continuing.

Canopy

- 4 - Zip the canopy visor to the inside of the canopy.
- 5 - Insert the canopy clips into the canopy mounts on the sides of the stroller. A “click” sound means the canopy is assembled completely.



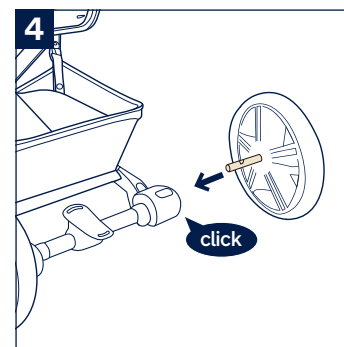
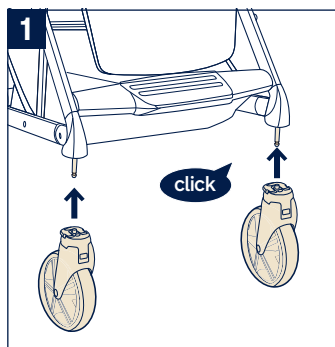
Front Wheels

1 - Insert the front wheel into the front leg. A “click” sound means the wheel is assembled completely.

Check the wheel is securely attached by pulling out.

Repeat on opposite side.

2 - To remove the front wheel, press the release button (1) and detach the front wheel from the front leg (2).

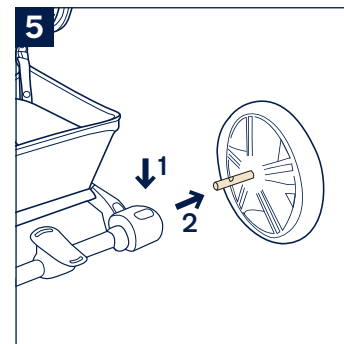
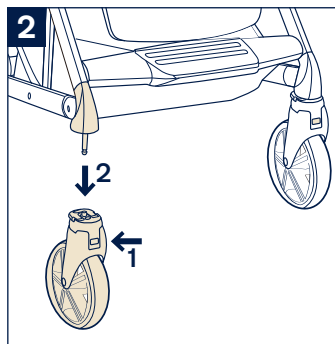


Brake Assembly

Make sure the brake lever is facing up before attaching the brake assembly to the frame.

3 - Push the brake assembly onto the rear leg tubes. A “click” sound means the brake assembly is attached.

Check that brake assembly is securely attached by pulling out.

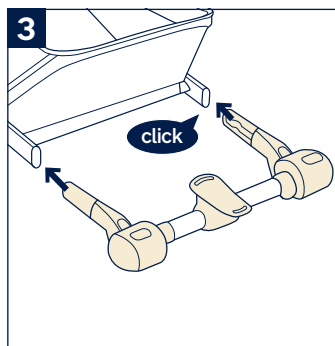


Rear Wheels

4 - Insert the rear wheel into the rear leg. A “click” sound means the rear wheel is assembled completely. Repeat on opposite side.

Check that the wheels are securely attached by pulling them out.

5 - To remove the rear wheel, press the release button (1) and detach the rear wheel from the rear leg (2).



Storage Basket

- 1 - Wrap the basket flap around the rear frame and fasten the 3 snaps under the basket.
- 2 - To access the storage basket, unfasten the zipper.*

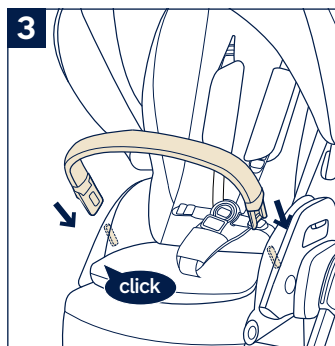
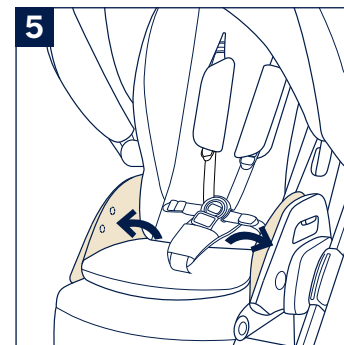
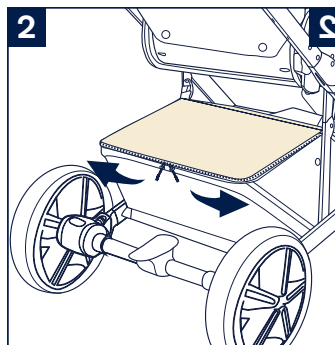
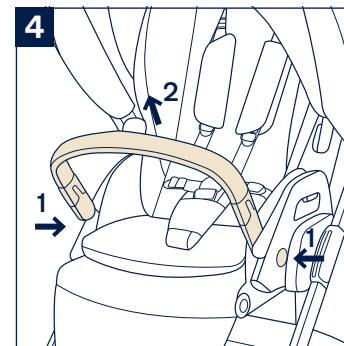
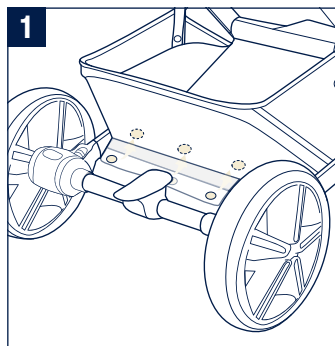
Arm Bar

- ⚠** Always secure the child with the harness. The arm bar is not a restraint device.
- 3 - Align the arm bar ends with the arm bar mounts, and insert until it clicks into place. A “click” sound means the arm bar is assembled completely.
 - 4 - To remove the arm bar, press the arm bar release buttons (1) and lift the arm bar up. (2)
 - 5 - Fasten the inner snaps of the seat pad to the inside of the seating area as shown.

Check Set Up

- Stroller frame is latched open
- Front wheels, brake assembly and rear wheels securely attached
- Canopy mount attached to stroller frame and canopy zipped to seat pad
- Basket is securely attached
- Arm bar is securely attached

*On models with basket cover



Product Use

⚠ The parking brake **MUST** be engaged when the stroller is stopped and when placing and removing child.

Securing Your Child

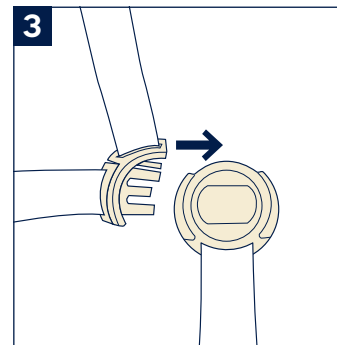
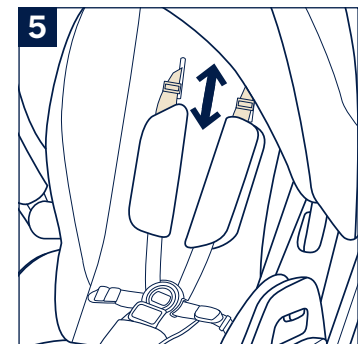
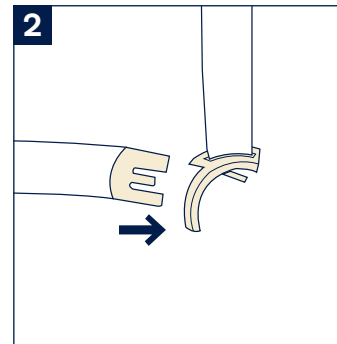
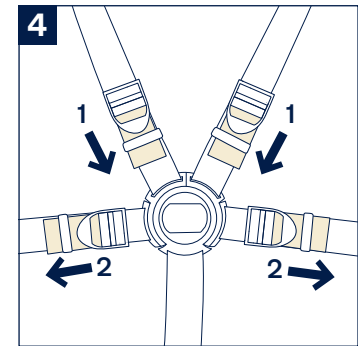
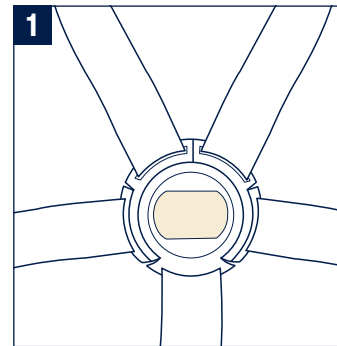
⚠ Avoid serious injury from falling or sliding out. Always use the seat belt.

Make sure the harness is adjusted properly and your child is snugly secured. The space between the child and the shoulder harness should be about the thickness of one finger. **DO NOT** cross the shoulder belts. This will cause pressure on your child's neck.

- 1 - Push the center button on the buckle to release the buckle latch, remove the clips and place your child in the stroller.
- 2 - Connect the shoulder buckle and hip buckle.
- 3 - Secure the shoulder buckle and hip buckle to the buckle latch and repeat on the opposite side.
- 4 - Fit the harness snugly to your child by sliding the lower adjustment buckles (located under the harness covers) up (1). Then pull the waist adjustment straps out (2).

Shoulder Harness Position

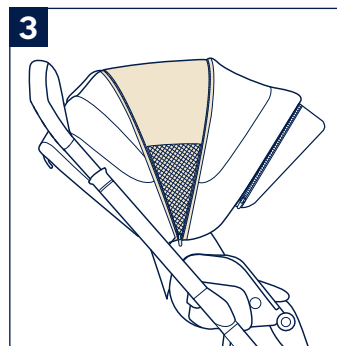
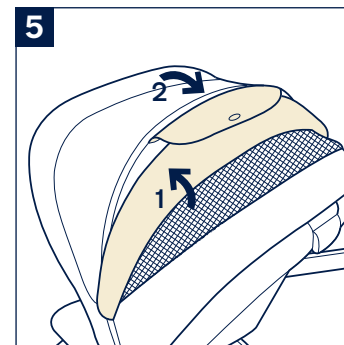
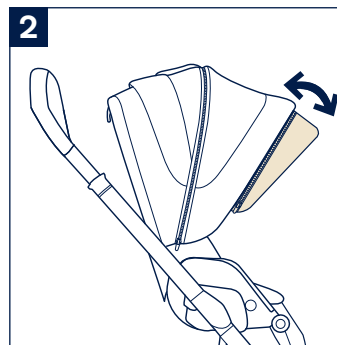
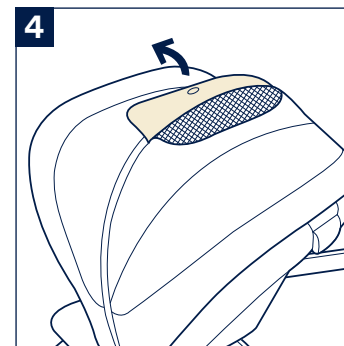
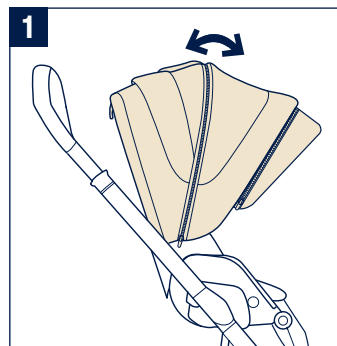
- 5 - The upper shoulder harness buckles can be moved up and down for added adjustment.



Canopy

- 1 - To open the canopy, pull the canopy toward the front of the seat. To close the canopy, push it back.
- 2 - Position the canopy visor forward or backward as needed. When not in use, fold the canopy visor under the canopy.
- 3 - Open the zipper on the canopy for extra shade and ventilation.
- 4 - For ventilation, flip up the top canopy window cover.
- 5 - For additional ventilation, flip up the back canopy window cover (1) and fold down the top canopy window cover (2).

The canopy is NOT removable.



Front Swivel Locks

It is recommended to use the front swivel locks on uneven surfaces.

- 1 - Squeeze (1) and pull out the front swivel lock (2) to lock the front wheel forward facing. You may need to move the wheel to get it to lock.
- 2 - Push in the front swivel lock to unlock.

Brake

- 3 - To lock the rear wheels, step down on the red area on the brake lever.
 - 4 - To unlock the rear wheels, step down on the green area on the brake lever.
- ⚠** Always apply the brake when the stroller is stopped. Push the stroller slightly to ensure the brake is engaged.

Handle

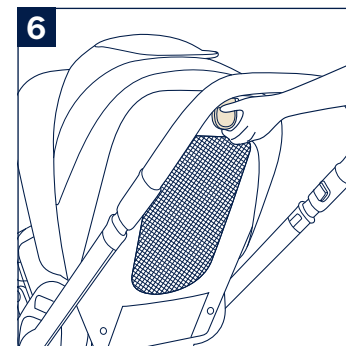
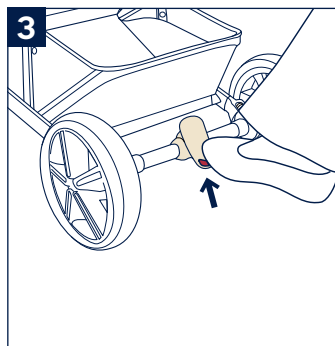
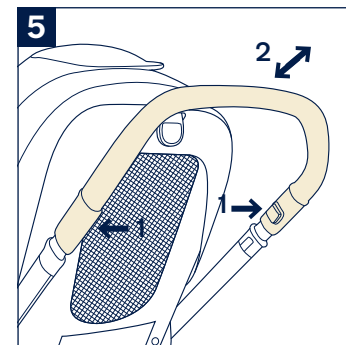
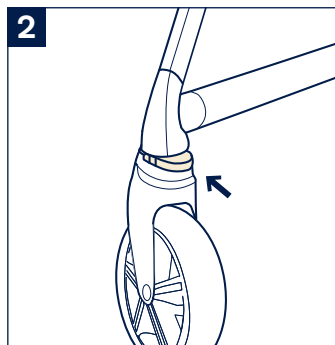
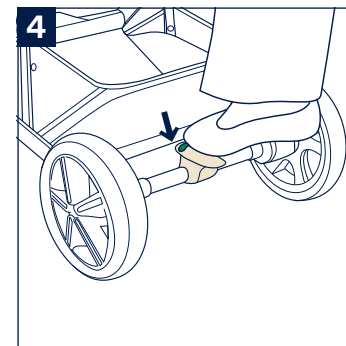
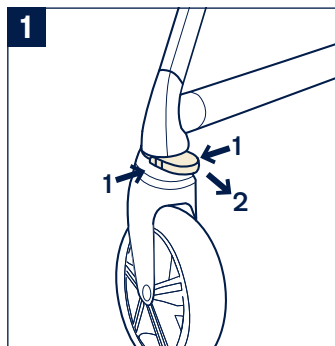
The handle has 3 positions.

- 5 - To adjust the height of the handle, press the handle adjustment buttons (1) and pull the handle up or down (2).

Recline Adjustment

There are 5 recline positions for the backrest.

- 6 - To raise or lower the backrest, squeeze the recline adjustment button, and pull the seat up or down.



Calf Support

The calf support has 3 use positions.

- 1 - To raise the calf support, lift up.
- 2 - To lower the calf support, press the adjustment buttons on the sides (1), and push down (2).

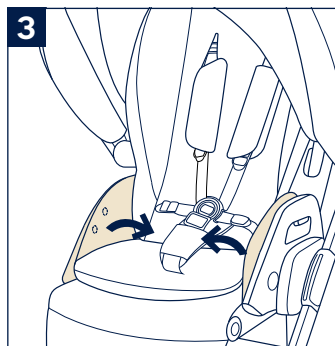
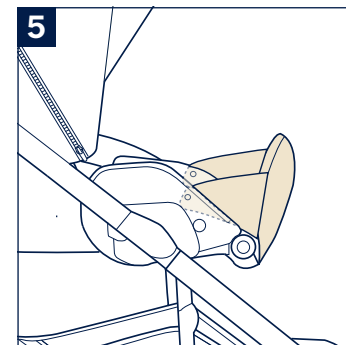
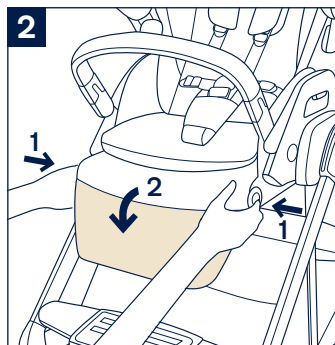
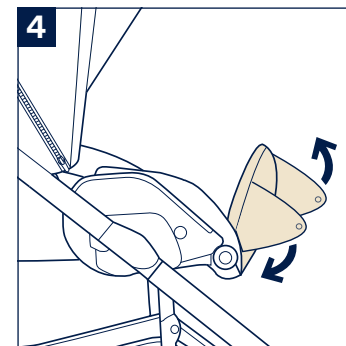
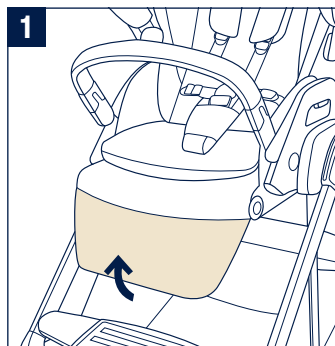
Full Recline

⚠ Child may slip into leg openings and strangle.

NEVER use in reclined carriage position unless the calf support is raised to cover the front opening and the fabric flaps are snapped to the side of the stroller seat.

DO NOT use enclosure with an older child that can push up on hands and knees or crawl out.

- 3 - Remove the arm bar before using the full recline. Unfasten the front snaps from inside the seating area on both sides of the seat.
- 4 - Fully recline the seat, rotate the footrest to the upright position and unfasten the flaps underneath the calf support.
- 5 - Fasten the flaps to the front snaps on the inside of the seating area on both sides of the seat.



Insert

1 - To assemble the insert, place the insert over the seat and thread the shoulder, waist and crotch harnesses through their respective slots.

2 - Attach the hook and loop fasteners.

⚠ DO NOT remove the backrest tube.

Storage Pocket

3 - Use the pocket on the seat back for lightweight storage.

⚠ To prevent a hazardous, unstable condition, **DO NOT** place more than 1 lb (0.45 kg) of items in the storage pocket.

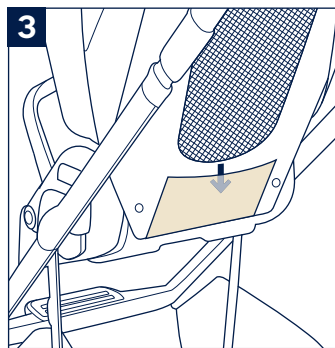
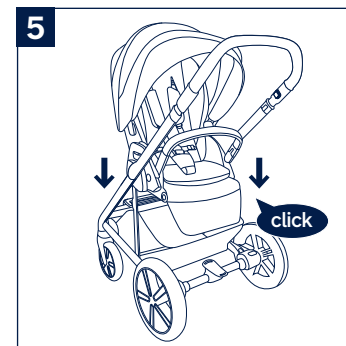
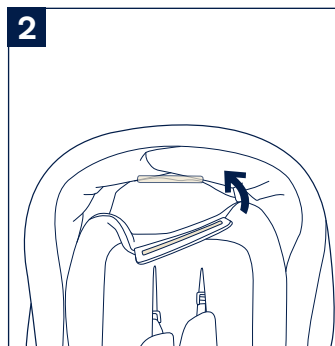
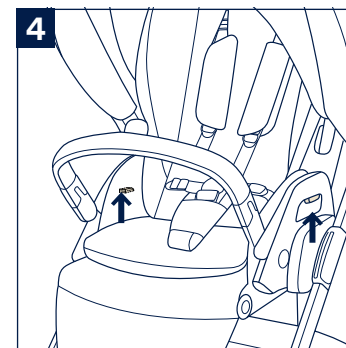
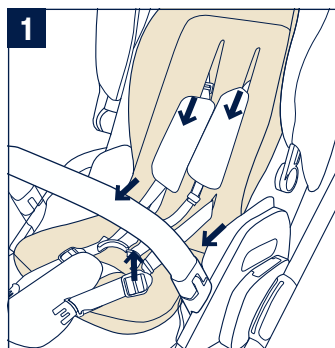
Reverse Seat

The seat can be used rear or forward facing.

4 - Squeeze the seat release buttons and lift the seat up.

5 - Turn the seat in the opposite direction and place on the seat mounts until it clicks into place. A “click” sound means the seat is attached.

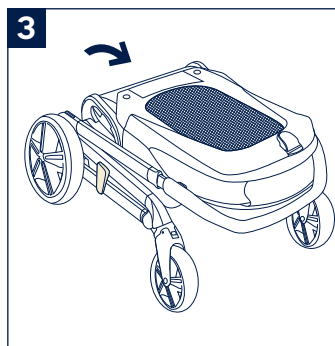
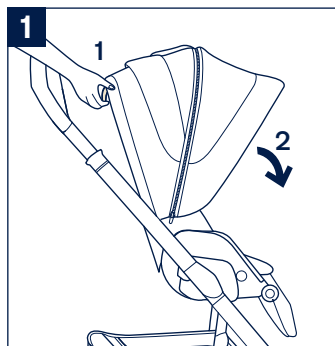
Check to make sure seat is securely attached by pulling up on it.



Fold

Before folding, push the canopy to the rear of the stroller.

- 1 - Squeeze the recline adjustment button on the back of the seat (1) and rotate the backrest to the stored position (2).
- 2 - Pull up on the folding buttons (1) and push the stroller forward to fold (2).
- 3 - The storage latch will engage automatically when the stroller is completely folded.



Accessories

Car Seat Ring Adapter

- 1** - Slide the two pieces of the adapter together until you hear a click. The “click” sound means the adapter is connected.

Pull outwards on either end to ensure the attachment is secure.

- 2** - To attach the adapter to the MIXX series stroller, place the adapter onto the seat mounts until it clicks into place. A “click” sound means the adapter is attached.

- 3** - To attach the infant carrier, place the infant carrier onto the adapter and press down.

Listen for a “click” to ensure it is locked.

⚠ Pull up on the infant carrier to check that it is securely locked to the adapter and that the adapter is securely locked to the stroller.

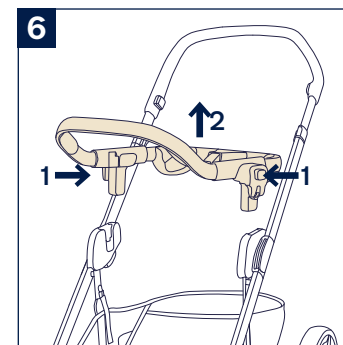
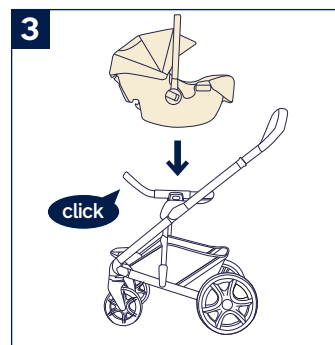
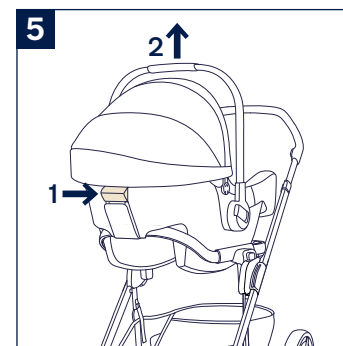
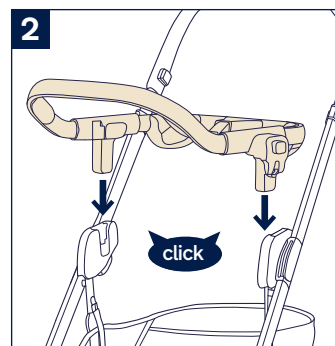
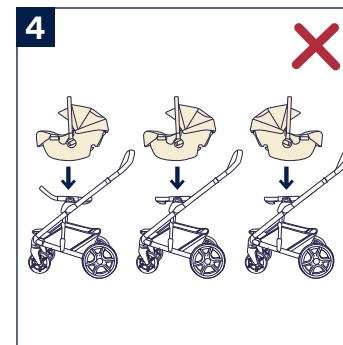
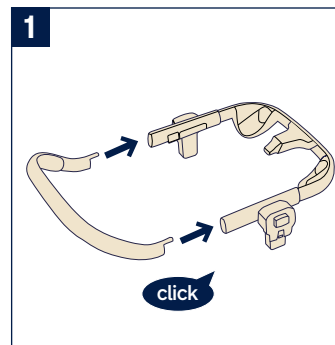
- 4** - **DO NOT** attach the infant carrier in any of these configurations.

- 5** - To release the infant carrier, squeeze the release button located on the back of the infant carrier (1), and pull up on the infant carrier (2).

- 6** - To remove the adapter, press the adapter release buttons on both sides (1) and then lift up the adapter (2).

⚠ See PIPA series instruction manual for proper usage of the infant carrier.

Remove the infant carrier before folding.



Cleaning and Maintenance

Clean the frame, plastic parts, and fabric with a damp cloth, but do not use abrasives or bleach. Do not use silicon lubricants as they will attract dirt and grime. Do not store your stroller in a damp place.

Clean the stroller wheels regularly with water and remove any dirt.

Clean the adapter with a damp cloth and a mild detergent and dry thoroughly. Do not use abrasives.

To ensure long-lasting use, wipe off this product with a soft, absorbent cloth after using it in rainy weather.

Refer to the care label attached to the fabric for washing and drying instructions.

It is normal for fabric to color from sunlight and to show wear and tear after a long period of use, even when used normally.

For reasons of safety, only use original Nuna parts.

Check regularly if everything functions properly. If any parts are torn, broken, or missing, stop using this product.



Nuna Baby Essentials, Inc.

70 Thousand Oaks Blvd. | Morgantown, PA 19543

1.855.NUNA.USA | nunababy.com