

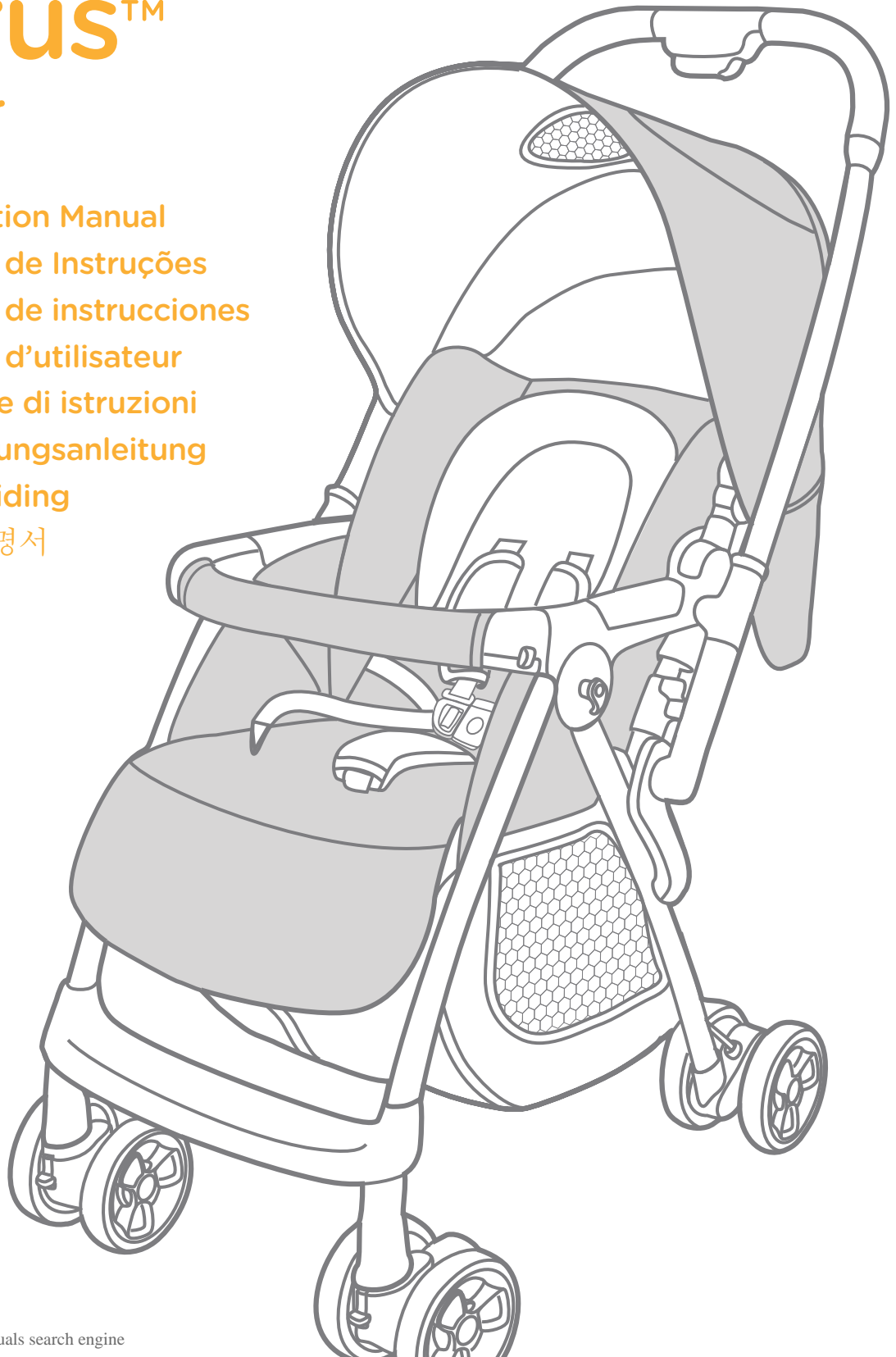
Joie™

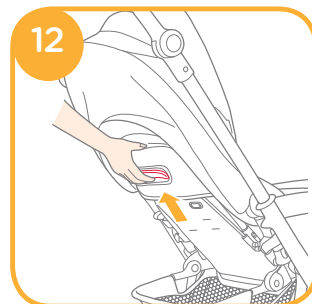
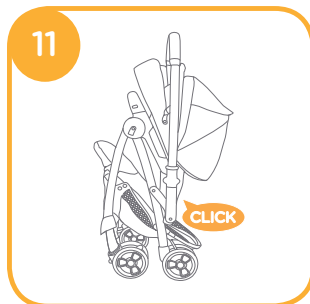
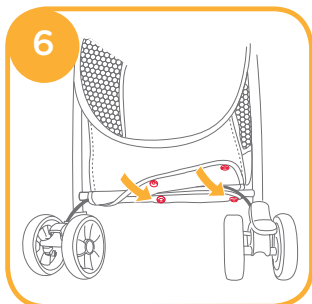
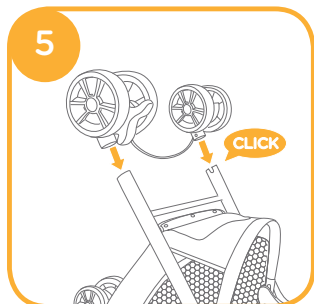
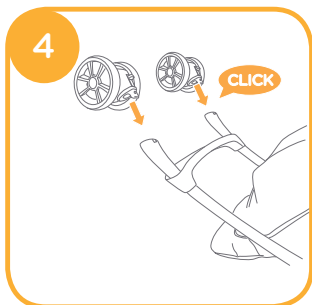
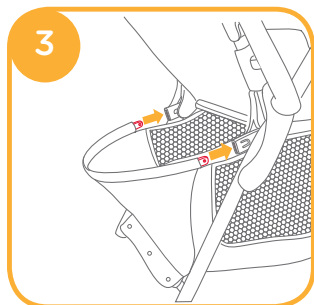
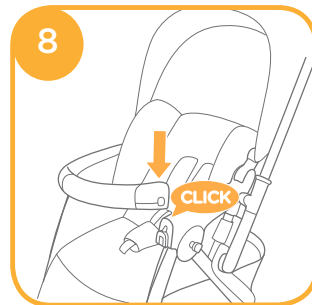
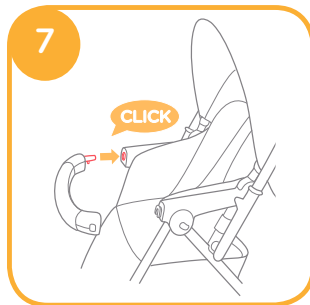
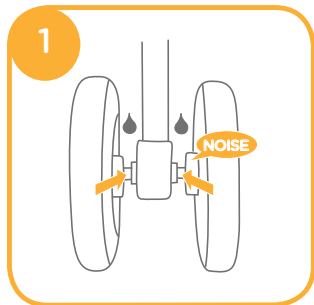
birth to 15kg/0-36 months

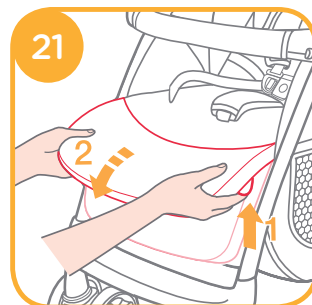
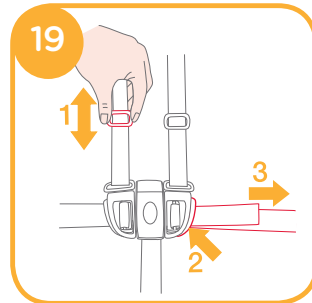
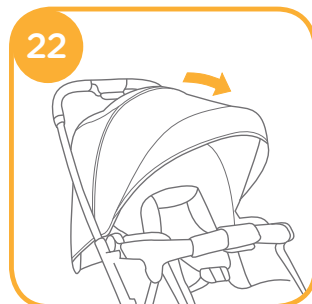
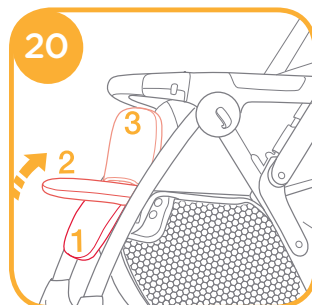
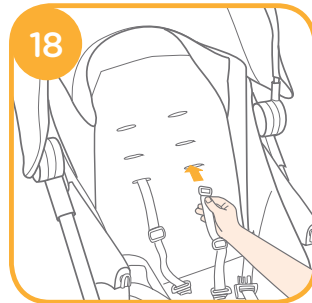
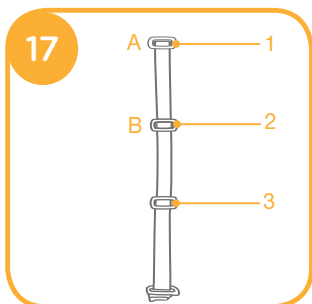
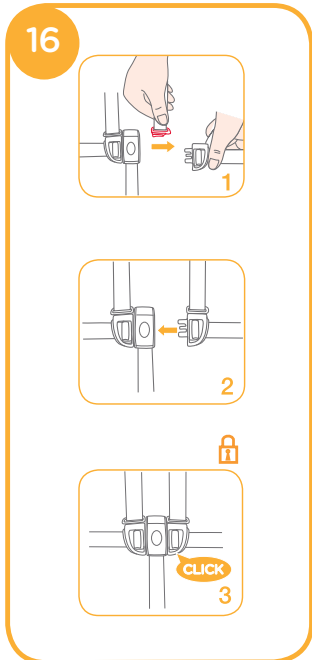
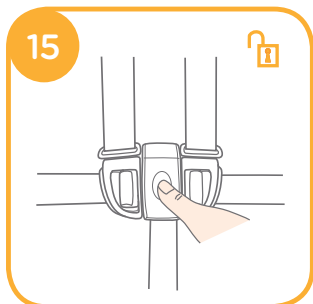
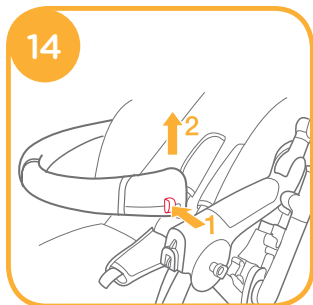
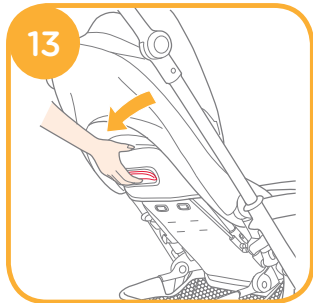
mirus™

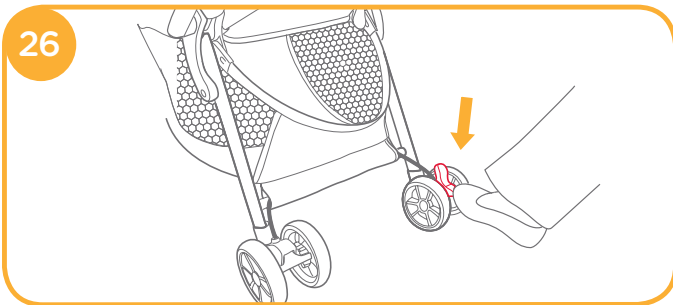
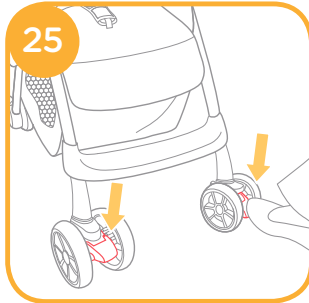
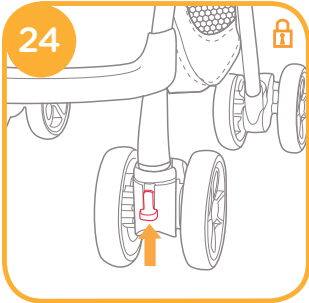
stroller

- GB Instruction Manual
- PT Manual de Instruções
- ES Manual de instrucciones
- FR Manuel d'utilisateur
- IT Manuale di istruzioni
- DE Bedienungsanleitung
- NL Handleiding
- KO 사용 설명서

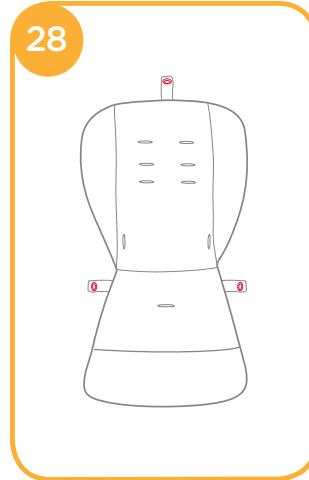
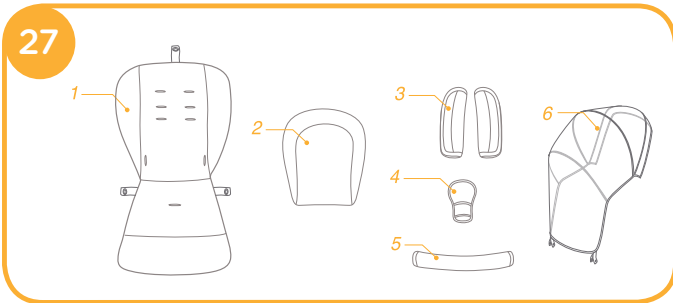








Accessories (not included in purchase)



GB Welcome to Joie™

Congratulations on becoming part of the Joie family. We are so excited to be part of your journey with your little one. While traveling with the Joie MIRUS™, you are using a high quality, fully certified stroller, approved to European safety standards EN 1888-2012. This product is suitable for use with children weighing under 15kg. Please carefully read this manual and follow each step to ensure a comfortable ride and best protection for your child.

Please keep the Instruction Manual handy for future reference.

Visit us at joiebaby.com to download manuals and see more exciting Joie products.

Contents

| | |
|--------------------------------|-----------|
| Figures | 1-6 |
| Warning | 9 |
| Stroller Assembly | 10 |
| Open Stroller | 10 |
| Assemble Storage Basket | 10 |
| Assemble Front Wheels | 10 |
| Assemble Rear Wheels | 10 |
| Assemble Armbar | 10 |
| Stroller Operation | 11 |
| Fold Stroller | 11 |
| Adjust Recline | 11 |
| Use Armbar | 11 |
| Use Buckle | 11 |
| Use Shoulder & Waist Harnesses | 11 |
| Adjust Calf Support | 12 |
| Use Hood | 12 |
| Use Hood Window | 12 |
| Switch Handle Direction | 12 |
| Use Front Swivel Lock | 12 |
| Use Brake | 12 |
| Use Accessories | 13 |
| Care and Maintenance | 13 |

Emergency

In case of emergency or accident, it is most important to have your child taken care of with first aid and medical treatment immediately.

Product Information

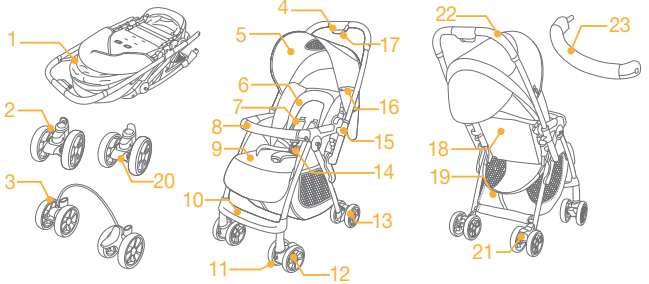
Read all the instructions in this manual before using this product. If you have any further questions, please consult the retailer. Some features may vary depending on model.

| | | |
|---------------------|--------------------------------------------------------|--------------------------------------------------------|
| Product | Mirus Stroller | Rain Cover |
| Suitable for | Child weighing under 15kg | Child weighing under 15kg |
| Materials | Plastics, metal, fabrics | PVC, fabrics |
| Patent No. | Patents pending | Patents pending |
| Made in | China | China |
| Brand Name | Joie | Joie |
| Website | www.joiebaby.com | www.joiebaby.com |
| Manufacturer | Joie Children's Products (UK) Limited | Joie Children's Products (UK) Limited |

Parts List

Make sure all parts are available before assembly. If any part is missing, please contact local distributor. No tools are required for assembly.

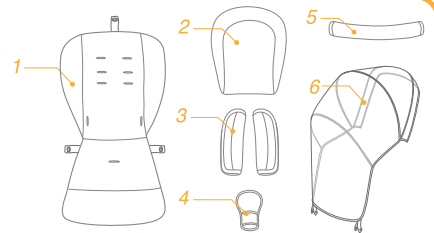
| | | | |
|------------------------|--------------------------|----------------------|----------------------|
| 1 Stroller | 7 Shoulder Harness Cover | 13 Rear Wheel | 20 Front Break Lever |
| 2 Front Wheels | 8 Armbar | 14 3/5 Point Buckle | 21 Rear Brake Lever |
| 3 Rear Wheels | 9 Seat Pad | 15 Reversible Slider | 22 Handle |
| 4 One-Hand-Fold Button | 10 Footrest | 16 Hood Stretcher | 23 Armbar |
| 5 Hood | 11 Front Swivel Lock | 17 Secondary Lock | |
| 6 Headrest | 12 Front Wheel | 18 Backrest Adjuster | |
| | | 19 Storage Basket | |



Accessories

(Non-included)

- 1 Seat Pad
- 2 Head Support
- 3 Shoulder Harness Cover
- 4 Crotch Harness Cover
- 5 Armbar Cover
- 6 Rain Cover



WARNING

- ! **WARNING** Always use the crotch combination with the waist belt. It is suggested that the shoulder harnesses be used as well.
- ! **WARNING** Ensure that all locking devices are engaged before use.
- ! **WARNING** Check that the pram body or seat unit attachment devices are correctly engaged before use.
- ! **WARNING** Do not let your child play with this product.
- ! Adult assembly required.
- ! Use of the stroller with a child weighing more than 15kg will cause damage to the stroller.
- ! To prevent a hazardous, unstable condition, do not place more than 4.5kg in the storage basket.
- ! Never leave child unattended. Always keep child in view while in stroller.
- ! Use the stroller with only one child at a time. Never place purses, shopping bags, parcels or accessory items on the handle or hood.
- ! Overloading, folding incorrectly, or using component parts from other manufacturers may cause the stroller to be damaged, broken or unsafe. Do read the instruction manual carefully.
- ! Please read all the instructions in this manual before using the product. Please save instruction manual for future use. Failure to follow these warnings and instructions may result in serious injury or death.
- ! Safety belts and restraint system must be used correctly.
- ! Make sure your child's body is clear from the moving parts when adjusting the stroller.
- ! Child may slip into leg openings and be strangled if the harness is not used.
- ! Never use stroller on stairs or escalators.
- ! Do not place any item that may do harm to the baby and stroller in the parent tray.
- ! Keep away from high temperature objects, liquids, and electronics.
- ! Never allow your child to stand on the stroller or sit in the stroller with head toward front of stroller.
- ! Never place the stroller on roads, slopes or dangerous areas.
- ! Do make sure all parts are assembled and fastened properly before using the stroller.
- ! To avoid strangulation, do not place items with a string around your child's neck, suspend strings from this product, or attach strings to toys.
- ! To prevent tipping do not put anything on the handle.
- ! Do not lift stroller while child is in stroller.
- ! Do not use storage basket as a child carrier.
- ! To prevent tipping, never let child climb the stroller. Always lift the child in and out of the stroller.
- ! To avoid finger entrapment, use care when folding and unfolding the stroller.
- ! Be sure the stroller is fully open or folded before allowing child near the stroller.
- ! To ensure your child's safety, please make sure all mechanisms are fixed before using the stroller.
- ! To avoid strangulation, do make sure your child is clear from the hood.
- ! Always engage the brakes when parking the stroller.
- ! Discontinue using stroller if it is damaged or broken.
- ! Stroller to be used only at walking speed. This product is not intended for use while jogging.
- ! To avoid suffocation, remove plastic bag and packaging materials before using this product. The plastic bag and packaging materials should then be kept away from babies and children.

- ! This product is not suitable for running or skating.
- ! Pushchair designed to be used from birth shall recommend the use of the most reclined position for new born babies.
- ! For car seats used in conjunction with a chassis, this vehicle does not replace a cot or a bed. Should your child need to sleep, then it should be placed in a suitable pram body, cot, or bed.
- ! The parking device shall be engaged when placing and removing children.

Stroller Assembly

Please read all the instructions in this manual before assembling and using this product.

Open Stroller

Push secondary lock **2** - **1** and squeeze one-hand-fold button. **2** - **2** Meanwhile, pull the stroller backward to open. Latches should click into place.

- ! Check that the stroller is completely open before continuing.

Assemble Storage Basket

Insert storage basket plastic ends into the corresponding openings on the back of the stroller. **3**

Assemble Front Wheels

Assemble front wheels to front legs. Check that wheels are securely attached by pulling on wheel assemblies. **4**

The front wheels can be disassembled by pressing the snap buttons.

Assemble Rear Wheels

Assemble rear wheels to rear legs. Check that wheels are securely attached by pulling on wheel assemblies. **5**

Wrap the storage basket around frame and brake axle, and then snap into place. **6**

The rear wheels can be disassembled by pressing the snap buttons.

Assemble Armbar

Align the axle with the hole in the side armrest, then insert to assemble with a "click." **7**

Align the other end of the armbar with matching component, and then push down to lock. **8**

The completely assembled stroller is shown as **9**.

Stroller Operation

Fold Stroller

Before folding, pull up hood.

Push secondary lock 10 - 1 and squeeze one-hand-fold button 10 - 2. Push the stroller forward to fold.

A click sound means the stroller is folded completely. 11

! The stroller can not be folded when the handle is on the front.

Adjust Recline

Recline Backrest

There are 4 angles for the backrest.

To recline the backrest, squeeze the recline handle on the back of the seat 12, pull down on the backrest. 13

To raise the backrest, push up.

! Make sure the recline is set properly for use.

Use Armbar

Press armbar release button 14 - 1, and then pull up the armbar 14 - 2. Align the armbar end with matching component, and then push down to lock.

Tip Armbar can be open for easy seating and unseating of child.

Use Buckle

Release Buckle

Press the center button to release the buckle. 15

Lock Buckle

Match the waist belt buckle with the shoulder buckle 16 - 1, and click into the center buckle. 16 - 2

A click sound means the buckle is locked completely. 16 - 3

! To avoid serious injury from falling or sliding out, always secure your child with harness.

! Make sure your child is snugly secured. The space between the child and the shoulder harness is about the thickness of one hand.

! Do not cross the shoulder belts. This will cause pressure on child's neck.

Use Shoulder & Waist Harnesses

! In order to protect your child from falling out, after your child is placed into the seat, check whether the shoulder and waist harnesses are at proper height and length.

17 - 1 Shoulder harness anchor A

17 - 2 Shoulder harness anchor B

17 - 3 Slide adjuster

For larger child, use shoulder harness anchor A and the highest shoulder slots. For smaller child, use shoulder harness anchor B and the lowest shoulder slots.

Use either shoulder harness anchor in the slots that are closest to child's shoulder height. 18

Use slide adjuster to change the harness length. 19 - 1

Press the button 19 - 2, while pulling the waist harness to proper length. 19 - 3

Tip For larger child, use the highest shoulder slots. For smaller child, use the lowest shoulder slots.

Adjust Calf Support

There are three reclining angles, 1-3 20, for adjustment.

To raise calf support, push the calf support from position 1 to position 3. 20

To lower calf support, press the adjustment buttons on both sides of the calf support 21 - 1, and rotate the calf support downwards. 21 - 2

Use Hood

To open the hood, pull hood toward front. 22

To fold the hood, push hood toward back.

Use Hood Window

There is one window on the hood.

To open the window, pull back hood flap.

Switch Handle Direction

To change handle position, pull up the left and right reversible sliders 23 - 1 and move the handle to the other side until it clicks into place. 23 - 2

! Make sure child's hands and legs are clear from the armrest when switching the handle.

Use Front Swivel Lock

Pull up the front swivel locks to maintain the moving direction. 24

Tip It is recommended to use swivel lock on uneven surfaces.

Use Brake

To lock front wheels, step on the brake levers. 25 Lift the brake levers to release wheels.

To lock rear wheels, step on the brake lever. 25 Lift the brake lever to release wheels.

Tip The brake must be engaged when placing and removing children.

Tip Always apply brake when stroller is in stopped position.

Tip To ensure brake is fully on, gently rock the stroller backwards and forwards before releasing the handle.

! **WARNING** To prevent potential hazard, always make sure the parking device for all swiveling wheels are engaged and the swiveling wheels are locked when you use the handle in reversed position.

Use Accessories

- | | | | |
|------|------------------------|------|----------------------|
| 27-1 | Seat Pad | 27-2 | Head Support |
| 27-3 | Shoulder Harness Cover | 27-4 | Crotch Harness Cover |
| 27-5 | Armbar Cover | 27-6 | Rain Cover |

Accessories may be sold separately or may not be available depending on region.

Use Seat Pad

The snap 26 on the back of the stroller should be detached when removing the seat pad.

Tip Use seat pad in cold weather to provide a comfortable seating area. 26

Use Rain Cover

To assemble the rain cover, place it over the stroller, and then fasten the 2 pairs of snaps at the bottom of the rain cover. 30

! Before using the rain cover, please make sure the backrest has been adjusted to the lowest position and the infant car seat has been fastened.

! When using the rain cover, please always check its ventilation.

! When not in use, please check that the rain cover has been cleaned and dried before folding.

! If the rain cover is on the stroller, always remove rain cover to prevent ripping and tearing.

! Do not place your child into the stroller assembled with rain cover during hot weather.

Care and Maintenance

1. Removable seat pad may be washed in cold water and drip-dried. No bleach.
2. To clean stroller frame, use only household soap and warm water. No bleach or detergent.
3. From time to time check your stroller for loose screws, worn parts, torn material or stitching. Replace or repair the parts as needed.
4. Excessive exposure to sun or heat could cause fading or warping of parts.
5. If stroller becomes wet, open hood and allow to dry thoroughly before storing.
6. If wheels squeak, use a light oil (e.g., Silicon Spray, antirust oil, or sewing machine oil). It is important to get the oil into the axle and wheel assembly. 1
7. When using your stroller at the beach, completely clean your stroller afterward to remove sand and salt from mechanisms and wheel assemblies.