

Joie™

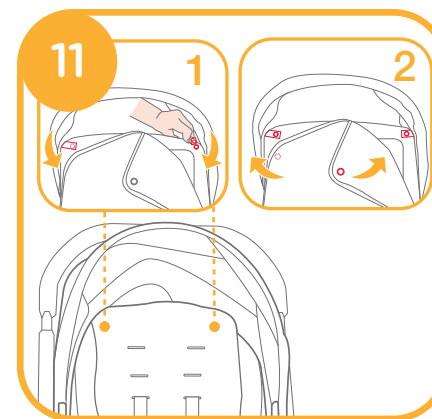
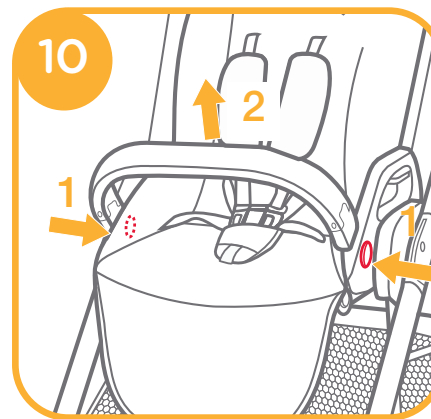
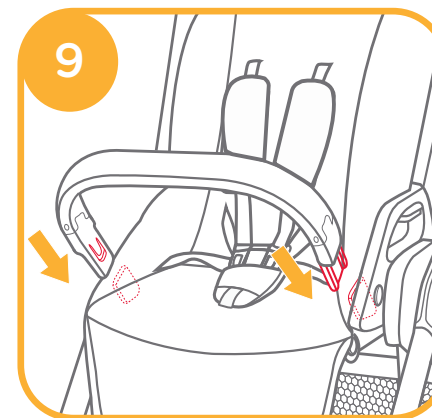
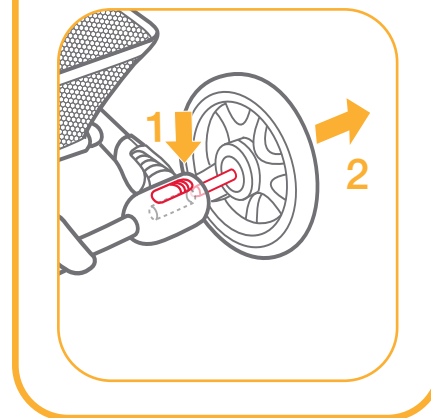
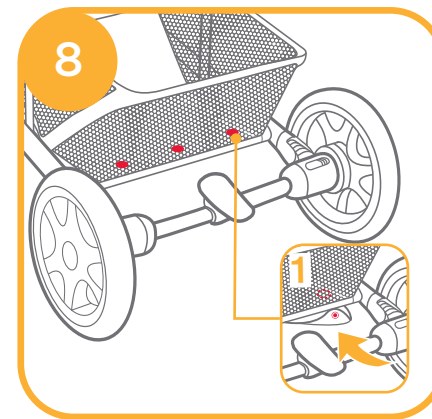
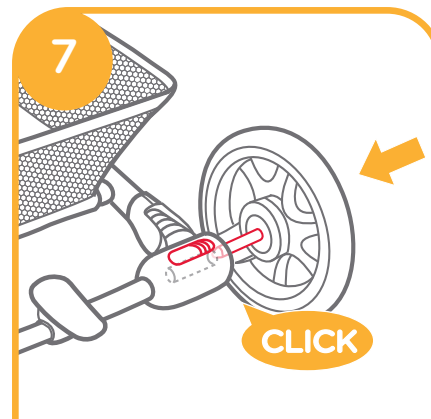
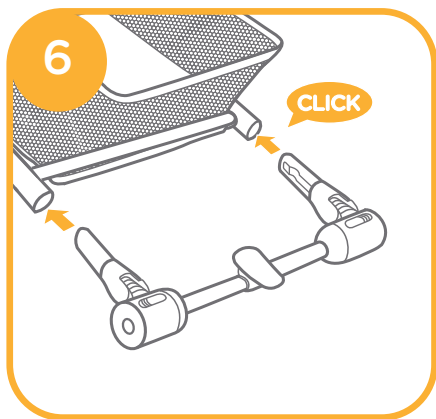
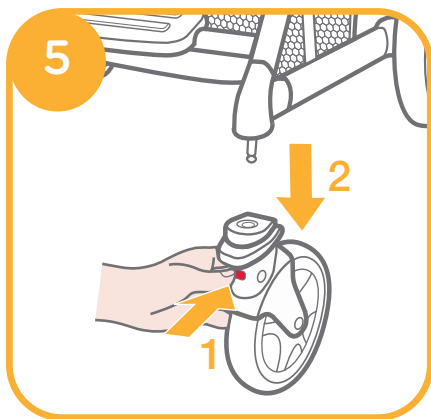
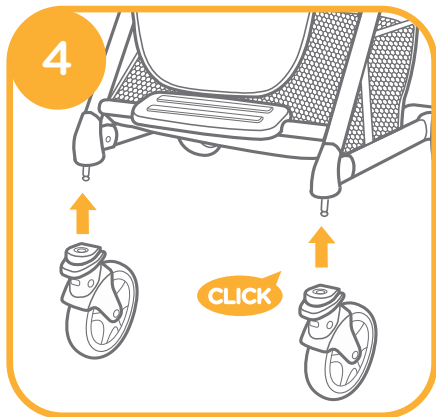
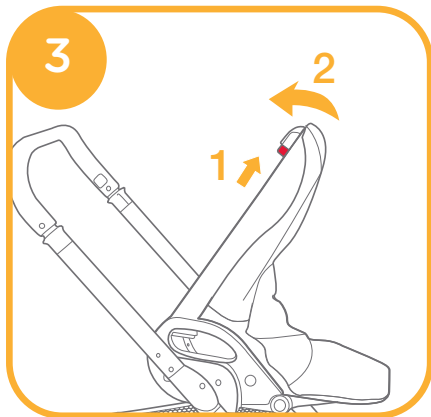
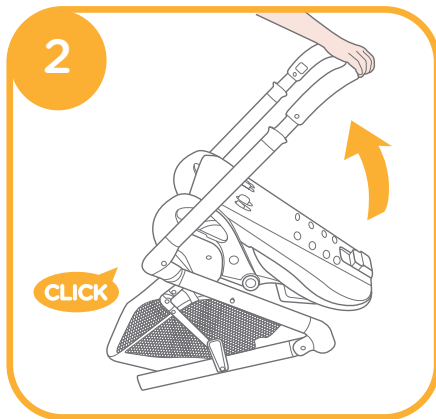
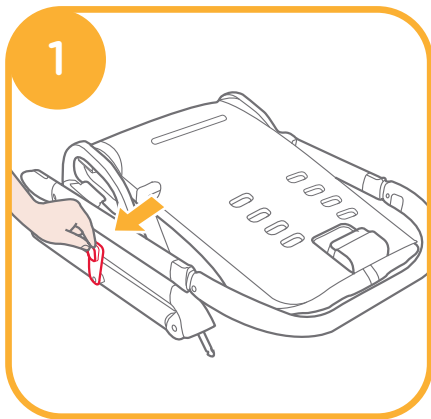
chrome™

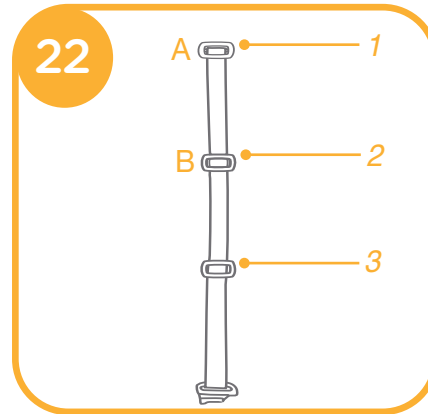
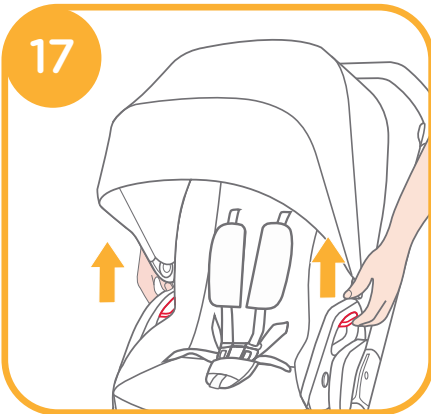
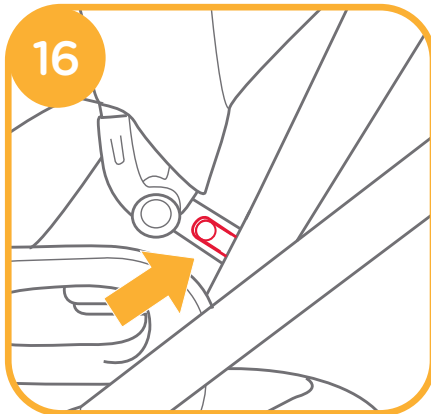
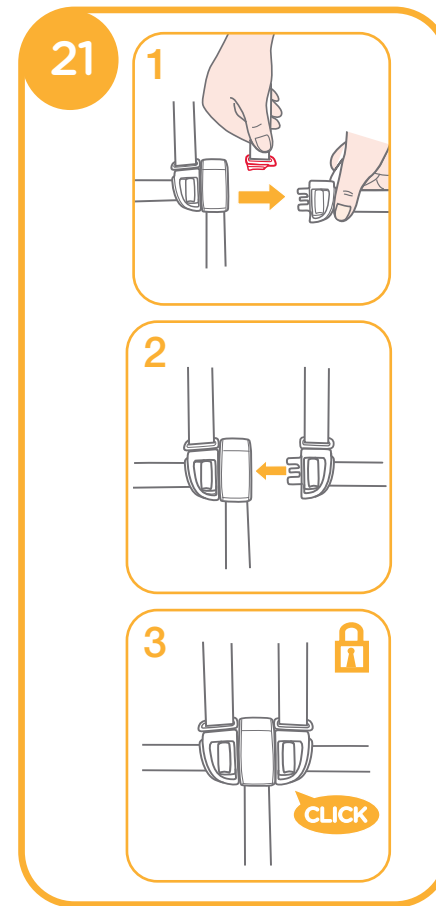
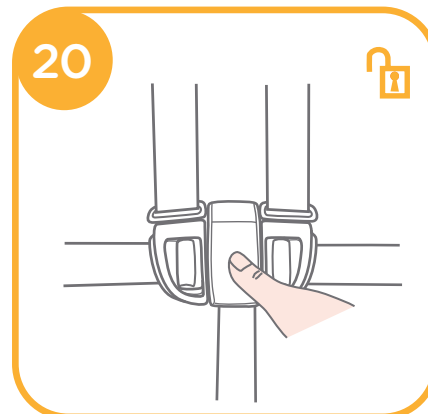
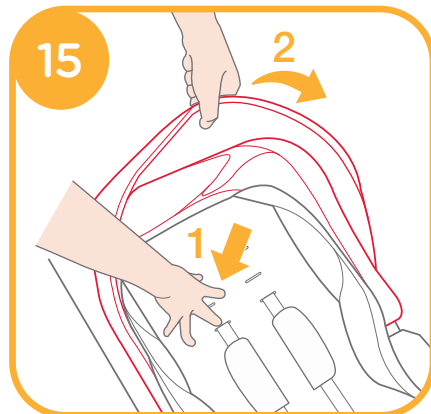
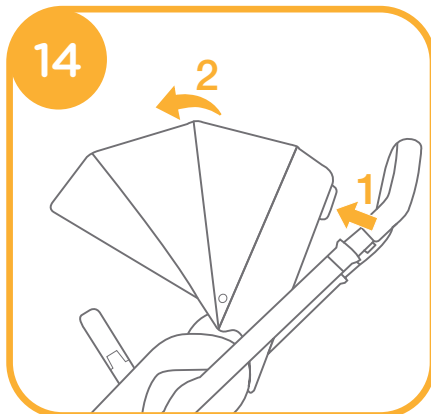
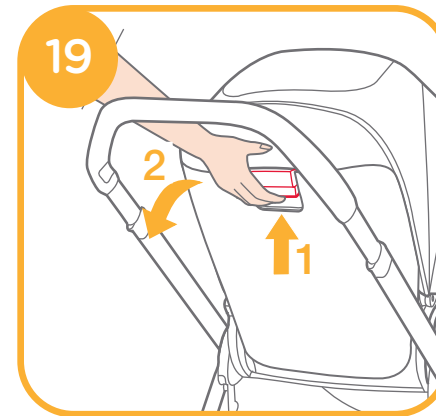
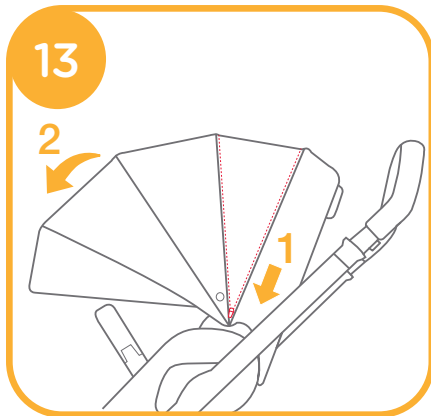
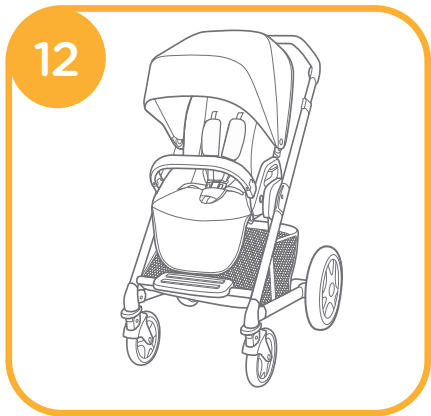
stroller

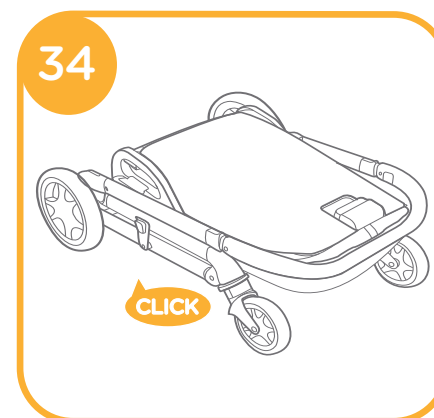
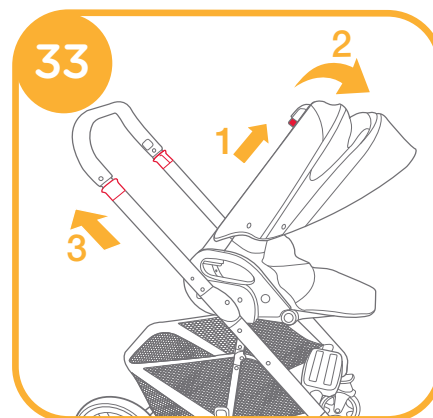
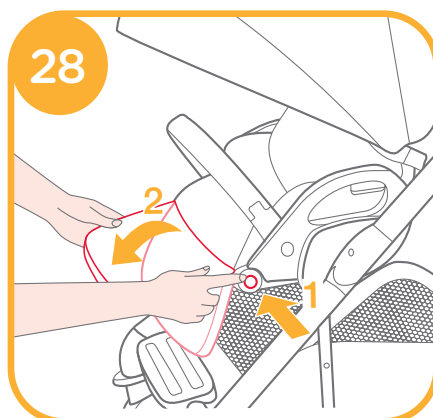
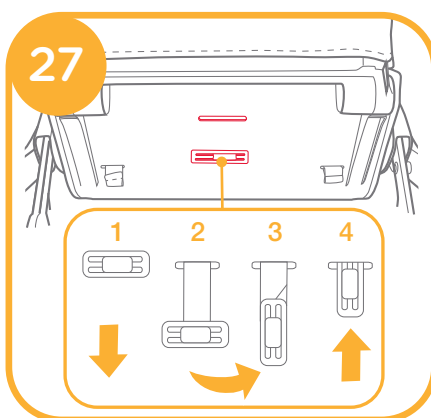
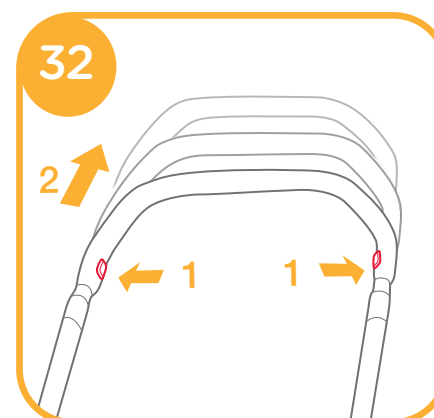
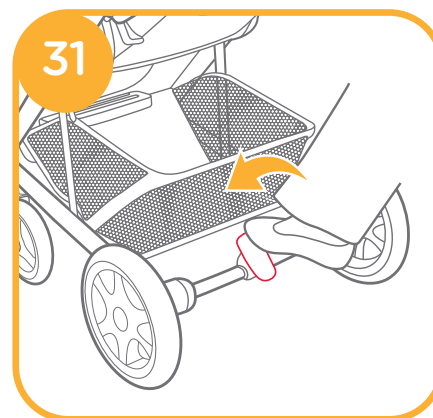
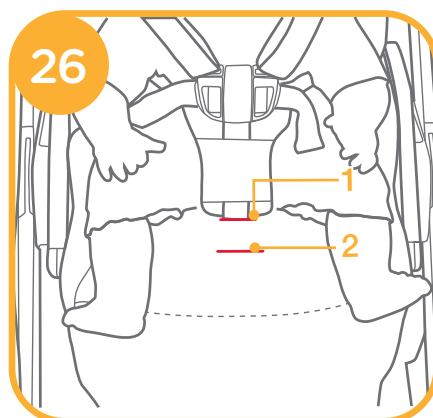
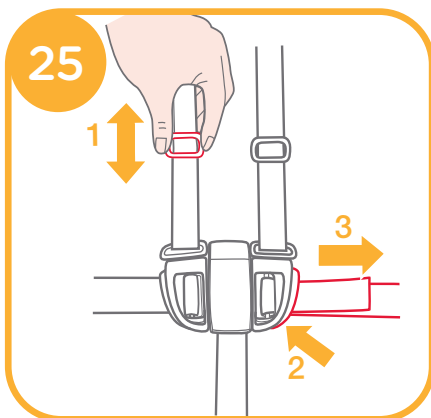
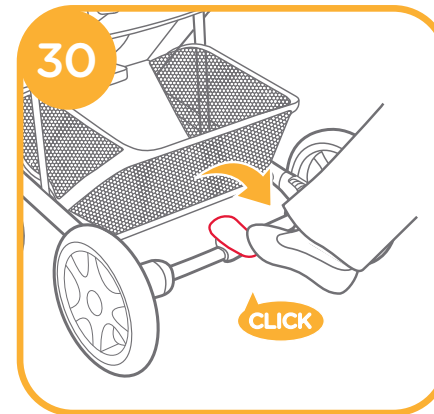
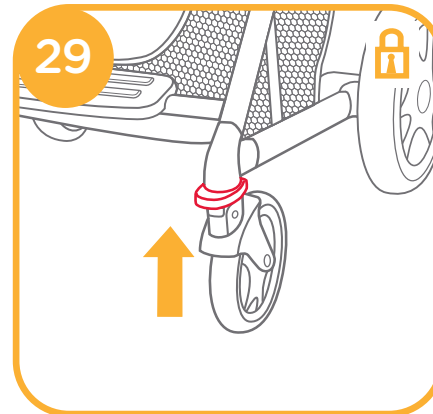
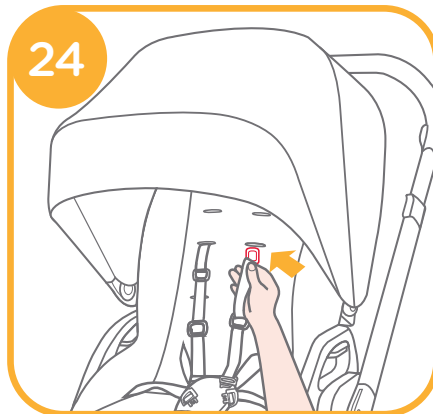
- GB Instruction Manual
- PT Manual de Instruções
- ES Manual de instrucciones
- FR Mode d'emploi
- DE Bedienungsanleitung
- NL Handleiding
- IT Manuale di istruzioni
- TR Kullanma kalvuzu
- KO 사용설명서
- EL Εγχειρίδιο Οδηγιών
- DA Brugsvejledning
- AR دليل التعليمات
- HU Kezelési kézikönyv
- CZ Návod k obsluze
- SK Návod na použitie
- RU Руководство по эксплуатации



IMPORTANT - READ CAREFULLY AND KEEP FOR FUTURE REFERENCE.

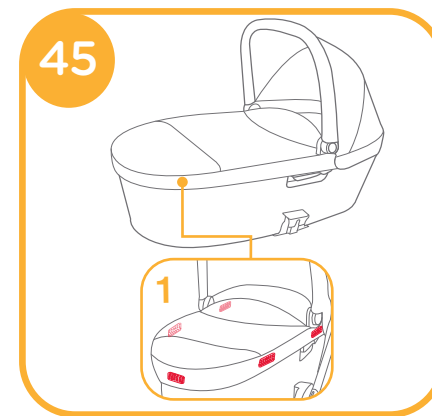
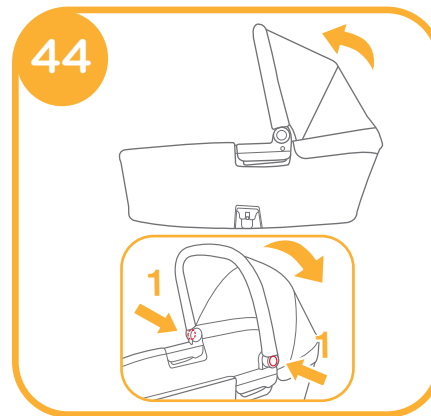
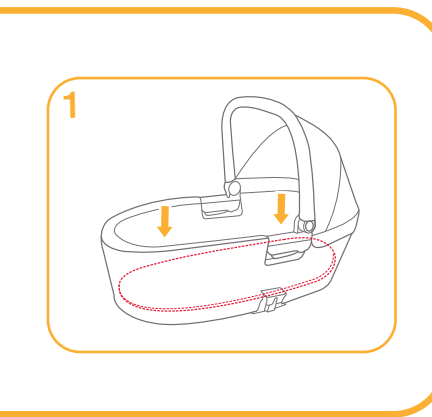
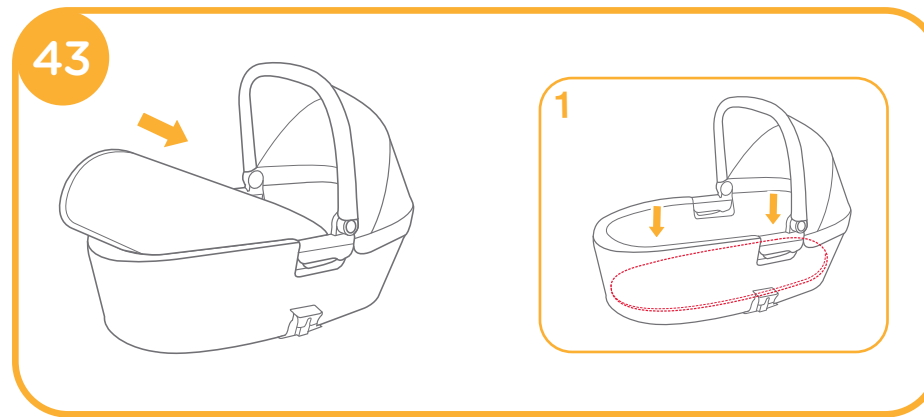
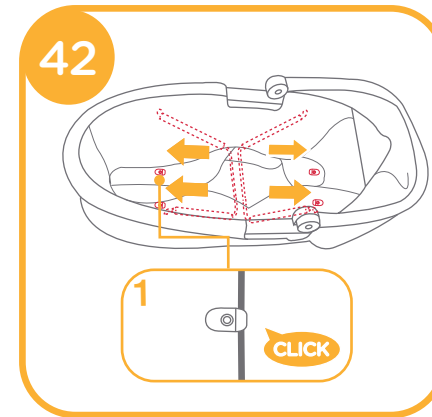
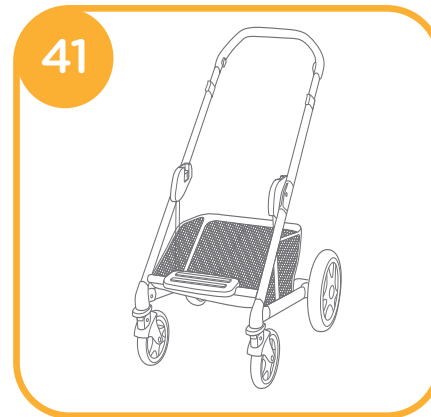
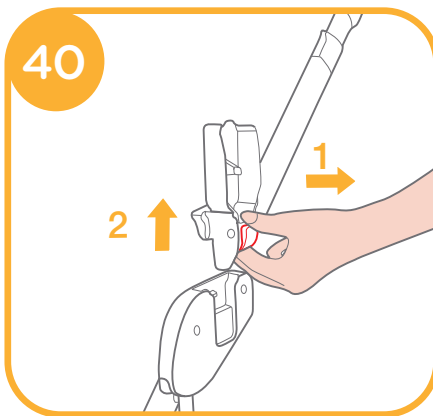
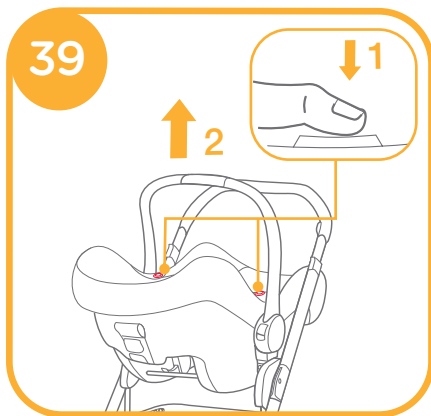
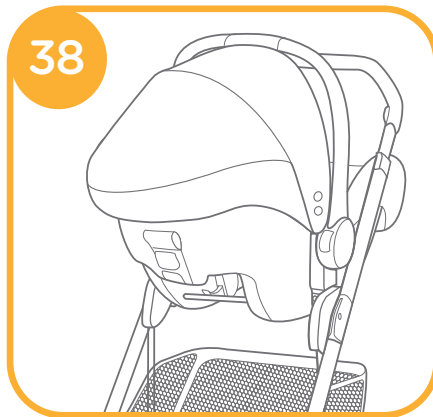
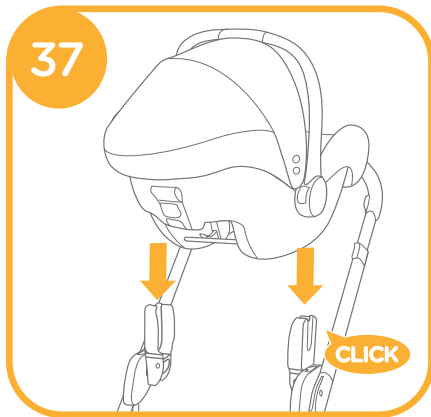
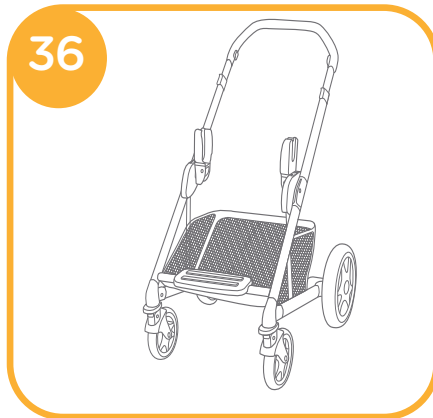
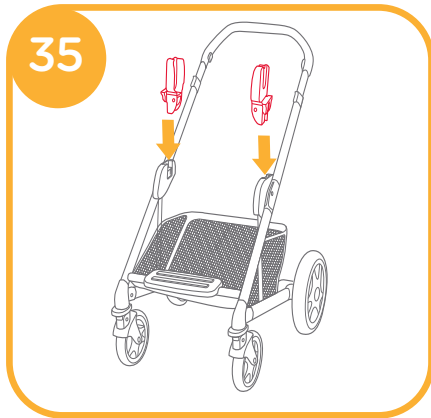


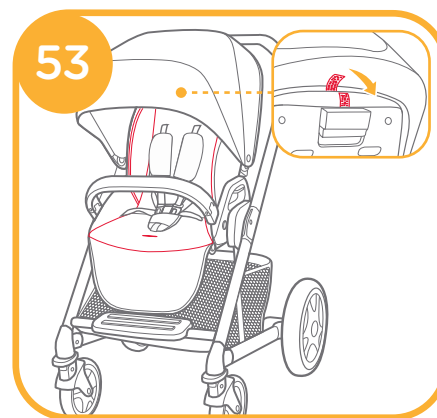
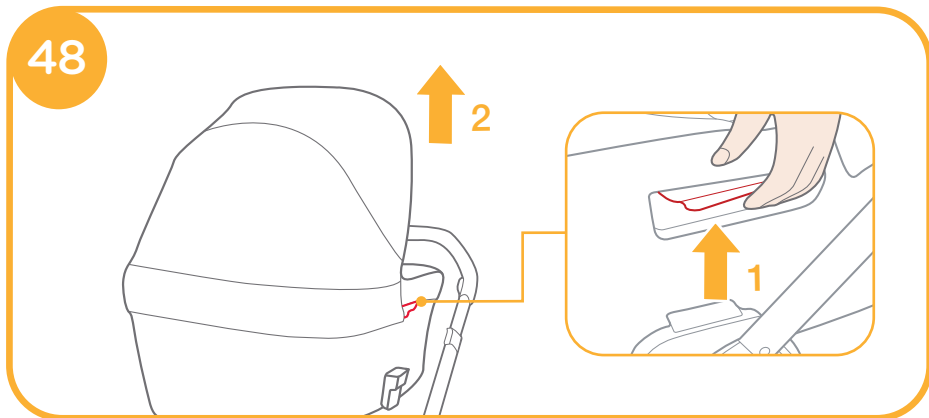
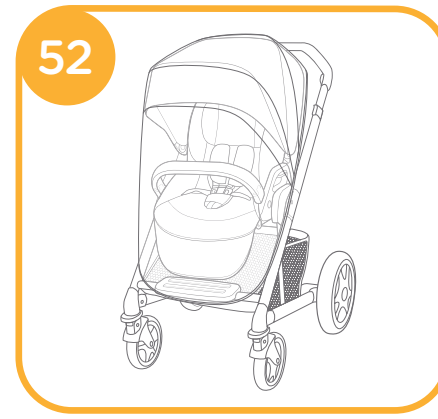
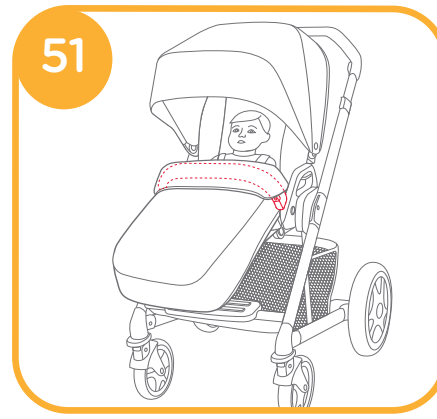
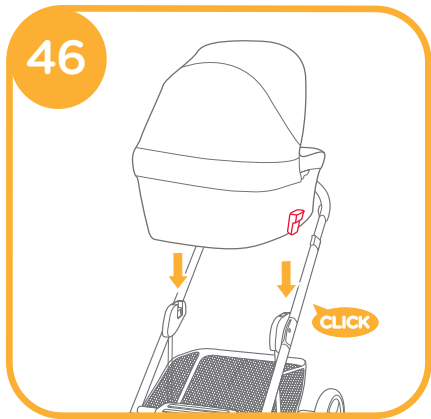




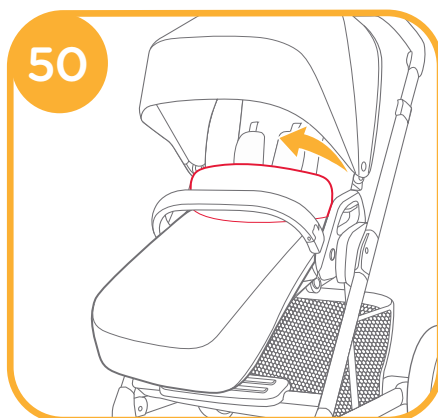
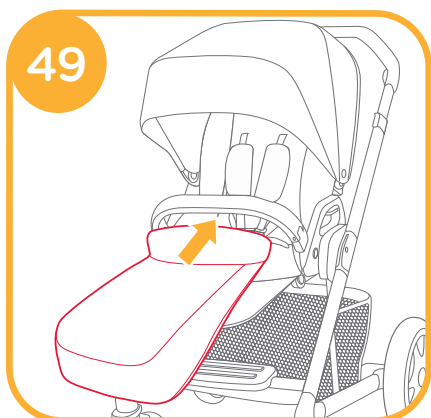
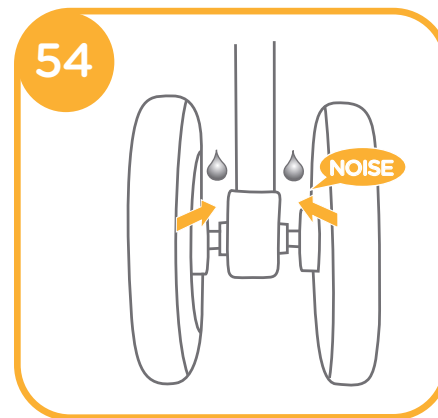
Accessories (May not be included in purchase)

Accessories may be sold separately or may not be available depending on region.





Care and Maintenance



Congratulations on becoming part of the Joie family! We are so excited to be part of your journey with your little one. While traveling with the Joie chrome™, you are using a high quality, fully certified stroller, approved to European safety standards EN 1888-2:2018 and can be used with Joie Chrome carry cot which approved to EN 1466:2014/AC:2015. This product is suitable for children up to 22kg or 4 years whichever comes first. Please carefully read this manual and follow each step to ensure a comfortable ride and best protection for your child.

IMPORTANT - READ CAREFULLY AND KEEP FOR FUTURE REFERENCE.

Visit us at joiebaby.com to download manuals and see more exciting Joie products!

Contents

Figures	1-10
WARNING	13
Stroller Assembly	14
Open Stroller	14
Assemble Front Wheels	14
Assemble Rear Wheels	14
Assemble Armbar	15
Assemble Hood	15
Stroller Operation	15
Use Hood	15
Switch Seat	15
Adjust Recline	15
Use Buckle	15
Use Shoulder & Waist Harnesses	16
Use Crotch Harness	16
Adjust Calf Support	16
Use Front Swivel Lock	16
Use Brake	17
Adjust Handle	17
Fold Stroller	17
Use Accessories	17
Care and Maintenance	19

Emergency

In case of emergency or accident, it is most important to have your child taken care of with first aid and medical treatment immediately.

Product Information

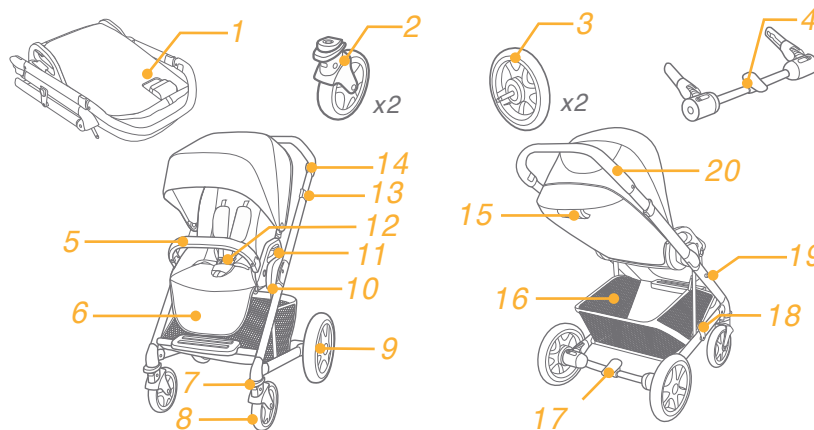
Read all the instructions in this manual before using this product. If you have any further questions, please consult the retailer. Some features may vary depending on model.

Product	Chrome Stroller
Suitable for	This product is suitable for children up to 22kg or 4 years whichever comes first.
Materials	Plastics, metal, fabrics
Patent No.	Patents pending
Made in	China
Brand Name	Joie
Website	www.joiebaby.com
Manufacturer	Allison GmbH

Parts List

Make sure all parts are available before assembly. If any part is missing, please contact local retailer. No tools are required for assembly.

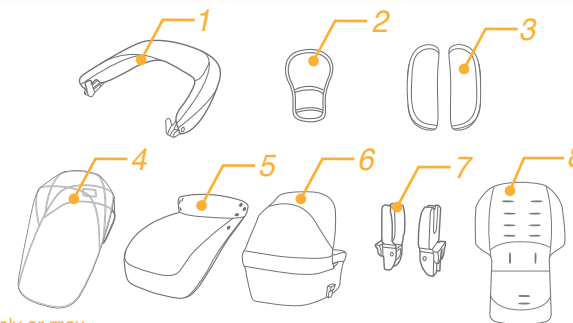
- | | | | |
|---------------------|------------------------|-----------------------------|------------------------|
| 1 Stroller Frame | 7 Swivel Lock | 13 Folding Button | 18 Storage Latch |
| 2 Front Wheel (X2) | 8 Front Wheel | 14 Handle Adjustment Button | 19 Storage Latch Mount |
| 3 Rear Wheel (X2) | 9 Rear Wheel | 15 Recline Handle | 20 Handle |
| 4 Brake Assembly | 10 Seat Mount | 16 Storage Basket | |
| 5 Armbar | 11 Seat Release Button | 17 Brake Lever | |
| 6 Calf Support | 12 Buckle | | |



Accessories

(May not be included)

- | | | |
|--------------|----------------------------|------------------------------|
| 1 Hood | 2 Crotch Harness Pad Cover | 3 Shoulder Harness Pad Cover |
| 4 Rain Cover | 5 Footmuff Apron | 6 Carry Cot |
| 7 Adapter | 8 Seat Liner | |



Accessories may be sold separately or may not be available depending on region.

WARNING

- ! WARNING Always use the restraint system. It is suggested that the shoulder harnesses be used as well.
- ! WARNING Ensure that all the locking devices are engaged before use.
- ! WARNING Do not let the child play with this product.
- ! WARNING Check that the pram body or seat unit or car seat attachment devices are correctly engaged before use.
- ! Adult assembly required.
- ! Use the stroller with a child weighing less than 22kg. It will cause damage to the stroller with an unfitted child.
- ! To prevent a hazardous, unstable condition, do not place more than 4.5kg in the storage basket.
- ! WARNING Never leave the child unattended. Always keep child in view while in stroller.
- ! Use the stroller with only one child at a time. Never place purses, shopping bags, parcels or accessory items on the handle or hood.
- ! Overloading, folding incorrectly, or using component parts from other manufacturers may cause the stroller to be damaged, broken or unsafe. Please read the instruction manual carefully.
- ! Only replacement parts supplied or recommended by the manufacturer/distributor shall be used.
- ! Please read all the instructions in the manual before using the product. Please save instruction manual for future use. Failure to follow these warnings and instructions may result in serious injury or death.
- ! Safety belts and restraint systems must be used correctly.
- ! To avoid serious injury from falling or sliding out, always use seat belt.
- ! Make sure your child's body is clear from the moving parts when adjusting the stroller.
- ! Child may slip into leg openings and be strangled if the harness is not used.
- ! Never use stroller on stairs or escalators.
- ! Keep away from high temperature objects, liquids, and electronics.
- ! Never allow your child to stand on the stroller or sit in the stroller with head toward front of stroller.
- ! Never place the stroller on roads, slopes or dangerous areas.
- ! Do make sure all mechanisms are fixed before using the stroller.
- ! To avoid strangulation, DO NOT place items with a string around your child's neck, suspend strings from this product, or attach strings to toys.
- ! To prevent tipping DO NOT put anything on the handle.
- ! DO NOT lift stroller while child is in stroller.
- ! DO NOT use storage basket as a child carrier.
- ! To prevent tipping, never let child climb the stroller. Always lift the child in and out of the stroller.
- ! WARNING To avoid injury ensure that the child is kept away when unfolding and folding this product.
- ! Be sure the stroller is fully open or folded before allowing child near the stroller.
- ! To ensure your child's safety, please make sure all parts are assembled and fastened properly before using the stroller.
- ! To avoid strangulation, do make sure your child is clear from the hood.

- ! Always engage the brakes when parking the stroller.
- ! Discontinue using stroller if it is damaged or broken.
- ! Stroller to be used only at walking speed. This product is not intended for use while jogging.
- ! To avoid suffocation, remove plastic bag and packaging materials before using this product. The plastic bag and packaging materials should then be kept away from babies and children.
- ! This product is not suitable for running or skating.
- ! Pushchair designed to be used from birth shall recommend the use of the most reclined position for new born babies.
- ! The parking device shall be engaged when placing and removing children.
- ! Carry cot shall not be used, as soon as the child is able to sit by himself, roll over and can push itself up on its hands and knees. Maximum weight of the child:9 kg.
- ! Do not let other children play unattended near the carry cot.
- ! Carry cot is NOT to be used for long term sleeping.
- ! DO NOT use or add any mattress other than the one supplied with the carry cot.
- ! For child restraints used in conjunction with a chassis, this vehicle does not replace a cot or a bed. Should your child need to sleep, then it should be placed in a suitable pram body, cot or bed.
- ! Please make sure that the head of the child in the carry cot should never be lower than the body of the child.
- ! Please make sure that the handle is in the correct position of use before carrying or lifting.
- ! The handles and the bottom of the carry cot should be inspected regularly for signs of damage and wear.
- ! Any load attached to the handle and /or on the back of the backrest and /or on the sides of the vehicle will affect the stability of the vehicle.
- ! Accessories which are not approved by the manufacturer shall not be used.
- ! This product is suitable for children up to 22kg or 4 years whichever comes first.
- ! No additional mattress shall be added unless recommended by the manufacturer.

Stroller Assembly

Please read all the instructions in this manual before assembling and using this product.

Open Stroller

Separate storage latch from storage latch mount **1**, and then lift the handle upwards **2**, a click sound means the stroller is open completely. Press the recline handle on the back of backrest to rotate the backrest to vertical position. **3**

- ! Check that the stroller is completely open before continuing.

Assemble Front Wheels

Assemble front wheels to front legs. Check that wheels are securely attached by pulling on wheel assemblies. **4**

To disassemble front wheel, detach front wheel from front leg **5** - **2** while pressing the release button. **5** - **1**

Assemble Rear Wheels

Assemble brake assembly to rear legs **6**, assemble rear wheels to brake assembly **7**. Pull the basket tube backward and wrap the connecting tube of rear legs with the flap of the storage basket, and then snap the three buttons **8** - **1**.

! Check that wheels are securely attached by pulling on wheel assemblies.

To disassemble rear wheel, detach rear wheel from rear wheel mount **7 - 2** while pressing the release button. **7 - 1**

Assemble Armbar

Align the armbar ends with the armbar mounts, and then insert to lock. **9**

To disassemble armbar, press armbar release button **10 - 1**, and then pull out the armbar. **10 - 2**

Assemble Hood

To assemble hood, insert clips into mount, then attach 2 pairs of buttons. **11**

- i. Engage the hood webbing with recline buttons first. **11 - 1**
- ii. Then engage the softgood with hood webbing and buttons. **11 - 2**

The completely assembled stroller is shown as **12**

Stroller Operation

Use Hood

Open the zipper, then push the hood forwards to open the hood. **13**

! Please adjust the backrest to upright position before opening the hood if it is convenient. **14**

! Please press the backrest before opening the hood if it is not convenient to adjust the backrest to upright position. **15**

To fold the hood, pull hood toward back.

To remove hood, detach clips from mount while pressing the fixing tab **16**, then detach 2 pairs of buttons (used to attach the hood fabric to the seat) now lift of the hood. **11**

! Once fitted, removing the hood on a regular basis is not recommended.

Switch Seat

The seat can be switched, which makes mother and child can face to face with each.

Squeeze the seat release buttons while lifting the seat. **17** Turn the seat to reverse direction, and then insert the seat to seat mounts. **18**

Adjust Recline

There are 5 positions for the backrest.

To recline the backrest, squeeze the adjustment button **19 - 1**, and then adjust the backrest to a desired angle. **19 - 2** To raise the backrest, push up.

! Make sure the recline is set properly for use.

Use Buckle

Release Buckle

Press the center button to release the buckle. **20**

Lock Buckle

Match the waist belt buckle with the shoulder buckle **21 - 1**, and click into the center buckle. **21 - 2**
A “click” sound means the buckle is locked completely. **21 - 3**

! To avoid serious injury from falling or sliding out, always secure your child with harness.

! Make sure your child is snugly secured. The space between the child and the shoulder harness is about the thickness of one hand.

! Do not cross the shoulder belts. This will cause pressure on child's neck.

Use Shoulder & Waist Harnesses

! In order to protect your child from falling out, after your child is placed into the seat, check whether the shoulder and waist harnesses are at proper height and length.

- 22 - 1** Shoulder harness anchor A
- 22 - 2** Shoulder harness anchor B
- 22 - 3** Slide adjuster

For larger child, use shoulder harness anchor A and the highest shoulder slots. For smaller child, use shoulder harness anchor B and the lowest shoulder slots.

To adjust the position of the shoulder harness anchor, turn the anchor to be level with the side facing forward. Thread it through the shoulder harness slot from back to front. **23** Rethread it through the slot that is closest to child's shoulder height. **24**

Use slide adjuster to change the harness length. **25 - 1**

Press the button **25 - 2**, while pulling the waist harness to proper length. **25 - 3**

Use Crotch Harness

There are 2 positions the crotch strap can be adjusted to according to the requirements of the child.

Position 1 Smaller babies use this position **26 - 1**

Position 2 Larger babies use this position **26 - 2**

- i. Pull the crotch harness out and place it to be level. **27 - 1 & 27 - 2**
- ii. Rotate the crotch harness anchor to make the short side forwards, then thread it through the crotch harness slot. **27 - 3 & 27 - 4**
- iii. Rethread it through the slot that is closest to child's crotch from the front of the crotch harness. **25**

Adjust Calf Support

The calf support has 2 positions.

Raise Calf Support

To raise the calf support, just push it upwards.

Lower Calf Support

Press the adjustment buttons on both sides of the calf support **28 - 1**, and rotate the calf support downwards. **28 - 2**

Use Front Swivel Lock

Push up the front swivel locks to maintain the moving direction. **29**

Tip It is recommended to use swivel locks on uneven surfaces.

Use Brake

To lock wheels, step the brake lever downwards.

To release wheels, just lift the brake lever upwards.

Tip Always apply brake when stroller is in stopped position.

Adjust Handle

The handle has 3 positions.

To adjust the height of the handle, pull the handle upward or downward - 2 while pressing the handle adjustment button. - 1

Fold Stroller

! Please fold the hood before folding the stroller.

Press the recline handle on the back of backrest to rotate the backrest to horizontal position.

Lift the folding button, step the folding pedal downwards, push the stroller forward to fold .

The storage latch will automatically hook onto the storage mount, then the stroller is folded and locked completely.

Use Accessories

Accessories may be sold separately or may not be available depending on region.

Use with Joie Child Restraint

When using with Joie child restraint gemm, iGemm 2, iLevel, i-Snug please refer to the following instructions.

1. To attach adapter, place adapter onto mounts as show . A "click" sound means the adapter is locked completely.
2. To attach child restraint, place child restraint onto adapter as show , A "click" sound means the child restraint is locked completely.
3. To remove child restraint, lift the child restraint upwards - 2 while pressing the two stroller fix release buttons A. - 1

! If you have any problems about using the stroller and the adapter, please refer to their own instruction manuals.

! To remove adapter, lift the adapter upwards - 2 while pressing the two release buttons. - 1

! Remove the adapter show as

! Please don't fold stroller when attaching the child restraint.

Use Chrome Carry Cot

Carry Cot Assembly

1. Open the wire support on both side of the carry cot , Then click the wire into the four plastic parts, A "Click" sound means the wire support is secure. - 1
Place the mattress into the carry cot, and smooth it down. - 1
! Always use the mattress when using the carry cot.
! Mattress cover can easily be removed to wash.
2. Adjust carry cot hood
Open the hood and pull the front end to secure.
Close the hood by pressing the folding buttons on either side. - 1

3. Assembly carry cot apron

Place the apron over the carry cot, then attach the 5 pairs of hook and loop fasteners. - 1

Carry cot assembled completely as

Attach Carry Cot onto Chassis

Align the sides of the carry cot with the adapters on the frame.

Place the carry cot directly down until it clicks into place.

A click sound means carry cot assembled completely.

! Always remove the adapters before using the carry cot.

! Please don't fold stroller when attaching the carry cot.

Remove Carry Cot

Press release buttons on both side of carry cot - 1, and then lift it upwards. - 2

Use Footmuff Apron

The soft footmuff apron can provide your child with a warm and comfortable sleeping environment.

Assemble the footmuff apron by following these steps.

1. Adjust the calf support and backrest to level position and recline position respectively before assembling footmuff apron.

2. Cover the calf support with footmuff apron.

The assembled footmuff apron is shown as

Use Rain Cover

To assemble the rain cover, place it over the stroller.

! Before using the rain cover, to be make sure the seat has been fastened.

! When using the rain cover, please always check its ventilation.

! When not in use, please check that the rain cover has been cleaned and dried before folding.

! Do not fold the stroller after assembling the rain cover.

! Do not place your child into the stroller assembled with rain cover during hot weather.

! To be used under adult supervision. Do not use on a pushchair without a canopy.


Use Seat Liner

see images

Use Shoulder Harness Pad Cover and Crotch Harness Pad Cover

The shoulder harness pad cover or crotch harness pad cover can be removed from the webbing. Simply reverse these steps to re-assemble shoulder harness and crotch harness pad cover.

Care and Maintenance

- ! Removable seat pad may be washed in cold water and drip-dried. No bleach.
- ! To clean stroller frame, use only household soap and warm water. No bleach or detergent.
- ! From time to time, check your stroller for loose screws, worn parts, torn material or stitching. Replace or repair the parts as needed.
- ! Excessive exposure to sun or heat could cause fading or warping of parts.
- ! If stroller becomes wet, open hood and allow to dry thoroughly before storing.
- ! If wheels squeak, use a light oil (e.g., Silicon Spray, antirust oil, or sewing machine oil). It is important to get the oil into the axle and wheel assembly. 
- ! When using your stroller at the beach, completely clean your stroller after use to remove sand and salt from mechanisms and wheel assemblies.

Parabéns para tornar-se parte da família Joie! Estamos muito felizes de participar com você na viagem de sua criança. Enquanto viajar com Joie chrome™ você use um carrinho de crianças de alta qualidade, inteiramente certificado, aprovado pela normas de segurança europeias EN 1888-2:2018 & e pode ser utilizado com a cadeira de auto Joie Chrome que é aprovado com EN 1466:2014/AC:2015. Este produto é indicado para crianças com menos de 22 kg ou 4 anos, o que ocorrer primeiro. Leia atentamente este manual e siga todos os passos para garantir uma viagem confortável e a melhor proteção para a sua criança.

! Importante - Leia cuidadosamente e guarde para futura referência.

Visite-nos a joiebaby.com para baixar manuais de instruções e para ver mais produtos maravilhosos Joie!

Conteúdo

Figuras	1-10
AVISOS	23
Montagem do carrinho	24
Abertura do carrinho	24
Montagem rodas dianteiras	24
Montagem rodas traseiras	25
Montagem da capota	25
Asamblare barã pentru mâini	25
Manobra do carrinho	25
Utilize a capota	25
Ajuste carrinho	25
Ajuste inclinação	25
Uso da fivela	26
Utilização dos cintos para ombro e cintura	26
Ajuste do cinto entrepernas	26
Ajuste suporte para pernas	26
Utilização dispositivo de bloqueio eixo dianteiro	27
Utilização do freio	27
Ajuste da alça	27
Dobramento do carrinho	27
Utilização acessórios	27
Cuidado e Manutenção	29

Emergências

Em caso de emergência ou acidente, o mais importante é cuidar da sua criança dando os primeiros socorros imediatos e tratamento médico.

Informações sobre o produto

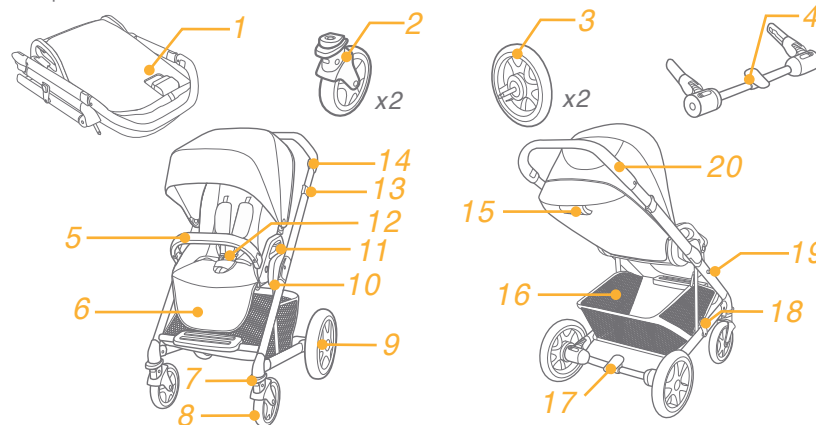
Leia todas as instruções deste manual antes de usar o produto. Se tiver outras perguntas, contacte o seu comerciante. Alguns componentes podem variar segundo o modelo.

Produto	Carrinho para crianças Chrome
Adequado para	Este produto é indicado para crianças com menos de 22 kg ou 4 anos, o que ocorrer primeiro.
Materiais	Materiais plásticos, metal, tecidos
Patente no	Pendente
Prozuido em	China
Nome marca	Joie
Site web	www.joiebaby.com
Fabricante	Allison GmbH

Lista peças componentes

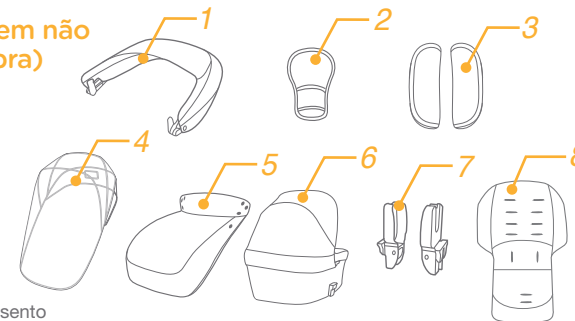
Antes da montagem certifique-se que todas as peças estão disponíveis. Em caso de falta de peças, entre em contato com seu distribuidor local. Não são necessárias ferramentas para a montagem.

1 Quadro carrinho	bloqueio eixo	12 Fivela	18 Fecho
2 Roda dianteira (X2)	8 Roda dianteira	13 Arnês para ombro	armazenamento
3 Roda traseira (X2)	9 Roda traseira	14 Botão para dobrar	19 Dispositivo
4 Conjunto freio	10 Dispositivo de	15 Botão ajuste alça	montagem fecho
5 Barra para os mãos	montagem assento	16 Cesto de	20 Alça
6 Apoio para pés	11 Botão de liberação	armazenamento	
7 Dispositivo de	assento	17 Pedal freio	



Acessórios (Podem não estar inclusos na compra)

1 Capota
2 Proteção para entrepernas
3 Proteção para ombros
4 Capa de chuva
5 Cobrir pés
6 Mosés
7 Adaptador
8 Revestimento acolchoado do assento



AVISOS

- ! AVISO Verifique se todos os pontos de encaixe estão bem fixos antes de usar o produto
- ! Para evitar lesões, assegure-se de que a criança está afastada do produto enquanto o abre e fecha
- ! Não deixe a criança brincar com este produto
- ! Utilize sempre o sistema de retenção
- ! Verifique que a alcofa, o assento reversível ou a cadeira auto estão corretamente encaixados antes de usar o produto
- ! É necessário a montagem por um adulto.
- ! O carrinho é para uma criança com peso inferior a 22 kg. Uma criança com um peso inadequado pode danificar o assento.
- ! Para evitar situações de risco, instáveis, não coloque mais de 4,5 kg na caixa de armazenamento.
- ! ADVERTÊNCIA Nunca deixe a criança sozinha. Sempre que seu filho está no carrinho não deixe-o sem supervisão.
- ! Utilize o carrinho para só uma criança. Nunca coloque malotes, sacos de compras, pacotes ou acessórios sobre a alça ou capota.
- ! Em caso de sobrecarga, o dobramento incorreto ou o uso de elementos constituintes de outros fabricantes, isso pode causar danos, ou prejudicar o carrinho. Leia atentamente o manual de instruções
- ! Nunca use o carrinho com peças de outros fabricantes.
- ! Leia todas as instruções do manual antes de usar o produto. Guarde o manual de instruções para referência futura. A falta de respeito destes avisos e instruções pode levar a lesões graves ou morte.
- ! Os cintos de segurança e os sistemas de fixação devem ser corretamente usados.
- ! Para evitar ferimentos graves causados por quedas ou deslizamento, use sempre cintos de segurança.
- ! Certifique-se de que, ao ajustar o carrinho, a criança não esteja ao lado das partes móveis.
- ! A criança pode deslizar através das aberturas para as pernas e pode ser estrangulada, se os cintos de segurança não são usados.
- ! Nunca use o carrinho nas escadas ou nas escadas rolantes.
- ! Mantenha longe de objetos de alta temperatura, líquidos e aparelhos eletrônicos.
- ! Nunca permita que uma criança levante-se de pé ou seja sentada com a cabeça orientada para a frente do carrinho.
- ! Nunca deixe o carrinho na rua, em declive ou em áreas de risco.
- ! Certifique-se de que todos os mecanismos são fixados antes de usar o carrinho.
- ! Para evitar estrangulamento, NÃO coloque objetos com as cordas ao redor do pescoço da criança, elementos pendentes do produto e não anexe cordas aos brinquedos.
- ! Para evitar capotamento, NÃO coloque nada sobre o cabo.
- ! Não levante o carrinho, quando a criança estiver nele.
- ! NÃO utilize o cesto para carregar a criança.
- ! Para evitar a derrubada, nunca deixe sua criança a subir no carrinho. Leve sua criança de e no cesto.
- ! Para evitar a prensão dos dedos, avrir e dobrar com cuidado o carrinho.

- ! Certifique-se de que este carrinho está completamente aberto ou dobrado antes de permitir à sua criança aproximar-se do carrinho.
- ! Para garantir a segurança da criança, certifique-se de todas as peças estiverem montadas e fixadas bem antes de usar o carrinho.
- ! Para evitar estrangulamento, certifique-se de que a criança não estiver perto da capota.
- ! Quando você parar o carro, sempre ativar os freios.
- ! Pare de usar o carrinho se ele estiver danificado ou quebrado.
- ! O Carrinho pode ser utilizado apenas para velocidade da marcha normal. O produto não é destinado para uso durante a corrida.
- ! Para evitar sufocamento, remova todos os sacos e embalagens de plástico antes de usar o produto. Os sacos e as embalagens em plástico devem ser mantidos longe de bebês e crianças.
- ! Não é conveniente utilizar este produto para correr ou patinar.
- ! O carrinho é projetado para ser usado desde o nascimento, e para os recém-nascidos é recomendada a posição de inclinação máxima.
- ! O dispositivo de estacionamento deve ser ativado quando colocar ou retirar a criança do carrinho.
- ! O mosés é adequado só para uma criança que não pode levar-se sem ajuda, rolar-se ou levar-se com a ajuda das mãos ou dos joelhos. O peso máximo da criança: 9 kg
- ! O mosés NÃO deve ser usado para os períodos de sono prolongados.
- ! NÃO acrescente ou utilize outro colchão que aquilo fornecido junto com o mosés.
- ! Para as cadeiras de carro utilizadas junto com o chassis, este veículo não substitui uma cama portátil para crianças ou uma cama. Se seu filho precisa dormir, coloque-o em um carrinho, cama portátil para crianças ou cama adequada.
- ! as alças e a base devem ser inspecionadas regularmente para sinais de dano edesgaste.
- ! Por favor, certifique-se de que a cabeça da criança no carrinho nunca deve ficar mais abaixo que o corpo da criança.
- ! Por favor, certifique-se de que a alça está na posição correta de uso antes de carregar ou elevar.
- ! Nunca use acessórios, peças ou componentes não produzidos ou aprovados pelo fabricante.
- ! Este produto é indicado para crianças com menos de 22 kg ou 4 anos, o que ocorrer primeiro.

Montagem do carrinho

Leia todas as instruções contidas neste manual antes de montar e usar este produto.

Abertura do carrinho

Separe o fecho de armazenamento do suporte de armazenamento ❶ e leve o cabo acima ❷, um clique significa que o carrinho está completamente aberto. Gire o encosto em posição vertical. ❸

! Antes de continuar, verifique se o carrinho está completamente aberto.

Montagem das rodas dianteiras

Monte as rodas dianteiras nos suportes dianteiros. Verifique se as rodas são afixadas adequadamente puxando dos conjuntos da roda. ❹

Para desmontar a roda dianteira, separe a roda dianteira do suporte de frente **5 - 2** pressionando para a fora os elementos de liberação. **5 - 1**

Montagem das rodas traseiras

Monte o conjunto do freio às rodas traseiras **6**, alinhe as rodas traseiras ao conjunto do freio **7**. Puxe o tubo do cesto para trás e envolva o tubo de acoplamento no suporte do cesto de armazenamento e após pressione os três botões **8 - 1**.

! Verifique se as rodas são afixadas adequadamente puxando dos conjuntos da roda.

Para desmontar a roda traseira, separe a roda traseira do suporte traseiro **7 - 2** pressionando o botão de liberação. **7 - 1**

Montagem da alça

Alinhe as extremidades da alça com os suportes da alça e após insira-os para bloqueá-las. **9**

Para desmontar a alça pressione o botão de liberação **10 - 1**, e após puxe a alça para as mãos. **10 - 2**

Montagem da capota

Insira os ganchos da capota nos suportes dos tubos e após fixe o suporte de trás no encosto com as 2 bandas elásticas. **11**

i. Prenda o tecido do capô com botões de reclinar o primeiro. **11 - 1**

ii. Em seguida prenda o material almofadado com o tecido do capô e botões. **11 - 2**

Á figura **12** está apresentado o carrinho completamente montado.

Manobra do carrinho

Utilize a capota

Abra o fecho e pressione a capota para a frente para a abrir. **13**

! Por favor, ajuste o encosto para a posição vertical antes de abrir o capô se for conveniente. **14**

! Por favor, pressione o encosto antes de abrir o capô se não for conveniente ajustar o encosto na posição correta. **15**

Para recolher a capota, puxe-a para trás.

Para retirar a capota, retire os grampos da unidade enquanto pressiona a patilha de fixação e **16**, de seguida, abra os 2 botões (utilizados para fixar o tecido da capota ao assento). Pode erguer a capota. **11**

! Não é recomendável retirar a capota regularmente uma vez encaixada.

Ajuste do assento

O assento pode ser ajustado assim que a mãe e a criança podem sentar face a face.

Pressione os botões do assento enquanto levar o assento. **17** Gire o assento em posição oposta e insira o assento nos suportes para assento. **18**

Ajuste inclinação

O encosto tem 5 ângulos

Para inclinar o encosto pressione o botão de ajuste **19 - 1** e após ajuste o encosto ao ângulo desejado. **19 - 2**

Para levar o encosto, empurre-o acima.

! Certifique-se de que a inclinação está ajustada adequadamente.

Uso da fivela

Liberação fivela

Pressione o botão central para liberar a fivela. **20**

Blocare cataramã

Ajuste a fivela para a cintura com aquila para ombro **21 - 1** e insira-os na fivela central **21 - 2**. Um clique significa o bloqueio completo da fivela. **21 - 3**

! Sempre fixe a criança com os cintos de segurança, para evitar lesões graves que podem ocorrer em caso de cair ou escorregar.

! Ofereça segurança à sua criança adequadamente. O espaço entre a criança e os cintos de ombro é da espessura de uma mão.

! Não cruze os cintos de ombros. Isso produzirá pressão sobre o pescoço da criança..

Utilização dos cintos para ombro e cintura

! Para proteger a criança de cair, depois de colocá-lo no assento, verifique se os cintos de ombro e cintura são à altura e comprimento adequados..

22 - 1 Dispositivo de fixação arnês para ombro A

22 - 2 Dispositivo de fixação arnês para ombro B

22 - 3 Dispositivo de ajuste por deslizamento

Para crianças mais grandes, use o dispositivo de fixação do cinto de segurança para ombros A e os orifícios mais acima. Para as crianças mais pequenos, use o dispositivo de fixação do cinto de segurança e os orifícios do baixo.

Para ajustar a posição use o dispositivo de fixação do cinto de segurança para ombros, gire o dispositivo ao nível da parte dianteira. Tire o dispositivo através o orifício para os cintos de trás para a frente. **23** Passe-o de novo através o espaço mais próximo da altura do ombro da criança. **24**

Use o dispositivo de ajuste para mudar o comprimento do arnês. **25 - 1**

Pressione o botão **25 - 2** enquanto afixe o arnês para cintura ao comprimento adequado. **25 - 3**

Ajuste do cinto entrepernas

Há 2 posições para o ajuste do cinto entrepernas, de acordo com exigências diferentes.

Posição 1 Para bebês menores **26 - 1**

Posição 2 Para os bebês maiores **26 - 2**

i. Puxe do cinto entre-pernas e coloque-o ao nível. **27 - 1** & **27 - 2**

ii. Gire o clipe do cinto entre-pernas para trazer a parte mais curta na frente, em seguida passá-la através a fenda do cinto. **27 - 3** & **27 - 4**

iii. Passe de novo através a fenda mais próxima á região inguinal da criança perante o cinto entre-pernas. **26**

Ajuste do suporte para pernas

O suporte tem 2 posições.

Levar o suporte para pernas

Para levar o suporte para pernas, puxe-o acima.

Baixar o suporte

Pressione os botões de ajuste nas duas partes do suporte **28 - 1**, e gire o suporte para pernas para baixo. **28 - 2**

Utilização dispositivo de bloqueio eixo dianteiro

Puxe os dispositivos de bloqueio do eixo frontal para manter a direção de movimento. **29**

Dica Recomenda-se a utilização do dispositivo de bloqueio do eixo em superfícies irregulares.

Utilização do freio

Para bloquear as rodas, pressione o pedal de freio para baixo **30**

Para liberar as rodas, puxe o pedal de freio **31**

Dica Use o freio sempre que o carrinho está parado.

Ajuste alça

A alça tem 3 posições.

Para reglar a altura da alça puxe a alça acima ou para baixo **32 - 2** pressionando o botão de ajuste da alça. **32 - 1**

Dobramento do carrinho

! Antes de dobrar o carrinho, dobre a capota.

Pressione o cabo de inclinação na parte traseira do apoio das costas para o posicionar na horizontal. **33**

Leve o botão de dobramento, pressione para baixo no pedal de dobramento pressione o carrinho para a frente para dobrá-lo. **33**

O fecho para armazenamento vai se prender automaticamente do suporte de armazenamento, e após o carrinho pode ser dobrado e bloqueado completamente. **34**

Utilização acessórios

Os acessórios podem ser comercializadas separadamente ou podem não estar disponíveis dependendo da região.

Utilização cadeira de carro Joie

Á utilização junto com a cadeira de carro Joie gemm, iGemm 2, iLevel, i-Snug consulte as instruções de baixo.

1. Afixe o adaptador, coloque o adaptador em suportes como está apresentado em **35** Um clique significa que o adaptador é completamente bloqueado. **35**

2. Para afixar a cadeira de carro, coloque a cadeira de carro seguindo **37**. Um clique significa que a cadeira de carro é completamente bloqueado. **38**

3. Para remover a cadeira de carro, leve a cadeira **39 - 2** pressionando os dois botões de liberação do carrinho A **39 - 1**

! Se tiver qualquer problemas com a utilização do carrinho e do adaptador consulte os manuais de instruções destes.

! Para remover o adaptador leve-o **40 - 2** pressionando os dois botões de liberação. **40 - 1**

! Remova o adaptador como apresenta-se em **41**

! Não dobre o carrinho á afiação da cadeira de carro.

Utilização Chrome mosés

Montagem mosés

1. Abra o suporte para fio dos ambos os lados do mosés **42**. Após fixe o fio nas quatro parte em plástico. Um clique significa que o suporte para fio é fixado. **42 - 1**

Coloque o colchão no mosés **43** e coloque-o. **43 - 1**

! Use sempre o colchão ao utilizar o mosés.

! O acolchoamento do colchão pode ser removido ligeiramente para lavagem.

2. Ajuste da capota do mosés.

Abra a capota e puxe o lado de frente para fixar. **44**

Feche a capota pressionando os botões de dobramento de cada os lados. **44 - 1**

3. Montagem da capa do mosés

Coloque a capa sobre o mosés e afixe os 5 pares de ganchos e os laços de fixação. **45 - 1**

O mosés completamente montado está como em **45**

Encaixar o mosés no chassis

Alinhe os lados com os adaptadores no quadro.

Coloque o mosés diretamente até que se encaixe. **46**

Um clique significa que o mosés é completamente montado **47**

! Remover os adaptadores antes de usar o mosés.

! Não dobrar o carrinho enquanto encaixar o mosés.

Remover o mosés

Pressione os botões de liberação dos ambos os lados do mosés **48 - 1**, após leve-o. **48 - 2**

Utilização de cobre pés

Cobre pés macio assegura um ambiente quente e confortável para sua criança.

Monte o cobre pés como segue.

1. Ajuste o pausa-pés e apoio de costas na posição nivelada e posição reclinada respetivamente antes de colocar a cobertura para pernas. **49**

2. Cubra o pausa-pés com a cobertura para pernas. **50**

A cobertura para pernas instalada é semelhante ao ilustrado na imagem **51**

Utilização de capa de chuva

Para instalar a capa de chuva. **52**

! Antes de usar a capa de chuva, certifique-se de que o mosés foi encaixado.

! Enquanto utilizar a capa de chuva, verifique sempre a ventilação.

! Enquanto a capa de chuva não for utilizada, verifique se foi limpa e seca antes de dobramento .

! Não dobre o carrinho após o montagem da capa de chuva.

! Não coloque sua criança no carrinho com a capa de chuva montada na temporada quente.

! Utilizar apenas sob supervisão de um adulto. Não utilizar em um carrinho de bebê sem capota.

Utilize o revestimento acolchoado do assento

Consulte as imagens **53**

Utilize a proteção para ombros e a proteção para entrepernas

Tanto a proteção para ombros como a proteção para entrepernas podem ser removidas dos cintos. Para colocar a proteção para ombros e a proteção para entrepernas siga os passos em ordem inversa.

Cuidado e Manutenção

- ! O acolchoado para o assento removível pode ser lavado com água fria e pode ser secado naturalmente. Sem branqueamento
- ! Para limpar o quadro do carrinho, use somente sabão para uso doméstico e água quente. Sem lixívia ou detergentes.
- ! Verifique periodicamente o carrinho para o desgaste de peças, parafusos soltos, materiais quebrados ou costura. Se necessário, substituir ou reparar as peças.
- ! A exposição excessiva ao sol ou calor pode produzir descoloração ou a deformidade das peças..
- ! Se o carro estiver molhado, retire a capota e deixe-o secar completamente antes do armazenamento.
- ! Se as rodas rangam, utilize óleo mais leve (por exemplo spray de silicone, óleo anti-ferrugem ou óleo de máquina de costura). É importante introduzir óleo no eixo e no sistema de rodas. 54
- ! Ao usar o carrinho na praia, limpe-o inteiramente depois da utilização para remover toda a areia e sal dos mecanismos e das assambléias das rodas.

¡Enhorabuena por unirse a la familia Joie! Estamos encantados de formar parte de su viaje y del de su pequeño. Cuando utilice el cochecito chrome™ de Joie, su bebé disfrutará de un cochecito de alta calidad, totalmente certificado y aprobado por las normas de seguridad europeas EN 1888-2:2018 y puede utilizarse con el capazo Chrome de Joie aprobado según la norma EN 1466:2014/AC:2015. Este producto es adecuado para niños de hasta 22 kg o 4 años, lo que ocurra primero. Lea detenidamente este manual y siga cada paso para garantizar que su bebé viaje cómodamente y esté protegido de la mejor manera posible.

Importante- Lea detenidamente y conserve estas instrucciones para futuras consultas.

¡Visítenos en joiebaby.com para descargar manuales y conocer otros fantásticos productos de Joie!

Índice

Figuras	1-10
ADVERTENCIA	33
Montaje del cochecito	35
Abrir el cochecito	35
Montaje de las ruedas delanteras	35
Montaje de las ruedas traseras	35
Montaje del reposabrazos	35
Montaje de la capota	35
Funcionamiento del cochecito	35
Uso de la capota	35
Cambio del asiento	36
Ajuste de la inclinación	36
Uso de la hebilla	36
Uso de los arneses de los hombros y la cintura	36
Uso del arnés para la entrepierna	36
Ajuste del soporte para las pantorrillas	37
Uso del bloqueo de las ruedas giratorias delanteras	37
Uso del freno	37
Ajuste del manillar	37
Plegado del cochecito	37
Uso de los accesorios	37
Cuidados y mantenimiento	39

Emergencia

En caso de emergencia o accidente, es muy importante que su bebé reciba primeros auxilios y tratamiento médico de inmediato.

Información del producto

Lea todas las instrucciones incluidas en este manual antes de utilizar este producto. Si tiene alguna duda, póngase en contacto con su proveedor. Algunas características pueden variar según el modelo.

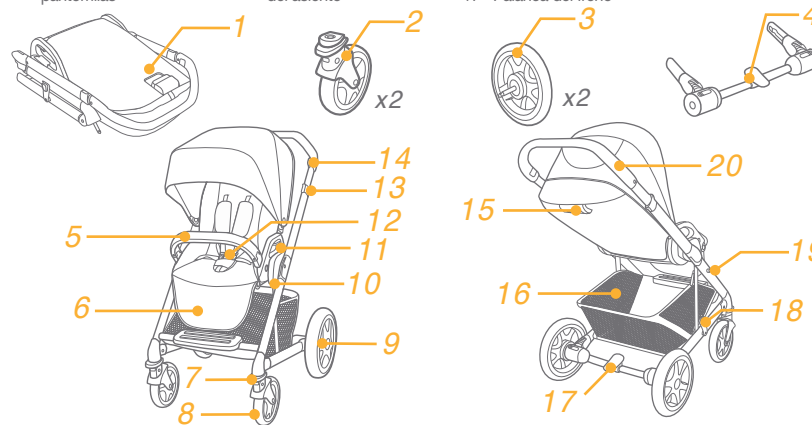
Producto	Cochecito Chrome
Adecuado para	Este producto es adecuado para niños de hasta 22 kg o 4 años, lo que ocurra primero.
Materiales	Plásticos, metal, telas
N.º de patente	Pendiente de patentes
Lugar de fabricación	China
Nombre de la marca	Joie
Sitio web	www.joiebaby.com
Fabricante	Allison GmbH

Lista de piezas

Asegúrese de que están disponibles todas las piezas antes de montar el producto. Si falta alguna pieza, póngase en contacto con su proveedor local.

No se necesita ninguna herramienta para el montaje.

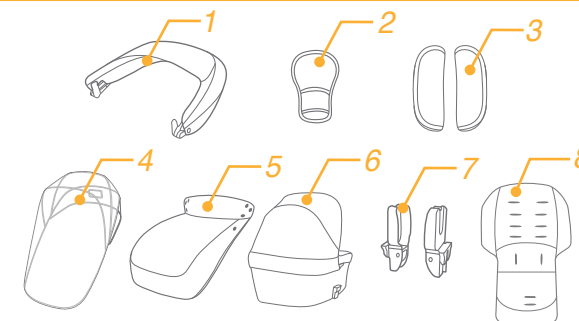
- | | | | |
|---------------------------------|------------------------------------|---------------------------------|---|
| 1 Estructura del cochecito | 7 Bloqueo de las ruedas giratorias | 12 Hebilla | 18 Cierre de almacenamiento |
| 2 Rueda delantera (X2) | 8 Rueda delantera | 13 Botón de plegado | 19 Soporte del cierre de almacenamiento |
| 3 Rueda trasera (X2) | 9 Rueda trasera | 14 Botón de ajuste del manillar | 20 Manillar |
| 4 Ensamblaje del freno | 10 Soporte del asiento | 15 Asa para reclinar | |
| 5 Reposabrazos | 11 Botón de desbloqueo del asiento | 16 Cesta portaobjetos | |
| 6 Soporte para las pantorrillas | | 17 Palanca del freno | |



Accesorios

(es posible que no estén incluidos)

- | | | |
|------------------------|---|--|
| 1 Capota | 2 Protector acolchado del arnés para la entrepierna | 3 Protector del acolchado del arnés de los hombros |
| 4 Cubierta impermeable | 5 Saco cubrepies | 6 Capazo |
| 7 Adaptador | 8 Forro del asiento | |



Es posible que los accesorios se vendan por separado o no estén disponibles, dependiendo de la región.

ADVERTENCIA

- ! Asegúrese de que todos los dispositivos de cierre están engranados antes del uso.
- ! Para evitar lesiones, asegúrese de que el niño se mantiene alejado durante el desplegado y el plegado de este producto.
- ! No permita que el niño juegue con este producto.
- ! Use siempre el sistema de retención.
- ! Compruebe que los dispositivos de sujeción del capazo, del asiento o de la silla de auto están correctamente engranados antes del uso.
- ! El montaje solo podrá ser realizado por personas adultas.
- ! Este cochecito está diseñado para niños con un peso inferior a 22 kg. Con niños de más peso el cochecito puede romperse.
- ! Para evitar riesgos y la inestabilidad del producto, no deberá colocar objetos que sumen en total un peso superior a 4,5 kg en la cesta portaobjetos.
- ! No deje nunca al niño desatendido. Vigílelo en todo momento mientras esté montado en el cochecito.
- ! No utilice el cochecito para transportar a más de un niño a la vez. Nunca coloque bolsos, bolsas de la compra, paquetes ni ningún otro objeto en el manillar ni en la capota.
- ! Si lo sobrecarga, lo pliega incorrectamente o lo utiliza con piezas de otros fabricantes, el cochecito podría sufrir daños, romperse o dejar de ser seguro. Lea el manual de instrucciones detenidamente.
- ! Nunca lo utilice con piezas de otros fabricantes.
- ! Lea todas las instrucciones incluidas en el manual antes de utilizar el producto. Guarde este manual de instrucciones para futuras consultas. Si no sigue estas advertencias e instrucciones, podrían producirse graves lesiones o, incluso, la muerte.
- ! Los cinturones de seguridad y los sistemas de sujeción se deben utilizar correctamente.
- ! Para evitar lesiones graves como consecuencia de caídas o resbalones, mantenga al niño sujeto con el cinturón de asiento en todo momento.
- ! Asegúrese de mantener a los niños alejados de las partes móviles cuando realice ajustes en el cochecito.
- ! El niño podría resbalarse por las aberturas para las piernas y estrangularse si no está sujeto con el arnés.
- ! Nunca utilice el cochecito en escaleras convencionales o mecánicas.
- ! Manténgalo alejado de objetos a altas temperaturas, líquidos y aparatos electrónicos.
- ! Nunca deje que su hijo se ponga de pie sobre el cochecito ni se siente en él con la cabeza orientada hacia delante del cochecito.
- ! Nunca coloque el cochecito en carreteras, cuestas o zonas peligrosas.
- ! Asegúrese de que todos los mecanismos están bien sujetos antes de utilizar el cochecito.
- ! Para evitar el riesgo de estrangulamiento, NO coloque objetos con cordones alrededor del cuello del niño, no deje que cuelguen cordones de este producto ni ate los cordones a ningún juguete.
- ! Para evitar vuelcos, NO coloque nada en el manillar.

- ! NO levante el cochecito mientras el niño esté montado en él.
- ! NO utilice la cesta portaobjetos como portabebés.
- ! Para evitar que pueda volcar, nunca permita que el niño trepe por el cochecito. Siempre suba y baje al niño del cochecito.
- ! Para evitar lesiones, asegúrese de que su hijo está alejado del producto cuando lo pliegue y lo despliegue.
- ! Asegúrese de que el cochecito está totalmente abierto o plegado antes de permitir que el niño se acerque a él.
- ! Para garantizar la seguridad del niño, asegúrese de que todas las piezas están montadas y bien sujetas antes de utilizar el cochecito.
- ! Para evitar el riesgo de estrangulamiento, asegúrese de que su hijo se mantiene alejado de la capota.
- ! Accione siempre los frenos cuando aparque el cochecito.
- ! Deje de utilizar el cochecito si presenta daños o roturas.
- ! El cochecito solo se debe utilizar a una velocidad de paseo. Este producto no es adecuado para utilizarlo mientras se corre.
- ! Para evitar el riesgo de asfixia, retire la bolsa de plástico y los materiales de embalaje antes de utilizar este producto. A continuación, deberá mantener la bolsa de plástico y los materiales de embalaje fuera del alcance de bebés y niños.
- ! Este producto no es adecuado para correr o patinar.
- ! En el caso de los recién nacidos, le recomendamos que el asiento diseñado para utilizarse desde el nacimiento lo coloque en la posición lo más reclinada posible.
- ! El dispositivo de estacionamiento deberá estar engranado cuando coloque y retire al niño.
- ! El capazo es adecuado únicamente para niños que no puedan sentarse sin ayuda, darse la vuelta ni levantarse sobre sus manos y rodillas. Peso máximo del niño: 9 kg.
- ! No permita que otros niños jueguen sin ser vigilados cerca del capazo.
- ! El capazo NO se deberá utilizar para dormir durante un período prolongado de tiempo.
- ! NO se debe utilizar con ningún colchón (ni añada ningún otro) que no sea el que se incluye con el capazo.
- ! En los dispositivos de sujeción para niños que se utilicen con un chasis, este vehículo no sustituye a una cuna ni una cama. Si su hijo necesita dormir, deberá colocarlo sobre una cuna, una cama o un capazo adecuado.
- ! Asegúrese de que la cabeza del niño en el capazo nunca esté por debajo de su cuerpo.
- ! Asegúrese de que el manillar esté en la posición correcta de uso antes de transportar o levantar el capazo.
- ! Inspeccione regularmente las asas y la parte inferior del capazo para comprobar la presencia de indicios de daños o desgaste.
- ! Si cuelga algún objeto del manillar y/o en la parte trasera del respaldo y/o de los laterales del cochecito, la estabilidad del cochecito se verá afectada.
- ! Nunca utilice accesorios, piezas o componentes no fabricados o aprobados por el fabricante.
- ! Este producto es adecuado para niños de hasta 22 kg o 4 años, lo que ocurra primero.

Montaje del cochecito

Lea todas las instrucciones incluidas en este manual antes de montar y utilizar este producto.

Abrir el cochecito

Separe el cierre de almacenamiento del soporte de cierre de almacenamiento **1** y, a continuación, levante el manillar hacia arriba **2**. El sonido de un clic le indicará que el cochecito está completamente abierto. Presione el asa para reclinar situado en la parte posterior del respaldo para girar este a la posición vertical. **3**

! Compruebe que el cochecito está completamente abierto antes de continuar.

Montaje de las ruedas delanteras

Coloque las ruedas delanteras en las patas delanteras. Compruebe que las ruedas estén bien sujetas tirando de los ensamblajes de las ruedas. **4** Para desmontar la rueda delantera, sáquela de la pata delantera **5 - 2** presionando al mismo tiempo el botón de desbloqueo. **5 - 1**

Montaje de las ruedas traseras

Acople el ensamblaje del freno a las patas traseras **6** y coloque las ruedas traseras en el ensamblaje del freno **7**. Tire del tubo de la cesta hacia atrás y cubra el tubo de unión de las patas traseras con la solapa de la cesta portaobjetos y, a continuación, ajuste los tres botones **8 - 1**.

! Compruebe que las ruedas estén bien sujetas tirando de los ensamblajes de las ruedas.

Para desmontar la rueda trasera, sáquela de su soporte **7 - 2** presionando al mismo tiempo el botón de desbloqueo. **7 - 1**

Montaje del reposabrazos

Alinee los extremos del reposabrazos con los soportes de este y, a continuación, insértelo para dejarlo bloqueado. **9**

Para desmontar el reposabrazos, presione el botón de liberación del mismo **10 - 1**, y tire del reposabrazos hacia fuera. **10 - 2**

Montaje de la capota

Para ensamblar la capota, inserte los broches en el soporte y luego acople 2 pares de botones. **11**

- Enganche primero la cincha de la capota a los botones de ajuste de la inclinación. **11 - 1**
- A continuación, fije el acolchado con la cincha de la capota y los botones. **11 - 2**

El cochecito completamente montado se muestra en la figura **12**.

Funcionamiento del cochecito

Uso de la capota

Abra la cremallera y luego empuje la capota hacia delante para abrirla. **13**

! Coloque el respaldo en posición vertical antes de abrir la capota si le resulta más cómodo. **14**

! Presione el respaldo antes de abrir la capota si no le resulta cómodo ajustar el respaldo en posición vertical. **15**

Para plegar la capota, tire de nuevo de ella hacia delante.

Para retirar la capota, suelte los broches de soporte presionando la lengüeta de sujeción **16** y, a continuación, suelte los dos pares de botones (utilizados para fijar la tela de la capota al asiento). Por último, levante la capota. **11**

! Una vez instalada, se desaconseja quitar la capota con mucha frecuencia.

Cambio del asiento

El asiento se puede cambiar, lo que permite que la madre y el niño puedan mirarse cara a cara.

Presione los botones de desbloqueo del asiento al tiempo que levanta el asiento. **17** Gire el asiento de manera que quede en la dirección inversa y, a continuación, insértelo en sus soportes. **18**

Ajuste de la inclinación

El respaldo se puede colocar en 5 posiciones distintas.

Para reclinar el respaldo, presione el botón de ajuste **19 - 1** y, a continuación, ajuste el respaldo hasta que tenga el ángulo deseado. **19 - 2** Para levantar el respaldo, empuje hacia arriba.

! Asegúrese de que ajusta la inclinación de forma adecuada para su uso.

Uso de la hebilla

Desbloquear la hebilla

Presione el botón central para desbloquear la hebilla. **20**

Bloquear la hebilla

Alinee la hebilla del cinturón de la cintura con la hebilla de los hombros **21 - 1** y encájelas en la hebilla central hasta que escuche un clic. **21 - 2**

El sonido de un "clic" le indicará que la hebilla está completamente bloqueada. **21 - 3**

! Con el fin de evitar lesiones graves como consecuencia de caídas o resbalones, mantenga al niño sujeto con el arnés en todo momento.

! Asegúrese de que su hijo quede cómodamente sujeto. Cerciórese de que el espacio entre el niño y el arnés de los hombros sea el del grosor de una mano más o menos.

! No cruce los cinturones de los hombros. Si lo hace, podría presionar el cuello del niño.

Uso de los arneses de los hombros y la cintura

! Con el fin de proteger al niño contra caídas, después de colocarlo en el asiento, compruebe si la altura y el largo de los arneses de los hombros y la cintura son los adecuados.

22 - 1 Anclaje A del arnés de los hombros

22 - 2 Anclaje B del arnés de los hombros

22 - 3 Ajuste deslizante

Para los niños más altos, utilice el anclaje A del arnés de los hombros y las ranuras de los hombros más altas. Para los niños más pequeños, utilice el anclaje B del arnés de los hombros y las ranuras de los hombros más bajas.

Para ajustar la posición del anclaje del arnés de los hombros, gire el anclaje para alinearlo con la parte que está orientada hacia delante. Enhébrele por la ranura del arnés de los hombros de atrás hacia delante. **23** Vuelva a enhebrarlo por la ranura que esté más cerca de la altura de los hombros del niño. **24**

Utilice el ajuste deslizante para cambiar la longitud del arnés. **25 - 1**

Presione el botón **25 - 2** y tire al mismo tiempo del arnés de la cintura hasta que la longitud sea la adecuada. **25 - 3**

Uso del arnés para la entropierna

Hay 2 posiciones para ajustar la correa de la entropierna según los requisitos del niño.

Posición 1 Los bebés más pequeños adoptan esta posición **26 - 1**

Posición 2 Los bebés más grandes adoptan esta posición **26 - 2**

- Saque el arnés de la entrepierna y colóquelo para nivelarlo. **27 - 1** y **27 - 2**
- Gire el anclaje del arnés de la entrepierna de forma que la parte corta quede orientada hacia delante y, a continuación, pásela por la ranura del arnés de la entrepierna. **27 - 3** y **27 - 4**
- Vuelva a pasarla por la ranura más cercana a la entrepierna del niño desde la parte delantera del arnés de la entrepierna. **26**

Ajuste del soporte para las pantorrillas

Se puede colocar el soporte para las pantorrillas en 2 posiciones distintas.

Subir el soporte para las pantorrillas

Para elevar el soporte para las pantorrillas, simplemente tire de él hacia arriba.

Bajar el soporte para las pantorrillas

Presione los botones de ajuste ubicados a ambos lados del soporte para las pantorrillas **28 - 1** y gire el soporte hacia abajo. **28 - 2**

Uso del bloqueo de las ruedas giratorias delanteras

Tire hacia arriba de los bloqueos de las ruedas giratorias delanteras para mantener la dirección del movimiento. **29**

Consejo Se recomienda utilizar los bloqueos de las ruedas giratorias sobre las superficies irregulares.

Uso del freno

Para bloquear las ruedas, pise sobre la palanca del freno empujándola hacia abajo. **30**

Para desbloquear las ruedas, simplemente levante la palanca del freno hacia arriba. **31**

Consejo Ponga siempre el freno cuando el cochecito esté parado.

Ajuste del manillar

El manillar se puede colocar en 3 posiciones distintas.

Para ajustar la altura del manillar, tire de este hacia arriba o hacia abajo **32 - 2** mientras presiona su botón de ajuste. **32 - 1**

Plegado del cochecito

! Pliegue la capota antes de plegar el cochecito.

Presione el asa para reclinar situado en la parte posterior del respaldo para girar este a la posición horizontal. **33**

Levante el botón de plegado, pise el pedal de plegado hacia abajo y empuje el cochecito hacia delante para plegarlo. **33**

El cierre de almacenamiento se trabará automáticamente en el soporte de almacenamiento y el cochecito quedará completamente plegado y bloqueado. **34**

Uso de los accesorios

Es posible que los accesorios se vendan por separado o no estén disponibles, dependiendo de la región.

Uso con el dispositivo de sujeción para niños de Joie

Cuando lo utilice con el dispositivo de sujeción para niños gemm, iGemm 2, iLevel, i-Snug de Joie, consulte las siguientes instrucciones.

- Para acoplar el adaptador, colóquelo en los soportes como se muestra en la figura **35**. Cuando oiga un "clic", significará que el adaptador está completamente bloqueado. **36**
- Para acoplar el dispositivo de sujeción para niños, colóquelo sobre el adaptador como se muestra en la figura **37**. Cuando oiga un "clic", significará que el dispositivo de sujeción para niños está completamente bloqueado. **38**
- Para quitar el dispositivo de sujeción para niños, levántelo hacia arriba **39 - 2** mientras presiona los dos botones de desbloqueo de fijación del cochecito. **39 - 1**

! Si experimenta algún problema al utilizar el cochecito y el adaptador, consulte sus propios manuales de instrucciones.

! Tara quitar el adaptador, tire de él hacia arriba **40 - 2** al tiempo que presione los dos botones de desbloqueo. **40 - 1**

! Quite el adaptador como se muestra en la figura **41**

! No pliegue el cochecito al acoplar el dispositivo de sujeción para niños.

Uso del Chrome capazo

Montaje del capazo

- Abra el soporte del cable situado a ambos lados del capazo **42**. A continuación, haga clic en el cable en las cuatro piezas de plástico. Un sonido de "clic" significa que el soporte del cable es seguro. **42 - 1**

Coloque el colchón en el capazo **43** y alíselo. **43 - 1**

! Utilice siempre el colchón cuando utilice el capazo.

! Podrá quitar fácilmente la funda del colchón para lavarla.

- Ajuste de la capota del capazo

Abra la capota y tire del extremo delantero para asegurarla. **44**

Cierre la capota presionando los botones de plegado situados a ambos lados. **44 - 1**

- Montaje del saco cubrepiés

Coloque el saco cubrepiés sobre el capazo y, a continuación, acople los 5 pares de velcros. **45 - 1**

El capazo se muestra completamente montado en la figura **45**

Colocación del capazo en el chasis

Alinee los laterales del capazo con los adaptadores de la estructura.

Coloque el capazo directamente hacia abajo hasta que quede sujeto en su posición. **46**

El sonido de un clic le indicará que el capazo está completamente montado. **47**

! Quite siempre los adaptadores antes de utilizar el capazo.

! No pliegue el cochecito al acoplar el capazo.

Retirada del capazo

Presione los botones de desbloqueo situados a ambos lados del capazo **48 - 1** y, a continuación, levántelo hacia arriba. **48 - 2**

Uso del saco cubrepiés

El saco cubrepiés mullido puede proporcionar a su hijo un entorno cálido y cómodo para dormir.

Monte el saco cubrepiés siguiendo estos pasos.

- Ajuste el soporte para las pantorrillas y el respaldo a la posición nivelada y a la posición de inclinación, respectivamente, antes de montar el saco cubrepiés. **49**

- Cubra el soporte para las pantorrillas con el saco cubrepiés. **50**

El saco cubrepiés montado se muestra en la figura **51**

Uso de la cubierta impermeable

Para montar la cubierta impermeable, colóquela sobre el cochecito. 52

- ! Antes de usar la cubierta impermeable, asegúrese de que el asiento esté abrochado.
- ! Cuando utilice la cubierta impermeable, deberá asegurarse siempre de que tenga una ventilación adecuada.
- ! Cuando no vaya a utilizar la cubierta impermeable, asegúrese de que esté limpia y seca antes de plegarla.
- ! No pliegue el cochecito después de montar la cubierta impermeable.
- ! No coloque al niño en el cochecito con la cubierta impermeable montada si la temperatura es cálida.
- ! El producto solamente se debe utilizar bajo la supervisión de un adulto. No lo utilice en una sillita sin capota.

Uso de la forro del asiento

consulte las imágenes 53

Uso del protector acolchado del arnés de los hombros y del arnés de la entrepierna

El protector de acolchado del arnés de los hombros o del arnés de la entrepierna puede extraerse desde la cincha. Simplemente invierta estos pasos para volver a montar el protector del acolchado del arnés de los hombros y del arnés de la entrepierna.

Cuidados y mantenimiento

- ! Para lavar el acolchado extraíble del asiento, puede hacerlo con agua fría y dejarlo escurrir. No utilice lejía.
- ! Para limpiar la estructura del cochecito, utilice únicamente jabón para uso doméstico y agua tibia. No utilice lejía ni detergente.
- ! Examine periódicamente su cochecito por si tuviera tornillos sueltos, piezas desgastadas, materiales dañados o descosidos. Sustituya o repare las piezas que lo requieran.
- ! Una exposición excesiva al sol o al calor podría decolorar o deformar las piezas.
- ! Si se moja el cochecito, abra la capota y deje que se seque completamente antes de guardarlo.
- ! Si chirrían las ruedas, utilice un aceite suave (por ejemplo: spray de silicona, aceite antioxidante o aceite para máquinas de coser). Es importante que el aceite llegue al ensamblaje de las ruedas y el eje. 54
- ! Cuando utilice su cochecito en la playa, límpielo completamente después de usarlo para eliminar cualquier resto de arena y sal que haya podido quedar en los ensamblajes de las ruedas y los mecanismos.

Félicitations, vous faites désormais partie de la famille Joie ! Nous sommes très heureux que vous ayez choisi Joie pour équiper votre bébé. Lorsque vous le promenez dans la poussette chrome™, vous utilisez une poussette de grande qualité, conforme aux normes européennes de sécurité EN 1888-2:2018 et testée régulièrement dans un laboratoire agréé indépendant. Elle peut être utilisée en duo avec la nacelle Joie prévue à cet effet qui est, elle aussi conforme à la norme EN 1466:2014/AC:2015. Ce produit convient aux enfants jusqu'à 22 kg ou 4 ans, selon la première éventualité. Merci de lire attentivement le manuel d'utilisation et de suivre chaque recommandation afin d'assurer à votre enfant confort et sécurité.

IMPORTANT - A LIRE ATTENTIVEMENT ET A CONSERVER POUR CONSULTATION ULTERIEURE.

Visitez-nous sur joiebaby.com pour télécharger des manuels et pour découvrir d'autres produits intéressants de la marque Joie!

Table des matières

Schémas	1-10
AVERTISSEMENTS	43
Assemblage de la poussette	44
Ouverture de la poussette	44
Installation des roues avant	45
Installation des roues arrière	45
Installation de la capote	45
Installation de la barre d'appui	45
Utilisation de la poussette	45
Utilisation de la capote	45
Fonctionnement de l'assise	45
Réglage de l'inclinaison	45
Utilisation de la boucle	46
Utilisation des harnais (épaules et ceinture)	46
Utilisation de l'entrejambes	46
Réglage du repose jambes	47
Utilisation du dispositif de verrouillage des roues	47
Utilisation du frein	47
Réglage du guidon	47
Pliage de la poussette	47
Installation des accessoires	47
Entretien et réparations	49

En cas d'urgence

En cas d'urgence ou d'accident, il est très important de prendre immédiatement soin de votre enfant en lui prodiguant les soins de premiers secours puis en le faisant examiner par un médecin.

Informations sur le produit

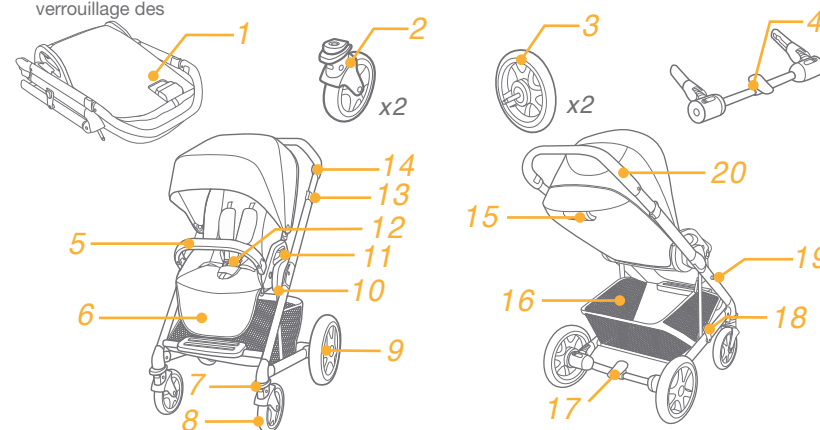
Lisez attentivement les instructions de ce manuel avant d'utiliser le produit. Si vous avez besoin d'informations complémentaires, merci de contacter votre revendeur. Les caractéristiques peuvent varier en fonction des modèles.

Produit	Poussette Chrome
Utilisable	Ce produit convient aux enfants jusqu'à 22 kg ou 4 ans, selon la première éventualité.
Matériaux	Plastique, métal, tissu
No. brevet	Brevet en cours d'agrément
Fabriqué en	Chine
Nom de la marque	Joie
Page Web	www.joiebaby.com
Fabricant	Allison GmbH

Liste des composants

Assurez-vous que toutes les pièces sont présentes avant le montage. Si une pièce manque, contactez votre revendeur. Les outils ne sont requis pour l'assemblage.

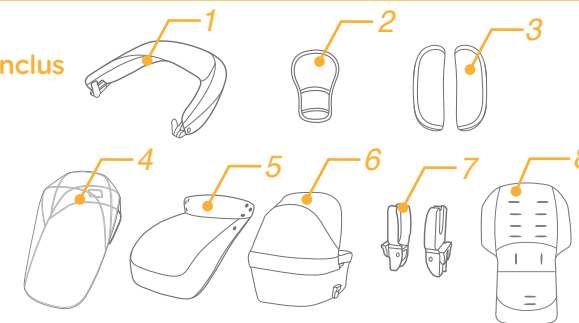
1 Châssis	roues	13 Harnais épaules	17 Pédale de frein
2 Roues avant (X2)	8 Roues avant	14 Bouton pliage	18 Loquet pour le panier
3 Roues arrière (X2)	9 Roues arrière	15 Bouton pour le réglage de la poignée	19 Loquet d'attache du panier
4 Système de freinage	10 Support du siège	16 Panier de rangement	20 Guidon
5 Accoudoir	11 Bouton pour détacher le siège		
6 Repose jambes	12 Boucle		
7 Dispositif de verrouillage des			



Accessoires

(Peuvent ne pas être inclus lors de l'achat)

- 1 Capote
- 2 Protège harnais (taille)
- 3 Protège harnais (épaules)
- 4 Habillage de pluie
- 5 Chancelière
- 6 Nacelle
- 7 Adaptateurs
- 8 Assise du siège



AVERTISSEMENTS

- ! AVERTISSEMENT : Ne jamais laisser l'enfant sans surveillance
- ! AVERTISSEMENT : S'assurer que tous les dispositifs de verrouillage sont enclenchés avant utilisation
- ! AVERTISSEMENT : S'assurer que les dispositifs de fixation du cadre de la poussette et du siège sont correctement enclenchés avant utilisation
- ! AVERTISSEMENT : Pour éviter toute blessure, maintenir votre enfant à l'écart lors du dépliage ou du pliage du produit
- ! AVERTISSEMENT: Toujours utiliser le système de retenue
- ! AVERTISSEMENT : Ne pas laisser votre enfant jouer avec ce produit
- ! AVERTISSEMENT : Ce produit ne convient pas pour faire du jogging ou des promenades en rollers.
- ! AVERTISSEMENT Assurez-vous que le dispositif de blocage à l'arrêt est enclenché lorsque l'on place l'enfant dans le véhicule ou qu'on l'en sort.
- ! AVERTISSEMENT : Ne pas utiliser d'accessoires qui ne sont pas approuvés par le fabricant
- ! AVERTISSEMENT : Seules les pièces de rechange fournies ou recommandées par le fabricant/distributeur doivent être utilisées
- ! AVERTISSEMENT : Toute charge attachée au poussoir et/ou à l'arrière du dossier et/ou sur les côtés du véhicule peut influencer sur la stabilité du véhicule
- ! AVERTISSEMENT : Vérifier que les dispositifs de fixation de la nacelle, du siège ou du siège auto sont correctement enclenchés avant utilisation
- ! AVERTISSEMENT : Ce véhicule ne remplace pas un couffin ou un lit. Lorsque l'enfant a besoin de dormir il convient de le placer dans une nacelle, un couffin ou un lit approprié
- ! L'assemblage doit être réalisé par un adulte.
- ! Utilisez la poussette avec un enfant qui pèse moins de 22 kg. L'utilisation avec un enfant plus grand peut endommager la poussette.
- ! Pour prévenir une condition dangereuse, instable, ne rangez plus de 4,5 kg dans le panier de rangement.
- ! Utilisez la poussette seulement avec un enfant à la fois. Ne rangez pas des sacs à main, des bourses d'achats, des colis ou d'autres accessoires sur la poignée ou le baldaquin.
- ! Veuillez lire toutes les instructions du manuel avant d'utiliser ce produit. Veuillez garder le mode d'emploi pour consultation dans l'avenir. Manquer de suivre ces avertissements et ces instructions peut entraîner des blessures graves voire mortelles.
- ! Afin d'éviter des blessures graves à cause des chutes ou des glissements, utilisez toujours le système de retenue.
- ! Assurez-vous que le corps de votre enfant n'est pas dans la proximité des parties mobiles lorsque vous réglez la poussette.
- ! L'enfant peut glisser dans les ouvertures pour les jambes et peut s'étrangler si le harnais n'est pas utilisé.
- ! N'utilisez jamais la poussette sur des marches ou des élévateurs.
- ! Gardez à distance des objets à températures hautes, des liquides et des objets électroniques.

- ! Ne permettez jamais à votre enfant de rester debout dans la poussette ou de rester assis dans la poussette la tête vers la partie avant de la poussette.
- ! Ne stationnez jamais la poussette sur les rues, les pentes inclinées ou les zones dangereuses.
- ! Assurez-vous que tous les mécanismes sont fixés avant d'utiliser la poussette.
- ! Pour éviter l'étranglement, NE mettez pas des objets avec des ficelles autour du cou de l'enfant, suspendez les ficelles de ce produit ou attachez les ficelles aux jouets.
- ! Pour prévenir le renversement, NE rangez rien sur la poignée.
- ! NE levez pas la poussette lorsque l'enfant se trouve dans la poussette.
- ! N'utilisez pas le panier de rangement pour porter l'enfant.
- ! Pour prévenir le renversement, ne laissez jamais l'enfant rester debout dans la poussette.
- ! Faites attention lorsque vous pliez ou dépliez la poussette de ne pas vous pincer les doigts.
- ! Pour éviter l'étranglement, assurez-vous que vous tenez l'enfant loin de la capote.
- ! Activez toujours les freins lorsque vous stationnez la poussette.
- ! Cessez d'utiliser la poussette si elle est endommagée ou cassée.
- ! Pour éviter l'étouffement, enlever le sac en plastique et les matériaux pour l'emballage avant d'utiliser le produit. Le sac en plastique et les matériaux pour l'emballage doivent puis être tenus hors de la portée des bébés et des enfants.
- ! Il est recommandé d'utiliser la poussette pour les nouveaux-nés dans la position la plus allongée.
- ! Le dispositif de stationnement doit être activé pour asseoir ou lever l'enfant.
- ! La nacelle correspond seulement pour un enfant qui ne peut pas se tenir droit sans aide, qui ne peut pas rouler et se lever lui-même sur ses bras et genoux. Le poids maximum de l'enfant: 9 kilos
- ! N'utilisez et n'ajoutez pas un matelas autre que celui fourni avec la nacelle.
- ! Veuillez vous assurer que la tête de l'enfant dans la nacelle n'est jamais plus basse que le corps de l'enfant.
- ! Veuillez vous assurer que la poignée de la nacelle est dans la position d'utilisation correcte avant de la transporter ou de la soulever.
- ! Les poignées et le revers doivent être inspectés régulièrement à la recherche de signes de dommages et d'usure.
- ! Ce produit convient aux enfants jusqu'à 22 kg ou 4 ans, selon la première éventualité.

Assemblage de la poussette

Veuillez lire toutes les instructions de ce manuel avant de monter et d'utiliser ce produit.

Ouverture de la poussette

Séparez le loquet de fermeture du support ❶ et puis levez la poignée en haut ❷, un clac signifie que la poussette est maintenant complètement ouverte. le dossier en position verticale. ❸

- ! Assurez-vous que la poussette est complètement ouverte avant de continuer.

Installation des roues avant

Fixez les roues avant sur les supports avant. Vérifiez si les roues sont attachées solidement en tirant dessus avec force. **4** Pour désassembler la roue avant, détachez la roue avant du support avant **5 - 2** en appuyant sur les loquets en forme de plaque. **5 - 1**

Fixation des roues arrière

Assemblez les freins au support arrière **6**, assemblez les roues arrière sur l'ensemble des freins **7**. Tirez le tube du porte-bagages en arrière et enveloppez le tube de connexion des supports arrière avec le volet du porte-bagages, et puis alignez les trois boutons. **8 - 1**.

! Vérifiez si les roues sont bien enclenchées en tirant sur l'ensemble des roues.

Pour désassembler la roue arrière, détachez la roue arrière du support pour la roue arrière **7 - 2** en appuyant le bouton de détachement. **7 - 1**

Fixation de la barre d'appui

Alignez les embouts de LA BARRE D'APPUI avec les encoches situées sur le châssis, puis glissez-les dedans. **9**

Pour démonter la barre d'appui, appuyez sur les boutons dégager les embouts. **10 - 1**, et puis enlevez la barre d'appui. **10 - 2**

Installation de la capote

Introduisez les pinces du baldaquin dans l'armature sur les tubes, et puis serrez le volet arrière au dossier avec 2 sangles élastiques. **11**

i. Engagez d'abord la sangle de la capote avec les boutons d'inclinaison. **11 - 1**

ii. Puis engagez la pièce souple avec la sangle de la capote et les boutons. **11 - 2**

La poussette complètement assemblée est montrée dans **12**

Utilisation de la poussette

Utilisation de la capote

Ouvrez la fermeture éclair, puis tirez la capote vers l'avant pour l'ouvrir complètement. **13**

! Veuillez régler le dossier en position verticale avant d'ouvrir la capote pour plus de commodité. **14**

! Veuillez appuyer sur le dossier avant d'ouvrir la capote si le réglage du dossier en position verticale n'est pas commode. **15**

Pour plier la capote, tirez-la vers l'arrière.

Pour retirer la capote, détachez les attaches de la monture tout en appuyant sur la patte de fixation **16**, puis détachez les deux paires de boutons (utilisés pour attacher le tissu de la capote au siège), à présent ôtez la capote. **11**

! Une fois installée, retirer régulièrement la capote n'est pas recommandé.

Rotation du siège.

L'assise de la poussette est réversible ce qui permet d'installer bébé face à vous ou face au monde.

Appuyez sur les boutons pour détacher le siège et enlevez-le. **17** Tournez le siège dans la position inverse, puis installez le siège dans l'autre sens en introduisant les attaches dans les encoches prévues à cet effet. **18**

Réglage du dossier

Il y a 5 angles pour le dossier.

Pour incliner le dossier, serrez le bouton de réglage **19 - 1**, et puis réglez le dossier à l'angle désiré. **19 - 2** Pour lever le dossier, pressez en haut.

! Assurez-vous que l'angle d'inclinaison est proprement réglé pour être utilisé.

Utilisation de la boucle

Dégagement de la boucle

Pressez le bouton central pour dégager la boucle. **20**

Enclenchement de la boucle

Ajustez la boucle de la ceinture de retenue avec celle pour les épaules **21 - 1**, et introduisez-les dans la boucle au milieu. **21 - 2** Un clac signifie que la boucle est complètement enclenchée. **21 - 3**

! Pour éviter des blessures graves à cause de la chute ou du glissement de la poussette, attachez toujours l'enfant avec le harnais.

! Assurez-vous que l'enfant est bien attaché de manière confortable. L'espace entre l'enfant et la ceinture pour les épaules est d'environ l'épaisseur de la paume.

! Ne croisez pas les ceintures pour les épaules. Ceci entraîne de la pression sur le cou de l'enfant.

Utilisation du harnais au niveau des épaules et de la ceinture

! Pour protéger l'enfant afin de ne pas tomber de la poussette, après avoir assis l'enfant dans le siège, vérifiez si les harnais pour les épaules et la ceinture pour la retenue ont la hauteur et la longueur correspondante.

22 - 1 Boucle A du harnais pour les épaules

22 - 2 Boucle B du harnais pour les épaules

22 - 3 Boucle pour faire coulisser la sangle et la régler à bonne hauteur

Pour un enfant plus grand, utilisez la boucle A du harnais pour les épaules et faites coulisser le dispositif de réglage de la sangle vers le haut. Pour un enfant plus petit, utilisez la boucle B du harnais pour les épaules et faites coulisser le dispositif de réglage de la sangle vers le bas.

Pour régler la position de la boucle pour le harnais pour les épaules, tournez la boucle puis introduisez-la dans une des fentes située sur le dossier à la hauteur que vous avez choisie. Cette opération terminée, tirez sur la sangle afin d'en vérifier la fixation. **23** Recommencez l'opération avec la deuxième sangle de harnais. **24**

Utilisez la boucle de réglage pour régler la longueur du harnais. **25 - 1**

Pressez le bouton **25 - 2**, en tirant la ceinture à la longueur correspondante. **25 - 3**

Utilisation du harnais de l'entrejambe

Il existe 2 positions pour régler le harnais au niveau de l'entrejambes.

Utilisez la position 1 pour les plus petits **26 - 1**

Utilisez la position 2 pour les plus petits **26 - 2**

i. Dégagez la boucle et tirez-la vers l'arrière afin de procéder à l'opération suivante. **27 - 1 & 27 - 2**

ii. Faites tourner la boucle à 90° de manière à la faire passer dans la fente. **27 - 3 & 27 - 4**

iii. Repassez la boucle dans la fente pour obtenir la position du harnais d'entrejambes voulue. **28**

Réglage du repose jambes

Il existe 2 positions pour régler le repose jambes

Pour relever le repose jambes, remontez-le vers le haut.

Pour abaisser le repose jambes, appuyez sur les boutons de réglage qui se situent sur les deux côtés du repose jambes **28** - 1 , et poussez-le vers le bas. **28** - 2

Utilisation du dispositif de blocage des roues avant

Appuyez sur les verrous de blocage afin d'empêcher les roues avant de pivoter. **29**

Tip Il est recommandé de bloquer les roues avant lorsque la poussette est roulée sur des surfaces irrégulières

Utilisation des freins

Pour bloquer les roues, appuyez le pied sur la pédale des freins. **30** Pour libérer les roues, relevez avec le pied la pédale des freins. **31**

Tip Enclenchez toujours le frein lorsque la poussette est en position de stationnement.

Réglage du guidon

Il existe 3 positions de réglage du guidon.

Pour régler la hauteur le guidon, actionnez-le haut ou en bas **32** - 2 en tirant sur les 2 mollettes de réglage situées sur le guidon. **32** - 1

Pliage de la poussette

! Veuillez replier la capote avant de plier la poussette.

Appuyez sur la poignée de réglage du dossier pour le faire pivoter vers l'avant en position horizontale. **33**

Déverrouillez les mollettes de pliage, en les faisant glisser vers le haut puis, poussez le guidon vers l'avant pour engager le pliage et plier la poussette. **33**

Le loquet de fermeture s'accrochera automatiquement sur le support situé sur le châssis afin de maintenir pliée la poussette. **34**

Utilisation des accessoires

Les accessoires peuvent être vendus séparément ou peuvent ne pas être disponibles selon la région.

Utilisation de la poussette avec une coque siège auto

Lorsque vous utilisez une coque de Joie gemm, iGemm 2, iLevel, i-Snug, veuillez consulter les instructions suivantes.

1. Avant toutes choses, retirez l'assise. Puis, introduisez les adaptateurs dans les fentes de fixation **35**, les adaptateurs sont correctement enclenchés. **36**
2. Pour fixer la coque, clippez la coque (face à vous) sur les adaptateurs comme sur le schéma **37**, la coque est correctement installée. **38**
3. Pour enlever la coque tirez-la vers le haut **39** - 2 en appuyant sur les deux boutons de la coque pour déverrouiller le dispositif de blocage. **39** - 1

! Si vous rencontrez des difficultés concernant l'utilisation de la poussette et des adaptateurs, veuillez consulter leurs propres modes d'emploi.

! Pour enlever les adaptateurs déverrouillez le système en tirant sur le bouton et enlevez-les **40** - 2 **40** - 1

! Rangez soigneusement les adaptateurs. **41**

Utilisation de la Chrome nacelle

Montage de la

1. Remontez les deux supports métalliques sur chacun des côtés de la nacelle **42**, Puis cliquez-les chacun sur deux butées en plastique, Un clac signifie que le support métallique est correctement enclenché. **42** - 1

Installez le matelas dans la nacelle, **43** et puis arrangez-le. **43** - 1

! Assurez-vous que le matelas est dans la nacelle lorsque vous utilisez la nacelle.

! L'enveloppe du matelas peut être enlevée pour la nettoyer facilement.

2. Réglage de la capote de la nacelle

Pour installer la capote, tirez-la vers l'avant. **44**

Pour replier la capote, appuyez sur les deux boutons situés de part et d'autre de la capote et poussez la vers l'arrière. **44** - 1

3. Installation de la chancelière de la nacelle

Placez la chancelière sur la nacelle, puis fixez les 5 paires de fermetures Velcro. **45** - 1

La nacelle est complètement assemblée comme le montre le schéma. **45**

Fixation de la nacelle

Placez les côtés de la nacelle sur les les fentes de fixation du châssis, puis glissez-la vers le bas, un clac signifie que la nacelle est correctement installée et le dispositif bien verrouillé. **46**

! Assurez-vous que les adaptateurs sont enlevés avant d'utiliser la nacelle. **47**

Retrait de la nacelle

Appuyez sur les boutons du système de fixation **48** - 1 , et puis tirez-la vers le haut. **48** - 2

Utilisation de la chancelière

La chancelière permettra à votre enfant de rester au chaud à l'arrivée des premiers froids. Installez la chancelière en respectant les étapes suivantes.

1. Positionnez le repose jambes à l'horizontal et le dossier en position assise. Enfilez la chancelière autour du repose jambes. **49**
2. Faites passer le revers de la chancelière sous la barre d'appui. **50**

La chancelière doit être installée comme dans le schéma **51**

Utilisation de l'habillage de pluie

Pour installer l'habillage de pluie, placez-le sur la poussette. **52**

! Avant d'utiliser l'habillage de pluie, assurez-vous que l'assise de siège est bien fixée.

! Lorsque vous utilisez l'habillage de pluie, veuillez toujours vérifier la bonne ventilation.

! Lorsque vous n'utilisez pas l'habillage de pluie, vérifiez qu'il a été nettoyé et séché avant d'être plié.

! Ne pliez pas la poussette avec l'habillage de pluie dessus.

! Pendant les périodes de grosse chaleur, n'utilisez pas l'habillage de pluie quand votre enfant est installé dans la poussette.

! À utiliser sous la surveillance d'un adulte. Ne pas utiliser sur une poussette qui n'a pas de capote.

Utilisation d'un insert pour l'assise

Voir les images [53](#)

Utilisation des protège harnais (épaules - ceinture)

Les protège harnais qui sont situés au niveau des épaules ou de la ceinture sont amovibles pour pouvoir être lavés.

Entretien et réparations.

- ! L'assise du siège est détachable et peut être lavée à l'eau tiède et au savon. Il est recommandé de la faire sécher à plat pour éviter les plis et de ne jamais utiliser d'eau de javel ou de détergent.
- ! Pour nettoyer l'armature de la poussette, utilisez seulement du savon et de l'eau chaude. Ne jamais utiliser de chlore, eau de javel ou autre détergent.
- ! Vérifiez régulièrement la poussette pour détecter des vis desserrées, pièces usagées, tissu ou couture déchirée. Seules les pièces de rechange fournies ou recommandées par le fabricant/distributeur doivent être utilisées.
- ! L'exposition prolongée au soleil ou à la chaleur peut entraîner à terme la décoloration ou la déformation des tissus.
- ! Lorsque la poussette est humide, ouvrez la capote et laissez-la sécher complètement avant de la replier.
- ! Si les roues grincement, mettez un peu d'huile en ayant pris soin de nettoyer les roues au préalable. Il est important de nettoyer régulièrement le système de roues ou l'essieu. [54](#)
- ! Lorsque vous utilisez la poussette sur la plage ou sur des terrains très poussiéreux, nettoyez-la complètement après utilisation pour enlever le sable et le sel des mécanismes et les systèmes de roues.

DE Willkommen bei Joie™

Glückwunsch, dass Sie ein Mitglied der Joie-Familie werden! Wir freuen uns sehr, Teil Ihres Lebens mit Baby zu sein. Mit dem Joie chrome™ nutzen Sie einen hochwertigen und umfassend zertifizierten Kinderwagen, der gemäß der europäischen Sicherheitsstandards EN 1888-2:2018 zugelassen ist und mit der Joie Chrome Babywanne (zertifiziert nach EN 1466:2014/AC:2015) genutzt werden kann. Dieses Produkt eignet sich für Kinder bis 22 kg oder 4 Jahre, was auch immer zuerst eintritt. Bitte lesen Sie diese Anleitung aufmerksam durch und beachten Sie die einzelnen Schritte zur Gewährleistung einer komfortablen Fahrt und optimalen Sicherheit für Ihr Kind.

Bitte bewahren Sie die Anleitung für spätere Bezugnahme auf.

Besuchen Sie uns unter de.joiebaby.com, um Bedienungsanleitungen herunterzuladen und weitere Joie-Produkte kennenzulernen.

! Wichtig – Bitte sorgfältig lesen und für späteres Nachlesen unbedingt aufbewahren.

Inhalt

Abbildungen	1-10
WARNUNG	53
Montage des Kinderwagens	54
Kinderwagen öffnen	55
Vorderräder montieren	55
Hinterräder montieren	55
Verdeck anbringen	55
Spielbügel montieren	55
Bedienung des Kinderwagens	55
Verwendung des Verdecks	55
Sitzrichtung umkehren	55
Rückenlehne anpassen	56
Schnalle bedienen	56
Schulter & Taillengurte anlegen	56
Verwendung des Schrittgurts	56
Beinauflage anpassen	57
Vorderräder feststellen	57
Bremsen bedienen	57
Schiebebügel anpassen	57
Kinderwagen zusammenklappen	57
Zubehör verwenden	57
Pflege und Wartung	59

Notfall

Bei einem Notfall oder Unfall ist es am wichtigsten, dass Ihr Kind unverzüglich erste Hilfe bekommt und medizinisch versorgt wird.

Produktinformationen

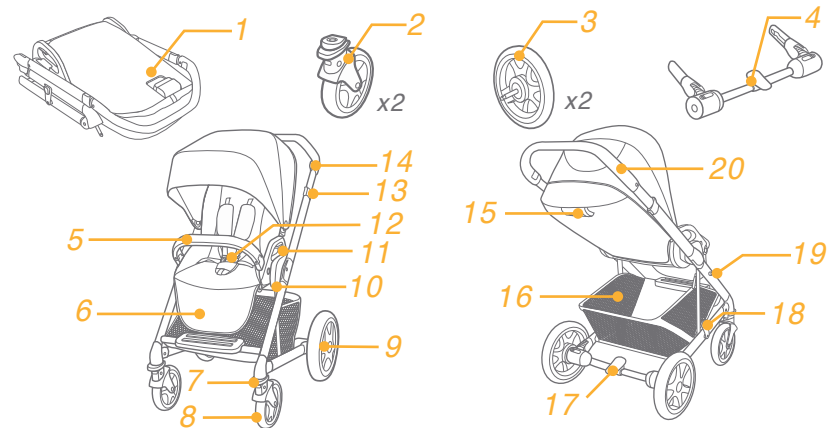
Lesen Sie alle Hinweise in dieser Anleitung, bevor Sie dieses Produkt verwenden. Bei weiteren Fragen wenden Sie sich bitte an Ihren Händler. Einige Merkmale können je nach Modell variieren.

Produkt	Chrome Kinderwagen
Geeignet für	Dieses Produkt eignet sich für Kinder bis 22 kg oder 4 Jahre, was auch immer zuerst eintritt.
Materialien	Kunststoff, Metall, Stoffe
Patent Nr.	Patente angemeldet
Hergestellt in	China
Markenname	Joie
Webseite	www.joiebaby.com
Hersteller	Allison GmbH

Teileliste

Stellen Sie vor der Montage sicher, dass alle Teile vorhanden sind. Falls etwas fehlen sollte, wenden Sie sich bitte an Ihren Händler vor Ort. Für die Montage werden keine Werkzeuge benötigt.

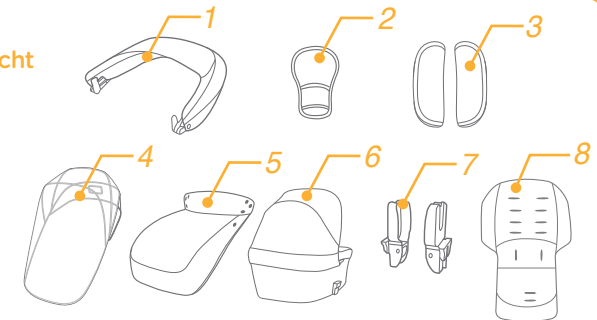
1 Kinderwagengestell	7 Lenkstopp	13 Schultergurt	19 Ablageverschluss
2 Vorderrad (x 2)	8 Vorderrad	14 Zusammenklappknopf	befestigung
3 Hinterrad (x 2)	9 Hinterrad	15 Griffstellknopf	20 Schiebepügel
4 Bremsanlage	10 Sitzhalterung	16 Ablagekorb	
5 Armlehne	11 Sitzfreigabeknopf	17 Bremshebel	
6 Beinauflage	12 Verschluss	18 Ablageverschluss	



Zubehör

(im Lieferumfang evtl nicht enthalten)

- 1 Verdeck
- 2 Schrittgurtpolster
- 3 Schultergurtpolster
- 4 Regenschutz
- 5 Fußsack
- 6 Babywanne
- 7 Adapter
- 8 Sitzaufgabe



Zubehör wird möglicherweise separat verkauft oder ist je nach Region nicht verfügbar.

WARNHINWEISE

- ! Vergewissern Sie sich vor Gebrauch, dass alle Verriegelungen eingerastet sind
- ! Vergewissern Sie sich, dass das Kind beim Aufklappen und Zusammenklappen des Wagens außer Reichweite ist, um Verletzungen zu vermeiden
- ! Lassen Sie das Kind nicht mit dem Produkt spielen
- ! Verwenden Sie immer das Rückhaltesystem
- ! Vergewissern Sie sich vor der Verwendung, dass der Kinderwagenaufsatz oder der Sitzeinheit oder die Befestigungselemente des Autositzes korrekt eingerastet sind.
- ! Der Zusammenbau muss von einem Erwachsenen durchgeführt werden.
- ! Bei Verwendung für Kinder mit einem Gewicht höher als 22 kg kann der Kinderwagen beschädigt werden.
- ! Um eine gefährliche Instabilität zu vermeiden, beladen Sie den Staukorb nicht mit mehr als 4,5 kg.
- ! Lassen Sie das Kind nie unbeaufsichtigt. Behalten Sie ein Kind im Kinderwagen stets im Auge.
- ! Legen Sie immer nur jeweils ein Kind in den Kinderwagen. Legen Sie niemals Geldbörsen, Einkaufstaschen, Pakete oder Zubehör auf den Griff oder das Verdeck.
- ! Überladen, falsches Zusammenklappen oder Verwendung von Teilen anderer Hersteller können den Kinderwagen beschädigen, unbrauchbar oder unsicher machen.
- ! Verwenden Sie es niemals Ersatzteile von anderen Herstellern. Verwenden Sie nur vom Hersteller gelieferte oder empfohlene Ersatzteile.
- ! Lesen Sie alle Hinweise in dieser Anleitung, bevor Sie das Produkt verwenden. Wichtig – Bewahren Sie diese Gebrauchsanleitung für späteres Nachlesen gut auf. Die Nichtbeachtung dieser Warnhinweise könnte zu schweren oder tödlichen Verletzungen führen.
- ! Die Sicherheits- und Befestigungsgurte müssen richtig eingesetzt werden.
- ! Verwenden Sie stets den Sicherheitsgurt, um Verletzungen durch Herausfallen oder Herausrutschen zu vermeiden.
- ! Achten Sie bei den Einstellungen am Kinderwagen darauf, dass der Körper Ihres Kindes nicht mit den beweglichen Teilen in Kontakt kommt.
- ! Das Kind kann in die Beinöffnungen rutschen und ersticken, wenn die Gurte nicht angelegt sind.
- ! Transportieren Sie den Kinderwagen niemals über Treppenstufen oder Rolltreppen.
- ! Halten Sie den Kinderwagen von heißen/Hitze erzeugenden Gegenständen, Flüssigkeiten und Elektrogeräten fern.
- ! Lassen Sie Ihr Kind niemals im Kinderwagen stehen oder mit dem Kopf zur Vorderseite des Kinderwagens gerichtet sitzen.
- ! Stellen Sie den Kinderwagen niemals auf Straßen, an Hanglagen oder in Gefahrenbereichen ab.
- ! Achten Sie vor Verwendung des Kinderwagens darauf, dass alle Teile sachgemäß befestigt wurden.
- ! Platzieren Sie KEINE Gegenstände mit einem Band oder Faden um den

Hals Ihres Kindes, hängen Sie KEINE Bänder oder Fäden an dieses Produkt und bringen KEINE Bänder oder Fäden an Spielzeugen an, damit sich das Kind nicht strangulieren kann.

- ! Jegliche am Griff, an der Rückseite der Rückenlehne oder an den Seiten des Kinderwagens angebrachte Last beeinträchtigt die Stabilität des Kinderwagens.
- ! Heben Sie den Kinderwagen NICHT an, wenn sich ein Kind darin befindet.
- ! Verwenden Sie den Staukorb NICHT als Kindersitz.
- ! Der Kinderwagen kann umkippen, wenn Ihr Kind darauf klettert. Heben Sie das Kind stets in den bzw. aus dem Kinderwagen.
- ! Seien Sie beim Auf- und Zusammenklappen des Kinderwagens vorsichtig, damit Sie sich die Finger nicht einklemmen.
- ! Stellen Sie sicher, dass der Kinderwagen vollständig geöffnet ist, bevor Sie das Kind hineinsetzen.
- ! Zur Gewährleistung der Sicherheit Ihres Kindes achten Sie vor der Verwendung des Kinderwagens darauf, dass alle Teile sachgemäß montiert und befestigt sind. Vergewissern Sie sich vor der Verwendung, dass der Kinderwagenaufsatz, die Sitzeinheit oder die Befestigungselemente des Autositzes korrekt eingerastet sind.
- ! Zur Vermeidung einer Strangulation darf sich das Kind nicht an das Verdeck anlehnen oder sich damit bedecken.
- ! Ziehen Sie stets die Bremsen an, wenn Sie den Kinderwagen abstellen.
- ! Verwenden Sie den Kinderwagen nicht, wenn er defekt oder beschädigt ist.
- ! ACHTUNG Der Kinderwagen sollte nur mit Schrittgeschwindigkeit geschoben werden. Dieses Produkt ist nicht zum Joggen oder Skaten geeignet.
- ! Entfernen Sie zur Vermeidung von Erstickungsgefahr den Kunststoffbeutel und sämtliche Verpackungsmaterialien vor dem ersten Einsatz. Halten Sie Kunststoffbeutel und Verpackungsmaterialien von Säuglingen und Kindern fern.
- ! Für Kinder, die noch nicht selbständig sitzen können, sollte die Rückenlehne in die am stärksten geneigte Position gebracht werden.
- ! Nutzen Sie die Feststellbremse, wenn Sie das Kind hineinlegen oder herausnehmen.
- ! Auch wenn ein Kind in diesem Wagen gesichert durch Gurte liegen kann, ist er kein Ersatz für ein Bett. Falls Ihr Kind müde ist, sollten Sie es in einen geeigneten Kinderwagen, ein Gitter- bzw. Babybett legen.
- ! Die Babywanne eignet sich nur für Kinder, die nicht selbstständig sitzen, sich drehen und/oder mit Händen und Knien abstützen können. Maximalgewicht des Kindes: 9 kg.
- ! Verwenden Sie nur die mit der Babywanne gelieferte Matratze; fügen Sie KEINE weitere Matratze hin.
- ! Dieses Produkt eignet sich für Kinder bis 22 kg oder 4 Jahre, was auch immer zuerst eintritt.

Montage des Kinderwagens

Lesen Sie bitte alle Hinweise in dieser Anleitung, bevor Sie dieses Produkt montieren und verwenden.

Kinderwagen öffnen

Lösen Sie den Aufbewahrungsverschluss von der Befestigung **1** und heben Sie den Handgriff nach oben **2**, hören Sie, wie er einrastet, ist der Kinderwagen vollständig geöffnet. Stellen Sie die Rückenlehne senkrecht. **3**

! Prüfen Sie, ob der Kinderwagen vollständig offen ist, bevor Sie fortfahren.

Vorderräder montieren

Montieren Sie die Vorderräder an der Vorderachse. Prüfen Sie durch Ziehen an den Räder, ob diese sicher befestigt sind. **4**

Entfernen Sie ein Vorderrad, indem Sie es von der Vorderradhalterung **5 - 2** lösen, während Sie den Freigabeknopf gedrückt halten. **5 - 1**

Hinterräder anbringen

Montieren Sie die Bremsvorrichtung an der Hinterachse **6**, montieren Sie die Hinterräder an der Bremsvorrichtung **7**. Ziehen Sie das Rohr des Korbs nach hinten und umwickeln Sie das Verbindungsrohr der Hinterachse mit dem Stoff des Korbs und schließen Sie die drei Knöpfe **8 - 1**.

! Prüfen Sie durch Ziehen an den Rädern, ob diese sicher befestigt sind.

Entfernen Sie ein Hinterrad, indem Sie es von der Hinterradhalterung **7 - 2** lösen, während Sie den Freigabeknopf gedrückt halten. **7 - 1**

Spielbügel montieren

Richten Sie die Enden des Spielbügels zu dessen Befestigung aus und schieben Sie ihn hinein. **9**

Zur Entfernung des Spielbügels drücken Sie den Freigabeknopf des Spielbügels **10 - 1**, und ziehen dann den Spielbügel heraus. **10 - 2**

Verdeck anbringen

Schieben Sie die Clips des Verdecks in die Befestigung am Fahrgestell, und befestigen Sie den hinteren Teil mit den 2 elastischen Bändern an der Rücklehne. **11**

i. Befestigen Sie das Verdeckgurtband zunächst mit den Neigungseinstellknöpfen. **11 - 1**

ii. Befestigen Sie dann die Textilteile mit dem Verdeckgurtband und den Knöpfen. **11 - 2**

Der vollständig montierte Kinderwagen ist in Abbildung **12** dargestellt.

Bedienung des Kinderwagens

Verwendung des Verdecks

Öffnen Sie den Reißverschluss, drücken Sie das Verdeck zum Öffnen nach vorne. **13**

! Bitte bringen Sie die Rückenlehne nach Möglichkeit vor Öffnen des Verdecks in eine aufrechte Position. **14**

! Bitte drücken Sie die Rückenlehne nach Möglichkeit vor Öffnen des Verdecks in eine aufrechte Position. **15**

Zum Einklappen des Verdecks ziehen Sie es nach hinten.

Zur Abnahme des Verdecks lösen Sie durch Drücken der Befestigungsglasche die Clips aus der Halterung **16**, lösen Sie dann die 2 Knopfpaare (mit denen der Verdeckstoff am Sitz befestigt ist); heben Sie das Verdeck nun ab. **11**

! Sobald das Verdeck angebracht ist, sollte es nicht regelmäßig abgenommen werden.

Sitz ausrichten

Die Sitzrichtung kann umgekehrt werden, damit sich Mutter und Kind anschauen können.

Drücken Sie die Sitzfreigabeknöpfe, während Sie den Sitz anheben. **17** Drehen Sie den Sitz in die entgegengesetzte Richtung, bringen Sie ihn dann wieder auf den Sitzhalterungen an. **18**

Rückenlehne anpassen

Es gibt 5 Neigungswinkel für die Rückenlehne.

Senken Sie die Rückenlehne ab, indem Sie den Einstellknopf drücken **19 - 1**, und die Rückenlehne auf den gewünschten Winkel anpassen. **19 - 2**

Zum Hochstellen der Rückenlehne drücken Sie sie hoch.

! Vergewissern Sie sich, dass die Lehne korrekt eingestellt ist.

Schnalle bedienen

Verschluss öffnen

Drücken Sie die mittlere Taste, um den Verschluss freizugeben. **20**

Verschluss verriegeln

Richten Sie Hüft- und Schulterverschluss zueinander aus **21 - 1**, und drücken Sie in den mittigen Verschluss.

21 - 2 Ein Klickgeräusch zeigt an, dass der Verschluss eingerastet ist. **21 - 3**

! Um schwere Verletzungen aufgrund von Herausfallen oder -gleiten zu verhindern, sichern Sie Ihr Kind stets mit Gurten ab.

! Vergewissern Sie sich, dass Ihr Kind rutschfest gehalten wird. Der Abstand zwischen dem Kind und dem Schultergurt sollte etwa die Dicke einer Hand betragen.

! Legen Sie die Schultergurte nicht überkreuz. Dadurch wird Druck im Nacken des Kindes aufgebaut.

Schulter- & Taillengurte anlegen

! Nachdem Sie Ihr Kind in den Sitz gesetzt haben, prüfen Sie, ob die Schulter- und Taillengurte in der richtigen Höhe verlaufen und lang genug sind, um Ihr Kind vor dem Herausfallen zu schützen.

22 - 1 Schultergurtverankerung A

22 - 2 Schultergurtverankerung B

22 - 3 Gurtversteller

Für ein größeres Kind muss die Schultergurtverankerung A und der oberste Schulterschlitze verwendet werden. Für ein kleineres Kind muss die Schultergurtverankerung B und der unterste Schulterschlitze verwendet werden.

Zur Verstellung der Position der Schultergurtverankerung drehen Sie die Verankerung so, dass sie mit der nach vorne weisenden Seite auf einer Ebene liegt. Führen Sie sie von hinten nach vorne durch den Schultergurtschlitz

23 Führen Sie sie erneut durch den Schlitz, der der Schulterhöhe des Kindes am nächsten liegt. **24**

Ändern Sie die Gurtlänge mit dem verschiebbaren Gurtversteller. **25 - 1**

Betätigen Sie den Knopf **25 - 2**, während Sie den Hüftgurt in die richtige Länge ziehen. **25 - 3**

Verwendung des Schrittgurts

Der Schrittgurt kann je nach Anforderungen in 2 Positionen verwendet werden.

Position 1 Bei kleineren Babys wird diese Position verwendet **26 - 1**

Position 2 Bei größeren Babys wird diese Position verwendet **26 - 2**

i. Ziehen Sie den Schrittgurt heraus und richten Sie ihn gerade aus. **27 - 1 & 27 - 2**

ii. Drehen Sie die Verankerung des Schrittgurts so, dass die kürzere Seite nach vorn zeigt und führen Sie sie durch den Schrittgurtschlitz. **27 - 3 & 27 - 4**

iii. Führen Sie sie erneut durch den Schlitz, der dem Schritt des Kindes von der Vorderseite des Schrittgurts am nächsten liegt. **26**

Beinauflage anpassen

Es gibt 2 Positionen für die Beinauflage.

Beinauflage heben

Drücken Sie die Beinauflage zum Anheben einfach nach oben.

Beinauflage senken

Zum Absenken der Beinauflage betätigen Sie die Verstellknöpfe an beiden Seiten der Beinauflage **25 - 1** und drehen die Beinauflage nach unten. **25 - 2**

Vorderräder feststellen

Zum Feststellen der Vorderräder drücken Sie die vorderen Lenksperrn nach oben. **29**

Tipp Auf unebenen Flächen sollten die Vorderräder festgestellt werden.

Bremse bedienen

Zur Arretierung der Räder drücken Sie den Bremshebel mit dem Fuß nach unten. **30**

Lösen Sie die Räder, indem Sie den Bremshebel einfach nach oben ziehen. **31**

Tipp Verwenden Sie immer die Bremse, wenn Sie mit dem Kinderwagen anhalten.

Schiebebügel anpassen

Der Schiebebügel hat 3 Positionen.

Passen Sie die Höhe des Schiebebügel an, indem Sie ihn nach oben oder unten ziehen **32 - 2** während Sie den Einstellknopf drücken. **32 - 1**

Kinderwagen zusammenklappen

! Bitte klappen Sie das Verdeck zusammen, bevor Sie den Kinderwagen zusammenklappen.

Drücken Sie den Rücklehngriff hinten an der Rückenlehne, um die Rückenlehne in eine horizontale Position zu bringen. **33**

Ziehen Sie den Zusammenklappknopf nach oben, treten Sie das Zusammenklapppedal nach unten, und drücken Sie den Kinderwagen nach vorn, damit er sich zusammenklappt **33**.

Die Aufbewahrungslasche hakt sich automatisch in die Halterung ein. Danach ist der Kinderwagen vollständig gefaltet und verriegelt. **34**

Zubehör verwenden

Zubehör wird möglicherweise separat verkauft oder ist je nach Region nicht verfügbar.

Verwendung mit Joie-Autositz

Bitte beachten Sie beim Einsatz mit dem Joie-gemm, iGemm 2, iLevel, i-Snug Autositz die nachstehenden Anweisungen.

1. Bringen Sie den Adapter an, indem Sie ihn wie abgebildet auf die Halter aufsetzen **35** ein Klickgeräusch zeigt an, dass der Adapter vollständig eingerastet ist. **36**

2. Bringen Sie den Autositz an, indem Sie ihn wie abgebildet auf den Adapter aufsetzen **37** ein Klickgeräusch zeigt an, dass der Autositz vollständig eingerastet ist. **38**
 3. Entfernen Sie den Autositz, indem Sie ihn nach oben heben **39 - 2** während Sie die beiden Kinderwagen-Freigabeknöpfe A drücken. **39 - 1**
- ! Beachten Sie bitte die Hinweise in den jeweiligen Bedienungsanleitungen, wenn Sie bei der Verwendung von Kinderwagen und Adapter Probleme haben.
- ! Entfernen Sie den Adapter, indem Sie ihn nach oben abheben **40 - 2**, während Sie die beiden Freigabeknöpfe drücken. **40 - 1**
- ! Entfernen Sie den Adapter wie dargestellt. **41**
- ! Bitte klappen Sie den Kinderwagen nicht zusammen, wenn er auf dem Autositz angebracht wird.

Verwenden der Chrome Babywanne

Babywanne montieren

1. Öffnen Sie die Drahtstützen an beiden Seiten der Babywanne **42** Setzen Sie dann die Drahtstützen in die vier Kunststoffteile ein. Wenn sie eingerastet sind, ertönt ein Klickgeräusch. **42 - 1** Legen Sie die Matratze in die Babywanne, **43** und streichen Sie sie glatt. **43 - 1**

! Verwenden Sie die Babywanne niemals ohne Matratze.

! Der Matratzenbezug kann zum Waschen einfach entfernt werden.

2. Babywannenverdeck anpassen

Öffnen Sie das Verdeck und ziehen Sie das Vorderende zum Befestigen bis ganz nach vorne. **44** Schließen Sie das Verdeck, indem Sie die Knöpfe an beiden Seiten drücken. **44 - 1**

3. Babywannenverdeck montieren

Bringen Sie den Regenschutz über der Babywanne an, befestigen Sie dann die 5 Paar Haken und Klettverschlüsse. **45 - 1** Vollständig zusammengebaute Babywanne. **45**

Babywanne am Gestell anbringen

Richten Sie die Seiten der Babywanne an den Adaptern am Rahmen aus. Setzen Sie die Babywanne direkt auf, bis sie mit einem Klickgeräusch einrastet. **46** Ein Klickgeräusch zeigt an, dass die Babywanne vollständig montiert ist. **47**

! Entfernen Sie vor der Benutzung der Babywanne immer die Adapter.

! Bitte klappen Sie den Kinderwagen nicht zusammen, wenn die Babywanne angebracht wird.

Babywanne entfernen

Drücken Sie die Freigabeknöpfe an beiden Seiten der Babywanne **48 - 1** und heben Sie sie dann nach oben weg. **48 - 2**

Verwendung des Fußsacks

Der weiche Fußsack sorgt dafür, dass Ihr Kind warm und komfortabel transportiert werden kann.

Befestigen Sie den Fußsack auf folgende Weise:

1. Bringen Sie die Beinauflage in eine waagerechte und die Rückenlehne in eine nach hinten geneigte Position, bevor Sie den Fußsack anbringen. **49**

2. Bedecken Sie die Beinauflage mit dem Fußsack. **50**

Der angebrachte Fußsack ist abgebildet als **51**

Regenschutz verwenden

Zur Befestigung des Regenschutzes legen Sie ihn über. **52**

! Vergewissern Sie sich, dass der Sitz befestigt ist, bevor Sie den Regenschutz anbringen.

- ! Achten Sie bei Verwendung des Regenschutzes stets auf seine Belüftung.
- ! Wird der Regenschutz nicht mehr verwendet, achten Sie vor dem Zusammenfallen bitte darauf, dass er sauber und trocken ist.
- ! Klappen Sie den Kinderwagen nicht zusammen, nachdem der Regenschutz angebracht wurde.
- ! Setzen Sie Ihr Kind bei heißem Wetter nicht in den Kinderwagen, wenn der Regenschutz angebracht wurde.
- ! Darf nur unter Aufsicht eines Erwachsenen verwendet werden. Nicht an einem Kinderwagen ohne Verdeck verwenden.

Verwendung der Sitzauflage

Siehe Abbildungen 53

Verwendung von Schultergurtpolster und Schrittgurtpolster

Schultergurtpolster und Schrittgurtpolster können vom Gurtband abgenommen werden. Bringen Sie Schultergurtpolster und Schrittgurtpolster in umgekehrter Reihenfolge an.

Pflege und Wartung

- ! Das abnehmbare Sitzkissen kann in kaltem Wasser gewaschen und zum Trocknen aufgehängt werden. Nicht bleichen.
- ! Reinigen Sie das Kinderwagengestell nur mit handelsüblicher Seife und warmem Wasser. Nicht bleichen oder mit Reinigungsmitteln bearbeiten.
- ! Untersuchen Sie Ihren Kinderwagen gelegentlich auf lockere Schrauben, abgenutzte Teile, verschlissene Materialien oder aufgerissene Nähte. Ersetzen oder reparieren Sie die Teile, falls erforderlich.
- ! Bei übermäßiger Sonnenbestrahlung oder Hitzeeinwirkung können Teile verblassen oder sich verformen.
- ! Ist der Kinderwagen nass geworden, öffnen Sie das Verdeck und lassen Sie ihn komplett trocken werden, bevor Sie ihn verstauen.
- ! Bei quietschenden Rädern tragen Sie ein leichtes Öl auf (z. B. Silikonspray, Rostschutzöl oder Nähmaschinenöl). Es ist dabei wichtig, dass das Öl in die Achse und die Radverbindung gelangt. 54
- ! Gehen Sie mit Ihrem Kinderwagen am Strand spazieren, müssen Sie ihn hiernach komplett reinigen, um Sand und Salz aus der Mechanik und den Radverbindungen zu entfernen.

Gefeliciteerd dat u nu lid bent van de Joie-familie! Het doet ons veel genoegen om deel te kunnen uitmaken van uw reis met uw kleintje. Bij het reizen met de Joie chrome™ gebruikt u een volledig gecertificeerde kwaliteits-wandelwagen, goedgekeurd volgens de Europese veiligheidsnorm EN 1888-2:2018. Deze kan worden gebruikt met de Joie Chrome-reiswieg, goedgekeurd conform EN 1466:2014/AC:2015. Dit product is geschikt voor kinderen tot 22kg of 4 jaar, als dat zich eerder voordoet. Lees deze handleiding zorgvuldig en volg elke stap om voor een comfortabele rit en de beste bescherming van uw kind te zorgen.

Belangrijk – Lees zorgvuldig en bewaar voor latere raadpleging.

Bezoek ons op joiebaby.com om handleidingen te downloaden en nog meer interessante producten van Joie te zien.

Inhoud

Afbeeldingen	1-10
WAARSCHUWING	63
Montage wandelwagen	64
Open wandelwagen	64
Voorwielen monteren	65
Achterwielen monteren	65
Armsteun monteren	65
Kap monteren	65
Gebruik wandelwagen	65
Kap opzetten	65
Zitje omdraaien	65
Helling instellen	66
Riem gebruiken	66
Schouder- en middelriemen gebruiken	66
De kruisbanden gebruiken	66
Kuitsteun instellen	67
Draaien voorwielen blokkeren	67
Remmen	67
Handgreep instellen	67
Wandelwagen invouwen	67
Accessoires gebruiken	67
Verzorging en onderhoud	69

Noodgeval

Bij een noodsituatie of een ongeluk is het heel belangrijk om uw kind direct te laten verzorgen met eerste hulp en medische behandeling.

Productinformatie

Lees alle aanwijzingen in deze handleiding voordat u het product gebruikt. Als u vragen hebt, kunt u contact opnemen met de verkoper. Sommige functies kunnen verschillen, afhankelijk van het model.

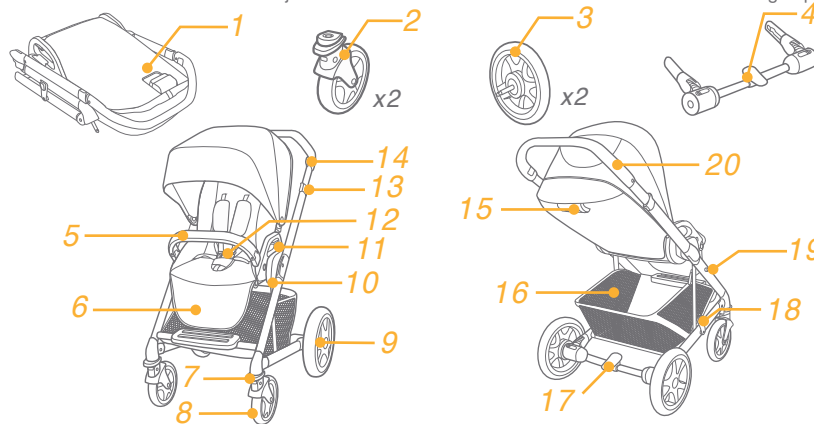
Product	Chrome wandelwagen
Geschikt voor	Dit product is geschikt voor kinderen tot 22kg of 4 jaar, als dat zich eerder voordoet.
Materialen	Kunststoffen, metaal, geweven stoffen
Patentnr.	Patenten aangevraagd
Gemaakt in	China
Merknaam	Joie
Website	www.joiebaby.com
Fabrikant	Allison GmbH

Onderdelenlijst

Zorg dat alle onderdelen voor het opslaan droog zijn. Als er items ontbreken of beschadigd zijn, kunt u contact opnemen met uw leverancier.

Voor de montage is geen gereedschap nodig.

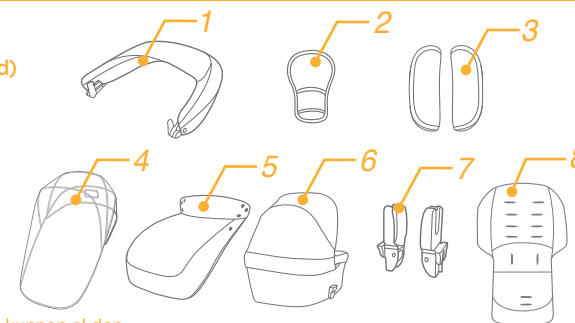
- | | | | |
|--------------------|-------------------------|-----------------------------|-------------------------|
| 1 Wandelwagenframe | 7 Draaislot | 12 Gesp | 16 Opbergmand |
| 2 Voorwielen (x2) | 8 Voorwiel | 13 Opvouwknop | 17 Remgreep |
| 3 Achterwiel (X2) | 9 Achterwiel | 14 Instelknop handgreep | 18 Opberggrendel |
| 4 Rem | 10 Zitsteun | 15 Instelhendel schuinstand | 19 Houder opberggrendel |
| 5 Armsteun | 11 Ontgrendelknop zitje | 20 Handgreep | |
| 6 Kuitsteun | | | |



Toebehoren

(zijn mogelijk niet meegeleverd)

- 1 Kap
- 2 Kussende kruisbanden
- 3 Kussende schouderriemen
- 4 Regenkap
- 5 Voetenmofschort
- 6 Draagwieg
- 7 Adapter
- 8 Stoelvoering



Accessoires voor de stoelvoering kunnen al dan niet apart leverbaar zijn, afhankelijk van de regio.

WAARSCHUWING

- ! **WAARSCHUWING** Zorg ervoor dat alle vergrendelingsmechanismes vast zitten voor dat je het product gebruikt
- ! **WAARSCHUWING** Zorg ervoor dat het kind uit de buurt is tijdens het in- en uitklappen van het product om letsel te voorkomen
- ! **WAARSCHUWING** Laat het kind niet met dit product spelen
- ! **WAARSCHUWING** Altijd het veiligheidstuigje gebruiken
- ! **WAARSCHUWING** Controleer voor gebruik of het wiegje, het kinderwagenzitje, of het autostoeltje goed vast zit op het kinderwagenchassis.
- ! Montage door volwassene vereist.
- ! Gebruik de wandelwagen voor een kind dat minder dan 22 kg weegt. Als het kind niet past, kan dit de wandelwagen beschadigen.
- ! Om een gevaarlijke en instabiele conditie te vermijden, moet u niet meer dan 4,5 kg in de opbergmand plaatsen.
- ! Nooit het kind zonder toezicht laten. Let altijd op uw kind als het in de wandelwagen zit.
- ! Gebruik de wandelwagen met slechts één kind tegelijk. Leg nooit handtassen, boodschappentassen, pakjes of onderdelen van toebehoren op de greep of de kap.
- ! Overbelasting, onjuist opvouwen, of het gebruik van onderdelen van andere fabrikanten kan schade of een onveilige situatie voor de wandelwagen opleveren. Lees altijd eerst zorgvuldig de handleiding.
- ! Gebruik dit nooit samen met onderdelen van andere fabrikanten.
- ! Lees alle aanwijzingen in deze handleiding voordat u het product gebruikt. Bewaar de handleiding voor later gebruik. Niet-naleving van de waarschuwingen en de instructies kan ernstig letsel of de dood veroorzaken.
- ! Veiligheidsriemen en zitsystemen moeten op de juiste wijze worden gebruikt.
- ! Om ernstig letsel te vermijden door vallen of uit de wagen glijden, moet u altijd de riemen gebruiken.
- ! Zorg er voor dat het lichaam van uw kind geen bewegende onderdelen raakt bij het aanpassen van de wandelwagen..
- ! Het kind kan in de beenopeningen glijden en gewurgd worden als het harnas niet wordt gebruikt.
- ! Gebruik de wandelwagen nooit op trappen of roltrappen.
- ! Uit de buurt houden van voorwerpen, vloeistoffen en elektronica met een hoge temperatuur.
- ! Laat uw kind nooit in de wandelwagen staan of met het hoofd naar de voorkant van de wandelwagen zitten.
- ! Plaats de wandelwagen nooit op wegen, hellingen of gevaarlijke gebieden.
- ! Zorg ervoor dat alle mechanismen vastgezet zijn voordat u de wandelwagen gebruikt.
- ! Om verstikking te voorkomen, moet u GEEN voorwerpen met een koord rond de hals van uw kind hangen, de koorden van dit product laten hangen of koorden aan speelgoed bevestigen.
- ! Om omvallen te voorkomen, moet u NIETS op de greep zetten.
- ! Til de wandelwagen NIET op als daar een kind in zit.
- ! Gebruik de opbergmand NIET om een kind in te plaatsen.
- ! Om omvallen te voorkomen, moet u het kind nooit in de wandelwagen laten klimmen. Til het kind altijd in en uit de wandelwagen.
- ! Om letsel te voorkomen, moet u uw kind uit de buurt houden tijdens het open-

of samenvouwen van dit product.

- ! Zorg ervoor dat de wandelwagen volledig geopend of dichtgevouwen is voordat u uw kind in de buurt laat komen.
- ! Om voor de veiligheid van uw kind te zorgen, moet u ervoor zorgen dat alle onderdelen goed zijn gemonteerd en vastgezet voordat u de wandelwagen gebruikt.
- ! Om verstikking te voorkomen, moet u er voor zorgen dat uw kind niet door de kap wordt bedekt.
- ! Gebruik altijd de remmen bij het parkeren van de wandelwagen.
- ! Gebruik de wandelwagen niet meer als deze is beschadigd of kapot is.
- ! De wandelwagen mag alleen met een loopsnelheid gebruikt worden. Dit product is niet bedoeld voor gebruik tijdens het joggen.
- ! Om verstikking te voorkomen, moet u de plastic zak en verpakkingsmaterialen verwijderen voordat u de stoel gebruikt. Houd de plastic zak en verpakkingsmaterialen buiten bereik van baby's en kinderen.
- ! Dit product is niet geschikt om mee hard te lopen of te skeeleren.
- ! Wandelwagen ontworpen voor gebruik vanaf de geboorte, gebruik de meest vlakke stand voor pasgeboren baby's.
- ! Bij het plaatsen en verwijderen van het kind moet de parkeerrem geactiveerd zijn.
- ! De draagwieg is alleen geschikt voor een kind dat niet zonder hulp rechtop kan zitten, om kan rollen of zichzelf op handen en knieën opdrukken. Maximumgewicht van het kind: 9 kg.
- ! Laat andere kinderen niet zonder toezicht in de omgeving van de draagwieg spelen.
- ! De draagwieg mag NIET worden gebruikt voor langdurig slapen.
- ! GEEN ander matras gebruiken dan is meegeleverd met de draagwieg.
- ! Voor kinderstoeltjes die gebruikt worden in combinatie met een chassis, vangt dit voertuig geen draagwieg of bed. Als uw kind moet slapen, moet u het in een geschikte kinderwagen, wieg of bed leggen.
- ! Het hoofd van het kind in de draagwieg mag zich nooit lager bevinden dan het lichaam van het kind.
- ! Zorg er voor dat de greep in de juiste stand staat voordat u deze gebruikt voor dragen of optillen.
- ! De handgrepen en bodem van de draagwieg moeten regelmatig gecontroleerd worden op tekenen van schade en slijtage.
- ! Elke last bevestigd aan de greep en/of op de achterkant van de rugsteun of de zijkanen van de wandelwagen beïnvloeden de stabiliteit van de wandelwagen.
- ! Gebruik nooit accessoires, onderdelen of componenten die niet door de fabrikant zijn gemaakt of goedgekeurd.
- ! Dit product is geschikt voor kinderen tot 22kg of 4 jaar, als dat zich eerder voordoet.

Montage wandelwagen

Lees alle aanwijzingen in deze handleiding voordat u het product opzet en gebruikt.

Open wandelwagen

Maak de opberggrendel los van de opbergbeugel en til de hendel omhoog ❶, als u een klik hoort ❷, betekent dit dat de wandelwagen volledig geopend is. Druk de instelhendel schuinstand achterop de rugsteun in om de rugsteun in de verticale stand te draaien. ❸

- ! Controleer of de wandelwagen volledig open is gezet voor u doorgaat.

Voorwielen monteren

Monteer de voorwielen aan de voorpoten. Controleer of de wielen goed vast zitten door ze omlaag te trekken. **4**
Om het voorwiel te demonteren, trekt u het van de voorpoot **5 - 2** terwijl u de vergrendelknop indrukt. **5 - 1**

Achterwielen monteren

Monteer de rem op de achterpoten **6**, monteer de achterwielen op de rem **7**. Trek de buis van de mand naar achteren en wikkel de verbindingbuis van de achterpoten in de flap van de opbergmand, en druk vervolgens op de drie knoppen **8 - 1**.

! Controleer of de wielen goed vast zitten door ze omlaag te trekken.

Om het achterwiel te demonteren, trekt u het van de achterpoot **7 - 2** terwijl u de vergrendelknop indrukt. **7 - 1**

Armsteun monteren

Lijn de uiteinden van de armsteunen uit met de armsteunhouders en steek ze er in om ze vast te zetten. **9**

Druk op de armsteunknop om de armsteun te verwijderen **10 - 1** en trek de armsteun vervolgens uit de houder. **10 - 2**

Kap monteren

Om de kap te monteren, steekt u twee klemmen in de houder en bevestigt u vervolgens 2 paar knoppen. **11**

- Maak eerst het gaas van de kap vast met de instelknoppen voor schuine stand. **11 - 1**
- Maak vervolgens de zachte artikelen vast met het gaas van de kap en knoppen. **11 - 2**

De volledig gemonteerde wandelwagen wordt afgebeeld in **12**

Gebruik wandelwagen

Gebruik van de kap

Open de rits en druk de kap naar voren om deze te openen. **13**

! Stel de rugsteun in op de stand rechtop voordat u de kap opent als dit gemakkelijk is. **14**

! Druk op de rugsteun voordat u de kap opent als het niet gemakkelijk is om de rugsteun in te stellen op de stand rechtop. **15**

Om de kap op te vouwen, trekt u de kap naar achteren.

Om de kap te verwijderen, maakt u de montageklemmen los terwijl u op de bevestigingstab drukt **16**, maak vervolgens 2 paar knoppen (gebruikt voor het bevestigen van de stof van de kap op het zitje) los en hef de kap nu omhoog. **11**

! Wanneer de kap is bevestigd, wordt het regelmatig verwijderen van de kap niet aanbevolen.

Zitje omdraaien

U kunt het zitje omdraaien, zodat moeder en kind elkaar kunnen aankijken.

Krijp tijdens het optillen van het zitje de ontgrendelknoppen in. **17** Draai het zitje in de omgekeerde richting en steek het in de stoelbeugels. **18**

Leuning aanpassen

Er zijn 5 standen voor de rugsteun.

Om de rugsteun naar achteren te kantelen, knijpt u de instelknop **19 - 1** in en plaatst u de rugsteun in de gewenste stand. **19 - 2** Druk de rugsteun omhoog om hem rechtop te zetten.

! Controleer of de helling goed is ingesteld.

Riem gebruiken

Maak de gesp los

Druk op de knop in het midden om de riem los te maken. **20**

Riem vastmaken

Verbind de gesp van de middelriem met de schouderriem **21 - 1** en klik deze in de middengesp. **21 - 2**
Een klikkend geluid betekent dat de riem vergrendeld is. **21 - 3**

! Om ernstig letsel te voorkomen door uit de stoel vallen of glijden, moet u uw kind altijd met de riemen vastzetten.

! Zorg er voor dat uw kind goed vast zit. De ruimte tussen het kind en de schouderriemen moet ongeveer de dikte van een hand zijn.

! De schouderriemen NIET kruisen. Dat veroorzaakt druk op de nek van het kind.

Schouder- en middelriemen gebruiken

! Om te voorkomen dat uw kind uit de stoel valt, moet u controleren of de schouder- en middelriemen op de juiste hoogte en lengte zitten.

- 22 - 1** Schouderriemanker A
- 22 - 2** Schouderriemanker B
- 22 - 3** Instelling

Gebruik voor een groter kind schouderriemanker A en de hoogste schouderleuven. Gebruik voor een kleiner kind schouderriemanker B en de laagste schouderleuven.

Om de positie van het schouderriemanker aan te passen, draait u het anker zodat het gelijk ligt met de kant die naar voren kijkt. Geleid deze van achter naar voor door de sleuf voor de schouderriem. **23** Steek deze vervolgens opnieuw door de sleuf die het dichtst bij de schouderhoogte van het kind zit. **24**

Gebruik de schuifregelaar om de lengte van de riemen in te stellen. **25 - 1**

Druk op knop **25 - 2** terwijl u de middelriem op de juiste lengte trekt. **25 - 3**

De kruisbanden gebruiken

De kruisband kan in twee standen worden ingesteld overeenkomstig de behoeften van het kind.

Positie 1 Deze positie is geschikt voor kleinere baby's **26 - 1**

Positie 2 Deze positie is geschikt voor grotere baby's **26 - 2**

i. Trek de kruisriemen naar buiten en plaats ze vlak. **27 - 1** en **27 - 2**

ii. Draai het anker van de kruisriemen zodat de korte kant naar voren komt en steek het door de sleuf van de kruisriemen. **27 - 3** en **27 - 4**

iii. Steek het nogmaals door de sleuf die het dichtste bij het kruis van het kind zit, vanaf de voorkant van de kruisriemen **26**

Kuitsteun aanpassen

De kuitsteun heeft 2 standen.

Kuitsteun naar boven

Breng de kuitsteun omhoog door deze omhoog te drukken.

Kuitsteun naar beneden

Druk op de instelknoppen aan weerskanten van de kuitsteun **28 - 1** en draai de kuitsteun omlaag. **28 - 2**

Blokkering voorwielen

Druk de blokkering van de voorwielen omhoog om de bewegingsrichting te behouden. **29**

Tip Aanbevolen wordt om de draaiblokkering op ongelijke oppervlakken te gebruiken.

Remmen

Trap de remhendel omlaag om de wielen te blokkeren. **30**

Licht de remhendel op om de wielen vrij te geven. **31**

Tip Gebruik de rem altijd als de wandelwagen stil staat.

Handgreep instellen

De handgreep heeft 3 standen.

Om de hoogte van de handgreep in te stellen, trekt u deze omhoog of omlaag **32 - 2** terwijl u de instelknop van de handgreep omhoog trekt. **32 - 1**

Wandelwagen opvouwen

! Vouw de kap op voordat u de kinderwagen opvouwt.

Druk de instelhendel schuinstand achterop de rugsteun in om de rugsteun in de horizontale stand te draaien. **33**

Licht de opklapknop plaat op, druk het inklappedaal omlaag, druk de wandelwagen naar voren om hem op te vouwen **33**.

De opbergrendel haakt automatisch vast aan de opbergbeugel en daarna is de wandelwagen volledig opgevouwen en vergrendeld. **34**

Accessoires gebruiken

Accessoires kunnen al dan niet apart leverbaar zijn, afhankelijk van de regio.

Gebruiken met Joie-babyzitje

Raadpleeg de volgende instructies bij het gebruik van het Joie-babyzitje gemm, iGemm 2, iLevel, i-Snug.

1. Om de adapter te bevestigen, plaatst u hem op de kinderwagen als afgebeeld **35**. Een klikkend geluid betekent dat de adapter goed vast zit. **36**
2. Voor het bevestigen van het kinderzitje, plaatst u het kinderzitje op de adapter als weergegeven in **37**. Een klikkend geluid betekent dat het kinderzitje is vergrendeld. **38**
3. Om het zitje te verwijderen, trekt u het omhoog **39 - 2** terwijl u de twee ontgrendelknoppen A indrukt. **39 - 1**

! Als u problemen ondervindt bij het gebruik van de wandelwagen en de adapter, raadpleeg dan de betreffende handleidingen.

! Om de adapter te verwijderen, trekt u hem omhoog **40 - 2** terwijl u de twee ontgrendelknoppen indrukt. **40 - 1**

! Verwijder de adapter als afgebeeld **41**.

! Vouw de wandelwagen niet op tijdens het bevestigen van het babyzitje.

De draagwieg Chrome gebruiken

Montage draagwieg

1. Open de draadsteun aan beide kanten van de draagwieg **42** en klik de draad in de vier plastic delen A. Als u een klik hoort, zit de draadsteun goed vast. **42 - 1**

Leg het matras in de draagwieg **43** en maak het glad. **43 - 1**

! Gebruik altijd de matras bij gebruik van de draagwieg.

! U kunt het matrasdek afnemen om te wassen.

2. Stel de kap van de draagwieg in.

Open de kap en trek aan de voorkant om deze vast te zetten. **44**

Sluit de kap door de vouwknoppen aan beide zijden in te drukken. **44 - 1**

3. Schort rond draagwieg monteren

Plaats het schort over de draagwieg en bevestig de 5 paren haak- en lusluitingen. **45 - 1**

De draagwieg is volledig gemonteerd. als **45**

Draagwieg op het onderstel bevestigen

Lijn de zijkanten van de draagwieg uit met de adapters op het frame.

Druk de draagwieg omlaag tot hij op zijn plaats klikt. **46**

Een klikkend geluid betekent dat de draagwieg goed is gemonteerd. **47**

! Verwijder altijd de adapters voordat u de draagwieg gebruikt.

! Vouw de wandelwagen niet op tijdens het bevestigen van de draagwieg.

Draagwieg verwijderen

Druk op de ontgrendelknoppen aan beide zijden van de draagwieg **48 - 1** en til deze op. **48 - 2**

Voetenmofschort gebruiken

Het zachte voetenmofschort biedt uw kind een wame en comfortabele omgeving.

Monteer de voetenmof als volgt:

1. Plaats kuitsteun en rugsteun respectievelijk in de vlakke en de hellende stand voordat u het voetenmofschort monteert. **49**

2. Dek de kuitsteun af met het voetenmofschort. **50**

De gemonteerde voetenmof is afgebeeld in **51**

Regenkap gebruiken

Plaats de regenkap over de wandelwagen om deze te monteren. **52**

! Voordat u de regenkap gebruikt, moet u controleren of de zitting vastzit..

! Controleer altijd op voldoende ventilatie als u de regenkap gebruikt.

! Controleer of de regenkap schoon en droog is voor u ze opvouwt.

! Vouw de wandelwagen niet op als de regenkap gemonteerd is.

! Zet uw kind niet bij warm weer in de wandelwagen als de regenkap gemonteerd is.

! Alleen gebruiken onder toezicht van een volwassene. Niet gebruiken op een rolstoel zonder kap.

Stoelvoering gebruiken zie afbeeldingen 63

Gebruik afdekking schouderpadiemen en afdekking kruispadiemen

De afdekking van de schouderpadiemen of van de kruispadiemen kan worden losgemaakt van de spanriemen. Keer deze stappen om, om de kap van de schouderriemen weer te monteren.

Verzorging en onderhoud

- ! Het uitneembare kussen van het zitje mag met koud water worden gewassen en te drogen gehangen. Geen bleekmiddel.
- ! Gebruik voor het schoonmaken van het frame alleen zeep en warm water. Geen bleekmiddel of schoonmaakmiddelen.
- ! Controleer de wandelwagen van tijd tot tijd op losse schroeven, slijtage, scheuren en beschadigde naden. Vervang of herstel de onderdelen als dat nodig is.
- ! Overmatige blootstelling aan zon of warmte kan vervagen of vervormen van onderdelen veroorzaken.
- ! Als de wandelwagen nat is geworden, moet u de kap openen en hem laten drogen voordat u hem opbergt.
- ! Als de wieltjes piepen, moet u dunne olie gebruiken (bijvoorbeeld siliconenspray, antiroest-olie of naaimachine-olie). De olie moet in de as en het wielstel komen. 64
- ! Als u de wandelwagen op het strand gebruikt, moet u hem goed schoonmaken na het gebruik om alle zand en zout van het mechanisme en de wielen te verwijderen.

IT Benvenuti a Joie Joie™

Complimenti per avete diventato parte della famiglia Joie! Siamo molto felici di partecipare al passeggio con il vostro bambino. Mentre passeggiate con Joie CHROME™ si utilizza un carello per bambini di alta qualità, completamente certificato e approvato dalle norme di sicurezza europee EN 1888-2:2018 & e può essere utilizzato con il lettino da viaggio Joie Chrome conforme agli standard EN 1466:2014/AC:2015. Questo prodotto è adatta a bambini fino a 22 kg o 4 anni, qualunque degli eventi si verifichi prima. Leggete attentamente questo manuale e seguite ogni passo per assicurare un passeggio confortevole e la migliore protezione per il vostro bambino.

IMPORTANTE: Leggere attentamente e conservare per futuro riferimento.

Visitate il nostro sito joiebaby.com per scaricare il manuale e vedere più prodotti straordinari di Joie!

Contenuto

Figure	1-10
AVVERTENZE	73
Montaggio del carello	74
Aprire il carello	74
Montaggio delle ruote anteriori	74
Montaggio delle ruote posteriori	75
Montaggio della tenda	75
Montaggio barra per le mani	75
Manovra del carello	75
Uso della capottina	75
Torsione del carellor	75
Regolazione della pendenza	75
Utilizzo della fibbia	76
Utilizzo della imbracatura per spalla e vita	76
Utilizzare l'imbracatura	76
Regolazione del supporto per le gambe	76
Utilizzo del gancio di bloccaggio anteriore	77
Utilizzo del freno	77
Regolazione manico	77
Piegatura del carello	77
Utilizzo degli accesori	77
Cura e manutenzione	79

Caso di emergenza

In caso di una emergenza o di un incidente, la cosa più importante è la cura del vostro bambino fornendo il pronto soccorso o cure mediche immediate.

Informazioni sul prodotto

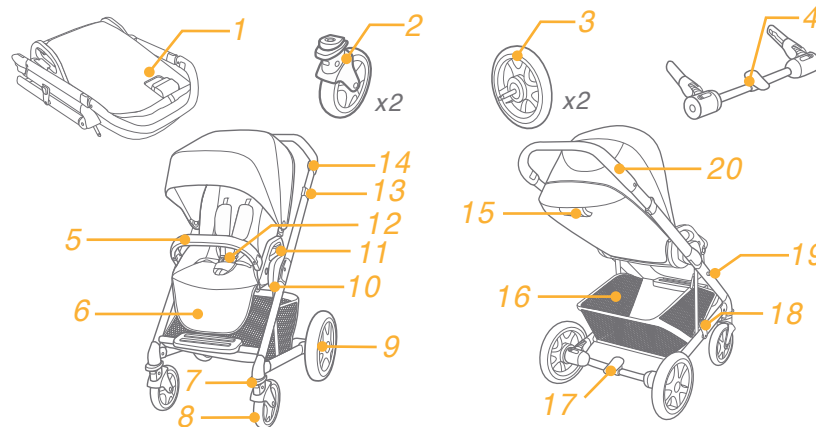
Leggete tutte le istruzioni di questo manuale prima di utilizzare il prodotto. Se avete domande, si prega di consultare il commerciante. Alcune caratteristiche possono variare secondo il modello.

Prodotto	Carello per bambini Chrome
Corrisponde per	Questo prodotto è adatta a bambini fino a 22 kg o 4 anni, qualunque degli eventi si verifichi prima.
Materiali	Plastica, metallo, tessuti
No. brevetto	Brevetti in attesa
Prodotto in	China
Nome marca	Joie
Sito web	www.joiebaby.com
Fabbricante	Allison GmbH

Lista parti componenti

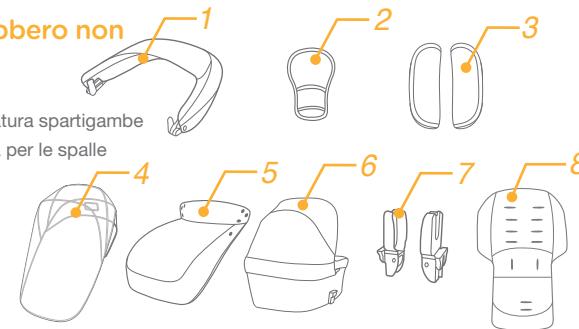
Assicuratevi che tutte le parti sono disponibili prima del montaggio. In caso di componenti mancanti contattare il commerciante locale. Senza bisogno di utensili per il montaggio.

1 Struttura carello	7 Bloccaggio	13 Imbracatura per spalla	chiudibile a chiave
2 Ruote anteriori (x2)	8 Ruota anteriore	14 Pulsante di piego	19 Bloccaggio
3 Ruote posteriori (x2)	9 Ruota posteriore	15 Pulsante di di	immagazzinaggio
4 Gruppo di fenatura	10 Montaggio sedia	regolazione	20 Manico
5 Barra per le mani	11 Pulsante di rilascio	16 Cestino di stoccaggio	
6 Supporto pe le	sedia	17 Pedale del freno	
gamba del perno	12 Fibbia manico	18 Immagazzinaggio	



Accessori (potrebbero non essere inclusi)

- 1 Capottina
- 2 Copertura imbottita dell'imbracatura spartigambe
- 3 Copertura imbottita della cintura per le spalle
- 4 Parapioggia
- 5 Poggiatesta
- 6 Culla portatile
- 7 L'adattatore
- 8 Fodera sedile



AVVERTENZE

- ! ATTENZIONE Prima dell'uso assicurarsi che tutti i meccanismi di bloccaggio siano correttamente agganciati.
- ! ATTENZIONE Per evitare lesioni o ferimenti assicurarsi che il bambino sia a debita distanza durante le operazioni di apertura e chiusura del prodotto.
- ! ATTENZIONE Non lasciare che il bambino giochi con questo prodotto.
- ! ATTENZIONE Utilizzare sempre il sistema di ritenuta.
- ! ATTENZIONE Prima dell'uso controllare che i meccanismi di aggancio della seduta, della navicella o del seggiolino auto siano correttamente agganciati.
- ! È necessario che un adulto realizzi il montaggio.
- ! Utilizzate il carello per un bambino che pesa meno di 22 kg, Si se utilizza per bambini con un peso inadeguato questo può causare danni al carello.
- ! Per evitare una condizione pericolosa, instabile non mettere un peso maggiore di 4,5 kg nel cestino di stoccaggio.
- ! AVVERTENZA Non lasciare mai il bambino incustodito. Guardate sempre il bambino mentre è nel carello.
- ! Utilizzate il carello solo per passeggiare un solo bambino e non più. Mai depositare borse, sacchetti, pacchetti o accessori nel manico o la tenda.
- ! Il sovraccarico, il piego in un modo improprio o l'uso di componenti di base di altri produttori può provocare danni al carello, distruggerlo o renderlo insicuro. Leggete attentamente il manuale di istruzioni.
- ! Non utilizzare il passeggino con parti di altri produttori.
- ! Leggete tutte le istruzioni riportate nel manuale prima di utilizzare questo prodotto. Conservate il manuale di istruzioni per un riferimento futuro. Se non seguite queste avvertenze e le istruzioni, le conseguenze potrebbero essere gravi lesioni o la morte.
- ! Le cinture di sicurezza e i sistemi di mantenimento dovrebbero essere usati correttamente.
- ! Per evitare lesioni gravi da cadute o scivoli, usate sempre la cintura di sicurezza.
- ! Assicuratevi che quando regolate il carello il corpo del vostro bambino è lontano delle parti in movimento.
- ! Il bambino può scivolare nelle aperture per le gambe e potrebbe essere strangolato se non si utilizza le imbracature.
- ! Non utilizzate mai il carello sulle scale o scale mobili.
- ! Tenete il prodotto lontano da oggetti ad alta temperatura, liquidi o oggetti elettronici.
- ! Non permettere al vostro bambino di stare in piedi nel carello o essere collocato con la testa verso la parte anteriore del carello.
- ! Non mettete il carro nelle strade, piste o aree pericolose.

- ! Assicuratevi che tutti i meccanismi sono impostati correttamente prima di usare il carello.
- ! Per evitare lo strangolamento, non individuare articoli con una cintura intorno al collo del vostro bambino, sospendete le cinture di questo prodotto o allegate quiete ai giocattoli.
- ! Non mettete nulla sul manico per evitare il ribaltamento.
- ! Non sollevate il carello con il bambino all'interno.
- ! Non mettete un bambino nel cestino di stoccaggio.
- ! Per evitare il ribaltamento, non permettete al bambino di cavalcare sul carello. Sollevate sempre il bambino del e nel carello.
- ! Per evitare di schiacciarsi le dita, aprire e piegare il carello attentamente.
- ! Assicuratevi che il carello è completamente aperto o piegato prima di consentire a un bambino di essere vicino al carello.
- ! Per la sicurezza del bambino, assicuratevi che tutti i componenti vengono assemblati e fissati opportunamente prima di usare il carello.
- ! Per evitare lo strangolamento, assicuratevi che è un notevole divario tra il bambino e la tenda.
- ! Applicate sempre i freni quando parcheggiate il carello.
- ! Non utilizzate mai il carello se è difetto o danneggiato.
- ! Il carello deve essere utilizzato ad una velocità di passeggiare. Questo prodotto non è destinato ad essere utilizzato per correre.
- ! Per evitare il soffocamento, prima di utilizzare questo prodotto, rimuovete i sacchetti di plastica e i materiali di imballaggio. I sacchetti di plastica e i materiali di imballaggio devono quindi essere tenuti lontano dai neonati e bambini.
- ! Questo prodotto non è adatto per correre o pattinare.
- ! Il carello per neonati è raccomandato di essere utilizzato nella posizione più incline per i neonati.
- ! Il dispositivo di parcheggio deve essere attivato nel collocamento o il sollevamento del bambino.
- ! La culla portatile non è adatta per un bambino che può salire da solo, rotolarsi e può andare nelle ginocchia. Il peso massimo del bambino: 9 kg.
- ! La culla portatile NON deve essere utilizzata per un lungo sonno.
- ! NON usate o aggiungere materassi diversi da quelli forniti per le culle portatili.
- ! Assicurarsi che la testa del bambino nella culla portatile non sia mai ad un'altezza inferiore al suo corpo.
- ! Assicurarsi che la maniglia sia nella corretta posizione d'uso prima del trasporto o del sollevamento.
- ! Utilizzare esclusivamente parti di ricambio fornite o approvate dal costruttore.
- ! Non utilizzare mai accessori, parti o componenti non prodotti o approvati dal produttore.
- ! Questo prodotto è adatta a bambini fino a 22 kg o 4 anni, qualunque degli eventi si verifichi prima.

Il montaggio del carello

Leggete tutte le istruzioni di questo manuale prima di montare ed utilizzare questo prodotto

Aprire il carello

! Prima di continuare controllate se il carello è completamente aperto.

Separate la serratura di stoccaggio dal supporto di stoccaggio **1** e sollevate la maniglia **2**, un clic significa che il passeggino è completamente aperto. Riportate lo schienale in posizione verticale. **3**

Il montaggio delle ruote anteriori

Montate le ruote anteriori ai piedi anteriori. Controllate se le ruote sono collegate correttamente tirando i gruppi delle ruote. **4**

Per smontare la ruota anteriore separate la ruota dal piede anteriore **5 - 2** tirando il pulsante di rilascio. **5 - 1**

Il montaggio delle ruote posteriori

Fissate il gruppo del freno sulle zampe posteriori **6**, collegate le ruote posteriori sul gruppo di freno **7**. Tirate indietro il tubo del cestello e avvolgete il tubo di collegamento delle gambe posteriori con la banda di stoccaggio del cesto e quindi azionate tre pulsanti **8 - 1**.

! Controllate se le ruote siano collegati correttamente impegnando il gruppo delle ruote.

Per smontare la ruota posteriore, separate la ruota dal supporto posteriore **7 - 2** premendo il pulsante di rilascio. **7 - 1**

Montaggio barra per le mani

Allineate le estremità della barra con portacanne per le mani e mettete queste per adattarsi **9**

Per rimuovere la barra per mani premete il pulsante di rilascio della barra per le mani **10 - 1** e tirate la barra per le mani **10 - 2**

Il montaggio della tenda

Inserite le fascette della tenda nei supporti su tubi e fissate la banda posteriore su schienale con 2 bande **11** elastiche.

i. Agganciare prima la retina della capottina con i pulsanti per reclinare. **11 - 1**

ii. Quindi agganciare i rivestimenti imbottiti con la retina e i pulsanti della capottina. **11 - 2**

L'immagine **12** mostra il carrello completamente assemblato.

Manovra del carello

Uso della capottina

Aprire la cerniera a lampo, quindi spingere in avanti la capottina per aprirla. **13**

! Regolare lo schienale in posizione eretta prima di aprire la capottina se è più comodo. **14**

! Premere lo schienale prima di aprire la capottina se non è comodo regolarlo in posizione eretta. **15**

Per piegare la capottina, tirarla all'indietro.

Per rimuovere la capottina, sganciare i fermagli dal supporto mentre si preme la linguetta di fissaggio **16**, quindi aprire 2 paia di bottoni (usati per fissare il tessuto della capottina al sedile) e sollevare la capottina. **11**

! Una volta montata, si consiglia di non rimuoverla di frequente.

Giro sedia

Il sedile può essere ruotato che la madre e il bambino sedersi faccia a faccia.

Premete i pulsanti di rilascio mentre sollevate la sedia **17** Girate la sedia e metterlo tra i parentesi per il sedile. **18**

Regolazione della pendenza

Lo schienale ha 5 angoli.

Per inclinare lo schienale, serrate il pulsante di regolazione **19 - 1** e quindi regolate l'inclinazione dello schienale. **19 - 2**

Per alzare lo schienale, spingete verso l'alto.

! Assicuratevi che l'inclinazione è impostata per l'utilizzo.

Utilizzo della fibbia

Disaccoppiamento della fibbia

Premete il pulsante centrale per disaccoppiare la fibbia. **20**

Blocco della fibbia

Regolate la cintura per vita con la sulle spalle **21 - 1**, e premete nel centro della fibbia. **21 - 2** Un cricchetto significa che ora la fibbia è stato completamente bloccata. **21 - 3**

! Per evitare lesioni gravi da cadute o scivoli dal carrello, sempre collegate il bambino con la imbracatura.

! Assicuratevi di proteggere il bambino in modo confortevole. Lo spazio tra il bambino e la cintura per spalla è quanto di una palma di spessore.

! Non incrociare le cinture per la spalla. Questo causara pressione sul collo del bambino

Utilizzo delle imbracature per la spalla e la vita

! Per proteggere il bambino di cadute dal carello, dopo che posizionate il bambino nel seggiolino, controllate se le imbracature per la spalla e la vita sono alla altezza e lunghezza appropriata.

22 - 1 Ancora A della imbracatura per la spalla

22 - 2 Ancora B della imbracatura per la spalla

22 - 3 Dispositivo di regolazione scivolante

Per un bambino più grande utilizzate l'ancora A della imbracatura per la spalla e i spazi per la spalla più alti. Per un bambino più piccole, utilizzate l'ancora B della imbracatura per la spalla e i spazi per la spalla più bassi.

Per regolare la posizione della regolazione del cablaggio, ruotate il dispositivo di regolazione al livello con la parte davanti. Passate sul retro del cablaggio pe la spalla tramite lo spazio antistante. **23** Attraversate di nuovo la zona più vicina all'altezza delle spalle del bambino. **24**

Utilizzate il dispositivo di regolazione scivolante per modificare la lunghezza della imbracatura **25 - 1**

Premete il pulsante **25 - 2** mentre fissate la imbracatura per la vita nella lunghezza appropriata. **25 - 3**

Utilizzare l'imbracatura

Esistono 2 posizioni per il regolamento dell'imbracatura montato tra le gambe, secondo le diverse esigenze.

Posizione 1 Per bambini più piccoli **26 - 1**

Posizione 2 Per bambini più grandi **26 - 2**

- i. Tirare l'imbracatura con montaggio tra le gambe e posizionarlo al livello. **27 - 1 & 27 - 2**
- ii. Girare il morsetto dell'imbracatura con montaggio tra le gambe per portare la parte più corta avanti e poi farlo passare attraverso la fessura dell'imbracatura. **27 - 3 & 27 - 4**
- iii. Vai indietro attraverso il foro più vicino alla zona inguinale del bambino davanti alla briglia con fissaggio tra le gambe. **26**

Regolazione del supporto per le gambe

Il supporto per le gambe ha 2 posizioni

Il sollevamento del supporto per le gambe

Per sollevare il supporto per la gamba sollevate.

Abbassamento del supporto per le gambe

Premete il pulsante di regolazione su entrambi i lati del supporto per le gambe **28 - 1** e girate il supporto per le gambe verso il basso **28 - 2**

Utilizzo del blocco del gancio anteriore

Tirare i dispositivi di blocco dell'asso anteriore per mantenere la direzione di movimento. **29**

Consiglio Si raccomanda utilizzare i dispositivi di bloccaggio del gancio su superfici irregolari.

Utilizzo del freno

Per bloccare le ruote, fate click su i pedali di freno. **30**

Per sollevare le ruote, solo sollevate i pedali di freno. **31**

Consiglio Utilizzate il freno ogni volta che viene fermato il carrello.

Regolare la maniglia

Il manico ha 3 posizioni

Per regolare l'altezza del manico, tirate la leva verso l'alto o verso il basso **32 - 2** premendo il pulsante di regolazione del manico. **32 - 1**

Piegatura del carello

! Veuillez plier le baldaquin avant de plier la poussette.

Premere la maniglia di reclinazione sul retro dello schienale per ruotare lo schienale in posizione orizzontale. **33**

Sollevate il pulsante di piego premete in basso la pedale di piego, spingete il carello davanti per il piego. **33**

Il blocco di stoccaggio otterrà automaticamente sul supporto di stoccaggio, e poi passeggino può essere piegato e bloccato completamente. **34**

Utilizzo degli accessori

Gli accessori possono essere commercializzati separatamente o è possibile di non essere disponibile a seconda della regione.

Utilizzo con il seggiolino per auto Joie

Nel utilizzo con il seggiolino per auto Joie gemm, iGemm 2, iLevel, i-Snug vedete le istruzioni riportate di seguito.

1. Per fissare il adattatore posizionarlo su supporti come mostrato in. **35** Un cricchetto significa che l'adattatore è completamente bloccato. **36**
 2. Per fissare il seggiolino auto posizionate la sedia per adattatore come mostrato in. **37** Un cricchetto significa che il seggiolino per auto è completamente bloccato. **38**
 3. Per rimuovere il seggiolino auto sollevarlo **39 - 2** premendo i due pulsanti A di rilascio del carello. **39 - 1**
- ! Se avete problemi sull'utilizzo del carrello e del adattatore, consultate i rispettivi manuali di istruzioni.
- ! Per rimuovere l'adattatore sollevarlo **40 - 2** premendo i due pulsanti di rilascio **40 - 1**
- ! Rimuovete l'adattatore come mostrato nella **41**

Utilizzo della Chrome culla portatile

Culla portatile insieme

1. Aprite il supporto per fili da entrambi i lati della culla portatile **42** poi fissate su le quattro plastica. Un cricchetto significa che il supporto per i fili è fissato completamente **42 - 1**

Așezați salteaua în pătuțul portabil **43** apoi întindeți-o **43 - 1**

! Utilizzate sempre il materasso nel uso della culla portatile /

! Il rivestimento del materasso può essere rimosso facilmente per la pulizia.

2. Regolazione della tenda del letino portatile

Aprite la tenda, tirate la parte anteriore della tenda per aprirla direttamente. **44** Chiudete la tenda, premete i pulsanti di piego su entrambi i lati della culla pieghevole portatile e chiudete la tenda **44 - 1**

3. Il montaggio del coperchio per piedi su il letino portatile. Posizionate il coperchio per piedi sulla culla portatile, quindi collegate le 5 paia di elementi di fissaggio in velcro **45 - 1**

La culla portatile completamente assemblata si presenta come **45**

Montaggio del culla portatile

Allineate i lati della culla portatile sui elementi del telaio, e quindi posizionarlo in linea retta verso il basso, un cricchetto significa che la culla portatile è assemblata completamente. **46**

! Assicurarsi che le voci di regolazione sono stati rimossi prima di usare la culla portatile. **47**

Eliminazione della culla portatile

Premete i pulsanti di rilascio su entrambi i lati della culla portatile **48 - 1** e quindi sollevarlo **48 - 2**

Utilizzo custodia per le gamba

La custodia pe piedi morbida fornisce al vostro bambino un ambito caldo e confortevole

Montate la custodia per piedi seguendo i passi.

1. Regolare il supporto per la gamba e lo schienale rispettivamente in posizione eretta e in posizione di reclinazione prima di montare il sacco coprigambe. **49**
2. Coprire il supporto per la gamba senza il sacco coprigambe. **50**

Il sacco coprigambe montato è come in **51**

Utilizzo della parapioggia

Per il montaggio della copertura antipioggia ⁵²

- ! Prima di utilizzare la parapioggia, assicuratevi che la culla portatile è stata.
- ! Quando si utilizza la parapioggia controllate sempre la ventilazione.
- ! Quando non si utilizza, controllate se la parapioggia è stata pulita e asciugata prima della piegatura.
- ! Non piegate il passeggino dopo il assemblaggio della parapioggia.
- ! Non posizionate il bambino nel passeggino con la parapioggia installata in estate.
- ! Da utilizzare con la supervisione di un adulto. Non utilizzare su un passeggino senza tettuccio.

Uso della fodera sedile

Vedere le figure ⁵³

Uso della copertura imbottita della cintura per le spalle e della copertura imbottita dell'imbracatura spartigambe

La copertura imbottita della cintura per le spalle o la copertura imbottita dell'imbracatura spartigambe possono essere rimosse dalle cinghie. Montare la copertura imbottita della cintura per le spalle e la copertura imbottita dell'imbracatura spartigambe in senso inverso.

Cura e manutenzione

- ! Il cuscino per la seduta rimovibile può essere lavata con acqua fredda e asciugata senza pieghe. Senza sbiancamento.
- ! Per pulire il quadro del carrello, usate solo sapone di Marsiglia e acqua calda. Non usate agenti di sbiancamento o detergenti.
- ! Occasionalmente controllate il carrello per paura che dovesse viti allentati, parti usurate, materiali o cuciture difetti. Sostituite o riparate quelle parti.
- ! Una esposizione eccessiva ai raggi solari o al calore può causare scolorimento o deformazioni delle parti.
- ! Se il carrello è umido, aprite la tenda e lasciatelo asciugarsi completamente prima di depositarlo.
- ! Se le ruote squittiscono, utilizzate un olio leggero (es. Spray al silicio, olio contro la ruggine o olio per la macchina da cucire). È importante di mettere l'olio nel sistema delle ruote o nell'asso. ⁵⁴
- ! Quando si utilizza il passeggino sulla spiaggia, pulite completamente il carrello in seguito per rimuovere la sabbia e il sale dai meccanismi e i sistemi delle ruote.

Joie ailesine girdiginizin icin tebrik ederiz! Bebeğinizin seyahatine eşlik etmekten çok mutluyuz. Joie Chrome bebek arabası aldığınız zaman yüksek kaliteli, tamamı ile sertifikalı, EN 1888-2:2018 Avrupa standardına uygun olarak üretilmiş bir arabaya sahip olursunuz. Ayrıca arabanızı EN1466:2014/AC:2015 standardına uygun Chrome portbebe ile beraber kullanabilirsiniz. Bu ürün, doğumdan 22kg'a veya 4 yaşına kadar olan çocuklar için uygundur (hangisi önce gelirse). Bu kılavuzu dikkatlice okuyunuz ve çocuğunuzun rahatı ve koruması için tüm adımları uygulayınız.

Önemli ! Dikkatli bir şekilde okuyun ve ileride başvurmak için saklayın.

Klavyelerin yuklenmesi için Joiebaby.com adresine ziyaret edin ve daha fazla Joie ilginç ürünlerin görün

İçindekiler

Fotografılar	1-10
UYARILAR	83
Cocuk arabasi montaji	84
Cocuk arabasi acilmasi	85
On tekerlekler montaji	85
Arka tekerlekler menotaji	85
Golgelik montaji	85
El cubugu montaji	85
Bebek arabasi kullanmasi	85
Tenteyi Kullanin	86
Koltuk cevirmesi	86
Egim ayarmasi	86
Toka kullanimi	86
Omuz ve bel kemerleri kullanimi	86
Kasik Kemerini Kullanin	86
Destek ayagi ayari	86
On mili bloke kullanimi	87
Fren kullanimi	87
Kol ayarlamasi	87
Bebek arabasi katlanmasi	87
Aksesuar kullanimi	87
Bakim ve onarim	89

Acil

Acil ve kaza durumlarda, ilk once cocugunuz bakin ve ilk yardim ve tedavi vermek cok önemlidir

Urunile ilgili bilgileri

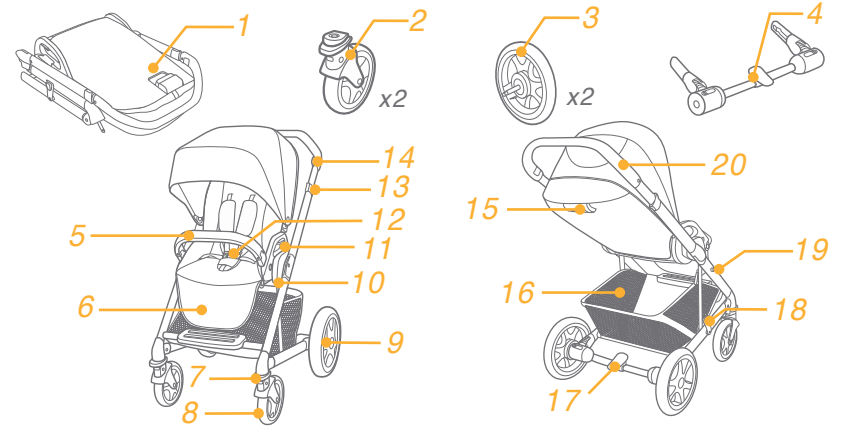
Urunun kullanmadan once kullanma klavyuzundan tum taliatlarin okunun. Eger sorun varsa tucarinin arayin. Bazen ozellikler modele gore degisir.

Urun	Chrome cocuk arabasi
Uygunluk	Bu ürün, doğumdan 22kg'a veya 4 yaşına kadar olan çocuklar için uygundur (hangisi önce gelirse).
Malzemeler	Plastik, Demir ve kumas
Patent no.	Alinmak durumunda
Uretilmis ulkede	Cin
Marka adini	Joie
Site web	www.joiebaby.com
Uretici	Allison GmbH

Parca listesi

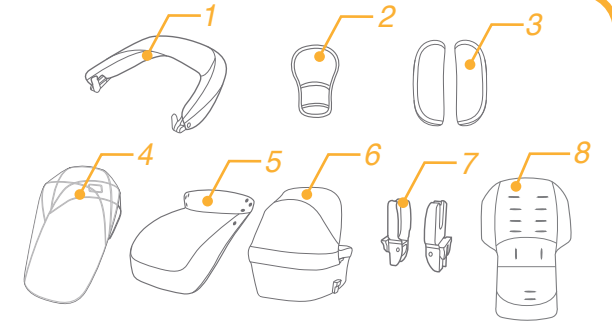
Montaj icin tum parcalari kullanilabilir oldugundan emin olun. Parcalari eksik olursa , yerel tucarin ile irtibat kurun. Montaj icin alet gerekmez

1 Bebek arabasi cercevesi	6 Ayak destegi	brakma dugmesi	16 Depolanma sepeti
2 On tekerlek (X2)	7 Mil kilidi	12 Toka	17 Fren pedali
3 Arka tekerlek (X2)	8 On tekerlek	13 Omuz kemeri	18 Depolanma kiliti
4 Fren toplulugu	9 Arka tekerlek	14 Katlanma dugmesi	19 Depolanma bloke edilen cihaz
5 El cubugu	10 Koltuk montaji	15 kol ayarlanma dugmesi	20 Kol
	11 Koltuk serbest		



Aksesuarlar (Satin alinan urune dahil olmayabilir)

1 Tente
2 Kasik Takımı Tampon Kılıf
3 Omuz Takımı Tampon Kılıf
4 yağmur kapak
5 Ayak ortusu
6 Portatif besik
7 Adaptorun
8 Koltuk Astar



UYARILAR

- ! DİKKAT Kullanmadan önce tüm kilitleme mekanizmalarının bağlı olduğundan emin olun.
- ! DİKKAT Yaralanmayı önlemek için bu ürünü açarken ve katlarken çocuğunuzun uzakta olduğundan emin olun.
- ! DİKKAT Çocuğunuzun bu ürünler oynamasına izin vermeyin.
- ! DİKKAT Daima emniyet kemeri sistemini kullanın.
- ! DİKKAT Her kullanımdan önce port-bebe veya oturma ünitesi veya oto güvenlik koltuğu donatılarının doğru şekilde bağlı olduğunu kontrol edin.
- ! Montajı yetiskinler tarafından yapılır.
- ! Puset maksimum 22 kg a kadar çocuklar için üretilmiş. Yanlış bir ağırlık puseti bozabilir
- ! Telikli şartları ve sabitleme eksikliğini önlemesi için , esya tasınma sepetinde 4,5 Kg fazla ağırlı koymain.
- ! UYARI! Asla çocuğunuzu gözetimsiz bırakmayın. Puset icinden bulunduğun zaman her zaman cocugunuzu bakın.
- ! Puseti sagdece cocugu için kullanın. Puset kollarına ve golgeliklerine cantalar, alisveris ile icinde bulunan posetlerin, paket veya aksesuarları koymayın.
- ! Fazla yuk koyduğunuz zaman, yanlış katlamadığı zaman veya başka üreticinin parçaları kullandığınız zaman puset hasarlanabilir, bozabilir ve sabit olmayabilir. Kullanma Klavuzua çok dikkatle okunun.
- ! Başka üreticilerden parçalarını pusetine kullanmayın
- ! Cocugunuzu yalnız bırakmak tehlikeli olabilir. Puset icinden bulunduğun zaman her zaman cocugunuzu bakın. İşbu uyarıların ve kullanma klavuzunun yazılanların uygulanmaması tehlikeye veya olumsuz yol açabilir.
- ! Emniyet kemerlerin ve bağlanma sistemleri doğru kullanmasına gerekiyor.
- ! Kayma veya düşmeden olan ağır yaralamalar önlemesi için, her zaman emniyet kemerlerin bağlayın
- ! Puset ayarlamaları yapıldığı zaman , pusetin hareket eden yerlerde yanında çocuğu olmadığina emin olun.
- ! Emniyet kemerlerin kullanmadığınız zaman, ayak için boş yerlerde çocuğu kayabilir ve bogulabilir.
- ! Merdivenlerin veya yürüyen merdivenlerinde puseti kullanmayın.
- ! Yüksek sıcaklıkta, sıvı ve elektronik nesneler uzak tutun
- ! Cocugu, puset icinde ayakta durmasını veya kafasını puset önünde durmasını bırakmayın.
- ! Sokakta, egim pozisyona ve tehlikeli yerlerde bırakmayın
- ! Puset kullanmadan önce tüm cihazları sabitleştirmeye emin olun.
- ! Bogulmasını önlemesi için, cocugun bogazın yanında ip ile olan nesnelere, ürün askıya elemanlar, ve ip ile bağlanmış oyuncakları bırakmayın.
- ! Devirmesini önlemek için kolda his bir şey koymayın.

- ! Cocugun icinden İdugun zaman puseti kaldırmayın. .
- ! Cocugun tasınması için seati kullanmayın.
- ! Devirmesini önlemek için cocugun kendisi pusete girmesine bırakmayın. İçinde vedisariya siz cocugun koyun.
- ! Parmakların sıkıstirmamasını için, çok dikkatli puseti açın ve katlayın.
- ! Cocugun yanında bırakmadan önce puset tam açık ve katlanmış olduğuna emin olun.
- ! Cocugun güvenliği sağlanmak için, kullanmadan önce pusetin tüm parçaları iyi monte ve sabitleştirme yaptığınızda emin olun.
- ! Bogulmasını önlemesi için , cocugun golgelik yanında olamadığına emin olun.
- ! Puset durduğunuz zaman , frenleri aktive yapın.
- ! Puset hasarlı veya bozuk olursa o zaman onun kullanmayın
- ! Normal yürümek hızıyla puseti kullanılacak. Ürün kosma amacına yapılmamıştır.
- ! Doğumdan itibaren tasarlanmış bebek arabası için yeni doğan bebeklerin en fazla yagın pozisyona koymasını tavsiye ediyoruz.
- ! Bir destek ile beraber kullanan oto koltukların, bu durulardan otomobiller bir besik veya bir yatak yerine değil. Sizin çocuğu istirahat ihtiyacı olduğun zaman, o zaman bir bebek arabası veya bir besik veya bir yatak içinde yatirin.
- ! Cocugun bogulmamasını için, işbu ürün kullanmadan önce plastik ambalajı çıkarın. Plastik torbaları ve ambalajları bebeklerden ve küçük çocukların uzak durmasına gerekiyor
- ! Bu ürün koşu veya paten için uygun değildir.
- ! Doğumdan itibaren hamak tasarlanmış, ve yeni doğan bebekler için maksimum egim pozisyona ayarlanmasını kullanmaktan tavsiye ediyoruz.
- ! Park etme cihazın, cocugun puset icinde koyduğunuz ve çıkartığınız zamanda aktive edin.
- ! Kendisi ayaktan duran , yanda kendine civiren ve dizlerin üstünde yürüyen bir çocuk için portatif besik kullanmayın.Cocuguk maksimum ağırlık 9 Kg olması gerekiyor.
- ! Uzun bir uyku için portatif besik kullanmayın.
- ! Bebek besigin verildiği dosek disından başka bir dosek kullanmayın.
- ! Bebek taşıyıcıdaki çocuğun kafasının asla gövdesinden aşağıda olmadığından emin olun.
- ! Taşımadan veya kaldırmadan önce, kulpun doğru konumda olduğundan emin olun.
- ! Le maniglie e il fondo devono essere controllati regolarmente per l'eventuale presenza di segni di danno e usura.
- ! Üretici tarafından önerilen yada üretilen aksesuarlar dışında başka bir aksesuar kullanmayınız.

Cocuk arabasi montaji

Ürünü monte ve kullanmadan önce ulanma klavuzunun talimatları çok dikkatli okuyun

Cocuk arabasi acmasini

Depolama kiliti depolama destekten ayirlayin ¹ ve sonradan kolu yukariya kaldirin ² , , bir ses duyduguna zaman bebek arabasi tamamen acik oldugu anlamina gelir.Arkalik dikey pozisyona getirin ³

! Devam etmeden once, urunun tam acildigina kontrol edin

On tekerlek montaji

On destegine on tekerlekler monte edin. Tekerleklerin iyi sabitlestirdigine kontrol etmesi icin , tekerlek toplulugunu cekirme yaptigin. ⁴

On ayaklarin demonte yapmak icin, on ayaklardan tekerleklerin cikartin ⁵ - 2 serbest brakma dugmesini basirdigin zamanda. ⁵ - 1

Arka tekerlekler montaji

Arka ayaklarda fren toplulugu koyun ⁶ , arka tekerlekler fren toplulugua monte edin. ⁷ Sepet borusu arkaya cekin ve arka ayaklari bagalanma boru depolanma sepeti bandi ile beraber sarin ve sonradan olan uc dugmenin bastirin. ⁸- 1.

! Tekerlekler dogru montaj edildigine kontrol etmek icin tekerleklerin toplulugu cekirin.

Arka tekerlegin cikartmasi icin tekerlek , arka destekten cikartin ⁷ - 2 serbest brakma dugmesini bastirin. ⁷ - 1

El cubugu montaji

El cubugu sonun destegi ve uygun olan sabitleme yeri siralayin ve sonradan bloke etmesi icin icinde sokun ⁹ .El cubugu demonte yapmak icin serbest brakma dugmesini bastirin ¹⁰ - 1 ve sonradan el cubugu cekin. ¹⁰ - 2

Golgelik montaji

Golgelik tutturucular boru destegi icinde sokun ve arka bandi arkalisina sabitlesin 2 lastili bandlarla. ¹¹

i. Önce yatırma düğmeleriyle kapşonu takın. ¹¹ - 1

ii. Ardından kapşon ve düğmelerle örtüyü takın. ¹¹ - 2

¹² Fotograftan monte edilmiş bebek arabasını gösteriyor.

Bebek arabasi kullanimi

Tenteyi Kullanın

Fermuarı açıp, Tenteyi ileri doğru iterek açın. ¹³

! Kapşonu açmadan önce, konforluysa arkalıği dik konuma getirin. ¹⁴

! Kapşonu açmadan önce, konforlu değilse lütfen arkalığa bastırıp dik konuma ayarlayın. ¹⁵

Tenteyi katlamak için geriye doğru çekin.

Tenteyi çıkarmak için, sabitleme tırnağına basarken, klipsleri yerinden ayırıp ¹⁶ , 2 düğme çiftini (tente kumaşını koltuğa takmak için kullanılan) ayırın ve tenteyi kaldırın. ¹¹

! Bir kez takıldığında, tentenin düzenli olarak çıkarılması önerilmez.

Koltuk cevirmesi

Anne ve cocugu yuz yuze kalmasi icin koltuk cevirilir .

Koltugu kaldirdigin zaman serbest brakmak dugmelerin sikistirin ¹⁷ Koltugu cevirin ve koltuk icin olan desteklerinde koyun. ¹⁸

Agin ayarlanmasi

Arkalik 5 tane acilarin var.

Sirtligin aginmasi icin , ayarlanma dugmesini sikistirin ¹⁹ - 1 ve sonradan isedigini acindan arkalidi egin ¹⁹ - 2

Arkaligi kaldirmak iin yukasiya ekin.

! Kullanmak icin egin sabitlestigine emin olun

Toka kullanimi

Toka brakmasi

Tokaya serbest brakmasi icin merkezden bulunan dugmenin bastirin. ²⁰

Tokenin blokesi

Omuz ve bel tokasini ayarlayin ²¹ - 1 ve ortadan bulunan tokasin icinde sokun ²¹ - 2 bir ses duydugunuz zaman komple kapanmis demektir ²¹ - 3

! Cocugun kaymasin ve dusmesin nedeni ile olan agir yaralar onlemek icin, her zaman bagalana eminiyet kemerlerin ile korun.

! Cocugun sabit koydugna emin olun. Cocuguk ve kemer arasida bosluklarin yaklasik bir elde olmasini gerekiyor.

! Emniyet keelerlerin bir birne gecirmeyin. Boylece cocugun boyunu bastiriyorsunuz

Omuz ve boy kemerlerin kullanimi

! Dusme nedenlerini cocugu koruması icin, cocugun sandalyede koyduktan sonra, emniye kemerlerin uygun yuksekligine ve uzunluguna takildigina kontrol edin.

²² - 1 Omuzlarin bagalanmasi icin eminyet kemeri cihazı A

²² - 2 Omuzlarin bagalanmasi icin eminyet kemeri cihazı B

²² - 3 Ayarlama cihazı

Buyuk cocular icin kemerlerin bagalanmak cihazı omuz icin A, ve yukardaki olan delikleri icin kullanin. Kucuk cocuklari icin kemerlerin bagalanmak cihazı omuz icin ve asagidaki olan delikleri icin kullanin omuz icin ve asagidaki olan delikleri icin kullanin

Pozisyonu ayarlamak icin omu icin emniyet kemerin bagalanmak cihazı kullanin ve on tarafın seviyesini a kadar kolu cevirin. Arka kemerin deliginden cihazı onunde cektirin. ²³ Yeniden cocugun en yuksek omuzlarin pozisyona en yakin delikten cihazın cektirin. ²⁴

Kemerlerin uzunlugunu ayarlanmasi icin yarlama cihazı kullanin ²⁵ - 1

²⁵ - 2 Dugmeye bastirin , ve aynе zamanda istedigini olcude orta keerin cektirin. ²⁵ - 3

Kasık Kemerini Kullanın

Ayarlama farklı gereksinimlerine göre bacaklarının arasına 2 pozisyon sağlar vardır.

Pozisyon 1 Çocuk bebekler için ²⁶ - 1

Pozisyon 2 Büyük bebekler için ²⁶ - 2

i.Bacaklar arası dizginleri cektirin ve seviyede yerlestirin. ²⁷ - 1&²⁷ - 2

ii.En kısa tarafta onunde getirilmesi icin bacaklar arası bagalanma dizginlerin tutturucunu cevirin ve sonrada dizginin yuvasına sokun ²⁷ - 3 & ²⁷ - 4

iii. Bacaklarının arasına montekasık koşum çocuğa yakınlıkten gidin. ²⁶

Ayak destegi ayarlanmasi

Ayak icin destegi 2 pozisyonu ver.

Ayak icin destegi kaldirmasi

Ayak icin destegi kaldirmasi icin onun kaldirin.

Ayak destegi indirmesi

Ayak icin destegin ayarlama dugmelerini tum taraflari bastirin **28 - 1** ve ayak destegi cihazin asagida cevirin. **28 - 2**

On mili blokenin kullanimi

Haraket yonu tutmak icin on mili bloke cihazlari cekin. **29**

Fikir Mili bloke cihazi kullanmasini duzgun yuzeylerinde kullanmasina tavsi edilir.

Fren Kullanimi

Tekerlekler bloke etmek icin fren pedallari asagidaki bastirin. **30**

Tekerlekler serbest brakmasi icin fren pedallarini kaldirin. **31**

Fikir Bebek arabazi durdugun zaman her zaman freni kullanin.

Kol ayarlanmasi

Kolun 3 pozisyonu var

Kol ayarlanmasi yapmak icin yukari ve asagida cektirin **32 - 2** kolun ayarlanma dugmenin bastirarak. **32 - 1**

Bebek arabasi katlanmasi

! bebek arabasi katlanmadan once golgeligi katlanin.

Arkaligi yatay konumda döndürmek için arkalinin arkasındaki yaslama kulpu'na bastirin. **33**

Katlanma dugmenin kaldirin katlanma pedali asagidaki bastirin , katlanmak icin bebek arabasini onundeitigin. **33**

Depolanma kiliti otomatik depolanma destegine bagalanacak ve bebek arabasi katlanabilir ve komple bloke edilir. **34**

Aksesuar kullanimi

Satin alinan urune dahil olmayabilir

Joie oto koltugu il beraber kullanimi

Joie gemm, iGemm 2, iLevel, i-Snug oto koltugu ile beraber kullandigin zaman asagidaki yazilan talimatlari okuyun.

1.Adaptorun koymasi icin destekten yerlestirmenin fotografina gore **35** bir ses duydugun zaman adaptor komple bloke edildigine demektir. **36**

2.Oto koltugu koymak icin **37** fotografina gore koltugun adaptor ustunden koyun. Bir ses duydugun zaman oto koltugun komple bloke edildigine demektir. **38**

3. Oto koltugun cikartmak icin yukariya kaldirin **39 - 2** araba serbest brakmasi icin cift olan A dugmelerine

bastiracak **39 - 1**

! Eger arabasi ve adaptorun ile ilgili kullanmaktan proble cikarsa, ozaman kullanma kilavuzunu okuyun.

! Adaptorun cikartmasi icin yukariya kaldirin **40 - 2** ve aine anda serbest brakma cift dugmelerini bastirin **40 - 1**

! **41** fotografina gibi adaptorun cikartirin.

Portatif Chrome besik kullanmasini

Portatif besik montaji

1. Portatif besik her iki tarafindan bulunan tel desteklerini acin **42** ve dort plastik elemanlarda onlarin sabitlesirin. Bir ses dydugun zaman, tel icin destegi komple sabitlestirdigine demektir. **42 - 1**

Portatif besik icinde dosegi yerlestirin **43** ve sonradan ona iletin. **43 - 1**

! portatif besik kullanisindan her zaman dosek kullanin

! Yikanmak icin dosegin astari kolayca cikartabilir.

2. Portatif besigin golgelik ayarlanmasi

Golgeligi acin, ve direk acilmak icin golgeligin on tarafta cektirin. **44**

Golgelik kapatmak icin her iki tarafta bulunan kalanma dugmelerin bartirarak ve glgeligi kapatin. **44 - 1**

3. Portatif besigin ayak ortusu montaji.

Portatif besik ustunde ayak ortusu yerlestirin ve sonradan 5 cift kanca ve deliklerin yuzerinde gecirin. **45 - 1**

45 fotografina gore portatif besik monte edildigine gorunur

Portatif besik takilmasi

Cererlestirin, cevenin elemanlarına portatif bik yanlarin siralayin ve sonradan tam asagida yerlestirin, bir ses duydugun zaman portatif besik tam mnte edildigine demektir. **46**

! Portatif besik kullanmadanonce ayar elemanlarin cikarildigina emin olun. **47**

Portatif besik cikarilmasi

Besik her iki tarafindan bulunan serbest brakma dugeleri bastirin **48 - 1** ve sonradan onun cikartirin **48 - 2**

Ayak ortusu kullanimi

Ayak ortusu yumusak ve sicak ve konforlu bir cevre sizin cocuguna saglaniyor.

Asagidaki yazilan adimlar uygulanan ayak ortusu montaj edilir.

1. Ayak kapatıcı örtüyü monte etmeden önce, baldır desteğini ve arkalinin sırasıyla düz konuma ve yaslama konumuna ayarlayın. **49**

2. Baldır desteğini ayak kapatıcı örtüyle kapatın. **50**

Monte edilen ayak kapatıcı örtü gösterildiği gibidir **51**

Yagmur ortusu kullanimi

Yagmur ortusu monte edebilmesi icin. **52**

! Yagmur ortusu kullanmadan once portatif besik sabitlestirdigine emin olun.

! Yagmur ortusu kullandigin zaman havalandirmasini kontrol edin.

! Yagmu ortusu kullanmadigin zaman , katlanmadan nce temizlendigine ve kurulduguna emin olun.

! Yagmur ortusu montaj edildikten sonra bebek arabasi katlanmayin.

! Sicak mevsinden montaj edildigin yagmur ortusunu cocugunuz bebek arabasi icinde koymayin.

! Yetiskin gözetiminde kullanılmalıdır. Gölgelesiz bir bebek arabasında kullanmayin.

Koltuk Astarını Kullanın

Görüntülere bakın **53**

Omuz Takımı Tampon Kılıf ve Kasık Takımı Tampon Kılıfı Kullanın

Omuz takımı tampon kılıf ve kasık takımı tampon kılıf kayıştan çıkarılabilir. Omuz takımı tampon kılıf ve kasık takımı tampon kılıfı, adımları ters yönde izleyerek monte etmek için.

Bakım ve onarım

- ! Çıkarılan minderler soğuk suyu ile yıkanılabilir ve kurutmak için doğal kurulmasını bırakılacak. Camasir suyu kullanmayın
- ! Puset çerçevesi temizlenmek için normal sabun kullanın ve sıcak suyu. Deterjan ve camasir suyu kullanmayın.
- ! Sürekli puset gevşemiş vidalar, parçaların bozulmasına, kumaş yırtmasına ve yapıştırmış nezneler ve dikişlerine için kontrol edin. Yedek parçaların değişirin veya amir edin.
- ! Sıcaktan veya güneşte uzun zaman kaldığından ürünün solmasını ve parçaların deforme olmasını nedeni olabilir.
- ! Eğer pusetin ıslanmasını olursa , gölgeyi acin ve depolamadan önce iyi kurutmasına bakın.
- ! Eğer tekerleklerden ses gelirse, hafif bir yağ kullanın(örnek olarak silikonlu bir spray, paslanmaya karşı bir yağ, veya dikiş makinelerinin için bir yağ kullanın). Tekerlek topluğunda ve aksına yağ koymasını önemlidir. 🛠️
- ! Eğer puset plajda kullanırsa, zaman kullanıldıktan sonra kumu ve tuzu tekerleklerin topluluktan ve mekanizmalardan uzaklaştırmak için komple temizlenin.

KO 반갑습니다!

조이 가족이 되신 것을 축하 드립니다! 당신과 당신 아이의 여행에 동참하게 되어 우리는 매우 설렙니다. 당신과 당신 아이의 여행에 동참하게 되어 우리는 매우 설렙니다. 조이 크롬은 한국 안전기준 및 유럽안전인증 EN 1888-2:2018 받았으며, 조이 크롬과 함께 사용 가능한 요람은 EN 1466:2014/AC:2015을 완벽히 통과한 고품질 제품입니다. 조이 크롬은 무게가 22kg이하의 아이에게 적합한 제품으로 아이의 안전을 최상으로 보장받기 위해서는 이 사용 설명서를 잘 읽고 따라 하여 편안한 사용이 되시기 바랍니다.

목차

그림	1-10
경고	93
유모차 조립 방법	94
유모차 펴기	94
앞 바퀴 조립	94
뒤 바퀴 조립	94
캐노피 조립	95
안전가드 조립	95
유모차 작동 방법	95
캐노피를 사용하세요	95
양대면 전환	95
등받이 각도 조절	95
버클 사용법	95
어깨 및 허리벨트 사용법	96
가랑이 벨트 사용법	96
종아리 받침 사용법	96
앞 바퀴 회전 잠금	96
브레이크 사용	97
핸들 높낮이 조절	97
유모차 접기	97
악세서리 사용	97
관리 및 유지	99

응급상황

사고가 났을 경우 당신의 아이에게 즉시 응급 조치 및 적절한 치료를 하시는 것이 가장 중요합니다.

제품 정보

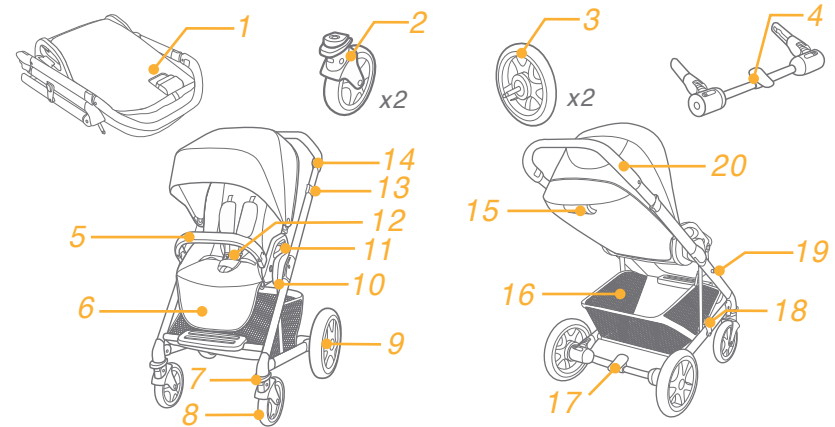
이 제품을 사용하기 전에 설명서에 나와 있는 지시사항을 모두 읽어 보시기 바랍니다. 추가 질문이 있으시면 판매처에 연락하여 주십시오. 모델에 따라서 일부 특징이 다를 수도 있습니다.

제품 크롬 유모차
 사용 기간 무게가 22kg이하의 아이 (신생아 - 48개월)
 재료 플라스틱, 메탈, 패브릭
 특허번호 보류중
 생산지 중국
 브랜드명 조이
 웹사이트 www.joiebaby.co.kr
 제조사 Allison GmbH

부품리스트

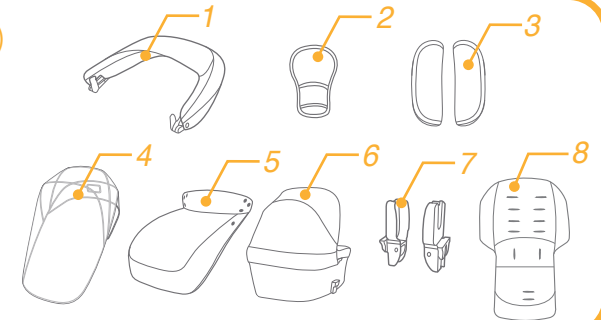
조립 전에 빠진 부품이 없는지 재 확인 바라며 빠진 부품이 있을 시 판매처에 연락 해 주시기 바랍니다. 조립 시 별도의 공구가 필요하지 않습니다.

- | | | | |
|-------------|-------------|----------------|-------------|
| 1 유모차 프레임 | 6 종아리 받침 | 11 시트 분리 버튼 | 16 보관 바구니 |
| 2 앞 바퀴 (x2) | 7 회전 잠금 | 12 버클 | 17 브레이크 페달 |
| 3 뒤 바퀴 (x2) | 8 앞 바퀴 | 13 폴딩 버튼 | 18 접힘 고정 걸이 |
| 4 브레이크 조립 | 9 뒤 바퀴 | 14 등받이 조절 버튼 | 19 접힘 고정 장치 |
| 5 안전가드 | 10 시트 고정 장치 | 15 핸들 높낮이 조절 트 | 20 핸들 |



액세서리 (별도 구매)

- | | | |
|--------|-------------|----------|
| 1 캐노피 | 2 가랑이 벨트 커버 | 3 어깨벨트커버 |
| 4 레인커버 | 5 풋머프 | 6 요람 커버 |
| 7 아답터 | 8 시트 패드 | |



주의

- ! 주의 항상 가량이 벨트와 허리 벨트를 동시에 사용 해 주시기 바랍니다. 또한 어깨 벨트도 함께 사용하 시기를 권장합니다.
- ! 주의 사용 전에 모든 잠금 장치가 잘 작동하는지 확인하십시오.
- ! 주의 아이가 이 제품을 가지고 놀지 않게 주의하십시오.
- ! 주의 유모차 사용 전에 유모차 프레임과 시트가 정확하게 장착 되는지 확인하십시오.
- ! 조립은 성인 해 주시기 바랍니다.
- ! 이 유모차는 무게가 22kg이하의 아이에게 적합 합니다. 그렇지 않을 경우 유모차가 손상을 입을 수 있 습니다.
- ! 불안정하거나 위험한 상황을 막기 위해 보관 바구니에 4.5kg이상을 적재하지 마십시오.
- ! 절대 아이를 혼자 두지 마십시오. 아이가 유모차에 앉아 있는 동안에는 부모의 보호 아래 두십시오.
- ! 이 제품에는 한 아이 이상 태우지 마십시오. 핸들이나 캐노피에 가방, 쇼핑백, 물건 또는 어떠한 액세 서 리도 놓지 마십시오.
- ! 초과 적재, 부정확한 폴딩 또는 다른 제조사로부터 제작된 액세서리의 사용은 유모차에게 손상 또는 고장의 원인이 되며 안정성에 문제가 됩니다. 사용설명서를 바르게 읽어 주십시오.
- ! 다른 제조사로부터 제작된 액세서리의 사용을 금합니다.
- ! 유모차 사용 전에 이 사용설명서를 읽어 주시기 바랍니다.
- ! 추후 사용을 위해 이 사용설명서를 잘 보관해 주시기 바랍니다. 이 사용설명서의 지시나 경고를 따르 지않을 경우 아이가 심각한 부상 또는 사망에 이를 수 있습니다.
- ! 안전벨트는 정확한 방법으로 사용되어야 합니다.
- ! 낙상 또는 미끄러짐 등 심각한 부상을 막기 위해 항상 벨트를 사용하여 주시기 바랍니다.
- ! 유모차 주행 시 움직이는 부위에 아이의 몸이 끼어 있지 않은지 잘 확인합니다.
- ! 계단이나 에스컬레이터에서 유모차 사용을 금합니다.
- ! 높은 온도의 물건, 액체 또는 가전으로부터 유모차를 멀리합니다.
- ! 아이가 유모차에서 일어서거나 머리를 유모차 밖으로 내밀지 않도록 주의 합니다.
- ! 차도나 내리막길 또는 위험한 장소에 유모차를 두지 않도록 합니다.
- ! 유모차 사용 전에 모든 기계장치들이 잘 고정되어 있는지 확인하십시오.
- ! 목 졸림을 막기 위해 아이 목 근처나 주위에 끈이 있는 장남감 또는 물건 등을 두지 마십시오.
- ! 유모차가 기우는 것을 막기 위해 어떠한 물건도 핸들에 걸지 마십시오.
- ! 아이가 유모차에 앉아 있는 동안 유모차를 들지 마십시오.
- ! 보관 바구니를 아이를 실어 옮기지 마십시오.
- ! 유모차가 기우는 것을 막기 위해 아이가 유모차에 기어 오르게 하지 마십시오. 아이를 들어 유모차에 태우거나 내리십시오.
- ! 손가락 끼임 현상을 막기 위해 유모차를 접고 펼 때 주의하여 주십시오.
- ! 아이가 유모차 근처에 있을 때에는 유모차가 완전히 접혀 있거나 펼쳐 있는지 확인하십시오.
- ! 아이의 안전을 위해서 유모차 사용 전에 모든 부품이 정확히 조립되고 고정되어 있는지 확인하십시오.
- ! 목 졸림을 막기 위해 캐노피로부터 아이가 멀리 있는지 확인하십시오.
- ! 유모차에 손상 또는 고장이 있을 시 사용을 즉시 중단 해 주십시오.

- ! 유모차는 걷는 속도로 사용하시기 바랍니다. 이 제품은 조깅을 위한 유모차가 아닙니다.
- ! 질식사 위험을 피하기 위해서 이 제품 사용 전에 모든 비닐 포장을 제거 해 주십시오. 비닐 포장은 아이의 손이 닿지 않는 곳으로 치워주시기 바랍니다.
- ! 이 제품은 달리기나 스케이팅에 적합하지 않습니다.
- ! 이 제품은 신생아부터 사용할 수 있도록 디자인되었으며 신생아를 위해서는 최대각도로 눕어 사용하 시기 바랍니다.
- ! 아이를 유모차에 태우거나 내릴 때에는 브레이크가 잠긴 상태로 사용하여 주십시오.
- ! 요람은 아이가 스스로 앉거나, 구르기 이전, 손과 무릎으로 짚고 일어서기 전까지만 사용이 적합하며 아이의 무게가 9kg이하여야 합니다.
- ! 요람에서의 장시간 수면은 적합하지 않습니다.
- ! 요람에 제공 된 매트리스 이외 추가 매트리스 또는 다른 아이템을 함께 사용하지 마십시오.
- ! 카시트 사용 시에는 프레임에 아답터와 함께 사용하여야 하며 이 제품은 아기침대로 사용 할 수 없습 니다. 아이의 장시간 수면을 위해서는 적절한 요람이나 아기침대 사용을 권장합니다.
- ! 절대로 유모차 안에 있는 유아의 머리가 몸보다 낮은 위치에 있으면 안됩니다.
- ! 유모차를 운반할 때나 들어올릴 때, 반드시 핸들이 바른 위치에 있게 해주십시오.
- ! 유모차의 핸들과 바닥에 생기는 손상과 마모의 흔적을 정기적으로 점검해야 합니다.
- ! 제조업체에서 생산하거나 승인한 것이 아닌 액세서리, 부품 또는 구성품은 절대 사용하지 마십시오.

유모차 조립 방법

유모차 사용과 조립 전에 이 사용설명서를 모두 읽어 주시기 바랍니다.

유모차 펴기

유모차가 접힌 상태에서 접힌 고정 걸이를 분리하여 ❶, 핸들을 위로 들로 올리고 ❷, 클릭 소리가 면 유모차는 완전히 펴진 상태가 됩니다. 등받이를 들어올려 수직상태로 위치하게 합니다. ❸

! 다음 단계 이전에 유모차가 완전히 펴졌는지 확인합니다.

앞 바퀴 조립

의 그림과 같이 유모차 앞쪽에 양쪽 앞 바퀴를 끼워 넣습니다. 앞 바퀴를 당겨보아 제대로 장착되었는 지 확인합니다. ❹ 앞 바퀴를 분리하려면 앞 다리로부터 앞 바퀴 분리 버튼 ❺ - 1 을 누른 후 잡아 당깁 니 다. ❺ - 2

뒤 바퀴 조립

브레이크를 뒤 다리에 끼워 넣고 ❻, 브레이크 프레임 양쪽에 뒤 바퀴를 끼워 넣습니다. ❼보관용 바구니 를 뒤 다리 프레임 쪽으로 당겨 프레임을 감싼 후 보관용 바구니에 달린 3개의 버튼으로 고정합니다. ❸ - 1

! 뒤 바퀴를 당겨보아 제대로 장착되었는지 확인합니다.

뒤 바퀴를 분리하려면, 브레이크 프레임에 위치한 뒤 바퀴 고정 버튼 ❼ - 2 을 누른 후 잡아 당깁니다. ❼ - 1

안전가드 조립

안전가드를 유모차 시트에 있는 안전가드 고정 장치 부분과 나란히 위치 하게 한 후 끼워 넣습니다. 9

안전가드를 분리하려면 안전가드 분리 버튼 10-1을 누른 채, 안전가드를 앞으로 잡아 당겨 분리합니다. 10-2

캐노피 조립

캐노피에 있는 클립을 유모차 시트에 있는 고정 장치에 끼워 넣고, 캐노피 뒤 부분에 있는 2 개의 고무줄을 이용해 등받이의 고리에 걸어주십시오. 11

i. 먼저 후드 웨빙을 리클라인 단추에 채웁니다. 11-1

ii. 후드 웨빙과 단추가 채워진 상태에서 후드 직물을 채웁니다. 11-2

안전가드가 장착된 모습은 그림 12 번을 참고 해 주십시오.

유모차 작동 방법

캐노피를 사용하세요

지퍼를 열고, 캐노피를 펴기위해 앞으로 당겨주세요. 13

! 후드를 펴기 전에 편안한 위치를 찾아 등받이를 수직으로 조정하십시오. 14

! 편안하지 않으면 후드를 펴기 전에 등받이를 눌러 등받이를 수직 위치로 조정하십시오. 15

캐노피를 접기 위해, 뒤쪽으로 잡아 당깁니다.

캐노피를 분리하기 위해, 캐노피 클립 앞 버튼을 누른 채 당겨 분리하세요. 16 캐노피와 시트 연결을 위해 사용된 2쌍의 버튼을 분리하고, 캐노피를 들어올리세요. 11

! 한번 장착하면, 자주 캐노피를 제거하는 것을 권해 드리지 않습니다.

양대면 전환

이 유모차는 양대면이 가능하여 아이와 엄마가 편안하게 얼굴을 마주할 수 있습니다.

시트 분리 버튼을 누른 채 시트를 들어올 17 반대 방향으로 돌린 후 다시 시트 고정장치에 시트를 끼워 넣습니다. 18

등받이 각도 조절

등받이는 5 단계로 조절이 가능합니다.

등받이 각도 조절을 위해서는 조절 버튼을 눌러 19-1 원하는 각도로 위치 하게 합니다. 19-2

등받이를 세우려면 앞으로 밀어 올립니다.

! 올바른 사용을 위해서 등받이가 제대로 고정되었는지 확인합니다.

버클 사용법

버클 분리

가운데 분리 버튼을 눌러 분리합니다. 20

버클 고정

허리 벨트 버클과 어깨 벨트 버클을 만나게 한 후 21-1, 가운데 버클에 '클릭' 소리가 나게 고정합니다. 21-2 '클릭' 소리가 나면 버클은 완전히 고정 된 상태입니다. 21-3

! 낙상 또는 미끄러짐 등 심각한 부상을 막기 위해 아이에게 항상 벨트를 채워 주시기 바랍니다.

! 아이가 편안하고 안전하게 보호되는지 확인 하여 주십시오. 아이와 어깨벨트 끈 사이에 손 두께 정도의 공간 이 있는지 확인하여 주십시오.

! 어깨 벨트는 교차해서 메지 마십시오. 아이의 목이 압박 될 수 있습니다.

어깨 및 허리벨트 사용법

! 아이의 낙상을 방지하기 위해 아이를 유모차 시트에 앉힌 후 어깨 벨트와 허리 벨트가 알맞은 길이와 높이인지 확인하십시오.

22-1 어깨 벨트 높이 A

22-2 어깨 벨트 높이 B

22-3 길이 조절 클립

큰 아이를 위해서는 어깨 벨트 높이를 A에 위치한 슬롯에 고정하고 작은 아이를 위해서는 어깨 벨트 높이를 제일 낮은 B에 위치한 슬롯에 고정합니다.

어깨 벨트 높이를 조절하기 위해서는 클립을 슬롯을 통과 할 수 있는 방향을 틀어 뒤에서 앞으로 보냅니다.

23 아이의 어깨 높이에 알맞은 위치의 슬롯에 다시 통과 시켜 고정합니다. 24

길이 조절 클립을 이용하여 벨트 길이를 조절합니다. 25-1

25-2의 그림과 같이 옆쪽 버튼을 누른 채 벨트 끈을 당겨 원하는 길이로 조절합니다. 25-3

가랑이 벨트 사용법

용도에 따라 가랑이 벨트는 2가지 단계로 조절이 가능합니다.

1단계 작은 아이를 위해서는 26-1 에 위치하여 주십시오.

2 단계 큰 아이를 위해서는 26-2 에 위치하여 주십시오.

i. 가랑이 벨트를 당겨 27-1 또는 27-2 와 같은 위치로 놓아주십시오.

ii. 가랑이 벨트 클립의 짧은 쪽이 앞을 향하도록 돌려서 27-3 또는 27-4 와 같이 가랑이 벨트가 슬롯을 통과 할 수 있게 하여 주십시오.

iii. 아이의 가랑이와 가장 가까운 슬롯에 가랑이 벨트를 다시 채워주십시오. 26

종아리 받침 사용법

종아리 받침은 2단계로 조절이 가능합니다.

종아리 받침 올리기

종아리 받침을 올리려면 위로 밀어 올려 주시기 바랍니다.

종아리 받침 내리기

종아리 받침 양쪽에 위치한 버튼 28-1 을 눌러 종아리 받침을 아래 방향으로 내립니다. 28-2

앞 바퀴 회전 잠금

앞 바퀴 회전 잠금 장치를 아래로 누르면 앞 바퀴가 회전을 멈추고 직진하게 됩니다. 29

Tip 앞 바퀴 회전 잠금 사용은 노면이 고르지 못한 길에 사용 하시기를 권장합니다.

브레이크 사용

바퀴를 잠그기 위해서는 브레이크 페달을 아래 방향으로 밟아 주시기 바랍니다. 30

바퀴 잠금을 풀기 위해서는 브레이크 페달을 위로 올려 주시기 바랍니다. 31

Tip 유모차가 멈춰진 상태에서는 항상 브레이크를 사용 해 주시기 바랍니다.

핸들 높낮이 조절

핸들 높이는 3단계로 조절이 가능합니다.

핸들 높낮이를 조절 하기 위해서는 핸들 조절 버튼 32 - 1 을 누른 채 위 또는 아래로 32 - 2 움직여 주시기 바랍니다.

유모차 접기

! 유모차를 접기 전에 캐노피를 먼저 접어 주시기 바랍니다.

등판 뒤에 있는 각도 조절 버튼을 눌러 앞으로 접으세요. 33

유모차 시트 등받이 조절 버튼을 눌러 앞으로 완전히 보낸 후 유모차 폴딩 버튼을 위로 올린 채, 핸들을 앞쪽으로 넘겨 유모차를 접습니다. 33

접힘 고정 걸이가 자동으로 고정 장치에 걸려 유모차는 완전히 접히게 됩니다. 34

악세서리 사용

악세서리는 별도로 판매하고 있으며 일부 국가에 따라서는 구매가 가능 하지 않을 수 있습니다.

조이 카시트 사용

조이 젼 (gemm, iGemm 2, iLevel, i-Snug) 카시트와 사용 할 경우 아래 지시사항을 따라 주시기 바랍니다.

1. 아답터를 장착하기 위해서는 35 번 그림과 같이 프레임에 있는 고정장치에 아답터를 끼우고 '클릭' 소리가 나면 아답터는 제대로 고정된 상태입니다. 36

2. 카시트를 장착하기 위해서는 37 번 그림과 같이 아답터에 카시트를 끼우고 '클릭' 소리가 나면 카시트는 제대로 고정 된 상태입니다. 38

3. 카시트를 분리하기 위해서는 카시트 핸들 옆쪽에 위치한 두개의 버튼 39 - 2 을 누른 채 위로 들어올려 주시기 바랍니다. 39 - 1

! 유모차와 아답터 사용에 있어서 문제 발생 시 각각의 사용 설명서를 확인 바랍니다.

! 아답터를 분리하기 위해서는 아답터의 분리 버 40 - 1 을 누른 채 위로 들어올리면 분리됩니다. 40 - 2

! 아답터가 분리된 모습은 그림 41 번을 참조 바랍니다.

! 카시트가 장착된 상태에서 유모차를 접지 마십시오.

요람 Chrome 사용

요람 조립

1. 요람 안쪽 양쪽에 있는 두 개의 와이어 42 를 네 곳의 플라스틱 고정장치에 '클릭' 소리가 나게 완전히 고정합니다. 42 - 1

요람 안쪽에 매트리스를 깔고 43, 평편하게 잘 펴 줍니다. 43 - 1

! 요람 사용 시 항상 매트리스를 사용하시기 바랍니다.

! 매트리스 커버는 쉽게 분리하여 세탁이 가능합니다.

2. 요람 캐노피 조절

캐노피를 앞으로 당겨 고정합니다. 44

캐노피 옆쪽에 위치 한 양쪽 버튼을 눌러 뒤로 젖혀 캐노피를 접습니다. 44 - 1

3. 요람 커버 조립

요람 커버를 요람 위로 위치하게 한 후 5개의 버튼으로 고정합니다. 45 - 1

요람 커버가 장착된 모습은 그림 45

프레임에 요람 장착

아답터가 장착된 프레임에 요람을 나란히 위치하게 합니다.

요람을 아래로 아답터에 '클릭' 소리가 날 때까지 완전히 끼워 넣습니다. 46

'클릭' 소리가 나면 요람은 제대로 고정 된 상태입니다.

! 요람 사용 전에는 항상 아답터를 분리하여 주십시오.

! 요람이 장착된 상태에서 유모차를 접지 마십시오.

요람 분리

요람 양쪽에 있는 분리 버튼 48 - 1 을 눌러, 위로 들어올려 분리합니다. 48 - 2

풋머프 사용

부드러운 풋머프는 아이에게 따뜻하고 편안한 환경을 제공합니다.

다음 단계에 따라 풋머프를 조립하여 주십시오.

1. 풋머프를 장착하기 전에 종아리 받침과 등받침을 평평한 위치와 젖힌 위치에서 각각 조절하세요. 49

2. 종아리 받침을 풋머프로 씌우세요. 50

풋머프가 장착된 모습은 51 번 그림과 같습니다.

레인 커버 사용

레인 커버를 조립하기 위해서는 유모차 위에 레인 52

! 레인 커버 사용 전, 유모차의 시트가 정확하게 고정되었는지 확인합니다.

! 레인 커버 사용 시 항상 통풍 상태를 확인하여 주시기 바랍니다.

! 레인 커버가 장착된 상태에서 유모차를 접지 마십시오.

! 더운 날씨에는 레인 커버가 장착된 상태에서 아이를 유모차에 두지 마십시오.

! 어른의 감독하에 사용되어야 합니다. 캐노피 없이 유모차를 사용하지 마세요.

시트패드를 사용하세요

그림 참조 53

어깨벨트커버와 가량이 벨트 커버를 사용하세요

어깨벨트커버나 가량이 벨트 커버는 벨트에서 분리할수 있습니다.어깨벨트커버와 가량이 벨트를 반대로 조립하기 위해서.

관리 및 유지

- ! 분리가 가능한 시트 패드는 차가운 물에서 세탁이 가능하며 닦아서 말리시기 바랍니다. 표백제의 사용은 금합니다.
- ! 유모차 프레임은 따뜻한 비눗물을 사용해 주시고 이 외 세제나 표백제의 사용을 금합니다.
- ! 유모차에 느슨한 나사, 마모된 부위, 찢어진 부위나 뜯어진 바느질이 없는지 수시로 확인해 주시고 필요 시 수리 또는 부품 교환을 받으시기 바랍니다.
- ! 열 또는 직사 광선 등의 노출은 변색이나 변모의 원인이 될 수 있습니다.
- ! 유모차가 수분에 노출 되고 난 후, 유모차와 캐노피를 열어서 완전히 건조 시킨 후 보관 해 주시기 바랍니다.
- ! 만약에 바퀴에서 소음이 발생 하는 경우 가벼운 오일 (실리콘 스프레이, 녹 방지 오일 또는 재봉틀 오일)을 사용하여 주십시오. 바퀴와 축 사이에 오일이 침투될 수 있게 해주는 것이 중요합니다. 54
- ! 해변에서 유모차를 사용 할 경우, 유모차 사용 후 바퀴 또는 기계장치에 묻은 모래, 소금 등 이물질을 완전히 제거 한 후 재 조립 하여주시기 바랍니다.

Συγχαρητήρια που γίνετε μέλος της οικογένειας Joie. Είμαστε ενθουσιασμένοι που γίνουμε κομμάτι του ταξιδιού σας με το μωρό σας. Καθώς ταξιδεύετε με το Joie CHROME χρησιμοποιείτε ένα καρότσι υψηλής ποιότητας, πλήρως πιστοποιημένο σύμφωνα με τα Ευρωπαϊκά στάνταρτ ασφαλείας EN 1888-2:2018 και μπορεί να χρησιμοποιηθεί με Joie Chrome-πορτ μπεμπέ το οποίο έχει εγκριθεί με το πρότυπο EN 1466: 2014 / AC: 2015.

Αυτό το προϊόν είναι κατάλληλο για παιδιά βάρους μέχρι και 22 κιλών ή ηλικίας έως 4 ετών, όποιο συμβεί πρώτο. Παρακαλώ διαβάστε προσεκτικά τις οδηγίες και ακολουθήστε όλα τα βήματα εξασφαλίζοντας άνετες βόλτες και την καλύτερη προστασία για το παιδί σας.

Σημαντικό – Διαβάστε προσεκτικά τις οδηγίες και φυλάξτε τις γιατί μπορεί να σας χρειαστούν στον μέλλον

Επισκεφτείτε μας στο www.joiebaby.com για να κατεβάσετε το εγχειρίδιο και για να δείτε και άλλα ενδιαφέροντα προϊόντα Joie

Περιεχόμενα

Στοιχεία	1-10
Προσοχή	103
Άνοιγμα καροτσιού	104
Συναρμολόγηση μπροστινών τροχών	104
Συναρμολόγηση Πίσω τροχών	104
Συναρμολόγηση μπάρας	105
Συναρμολόγηση κουκούλας	105
Λειτουργία καροτσιού	105
Χρήση κουκούλας	105
Ρύθμιση διακόπτη θέσης	105
Ρύθμιση ανάκλισης	105
Χρήση ασφάλειας	105
Χρήση ζώνη ώμου και μέσης	106
Ρύθμιση Υποποδίου	106
Χρήση μπροστινού φρένου	106
Χρήση φρένου	106
Ρύθμιση χειρολαβής	107
Κλείσιμο καροτσιού	107
Χρήση αξεσουάρ	107
Φροντίδα και Συντήρηση	108

ΕΠΕΙΓΟΝ

Σε περίπτωση έκτακτης ανάγκης ή ατυχήματος, είναι σημαντικό να έχει το παιδί σας άμεση ιατρική περίθαλψη

Πληροφορίες Προϊόντος

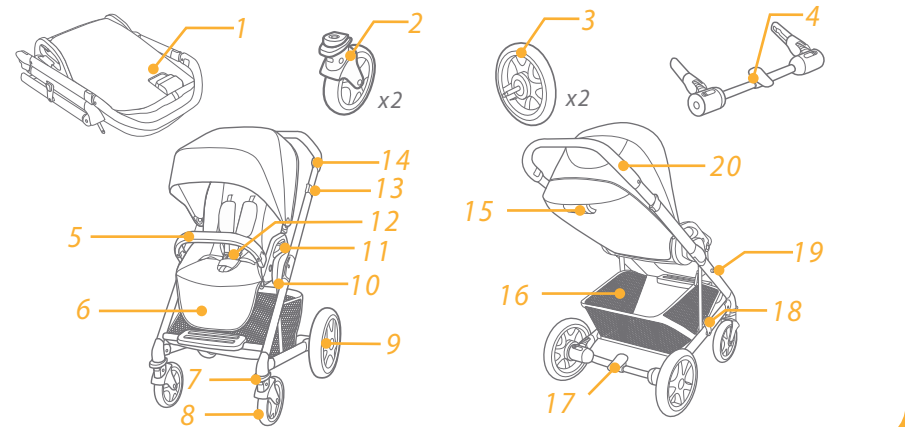
Διαβάστε προσεκτικά τις οδηγίες από το εγχειρίδιο .Σε περίπτωση απορίας επικοινωνήστε με το πωλητή σας άμεσα .Κάποια χαρακτηριστικά μπορεί να διαφέρουν ανάλογα το μοντέλο.

Προϊόν	Chrome καρότσι
Κατάλληλο για	Αυτό το προϊόν είναι κατάλληλο για παιδιά βάρους μέχρι και 22 κιλών ή ηλικίας έως 4 ετών, όποιο συμβεί πρώτο.
Υλικά	Πλαστικά, Μεταλλικά Υφάσματα
Patent no	Εκκρεμούν
Κατασκευασμένο	Κίνα
Όνομα Εταιρείας	Joie
Ιστότοπος	www.joiebaby.com
Κατασκευαστής	Allison GmbH

Λίστα

Σιγουρευτείτε ότι όλα τα κομμάτια είναι διαθέσιμα πριν τη συναρμολόγηση .Αν κάποιο κομμάτι λείπει παρακαλώ επικοινωνήστε με τον αντιπρόσωπο σας. Δεν χρειάζονται εργαλεία για τη συναρμολόγηση.

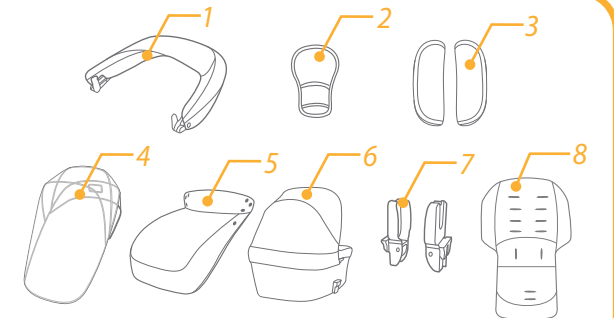
- | | | | |
|--------------------------|-------------------------------|-------------------------------|------------------------|
| 1 Σκελετός καροτσιού | κλειδαριά | 13 Κουμπί Αναδίπλωσης | 19 Μάνταλο αποθήκευσης |
| 2 Μπροστινοί τροχοί (x2) | 8 Μπροστινοί τροχοί | 14 Κουμπί Ρύθμισης χειρολαβής | 20 Χειρολαβή |
| 3 Πίσω τροχοί (x2) | 9 Πίσω τροχοί | 15 Χειρολαβή ανάκλισης | |
| 4 Συναρμολόγηση φρένων | 10 Θέση | 16 Καλάθι | |
| 5 Χειρολαβή | 11 Κουμπί Απελευθέρωσης θέσης | 17 Φρένο | |
| 6 Υποπόδιο | 12 Ασφάλεια | 18 Μάνταλο αποθήκευσης | |



Αξεσουάρ

(δεν περιλαμβάνονται)

- 1 Κουκούλα
- 2 Μαξιλαράκι ασφάλειας
- 3 Μαξιλαράκια ζώνης
- 4 Κάλυμμα Βροχής
- 5 Ποδιά Ποδόσκακου
- 6 Πορτ Μπεμπέ
- 7 Αντάπτορες
- 8 Υφάσματα



ΠΡΟΣΟΧΗ

- ! ΠΡΟΣΟΧΗ Βεβαιωθείτε ότι έχουν ενεργοποιηθεί όλες οι διατάξεις ασφάλισης πριν από τη χρήση
- ! ΠΡΟΣΟΧΗ Για την αποφυγή τραυματισμών απομακρύνετε το παιδί σας από το άνοιγμα και το κλείσιμο αυτού του προϊόντος
- ! ΠΡΟΣΟΧΗ Μην αφήνετε το παιδί σας να παίζει με αυτό το προϊόν
- ! ΠΡΟΣΟΧΗ Χρησιμοποιήστε πάντα το σύστημα πρόσδεσης
- ! ΠΡΟΣΟΧΗ Βεβαιωθείτε ότι το σώμα του καροτσιού ή το κάθισμα ή τα εξαρτήματα στερέωσης του καθίσματος είναι σωστά τοποθετημένα πριν τη χρήση.
- ! Η Συναρμολόγηση του καροτσιού να γίνεται από ενήλικα.
- ! Η χρήση του καροτσιού με ένα παιδί που είναι πάνω από 22 κιλά θα προκαλέσει ζημιά στο καρότσι.
- ! Για να αποτραπεί μία επικίνδυνη ασταθή κατάσταση μην τοποθετείτε στο καλάθι βάρος παραπάνω από 4,5 κιλά.
- ! ΠΡΟΕΙΔΟΠΟΙΗΣΗ! Μην αφήνετε ποτέ το παιδί σας χωρίς επιτήρηση. Πάντα να το επιβλέπεται
- ! Να χρησιμοποιείτε μόνο με ένα παιδί τι καρότσι και μην βάζετε σακούλες, τσάντες και πολύ βάρος στις χειρολαβές.
- ! Η υπερφόρτωση, η λάθος αναδίπλωση ή η χρήση εξαρτημάτων άλλων κατασκευαστών μπορεί να προκαλέσουν στο καρότσι ζημιά ή να σπάσει Διαβάστε το εγχειρίδιο οδηγιών προσεκτικά.
- ! Παρακαλώ διαβάστε προσεκτικά τις οδηγίες χρήσεως πριν χρησιμοποιήσετε το προϊόν .Κρατήστε τις οδηγίες για το μέλλον. Η Αποτυχία σωστής χρήσης του καροτσιού μπορεί να προκαλέσει σοβαρού τραυματισμούς ή θάνατο.
- ! Οι ζώνες ασφαλείας και το σύστημα συγκράτησης πρέπει να χρησιμοποιούνται σωστά.
- ! Βεβαιωθείτε ότι το σώμα του παιδιού σας είναι σαφές όταν συναρμολογείτε το καρότσι.
- ! Τα παιδιά μπορεί να γλιστρήσουν από το άνοιγμα τον ποδιών αν δεν χρησιμοποιείτε την ζώνη .
- ! Μην χρησιμοποιείτε το καρότσι σε σκάλες .
- ! Μην τοποθετείτε αντικείμενα που μπορεί να προκαλέσουν τραυματισμό στο καρότσι.
- ! Κρατήστε το καρότσι μακριά από υψηλές θερμοκρασίες ,υγρά ή ηλεκτρονικές μηχανές.
- ! Μην αφήνετε το μωρό σας να είναι όρθιο στο καρότσι ή να κάθεται ανάποδα με το κεφάλι προς τα κάτω .
- ! Μην αφήνετε το καρότσι σας σε επικίνδυνους δρόμους, πλαγιές .
- ! Σιγουρευτείτε ότι όλα τα κομμάτια είναι σωστά συναρμολογημένα και ότι το καρότσι κλείνει σωστά πριν την χρήση του.
- ! Προς αποφυγή στραγγαλισμού μην τοποθετείται προϊόντα με κορδόνια κοντά στο λαιμό του παιδιού σας .
- ! Προς αποφυγή αστάθειας μην βάζετε τίποτα στις χειρολαβές .
- ! Μην γλιστράτε το καρότσι ενώ το παιδί είναι μέσα.
- ! Μην χρησιμοποιείτε το καλάθι για να βάζετε μέσα το παιδί.

- ! Προς αποφυγή ατυχημάτων μην αφήνετε το παιδί να σκαρφαλώνει στο καρότσι .
- ! Προς αποφυγή ατυχημάτων στα δάχτυλα να προσέχετε όταν ανοίγετε και κλείνετε το καρότσι.
- ! Σιγουρευτείτε ότι το καρότσι είναι καλά ανοιχτό ή κλειστό πριν αφήσετε το παιδί σας κοντά του.
- ! Για να εξασφαλιστεί η ασφάλεια του παιδιού σας παρακαλούμε να βεβαιωθείτε ότι όλοι οι μηχανισμοί έχουν καθοριστεί πριν από τη χρήση του καροτσιού.
- ! Προς αποφυγή του στραγγαλισμού βεβαιωθείτε ότι το παιδί σας είναι μακριά από την κουκούλα.
- ! Πάντα να χρησιμοποιείτε το φρένο όταν έχετε σταματημένο το καρότσι
- ! Μην χρησιμοποιείτε το καρότσι αν έχει χαλάσει ή σπάσει .
- ! Η χρήση του καροτσιού είναι καθαρά για βόλτα και όχι για τζόκιν .
- ! Προς αποφυγή ασφυξίας μετακινήστε την πλαστική σακούλα και την σακούλα συσκευασίας από το προϊόν .Η πλαστική σακούλα και η σακούλα συσκευασίας πρέπει να φυλάγονται μακριά από το καρότσι .
- ! Μην χρησιμοποιείτε το προϊόν αυτό όταν κάνετε τζόκινγκ.
- ! Το καρότσι έχει σχεδιαστεί για χρήση από 0 και συνιστάται να χρησιμοποιείτε στην μεγαλύτερη ανάκληση για νεογέννητα .
- ! Για τα καθίσματα αυτοκινήτων χρησιμοποιείται σε συνδυασμό με ένα αμάξωμα το όχημα αυτό δεν αντικαθιστά μια κούνια ή το κρεβάτι. Αν το παιδί σας πρέπει να κοιμηθεί τοποθετείστε το σε ένα κρεβάτι .
- ! Παρακαλώ σιγουρευτείτε ότι το κεφάλι του παιδιού στο πορτ μπεμπε δεν θα είναι χαμηλότερα από το σώμα του
- ! Παρακαλώ βεβαιωθείτε ότι η λαβή είναι στη σωστή θέση χρήσης πριν από την ανύψωση.
- ! Οι λαβές και το κάτω μέρος του πορτ μπεμπε θα πρέπει να επιθεωρούνται τακτικά για σημάδια βλάβης και φθοράς.
- ! Μην χρησιμοποιείτε ποτέ εξαρτήματα, μέρη ή ανταλλακτικά που δεν παράγονται ή δεν έχουν εγκριθεί από τον κατασκευαστή.
- ! Αυτό το προϊόν είναι κατάλληλο για παιδιά βάρους μέχρι και 22 κιλών ή ηλικίας έως 4 ετών, όποιο συμβεί πρώτο.

Συναρμολόγηση καροτσιού

Παρακαλώ διαβάστε καλά τις οδηγίες χρήσεως πριν χρησιμοποιήσετε το καρότσι .

Άνοιγμα καροτσιού

Ξεχωρίστε την ασφάλεια κλειδώματος από το κλιπ **1** και μετά σηκώστε προς τα πάνω την χειρολαβή **2** , ένας ήχος «κλικ» θα ακουστεί που σημαίνει ότι το καρότσι έχει ανοίξει .Περιστρέψτε την πλάτη σε όρθια θέση . **3**

! Βεβαιωθείτε ότι το καρότσι είναι εντελώς ανοιχτό πριν συνεχίσετε .

Συναρμολόγηση μπροστινών τροχών

Συναρμολογήστε τις μπροστινές ρόδες στα μπροστινά πόδια. Σιγουρευτείτε ότι οι ρόδες είναι καλά ασφαλισμένες . **4**
οι μπροστινοί τροχοί μπορούν να αποσυναρμολογηθούν πατώντας τα κουμπιά **5** - **2** καθώς πατάτε το κουμπί απελευθέρωσης . **5** - **1**

Συναρμολόγηση πίσω τροχών

Συναρμολογήστε τους πίσω τροχούς στα πίσω πόδια **6**, Σιγουρευτείτε ότι οι ρόδες είναι καλά ασφαλισμένες **7** τυλίξτε το καλάθι γύρω από το πλαίσιο και τον άξονα φρένων και στη συνέχεια κουμπώστε στη θέση του . **8 - 1**.

! Σιγουρευτείτε ότι οι τροχοί είναι τοποθετημένοι σωστά τραβώντας το συγκρότημα τροχών .

Οι πίσω τροχοί μπορούν να αποσυναρμολογηθούν **7 - 2** πατώντας το κουμπί . **7 - 1**

Συναρμολόγηση Μπάρας

Ευθυγραμμίστε την χειρολαβή με τις υποδοχές και εισάγετε μέσα **9**. Για να βγάλετε την μπάρα ,πίεστε το κουμπί απελευθέρωσης της μπάρας **10 - 1** και τραβήξτε την μπάρα . **10 - 2**

Συναρμολόγηση κουκούλας

Για να συναρμολογήσετε την κουκούλα βάλτε τα κλιπ της κουκούλας μέσα στις υποδοχές και μετά επισυνάψτε τα 2 ζευγάρια κουμπιά . **11**

i. Στερεώστε πρώτα τον ιμάντα της κουκούλας με τα κουμπιά. **11 - 1**

ii. Στη συνέχεια στερεώστε το μαλακό κάλυμμα με τον ιμάντα της κουκούλας και τα κουμπιά. **11 - 2**

12 Το πλήρως συναρμολογημένο καρότσι φαίνεται στην εικόνα .

Λειτουργίες καροτσιού

Χρήση κουκούλας

Ανοίξτε το φερμουάρ στη συνέχεια σπρώξτε προς τα εμπρός την κουκούλα για να ανοίξει. **13**

! Πριν ανοίξετε την κουκούλα, ρυθμίστε το στήριγμα πλάτης στην όρθια θέση, εφόσον αυτό είναι βολικό. **14**

! Πιέστε το στήριγμα πλάτης προς τα κάτω πριν ανοίξετε την κουκούλα, αν δεν είναι βολικό να ρυθμίσετε το στήριγμα πλάτης στην όρθια θέση. **15**

Για να κλείσετε την κουκούλα τραβήξτε την κουκούλα προς τα πίσω .

Για να αφαιρέσετε την κουκούλα πιέστε τα δύο κουμπιά **16** , (χρησιμοποιούνται για την προσάρτηση του υφάσματος) τώρα σηκώστε τη κουκούλα . **11**

! Αφού τοποθετηθεί η αφαίρεση της κουκούλας σε τακτική βάση δεν συνιστάται.

Αλλαγή θέσης

Η θέση μπορεί να γυρίσει έτσι ώστε η μαμά να βλέπει το παιδί .

Πιέστε την ασφάλεια απελευθέρωσης του καθίσματος μέχρι να βγει το κάθισμα **17** και μετά γυρίστε την θέση στην άλλη κατεύθυνση και τοποθετήστε . **18**

Ρύθμιση Ανάκλισης

Ανάκλιση Πλάτης

Υπάρχουν 5 θέσεις για την πλάτη.

Για να ρυθμίσετε την πλάτη πατήστε το κουμπί ανάκλισης **19 - 1** και μετά ρυθμίστε την πλάτη στην επιθυμητή γωνία **19 - 2**

Για να σηκώσετε την πλάτη τραβήξτε προς τα πάνω .

! Σιγουρευτείτε ότι η ανάκλιση είναι έχει ρυθμιστεί σωστά για χρήση

Χρήση Ασφάλειας

Ελευθερώστε την ασφάλεια

Πατήστε το κεντρικό κουμπί για να ανοίξει η ασφάλεια . **20**

Κλειδώμα ασφάλειας

Συνδυάστε την ασφάλεια από την ζώνη της μέσης με την ασφάλεια της ζώνης ώμων **21 - 1** και κουμπώστε στην κεντρική ασφάλεια **21 - 2** Όταν ακουστεί ένας ήχος «κλικ» σημαίνει ότι έχει ασφαλίσει καλά **21 - 3**

! Προς αποφυγή τραυματισμών από πέσιμο ή γλίστρημα πάντα να δένετε το παιδί σας με ζώνη

! Σιγουρευτείτε ότι το παιδί σας είναι ασφαλές .Η απόσταση μεταξύ του παιδιού και των ζωνών ώμων πρέπει να έχει απόσταση μία παλάμη

! Μην μπλέκετε τις ζώνες ,καθώς αυτό μπορεί να προκαλέσει πίεση στο παιδί

Χρήση Ζώνη ώμων και ζώνη μέσης

! Για να προστατεύσετε το παιδί σας από πέσιμο όταν το τοποθετήσετε στο καρότσι σιγουρευτείτε ότι η ζώνη των ώμων και η ζώνη της μέσης είναι ρυθμισμένες στο σωστό ύψος.

22 - 1 Πρόσδεση ώμων άγκυρα A

22 - 2 Πρόσδεση ώμων άγκυρα B

22 - 3 Ρυθμιστής

Για μεγαλύτερα παιδιά χρησιμοποιείστε την άγκυρα A και τις υψηλότερες υποδοχές για την ζώνη ώμων .Για μικρότερα παιδιά χρησιμοποιείστε την άγκυρα B και τις χαμηλότερες υποδοχές ώμων .

Χρησιμοποιείστε τις υποδοχές ζωνών και την άγκυρα που είναι πιο κοντά στο ύψος του παιδιού σας .**23 24**

Χρησιμοποιείστε τον ρυθμιστή για να αλλάξετε το μήκος **25 - 1**

Πιέστε το κουμπί **25 - 2**, καθώς πιέζετε τις ζώνες για το σωστό μήκος . **25 - 3**

Χρήση υποδοχών ζώνης

Υπάρχουν 2 θέσεις για την σωστή χρήση της ζώνης .

ΘΕΣΗ 1 Για μικρότερα μωρά **26 - 1**

ΘΕΣΗ 2 Για μεγαλύτερα μωρά **26 - 2**

i.Τραβήξτε τις ζώνες προς τα έξω και τοποθετήστε τις στην σωστή θέση . **27 - 1 & 27 - 2**

ii.Περιστρέψτε την άγκυρα των ζωνών στον καβάλο για να έχετε την κοντή πλευρά προς τα εμπρός, στη συνέχεια, περάστε την μέσα στην υποδοχή της πλεξούδας στον καβάλο **27 - 3 & 27 - 4**

Συναρμολόγηση υποποδίου

Υπάρχουν 2 ανακλινόμενες γωνίες για ρύθμιση .

Ανέβασμα υποποδίου

Για να ανεβάσετε το υποπόδιο σπρώξτε το προς τα πάνω

Για να χαμηλώσετε το υποπόδιο πιέστε το κουμπί ρύθμισης και από τις δύο πλευρές **28 - 1** και περιστρέψτε το υποπόδιο προς τα κάτω **28 - 2**

Χρήση μπροστινής περιστρεφόμενης ασφάλειας

Ανεβάστε προς τα πάνω την ασφάλεια για να διατηρήσετε την κατεύθυνση κίνησης . **29**

Tip

Συνιστάται να χρησιμοποιείτε την περιστρεφόμενη ασφάλεια σε ανώμαλες επιφάνειες .

Χρήση Φρένου

Για να ασφαλίσετε τους τροχούς πιέστε την ασφάλεια προς τα κάτω . 30

Για να ελευθερώσετε τους τροχούς πιέστε προς τα πάνω . 31

Tip Να βάζετε πάντα φρένο όταν το καρότσι είναι σταματημένο.

Ρύθμιση Χειρολαβής

Η χειρολαβή έχει 3 θέσεις

Για να την ρυθμίσετε πιέστε την χειρολαβή προς τα πάνω ή προς τα κάτω 32 - 2 πατώντας συγχρόνως το κουμπί ρύθμισης . 32 - 1

Κλείσιμο καρτσιού

! Παρακαλώ διπλώστε την κουκούλα πριν κλείσετε το καρότσι.

Πιέστε τη λαβή ανάκλισης στο πίσω μέρος της πλάτης για να περιστρέψετε την πλάτη του καθίσματος στην οριζόντια θέση . 33

Θα κλείσει αυτόματα όταν η ασφάλεια κλειδώματος « κλείσει» με το κλιπ ασφαλείας . 34

Χρήση αξεσουάρ

Τα αξεσουάρ μπορεί να πωλούνται ξεχωριστά ή μπορεί να μην είναι διαθέσιμα ανάλογα την περιοχή .

Χρήση με το Joie Κάθισμα αυτοκινήτου

Όταν το χρησιμοποιήσετε με το κάθισμα αυτοκινήτου Joie gemm, iGemm 2, iLevel, i-Snug παρακαλώ ακολουθήστε τις παρακάτω οδηγίες.

1. Για να χρησιμοποιήσετε τους αντάπτορες παρακαλώ να τους τοποθετήσετε μέσα στις υποδοχές όπως φαίνεται στην εικόνα 35 ένας ήχος «κλικ» θα ακουστεί και αυτό σημαίνει ότι οι αντάπτορες έχουν κλειδώσει . 36

2. Για να τοποθετήσετε το κάθισμα βάλτε το στους αντάπτορες όπως φαίνεται στην εικόνα 37 Ένας ήχος «κλικ» θα ακουστεί και αυτό σημαίνει ότι το κάθισμα έχει κλειδώσει σωστά . 38

3. Για να βγάλετε το κάθισμα απλά τραβήξτε προς τα πάνω 39 - 2 πιέζοντας τα κουμπί απελευθέρωσης 39 - 1

! Αν έχετε κάποιο πρόβλημα με το κάθισμα και τους αντάπτορες ανατρέξτε στα δικά τους εγχειρίδια οδηγιών .

! Για να αφαιρέσετε τους αντάπτορες πιέστε προς τα πάνω 40 - 2 πιέζοντας τα δύο κουμπί απελευθέρωσης 40 - 1

! Η Αφαίρεση των αντάπτωρων φαίνονται στην εικόνα . 41

! Παρακαλώ μην κλείνετε το καρότσι όταν υπάρχει πάνω το κάθισμα

Χρήση Chrome πορτ μπεμπέ

Συναρμολόγηση πορτ μπεμπέ

1. Ανοίξτε το σύρμα στήριξης και από τις δύο πλευρές από το πορτ μπεμπέ acin 42 Μετά βάλτε τα στηρίγματα στα τέσσερα πλαστικά . Ένας ήχος «κλικ» θα ακουστεί που σημαίνει ότι έχουν κλειδώσει σωστά . 42 - 1

Τοποθετήστε το στρώμα στο πορτ μπεμπέ 43 και πιέστε ελαφρά . 43 - 1

! Πάντα να χρησιμοποιείτε το στρώμα όταν χρησιμοποιείτε το πορτ μπεμπε .

! Το ύφασμα από το στρώμα μπορεί να αφαιρεθεί εύκολα για να πλυθεί .

2. Ρυθμίστε την κουκούλα του πορτ μπεμπε

Ανοίξτε την κουκούλα και τραβήξτε το μπροστινό άκρο για να ασφαλίσει . 44

Κλείστε την κουκούλα πατώντας τα κουμπί και από τις δύο πλευρές . 44 - 1

3. Συναρμολογήστε την ποδιά του πορτ μπεμπε.

Τοποθετήστε την ποδιά πάνω από το πορτ-μπεμπέ, στη συνέχεια, συνδέστε τα 5 ζεύγη θηλών στα βέλκρο. 45 - 1

45 Το πορτ μπεμπε είναι συναρμολογημένο όπως στην φωτογραφία

Τοποθετήστε το πορτ μπεμπε στο σκελετό

Τοποθετήστε το πορτ μπεμπε ευθεία κάτω μέχρι να ασφαλίσει . 46

! Ένας ήχος «κλικ» που θα ακουστεί σημαίνει ότι το πορτ μπεμπε έχει ασφαλίσει . 47

Πάντα να βγάζετε τους αντάπτορες πριν την χρήση του πορτ μπεμπε

Παρακαλώ μην κλείνετε το καρότσι όταν έχετε το πορτ μπεμπε

Αφαίρεση του πορτ μπεμπε

Πιέστε το κουμπί απελευθέρωσης και από τις δύο πλευρές του πορτ μπεμπε 48 - 1 και μετά ανασηκώστε 48 - 2

Χρήση Ποδόσακου

Ο ζεστός ποδόσακος εξασφαλίζει στο παιδί σας ένα ζεστό περιβάλλον .

Συναρμολογήστε τον ποδόσακο ακολουθώντας τα παρακάτω βήματα .

1. Ρυθμίστε το υποπόδιο σε επίπεδη θέση και την πλάτη σε ξαπλωτή θέση αντίστοιχα πριν τη συναρμολόγηση του ποδόσακου . 49

2. Καλύψτε το υποπόδιο με τον ποδόσακο . 50

Η συναρμολόγηση του ποδόσακου φαίνεται στην φωτό 51

Χρήση Κάλυμμα Βροχής

Για να χρησιμοποιήσετε το αδιάβροχο βάλτε το πάνω από το καρότσι και βάλτε στις υποδοχές τις ασφάλειες . 52

! Πριν χρησιμοποιήσετε το κάλυμμα βεβαιωθείτε ότι θέση είναι σωστά ασφαλισμένη .

! Όταν χρησιμοποιείται το κάλυμμα να ελέγχεται πάντα τον εξαερισμό .

! Όταν δεν το χρησιμοποιείται να το πλύνετε και να το στεγνώσετε καλά πριν το διπλώσετε .

! Μην κλείνετε το καρότσι μαζί με το κάλυμμα .

! Μην βάζετε το παιδί σας στο καρότσι μαζί με το κάλυμμα όταν ο καιρός είναι ζεστός .

! Να χρησιμοποιείτε υπό την επίβλεψη ενήλικα . Μην χρησιμοποιείτε το καρότσι χωρίς την κουκούλα .

Χρήση Υφασμάτων

Βλέπε φωτογραφία 53

Χρήση μαξιλαράκια ώμων και καβάλου

Το μαξιλαράκι ιμάντα ώμου και το μαξιλάρι του καβάλου μπορεί να αφαιρεθούν από το αποθεματικό από την ενισχυτική λωρίδα .

Φροντίδα και Συντήρηση

! Τα υφάσματα μπορούν να πλυθούν και να στεγνωθούν . Μην χρησιμοποιείτε χλωρίνη

! Για να πλύνετε το σκελετό χρησιμοποιείτε ζεστό νερό και σαπούνι . Μην χρησιμοποιείτε χλωρίνη

! Κατά καιρούς να ελέγχετε καρότσι σας για τυχόν χαλαρές βίδες φθαρμένα εξαρτήματα σκισμένα ραφές . Να τα αντικαταστήσει αν χρειάζεται

! Η υπερβολική έκθεση στον ήλιο ή στη θερμότητα θα μπορούσε να προκαλέσει την εξασθένηση ή στρέβλωση των τμημάτων

! Αν το καρότσι βραχεί –ανοίξτε την κουκούλα και αφήστε να στεγνώσει πριν το κλείσετε

! Αν τρίβουν οι τροχοί χρησιμοποιείτε ένα λάδι ή σπρέι λαδιού . Είναι σημαντικό να το έχετε μαζί σας 54

! Όταν χρησιμοποιείτε το καρότσι στην παραλία μετά πρέπει να το καθαρίσετε πολύ καλά έτσι ώστε να μην έχει άμμο και αλάτι

DA Velkommen til Joie™

Tillykke og velkommen til Joie-familien! Vi er så glade for at være en del af din rejse med den lille. Når du bruger din Joie chrome™, bruger du en klapvogn af høj kvalitet, som er fuldt certificeret og godkendt i henhold til de europæiske sikkerhedsstandarder EN 1888-2:2018, og som kan bruges med Joie Chrome babylift, som er godkendt i henhold til EN 1466:2014/AC:2015. Dette produkt er beregnet til børn op til 22 kg eller 4 år, hvad enten der kommer først. Du bedes venligst læse denne vejledning omhyggeligt og følg alle trinene, så du sikrer, at dit barn har det behageligt og er ordentligt beskyttet under turen.

Vigtigt - læs omhyggeligt og gem til senere brug.

Besøg os på joiebaby.com, hvor du kan downloade vejledninger og finde flere spændende produkter fra Joie!

Garantioplysningerne kan findes på vores hjemmeside på joiebaby.com

Indhold

Billede	1-10
ADVARSEL	111
Samling af klapvognen	113
Klapvognen foldes ud	113
Forhjulene sættes på	113
Baghjulene sættes på	113
Kalechen sættes på	113
Armstøtten sættes på	113
Sådan bruges klapvognen	113
Brug hættten	113
Drejeligt sæde	113
Ryglænet justeres	114
Brug af spændet	114
Brug skulder- og taljeselerne	114
Brug af skridtsele	114
Juster lægstøtten	115
Brug af drejelåsen på forhjulet	115
Brug af bremsen	115
Justering af håndtag	115
Fold klapvognen sammen	115
Brug at tilbehør	115
Pleje og vedligeholdelse	117

I tilfælde af en nødsituation

I tilfælde af en nødsituation eller ulykker er det vigtigst, at dit barn straks får førstehjælp og lægebehandling.

Produktinformation

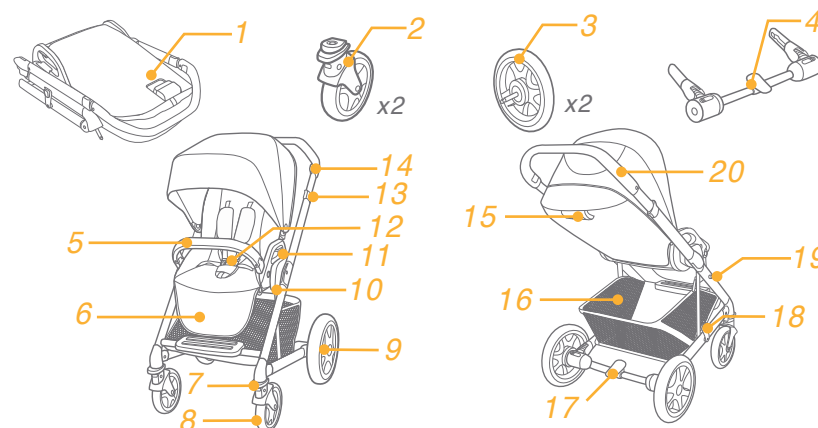
Læs alle instruktionerne i denne vejledning, inden produktet tages i brug. Hvis du har yderligere spørgsmål, bedes du venligst kontakte din forhandler. Nogle funktioner kan variere, afhængig af din model.

Produkt	Chrome klapvogn
Egnet til	Dette produkt er beregnet til børn op til 22 kg eller 4 år, hvad enten der kommer først.
Materialer	Plast, metal, tekstiler
Patentnummer	Produktet er patentanmeldt
Fremstillet i	Kina
Varemærke	Joie
Hjemmeside	www.joiebaby.com
Fabrikant	Allison GmbH

Liste over dele

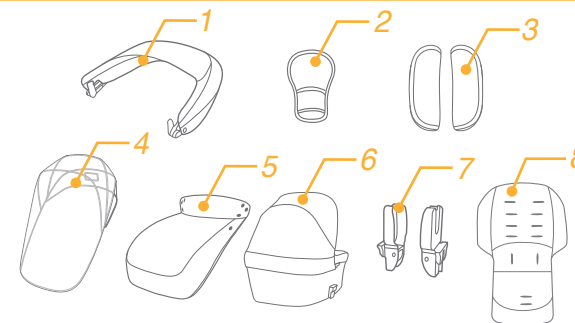
Kontroller, at alle delene følger med, inden du begynder at samle produktet. Hvis der mangler nogen dele, bedes du venligst kontakte din lokale forhandler. Der skal ikke bruges noget værktøj til at samle produktet.

1 Stel	7 Drejelås	12 Spænde	16 Opbevaringskurv
2 Forhjul (x2)	8 Forhjul	13 Foldeknop	17 Bremsstang
3 Baghjul (x2)	9 Baghjul	14 Håndtag til justeringsknop	18 Opbevaringslås
4 Bremse	10 Sæde	15 læne sig tilbage håndtag	19 Låsebeslag
5 Armstøtte	11 Frigørelsesknop til sæde		20 Håndtag



Tilbehør (medfølger ikke)

1 Hættten
2 Skridtbeskytter seletøj
3 Skulder seletøj
4 Regnslag
5 Kørepose forklæde
6 Babylift
7 Adapter
8 Sæde line



ADVARSEL

- ! ADVARSEL Sikre, at alle låseanordninger er låst før brug
- ! ADVARSEL Hold barnet væk fra dette produkt under udfoldning og sammenklapning, for at undgå at barnet kommer til skade
- ! ADVARSEL Lad ikke barnet lege med dette produkt
- ! ADVARSEL Brug altid selen
- ! ADVARSEL Tjek, at barnevognskassens, klapvognssædets eller autostolens fastgørelsesmekanisme er korrekt aktiveret, før brug.
- ! Produktet skal samles af voksne.
- ! Klapvognen må kun bruges til børn under 22 kg.
- ! Hvis barnet vejer mere, kan det beskadige klapvognen.
- ! For at forhindre farlige og ustabile forhold, må der højst lægges 4,5 kg i opbevaringskurven.
- ! ADVARSEL Efterlad aldrig barnet uden opsyn.
- ! Sørg altid for, at barnet er i syne, når det er i klapvognen.
- ! Der må kun være et barn i klapvognen ad gangen.
- ! Der må aldrig hænges punge, indkøbsposer, parceller eller andet tilbehør på håndtaget eller kalechen.
- ! Hvis klapvognen overbelastes, foldes forkert eller bruges med dele fra andre fabrikanter, kan det muligvis beskadige den eller gøre den usikker at bruge.
- ! Du bedes venligst læse denne brugsvejledning omhyggeligt.
- ! Klapvognen må aldrig bruges med dele fra andre fabrikanter.
- ! Læs venligst alle instruktionerne i denne vejledning, inden produktet tages i brug.
- ! Behold denne brugsvejledning til senere reference.
- ! Hvis disse advarsler og instruktioner ikke følges, kan det føre til alvorlige skader eller dødsfald.
- ! Sikkerhedsseler og fastholdelsesanordningerne skal bruges korrekt.
- ! For at undgå alvorlig skade, hvis barnet falder eller glider ud af klapvognen, skal sikkerhedsselen altid bruges.
- ! Når klapvognen justeres, skal du sørge for, at barnet ikke kommer i klemme i de bevægelige dele.
- ! Hvis selen ikke bruges, kan barnet glide ind i selerne til benene, og derved blive kvalt.
- ! Klapvognen må aldrig bruges på en trappe eller rulletrapper.
- ! Klapvognen skal holdes væk fra varme genstande, væsker og elektronik.
- ! Barnet må aldrig stå op i klapvognen eller sidde i klapvognen med hovedet mod klapvognens forende.
- ! Klapvognen må aldrig stilles på veje, skråninger eller andre farlige områder.
- ! Sørg for, at alle mekanismerne er fastgjorte, inden klapvognen tages i brug.
- ! For at undgå kvælning, må du IKKE putte genstande med en snor rundt om barnets hals, hænge snore på dette produkt eller sætte snore fast på legetøj.

- ! For at undgå, at klapvognen vælter, må der IKKE hænges noget på håndtaget.
- ! Klapvognen må IKKE løftes, mens barnet er i den.
- ! Der må ALDRIG være børn i opbevaringskurven.
- ! Børn må aldrig kravle op på klapvognen, da den kan vælte.
- ! Løft altid barnet ind og ud af klapvognen.
- ! For at undgå skade, skal børn holdes væk fra produktet, når det foldes ud og foldes sammen.
- ! Sørg for, at klapvognen er åbnet helt eller foldet helt ud, inden nogen børn kommer i nærheden af den.
- ! Af hensyn til dit barns sikkerhed, skal du sørge for, at alle dele samles og fastgøres ordentligt, inden klapvognen tages i brug.
- ! For at undgå kvælning, skal du sørge for, at barnet ikke lukkes inde i kalechen.
- ! Brug altid bremserne, når klapvognen parkeres.
- ! Hvis klapvognen beskadiges eller ødelægges, må den ikke længere bruges.
- ! Klapvognen må kun bruges i almindelig gågang.
- ! Dette produkt er ikke beregnet til at løbe med.
- ! For at undgå kvælning, skal plastikposen og alle emballagematerialer fjernes, inden produktet tages i brug.
- ! Plastikposen og emballagen skal derefter holdes væk fra babyer og børn.
- ! Dette produkt er ikke beregnet til at løbe eller skøjteløbe med.
- ! På klapvogne, der er beregnet til nyfødte babyer, anbefales det at bruge den mest tilbagelænedede stilling til nyfødte babyer.
- ! Bremsen skal slås til, når barnet lægges i og tages ud af klapvognen.
- ! Babyliften er kun egnet til børn, som ikke kan sidde op uden hjælp, som ikke kan rulle væk og som ikke kan rejse sig på deres hænder og knæ.
- ! Maksimal vægt af barnet: 9 kg.
- ! Barnet må IKKE sove i babyliften i længere tid ad gangen.
- ! Brug IKKE andre madrasser end den, der følger med babyliften.
- ! Barnefastholdelsesanordninger, der sættes i dette stel, må ikke bruges i stedet for en barneseng eller en seng.
- ! Hvis barnet skal sove, skal det lægges i en barnevognskasse, barneseng eller seng.
- ! Lad ikke andre børn lege uden opsyn i nærheden af babyliften.
- ! Sørg for at barnets hoved i babyliften aldrig er lavere end dets krop.
- ! Sørg for at håndtaget er i den korrekte position, inden du løfter babyliften.
- ! Håndtaget og bunden af babyliften bør jævnligt ses efter for tegn på skader og slid.
- ! Brug aldrig tilbehør, dele eller komponenter som ikke er produceret eller godkendt af producent.
- ! Dette produkt er beregnet til børn op til 22 kg eller 4 år, hvad enten der kommer først.

Samling af klapvognen

Læs alle instruktionerne i denne vejledning, inden produktet samles og tages i brug.

Klapvognen foldes ud

Løsn opbevaringslåsen fra låsebeslaget **1**, og løft derefter håndtaget opad **2**. Tryk på knappen på ryggen af ryglænet for at rotere ryglænet i vertikal position. **3**

! Sørg for, at klapvognen er åbnet helt, inden den tages i brug.

Forhjulene sættes på

Sæt forhjulene på forbenene. Kontroller, at hjulene er ordentligt fastgjort ved at trække i dem. **4** Hvis du skal tage forhjulet af, skal du trække det af forbenet **5 - 2** mens du trykker på frigørelsestappen **5 - 1**.

Baghjulene sættes på

Sæt bremsemekanismen på bagbenene **6**, sæt baghjulene på bremsemekanismen. **7** Træk røret bagud og før samlingsrøret for bagbenene sammen med kurvens flig, og lås derefter de tre knapper **8 - 1**.

! Kontroller, at hjulene er ordentligt fastgjort ved at trække i dem.

For at tage baghjulet af igen, skal det trækkes af hjulbeslaget **7 - 1** mens du trykker på frigørelsesknappen. **7 - 2**

Armstøtten sættes på

Sæt armstøttens ender sammen med beslaget og tryk derefter for at låse den fast. **9**

For at tage armstøtten af, skal du trykke på frigørelsesknappen **10 - 1**, og derefter trække armstøtten op. **10 - 2**

Kalechen sættes på

For at samle hættens sættes clipsen til monteringen og derefter påklikkes de 2 knapper. **11**

i. Ebn fxrst for kalecheholderen med knapperne. **11 - 1**

ii. Ebn derefter betrkket med kalecheholderen og knapperne. **11 - 2**

Den komplet samlede klapvogn er vist som. **12**

Sådan bruges klapvognen

Brug hættens

Åbn lynlåsen og skub hættens frem for at åbne hættens. **13**

! Juster eventuelt ryglfnet til opretsteende position fxr kalechen øbnes. **14**

! Tryk pe ryglfnet fxr du øbner kalechen, hvis det ikke er praktisk at justere ryglfnet til opretsteende stilling. **15**
For at folde hættens, træk hættens mod ryg.

For at fjerne hættens løsrives clipsen fra monteringen, mens der trykkes på justeringsenheden. **16**
efterfølgende løsrives de 2 knapper (benyttet til at fastsætte hættens til sædet) Nu løftes hættens af **11**

! Efter montering, er fjernelse af hættens på daglig basis ikke anbefalet.

Drejeligt sæde

Sædet kan drejes, så moderen og barnet kan se hinanden.

Tryk på frigørelsesknapperne, mens du løfter sædet. **17** Drej sædet til den omvendte retning, og indsæt derefter sædet på stellet. **18**

Ryglænet justeres

Ryglænet kan justeres til 5 forskellige vinkler.

For at vippe ryglænet tilbage, skal du trykke på justeringsknappen **19 - 1**, og derefter justere ryglænet til den ønskede vinkel. **19 - 2**

For at hæve ryglænet, skal det blot trykkes opad.

! Sørg for, at ryglænet er justeret korrekt, inden klapvognen tages i brug.

Brug af spændet

Sådan låses spændet op

Tryk på knappen i midten for at låse spændet op. **20**

Sådan låses spændet

Sørg for, at taljeselen passer med skulderspændet, som vist i **21 - 1**, og sæt den derefter i spændet på midten. **21 - 2**

Når du hører en kliklyd, er spændet låst fast. **21 - 3**

! For at undgå alvorlig skade, hvis barnet falder eller glider ud af klapvognen, skal barnet altid spændes fast med sikkerhedsselen. Sørg for at barnet er spændt ordentligt fast.

! Afstanden mellem barnet og skulderselerne skal være ca. den samme som tykkelsen af en hånd.

! Skulderselerne må ikke sættes på tværs over hinanden. Dette kan trykke for meget på barnets nakke.

Brug skulder- og taljeselerne

! For at beskytte dit barn mod at falde ud, skal du sørge for, at skulder- og taljeselerne er i den rigtige højde og har den rigtige længde, når barnet puttes i klapvognen.

22 - 1 Spænde A på skulderselse

22 - 2 Spænde B på skulderselse

22 - 3 Juster spændet

Til større børn skal du bruge spænde A på skulderselen og de øverste huller. Til mindre børn skal du bruge spænde B på skulderselen og de nederste huller. For at justere placeringen af spændet, skal det vendes så det flugter med siden, der vender fremad.

Stik det gennem hullet fra bagsiden og ud til forsiden. **23** Træk det tilbage gennem hullet, der er tættest på barnets skulderhøjde. **24**

Brug spændet til at justere selens længde. **25 - 1**

Tryk på knappen **25 - 2**, samtidig med at du trækker taljeselen til den ønskede længde. **25 - 3**

Brug af skridtsele

Der er 2 positioner for skridtselen i henhold til de forskellige krav.

Position 1 Små babyer skal bruge denne position **26 - 1**

Position 2 Større babyer skal bruge denne position **26 - 2**

- i. Træk skridtselen ud og sæt den i det rigtige niveau. **27 - 1** & **27 - 2**
- ii. Drej skridtseleankeret så den korte side vender fremad, og før den derefter igennem rillen til skridtselen. **27 - 3** & **27 - 4**
- iii. Før den tilbage gennem rillen, der er tættest på barnets skridt fra forsiden af skridtselen. **26**

Juster lægstøtten

Lægstøtten har 2 indstillinger.

Hæv lægstøtten

For at hæve lægstøtten, skal den trykkes opad.

Sænk lægstøtten

Tryk på justeringsknapperne på begge sider af lægstøtten **28 - 1**, og drej derefter lægstøtten nedad. **28 - 2**

Brug af drejelåsen på forhjulet

Tryk drejelåsen på forhjulet opad for at låse hjulets retning. **29**

Tip! Det anbefales at bruge drejelåsen på ujævne overflader.

Brug af bremsen

For at låse hjulene, skal du trykke bremsestangen nedad. **30**

For at låse hjulene op igen, skal bremsestangen løftes opad igen. **31**

Tip! Sørg altid for at bruge bremsen, når klapvognen står stille.

Justering af håndtag

Håndtaget har 3 positioner.

For at justere højden af håndtaget, skal du trække håndtaget opad eller nedad **32 - 2**, mens du trykker på justeringsknappen. **32 - 1**

Fold klapvognen sammen

! Kalechen skal foldes sammen, før klapvognen foldes sammen.

Tryk på tilbagelæns håndtag på bagsiden af ryglænet for horisontal position. **33**

tryk foldepedalen nedad med foden **33 - 1**, og tryk klapvognen fremad så den foldes **33 - 2**

Opbevaringslåsen låser sig automatisk fast på låsebeslaget, så klapvognen er foldet helt sammen og låst. **34**

Brug af tilbehør

Tilbehøret sælges muligvis separat eller er muligvis ikke tilgængeligt i dit område.

Brug med Joie børneautostol

Når den bruges med en Joie børneautostol gemm, iGemm 2, iLevel, i-Snug, gælder følgende anvisninger.

1. For at påsætte adapteren, skal du placere adapteren på stellet, som vist i **35**. En "klik-lyd" betyder, at adapteren er låst fast. **36**
2. For at påsætte børneautostolen, skal du placere børneautostolen på adapteren, som vist i **37**. En "klik-lyd" betyder, at børneautostolen er låst fast. **38**

3. For at fjerne børneautostolen, skal du løfte den opad **39 - 2**, mens du trykker på de to frigørelsesknapper på klapvognen A. **39 - 1**

! Hvis du har nogen problemer ved brugen af klapvognen og adapteren, henvises der til deres brugervejledninger.

! For at fjerne adapteren, skal du løfte den opad **40 - 2**, mens du trykker på de to frigørelsesknapper. **40 - 1**

! Sådan fjernes adapteren. **41**

! Fold ikke klapvognen, når du påsætter børneautostolen.

Brug af Chrome babylift

Samling af babylift

1. Åbn ståltrådsstøtten på begge sider af babyliften **42**, og indsæt derefter ståltrådsstøtten i de fire plastikdele.

En "klik-lyd" betyder, at ståltrådsstøtten er fastgjort. **42 - 1**

Læg madrassen i babyliften **43** og glat den ud. **43 - 1**

! Brug altid madrassen, når du bruger babyliften.

! Madrasbetrækket kan nemt tages af, når det skal vaskes.

2. Justering af babyliftkalechen

Åbn kalechen og træk i forenden for at fastgøre den. **44**

Luk kalechen ved at trykke på foldeknapperne til begge sider. **44 - 1**

3. Påsætning af forhæng på babyliften

Placer forhænget over babyliften, og påsæt derefter de 5 par kroge og burrebånd. **45 - 1**

Den færdigsamlede babylift. **45**

Påsætning af babyliften på rammen

Juster babyliftens sider med adapterne på rammen.

Placer babyliften direkte ned på den, indtil den klikker på plads. **46**

En "klik-lyd" betyder, at babyliften er samlet. **47**

! Fjern altid adapterne, inden du bruger babyliften.

! Fold ikke klapvognen, når du påsætter babyliften.

Fjerne babylift

Tryk på frigørelsesknapperne på begge sider af babyliften **48 - 1**, og løft den derefter opad. **48 - 2**

Brug af køreposen

Den bløde kørepose kan gøre det varmt og behageligt for barnet.

Køreposen samles ved at følge disse trin.

1. Juster ben- og fodstøtten samt ryglæn til niveau position og tilbagelænnende position henholdsvis før monteringen af kørepose. **49**

2. Dæk støtten med køreposen. **50**

Den færdigsamlede kørepose kan ses på billede **51**

Brug af regnslaget

For at samle regnslaget trækkes det hen over klapvognen. **52**

! Inden du bruger regnslaget, skal du kontrollere, at sædet er fastgjort.

! Når du bruger regnslaget, skal du altid sørge for, at der er ordentlig ventilation.

! Hvis regnslaget ikke skal bruges, skal du sørge for, at regnslaget er blevet rengjort og tørret, inden det foldes sammen.

! Klapvognen må ikke foldes sammen, når regnslaget sidder på den.

! Bruges kun i overvågning af en voksen.


Benyt sæde line

se billeder 

Benyt skulder seletøj og skidtbeskytter seletøj.

Skulderseletøjet og skidtbeskytter seletøjet kan fjernes. Følg instrukserne modsat for at adskille skulderseletøj og skidtbeskytterseletøjet.

Pleje og vedligeholdelse

- ! Flytbart sædepude, der kan vaskes i koldt vand og lufttørres.
- ! Brug ikke blegemiddel.
- ! Klapvognens stel må kun rengøres med almindelig sæbe og varmt vand.
- ! Der må ikke bruges blegemidler eller rengøringsmidler.
- ! Kontroller regelmæssigt din klapvogn for løse skruer, slidte dele, revnede materialer eller syninger.
- ! Udsift eller reparer delene efter behov.
- ! Nogle af delene på klapvognen kan falme eller blive skæve, hvis de udsættes for for meget sol eller varme.
- ! Hvis klapvognen bliver våd, skal kalechen åbnes og klapvognen skal tørre ordentligt før opbevaring.
- ! Hvis hjulene knirker, skal du bruge en let olie (f.eks. silicium på spray, rustbeskyttende olie eller symaskineolie).
- ! Det er vigtigt at få olien ind til akslen og hjulsamlingen. 
- ! Hvis din klapvogn bruges på stranden, skal den efterfølgende rengøres helt for sand og salt i mekanismerne og hjulsamlingerne.

إننا في غاية السعادة لاشتراكنا في رحلتك مع طفلك الصغير، أثناء السفر مع عربة Joie chrome فإنك تستخدم عربة أطفال عالية الجودة ومعتمدة بالكامل، كما أنها مطابقة لمعايير السلامة الأوروبية EN 1888-2:2018 حيث يمكن استخدامها مع السرير النقال Joie Chrome المطابق لمعايير EN 1466:2014/AC:2015. ويرجى العلم بأن هذا المنتج مناسب للأطفال الذين يقل وزنهم عن 22 كجم. يُرجى قراءة التعليمات الواردة في هذا الدليل بعناية واتباع كل الخطوات الموضحة لضمان قيادة مريحة وأفضل حماية لطفلك.

هام - يرجى الاحتفاظ بهذه التعليمات للرجوع إليها مستقبلاً.

زوروا موقعنا الإلكتروني علي joiebaby.com لتحميل الأدلة و مشاهدة منتجات Joie المشوقة!

لمعلومات عن الضمان، يُرجى زيارة موقع الويب الخاص بنا علي joiebaby.com

المحتويات

1-10	الأشكال
121	تحذير
122	تركيب عربة الأطفال
122	فتح العربة
122	تركيب العجلات الأمامية
122	تركيب العجلات الخلفية
122	تركيب الغطاء
122	تركيب الذراع
123	تشغيل العربة
123	تبديل وضع المقعد
123	ضبط الانحناء
123	استخدام أيزيم الحزام
123	استخدام أحزمة الكتف والخصر
123	استخدام أحزمة مفرق الساقين
124	ضبط دعامة العجل
124	استخدام القفل الدوار الأمامي
124	ضبط المقبض
124	طيّ العربة
124	استخدام الملحقات
126	العناية والصيانة

الطوارئ

في حالات الطوارئ أو الحوادث، يرجى العناية بلاطفال عن طريق القيام بالإسعافات الأولية وتقديم العلاج الطبي فوراً.

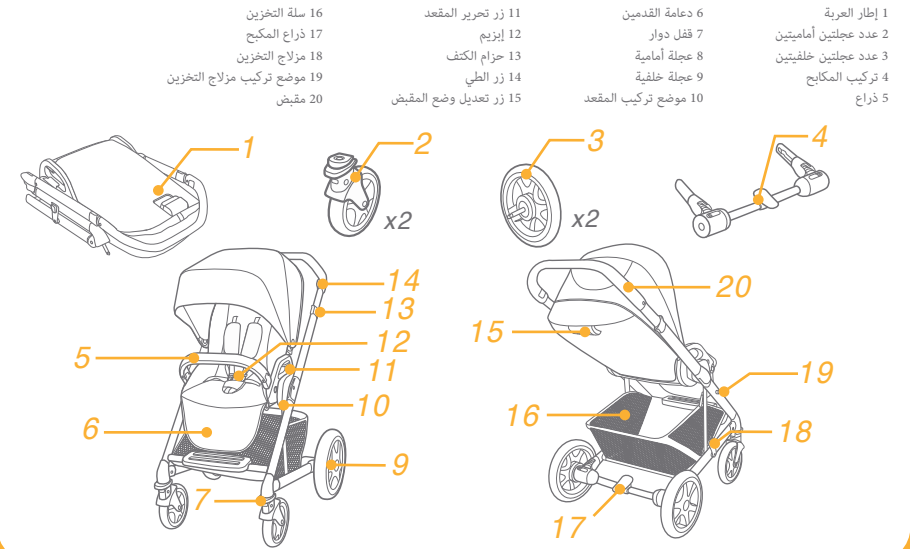
معلومات المنتج

يرجى قراءة كافة التعليمات الواردة في هذا الدليل قبل استخدام المنتج، وفي حال وجود استفسارات أخرى، يرجى الرجوع إلى الموزع للاستشارة. قد تختلف بعض مزايا المنتج وفقاً للطراز.

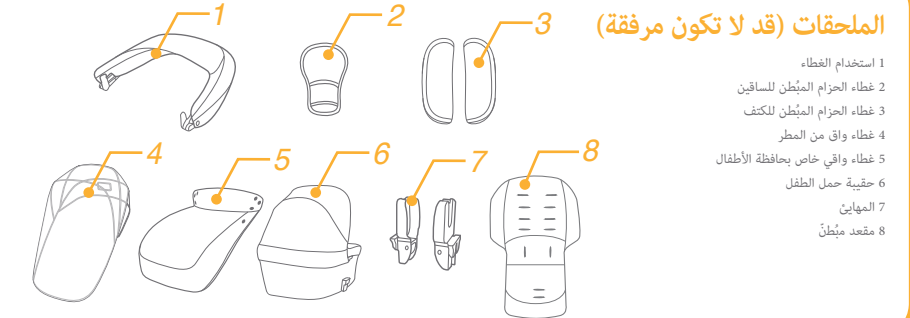
المنتجات المناسبة للاستخدام مع الخامات المستخدمة	العربات التي تحمل علامة Chrome
رقم براءة الاختراع	هذا المنتج مناسب للاستخدام مع أطفال حتى 22 كجم أو 4 سنوات، أيهما يأتي أولاً.
صنع في	الصين
اسم العلامة التجارية	Joie
الموقع الإلكتروني	www.joiebaby.com
الجهة المصنعة	Allison GmbH

قائمة الأجزاء

يرجى التأكد من توافر كافة الأجزاء قبل القيام بالتركيب. في حالة فقد أحد مكونات العربة، يرجى الاتصال بلاموزع المحلي. لا يلزم استخدام أية أدوات لتركيب العربة.



الملحقات (قد لا تكون مرفقة)



! يجب استخدام العربة بسرعة المشي فقط. هذا المنتج غير مُصمم للاستخدام أثناء الركض.

! لتفادي الاختناق، احرص على إزالة الكيس البلاستيكي ومواد التعبئة قبل استخدام المنتج. يرجى الاحتفاظ بالكيس البلاستيكي ومواد التعبئة بعيداً عن متناول الأطفال والرضع.

! هذا المنتج غير مناسب للاستخدام أثناء الجري أو التزلج.

! تجنب وضع الطعام الساخن على الطاولة لتفادي إصابة الطفل بحروق.

! تجنب وضع أي أجسام على الطاولة قد تتسبب في إيذاء الطفل.

! صُممت عربة الأطفال لاستخدامها منذ لحظة الولادة، ويفضل استخدام وضعية الانحناء المُصممة خصيصاً للأطفال حديثي الولادة.

! لا تستبدل هذه العربة بسرير الطفل أو الفراش وذلك في مقاعد السيارات المقترنة بهيكل السيارة. وعند النوم يجب وضع الطفل في عربة أو سرير أو تغطيته بفراش مناسب.

! يجب تأمين المكابح عند وضع الطفل في العربة وإخراجه منها.

! لا تستخدم مطلقاً ملحقاً أو أجزاء أو مكونات لم يتم إنتاجها أو اعتمادها من قبل الجهة المُصنعة.

! هذا المنتج مناسب للاستخدام مع أطفال حتى 22 كجم أو 4 سنوات، أيهما يأتي أولاً.

تركيب عربة الأطفال

الرجاء قراءة كافة التعليمات الواردة في هذا الدليل قبل تركيب المنتج واستخدامه.

فتح عربة

قم بفصل مزلاج التخزين عن منطقة التخزين **1**، ثم قم برفع المقبض لأعلى **2** لحين سماع صوت يؤكد أن العربة قد فتحت بالكامل، وحرك مسند الظهر للوضع الأفقي.

اضغط على مقبض الإمالة الموجود خلف مسند الظهر لتحريك المسند إلى الوضع الرأسي. **3**

! تحقق من فتح العربة بالكامل قبل المتابعة.

تركيب العجلات الأمامية

قم بتركيب العجلات الأمامية في الأرجل الأمامية. تحقق من إحكام ربط العجلات عن طريق سحب أجزائها. **4**

في حالة الرغبة في فك العجلات الأمامية، قم بفصل العجلات الأمامية عن الأرجل الأمامية **2** - **5** وذلك مع الضغط على زر تحريرها. **1** - **5**

تركيب العجلات الخلفية

بالأرجل الخلفية **6**، ثم قم بتوصيل العجلات الخلفية بلامكايح **7**. اجذب أنبوب السلة نحو الخلف ثم قم بتدوير أنبوب الوصل الملحق بالأرجل الخلفية مع لسان سلة التخزين ثم انقر الأزرار الثلاثة **1** - **8**.
قم بتركيب مجموعة المكابح

! تحقق من إحكام ربط العجلات عن طريق سحب أجزائها.

في حالة الرغبة في فك العجلات الخلفية، قم بفصل العجلات الخلفية عن الأرجل الخلفية **2** - **7** وذلك مع الضغط على زر تحريرها. **1** - **7**

تركيب الذراع

قم بمحاذاة أطراف الذراع مع مواضع تركيب الذراع ثم أدخله في المكان المخصص لإحكام الإغلاق. **9**

لفك الذراع، اضغط على زر التحرير الخاص به **1** - **10**، ثم اجذب الذراع نحو الخارج. **2** - **10**

تركيب الغطاء

لتركيب الغطاء أدخل المشايك في حامل التثبيت، ثم أضق زوجي الأزرار ببعضهما بعض. **11**

أ. قم بتثبيت شريط الغطاء باستخدام زر الإمالة أولاً. **1** - **11**

ب. قم بتثبيت قطعة القماش الناعم بشريط الغطاء والأزرار. **2** - **11**

تم توضيح تعليمات تركيب العربة بالكامل في الشكل **12**

تحذير

! تحذير احرص دائماً على استخدام أحزمة السائقين مع حزام الخصر. كما يُنصح باستخدام أحزمة الكتف أيضاً.

! تحذير تأكد من تأمين الأقفال كافة قبل الاستخدام.

! تحذير تأكد من إبعاد طفلك عند بسط العربة أو طيها لتجنب إلحاق أي إصابة به.

! تحذير تجنب لعب الطفل بهذا المنتج.

! تحذير تحقق من تأمين هيكل العربة أو مرفقات وحدة المقعد أو مقعد السيارة وأنها مثبتة بشكل صحيح قبل الاستخدام

! يجب تركيبها بواسطة شخص بالغ.

! استخدم عربة الأطفال هذه مع الأطفال الذين يقل وزنهم عن 22 كجم. حيث إن استخدام العربة لحمل طفل زائد الوزن سيؤدي إلى تلفها.

! لتفادي الحالات الخطرة أو غير المستقرة، تجنب وضع عناصر يزيد وزنها على 4.5 كجم في سلة التخزين.

! تحذير يحظر بتاتاً ترك طفلك دون مراقبة. احرص دائماً على مراقبة الطفل عند وضعه في العربة.

! استخدم العربة لحمل طفل واحد فقط في كل مرة. يحظر وضع حقائب يد أو حقائب تسوق أو طرود أو إكسسوارات على المقبض أو الغطاء.

! قد يتسبب الحمل الزائد أو محاولة طي العربة بطريقة غير صحيحة أو استخدام قطع غيار من إنتاج مُصنّعين آخرين في تلف العربة أو كسرها أو جعلها غير آمنة للاستخدام. يرجى الاطلاع على دليل التعليمات بعناية.

! لا تستخدمه مع أجزاء من إنتاج مُصنّعين آخرين.

! الرجاء قراءة كافة التعليمات الواردة في هذا الدليل قبل استخدام المنتج. برجاء الاحتفاظ بهذا الدليل لاستخدامه في المستقبل. قد يؤدي عدم مراعاة هذه التحذيرات واتباع التعليمات إلى وقوع إصابات بالغة أو الوفاة.

! يجب استخدام أحزمة الأمان ونظام تقييد الحركة استخداماً صحيحاً.

! احرص على استخدام حزام الأمان دائماً لتفادي وقوع الإصابات البالغة الناتجة عن الوقوع أو الانزلاق.

! تأكد من ابتعاد جسد طفلك عن الأجزاء المتحركة عند ضبط العربة.

! في حالة عدم استخدام الحزام قد ينزلق الطفل إلى فتحات الساق ومن ثم يتسبب ذلك في اختناقه.

! يُحظر استخدام عربة الأطفال على السلاسل أو السلاسل الكهربائية.

! احرص على إبعاد العربة عن مصادر الحرارة المرتفعة أو السوائل أو الأجهزة الإلكترونية.

! يُحظر وقوف الطفل على العربة أو جلوسه بداخلها عندما تكون رأسه متجه ناحية المقدمة.

! يحظر وضع عربة الأطفال على الطرق أو المنحدرات أو المناطق الخطرة.

! تأكد من أن كافة الأجزاء تم تثبيتها بشكل صحيح قبل استخدام العربة.

! لتفادي الاختناق، تجنب وضع أي أجسام مزودة بسلاسل حول رقبة الطفل أو قم بفصل السلاسل عن المنتج أو ربطها في الألعاب.

! للحيلولة دون ميل العربة، تجنب وضع أي أجسام على المقبض.

! تجنب رفع العربة إذا كان الطفل بداخلها.

! تجنب وضع الطفل داخل سلة التخزين.

! لتجنب ميل العربة، يحظر تسليق الطفل العربة. ارفع طفلك داخل العربة أو خارجها دائماً.

! لتجنب انحسار الأصابع، احرص على طي العربة أو بسطها بعناية.

! تأكد من فتح العربة أو طيها بالكامل قبل السماح للطفل بالاقتراب منها.

! لضمان سلامة طفلك، يرجى التأكد من تركيب كافة المكونات وإحكام ربطها جيداً قبل استخدام العربة.

! لتجنب اختناق طفلك، تأكد من إبعاده عن الغطاء.

! احرص على تأمين المكابح عند وقوف العربة.

! احرص على عدم استخدام العربة في حال تعرضها للتلف أو الكسر.

استخدام أحزمة مفرك الساقين

توجد وضعيتان للأحزمة المستخدمة في تفريق ساقَي الطفل لذا يتم ضبط تلك الأحزمة حسب الرغبة.

الوضع الأول الوضع الملائم للأطفال الأصغر حجماً 1 - 26

الوضع الثاني الوضع الملائم للأطفال الأكبر حجماً 2 - 26

1 اجذب الحزام المفرك للساقين نحو الخارج واستخدمه في وضع مستوي. 2- 27 & 1- 27

2 يرجي تدوير مثبت حزام مفرك الساقين بحيث يكون الجانب القصير متجهاً للأمام، ثم مرره عبر فتحة حزام مفرك الساقين. 4- 27 & 3 - 27

3 أعد تمريره عبر الفتحة الأقرب إلى ساق الطفل من الجهة الأمامية لمفرك الساقين. 26

ضبط دعامة العجل

توجد وضعيتان لدعامة القدمين.

رفع دعامة القدمين

لرفع دعامة القدمين، فقط ادفعها لأعلى.

خفض دعامة القدمين

لخفض دعامة القدمين، قم بلاضغط على أزرار الضبط الموجودة على كلا الجانبين 1 - 28، ثم قم بتدوير الدعامة نحو الأسفل. 2- 28

استخدام القفل الدوار الأمامي

اسحب الأقفال الدوارة الأمامية للحفاظ على اتجاه الحركة. 29

نصيحة

يوصى باستخدام الأقفال الدوارة مع الأسطح غير المستوية.

استخدام المكابح

لإيقاف حركة العجلات، اضغط على لسان المكبح نحو الأسفل. 30

لتحرير حركة العجلات، فقط ارفع لسان المكبح. 31

نصيحة

استخدم المكابح دائماً عندما تكون العربة في وضع التوقف.

ضبط المقبض

توجد 3 وضعيات لضبط المقبض.

لضبط وضعية وارتفاع المقبض، اجذب المقبض نحو الأعلى أو نحو الأسفل2- 32 مع الضغط على زر تعديل وضعية المقبض. 1 - 33

طَيّ العربة

! يرجى طَيّ الغطاء قبل طَيّ العربة.

اضغط على مقبض الإمالة الموجود خلف مسند الظهر لتحريك مسند الظهر للوضع الأفقي. 33

حرك زر الطيِّ بلاضغط على دواسة الطي نحو الأسفل ، ادفع العربة نحو الأمام لإكمال عملية الطي 33

هنا سيتعلق مزلاج التخزين بصورة أوتوماتيكية بمزلاج التثبيت، ثم تطوى العربة بالكامل ويحُكم إغلاقها. 34

الملحقات

قد يتم بيع الملحقات فردياً أو قد لا تكون متاحة وفقاً للمنطقة.

تشغيل العربة

استخدام الغطاء

افتح السحاب أولاً، ثم أدفع الغطاء إلى الأمام لفتحته. 13

! يُرْجى ضبط مسند الظهر إلى الوضع القائم قبل فتح الغطاء، إذا كان ذلك مريحاً. 14

! يُرْجى الضغط على مسند الظهر قبل فتح الغطاء إذا لم يكن ذلك مريحاً لضبط مسند الظهر على الوضع القائم. 15
اسحب الغطاء للخلف لطيه.

لإزالة الغطاء أخلع المشابك من حامل التثبيت مع الضغط على مقبض التثبيت 16 وأفضل زوجي الأزرار (المستخدمين في ربط الغطاء بلامقعد)، ثم أرفع الغطاء بسهولة. 11

تبديل وضع المقعد

يمكن تغيير وضع المقعد لتمكين الأم من رؤية وجه طفلها أثناء القيادة.

اضغط على أزرار تحرير المقعد أثناء رفع المقعد، 17 وقم بلف المقعد للاتجاه المعاكس، ثم قم بتثبيت المقعد في مواضع تركيبه. 18

ضبط الانحناء

تتوفر لمسند الظهر 5 زوايا.

لإمالة مسند الظهر، قم بلاضغط على زر الضبط 1 - 19 ثم قم بضبط مسند الظهر عند الزاوية المفضلة. 2- 19

لرفع مسند الظهر، اسحبه لأعلى.

! تأكد من أن وضع الإمالة صالح لجلوس الطفل.

استخدام أبزيم الحزام

تحرير الأبزيم

اضغط على.الزر الموجود بمنطقة الوسط لتحرير الأبزيم. 20

غلق الأبزيم

قم بتوصيل أبزيم حزام الخصر مع أبزيم الكتف 1 - 21، ثم اضغط على أبزيم الوسط. 2- 21 عند سماع صوت "طقطقة" فهذا يشير إلى غلق الإبزيم بالكامل. 3 - 19

! لتفادي وقوع الإصابات البالغة الناجمة عن الوقوع أو الانزلاق، احرص دائماً على تأمين طفلك باستخدام الحزام.

! تأكد من تثبيت طفلك بإحكام، والمسافة بين الطفل وحزام الكتف تساوي سُمك يد واحدة تقريباً.

! تجنّب عكس أحزمة الكتف. حيث سيؤدي هذا إلى الضغط على رقبة الطفل.

استخدام أحزمة الكتف والخصر

! لحماية طفلك من السقوط، تحقّق من مناسبة طول اارتفاع أحزمة الكتف والخصر بعد وضع الطفل على المقعد.

مثبت حزام الكتف من النوع أ 1 - 22

مثبت حزام الكتف من النوع ب 2 - 22

ضابط الانزلاق 3 - 22

استخدم مثبت حزام الكتف من النوع أ والفتحات العلوية للحزام مع الأطفال ذوي الحجم الكبير. استخدم مثبت حزام الكتف من النوع ب والفتحات السفلية للحزام مع الأطفال ذوي الحجم الصغير.

لضبط وضع مثبت حزام الكتف، قم بإدارة المثبت ليكون في نفس مستوى الجانب القصير المتجه للأمام. أدخل الحزام في فتحة حزام الكتف من الخلف للأمام 23 .

وأعد إدخاله من الفتحة الأقرب لمستوى ارتفاع كتف الطفل. 24

استخدم ضابط الانزلاق لتغيير طول الحزام. 1 - 25

اضغط على الزر 2 - 25 مع سحب حزام الخصر ليصل إلى الطول المناسب 3 - 25 .

! يرجى عدم طي العربة بعد تركيب الغطاء الواقي من المطر.

! تجنب وضع الطفل في عربة الأطفال المثبت بها الغطاء الواقي من المطر في حالة الطقس الحار.

! يلزم استخدامه تحت إشراف البالغين، كما يحظر استخدامه على عربة الأطفال دون تركيب مظلة.

استخدام المقعد المبتن

رؤية الصور 51

استخدم أغطية الأحزمة المبطنة للكثف والساقين.

يمكن فصل أغطية الأحزمة المبطنة للكثف والساقين عن شريط الحزام.

قم بإجراء الخطوات السابقة بطريقة عكسية لفك أغطية الأحزمة المبطنة للكثف والساقين.

العناية والصيانة

! يمكن غسل وسادة المقعد القابلة للإزالة بإماء البارد ثم تركها لتجف. يحظر استخدام المبيض.

! لتنظيف إطار العربة، استخدم الصابون المنزلي والماء الدافئ فقط. يحظر استخدام أية منظفات أو مبيضات.

! من وقت لآخر، تحقق من عدم وجود أجزاء تالفة أو أقمشة ممزقة أو براغي مفكوكة أو غرز خياطة. استبدل الأجزاء أو أصلحها عند الحاجة.

! قد يتسبب التعرض المفرط لأشعة الشمس أو الحرارة في تلف أجزاء العربة أو تشويهها.

! في حالة بلل عربة الأطفال، افتح الغطاء واتركها لتجف جيداً قبل تخزينها.

! في حال صرير العجلات، استخدم زيتاً خفيفاً (مثل بخاخ السيليكون أو زيت منع الصدأ أو بخاخ التلميع المنزلي أو زيت ماكينة الخياطة)، يوصى بوضع الزيت داخل تركيبات العجلات المحور. 51

! عند استخدام عربة الأطفال على الشاطئ، احرص على تنظيف تركيبات العجل والمعدات من الرمال والملح جيداً بعد الاستخدام.

استخدام الملحقات مع مقعد السيارة من Joie

عند استخدام الملحقات مع مقعد سيارة من طراز Snuz i-Level, iGemm 2, Joie gemm, يرجى اتباع التعليمات التالية:

1 لتثبيت المهائن، قم بوضع المهائن على مواضع التركيب كما هو موضح بالرسم 35 ، ويعني صدور صوت "طققة" أن المهائن قد أحكم إغلاقه. 36

2 بلائسبة لمقعد السيارة، قم بوضع مقعد السيارة على مهائن كما هو موضح بالرسم 37 ، ويعني صدور صوت "طققة" أن مقعد السيارة قد تم إغلاقه بالكامل. 38

3 لفك مقعد السيارة، قم بتحريك المقعد نحو الأعلى 2 - 39 مع الضغط على زرّي تحرير المقعد 1 - 39

! يُرجى الرجوع إلى دليل التعليمات عند مواجهة أية مشكلات متعلقة باستخدام عربة الأطفال أو باستخدام المهائن.

! لفك المهائن، قم بتحريكه نحو الأعلى 2 - 40 مع الضغط على زرّي التحرير. 1 - 40

! قم بإزالة المهائن على النحو الموضح. 41

! يرجى عدم طي العربة عند التركيب بمقعد السيارة.

استخدام حقيبة Chrome حمل الطفل

تركيب حقيبة حمل الطفل

1 قم بفتح السلك الداعم بحقيبة حمل الطفل من كلا الجانبين 42 ، ثم قم بلاضغظ على الجزء السلكي الموجود بأربعة جوانب بلاستيكية، ويعني صدور صوت "طققة" أن الداعم

السلكي آمن. 1 - 42

ضع المرتبة داخل حقيبة حمل الطفل 43 بطريقة مرتبة. 1 - 43

! استخدم المرتبة باستمرار عند استعمال حقيبة حمل الطفل.

! يمكن إزالة غطاء المرتبة بسهولة لغسله.

2 ضبط وضع غطاء حقيبة حمل الطفل

افتح الغطاء واجذب الطرف الأمامي لتأمين الطفل. 44

قم بإغلاق الغطاء عن طريق الضغط على زر الطي الموجود على كلا الجانبين. 1 - 44

3 تركيب غطاء حقيبة حمل الطفل

ضع الغطاء الواقي فوق حقيبة حمل الطفل ثم قم بتثبيت أزواج المشابك الخطافية الخمسة. 1 - 45

يتم تركيب حقيبة حمل الطفل بالكامل على النحو الموضّح. 45

ثبت حقيبة حمل الطفل في الهيكل

قم بمحاذاة جوانب حقيبة حمل الطفل مع المهائنات المثبتة على الإطار.

ثم ضع حقيبة حمل الطفل داخل المكان المخصص له حتى يستقر في مكانه. 46

حيث يدل صوت الطققة على أن حقيبة حمل الطفل قد تم تركيبها بشكل كامل. 47

! قم بإزالة المهائنات باستمرار قبل استعمال حقيبة حمل الطفل.

! يرجى عدم طي العربة عند تركيب حقيبة حمل الطفل.

فك حقيبة حمل الطفل

اضغط على أزرار التحرير الموجودة على جانبي حقيبة حمل الطفل 1 - 48 ، ثم قم بتحريكها نحو الأعلى. 2 - 48

استخدام حقيبة تدفئة الطفل

توفر حقيبة تدفئة الأطفال النوم الهادئ لطفلك وأجواء مريحة ودافئة.

قم بتركيب حقيبة تدفئة الأطفال من خلال اتباع الخطوات التالية.

1. اضبط مسند الساقين ومسند الظهر على وضع مستوي أولاً ثم على وضع الانحناء قبل تركيب غطاء الحماية الخاص بحفاظة الأطفال. 49

2. قم بتغطية مسند الساقين بغطاء الحماية الخاص بإلحافظة. 50

تم توضيح حقيبة تدفئة الطفل في الشكل 51

استخدام الغطاء الواقي من المطر

لتركيب الغطاء الواقي من المطر، ضعه على العربة ثم قم بتركيبه على مسند الذراع بواسطة أربعة أزواج من المشابك الخطافية. 52

! قبل استخدام الغطاء الواقي من المطر، لايد من التأكد من أن المقعد قد تم تثبيته جيداً.

! عند استخدام الغطاء، يرجى التأكد من التهوية بصورة مستمرة.

! في حالة عدم استخدام الغطاء، تأكد من تنظيفه وتجفيفه قبل طيه.

Gratulálunk, hogy Ön is a Joie család tagja lett! Nagyon örülünk, hogy részesei lehetünk a kisgyereke életútjának. mikor a Joie chrome™-al utazik, Ön egy kitűnő minőségű, teljes mértékben jóváhagyott gyerekkocsit használ, amely megfelel az EN 1888-2:2018 szabványnak és együtt használható a Joie Chrome hordozó kosárral amely megfelel az EN 1466:2014/AC:2015 szabványnak. A gyerekkágy 22kg-os vagy 4 éves gyerekeknek megfelelő, amelyik hamarabb bekövetkezik. Kérjük figyelmesen olvassa el ezt a kézikönyvet és kövesse a lépéseket, hogy kényelmes utazást és a legjobb védelmet biztosítsa a gyermekének.

FONTOSS - OLVASSA EL FIGYELMESEN ÉS TARTSA MEG A KÉSŐBBIEKRE.

A kézikönyvek letöltéséhez látogasson el a joiebaby.com címre, itt láthat további érdekes Joie termékeket!

Tartalom

Ábra	1-10
FIGYELEM	129
Babakocsi összerakása	131
Nyissa ki a gyerekkocsit	131
Rakja össze az első kerekeket	131
Rakja össze a hátulsó kerekeket	131
Rögzítse a karfát	131
Rakja össze a fedelet	131
Babakocsi kezelése	131
Fedél használata	131
Ülés cseréje	132
Állítsa a döntést	132
Használja a csatot	132
Használjon váll és csípőhámszíjat	132
Használjon lábak közötti hámszíjat	132
Lábtartó állítása	133
Első elfordító zár használata	133
Fék használata	133
Fogantyú állítása	133
Babakocsi összehajtása	133
Tartozékok használata	133
Kezelés és karbantartás	135

Sürgősség

Sürgősség vagy baleset esetén a legfontosabb, hogy a gyerekeknek viselje gondját azonnali elsősegéllyel vagy orvosi kezeléssel.

Termékinformáció

A termék használata előtt olvassa el az útmutatóban lévő összes utasítást. Amennyiben további kérdései vannak, tanácskozzon közvetlenül a forgalmazóval. Egyes funkciók modellfüggőek.

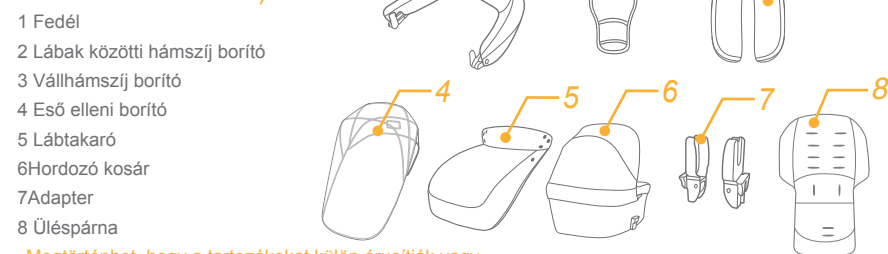
Termék	Króm gyerekkocsi
Megfelelő	A gyerekkágy 22kg-os vagy 4 éves gyerekeknek megfelelő, amelyik hamarabb bekövetkezik.
Anyag	Műanyag, fém, szövet
Szabványszám	Szabvány fenntartott
Készült	Kínában
Márkanév	Joie
Weboldal	www.joiebaby.com
Gyártó	Allison GmbH

Alkatrészek listája

Győződjön meg, hogy minden alkatrész rendelkezésre áll, mielőtt nekilát az összeszerelésnek. Amennyiben valamelyik alkatrész hiányzik, kérjük vegye fel a kapcsolatot a helyi kereskedővel. Az összeszereléshez nincs szükség semmilyen szerszámmra.



Tartozékok (lehet hogy nincsenek mellékelve)



Megtörténhet, hogy a tartozékokat külön árusítják vagy nem elérhetők régiótól függően.

FIGYELMEZTETÉS

- ! FIGYELEM Mindig használja az ülésrendszert. Ajánlott a vállhámszíj használata is.
- ! FIGYELEM Használat előtt győződjön meg, hogy minden záró eszköz be van kapcsolva.
- ! FIGYELEM Ne engedje a gyereket játszani ezzel a termékkel.
- ! FIGYELEM Használat előtt ellenőrizze, hogy a gyerekkocsi szerkezete és az ülés vagy autós gyerekülés tartozék eszközei helyesen vannak összeszerelve.
- ! Az összeszerelést felnőtt személynek kell elvégeznie.
- ! Olyan gyerekkel használja a gyerekkocsit, akinek a súlya 22 kg-nál kevesebb. A nem beleváló gyerek kárt okozhat a gyerekkocsiban.
- ! Hogy megelőzzön egy veszélyes, instabil helyzetet, ne tegyen 4,5 kg-nál nagyobb súlyt a tároló kosárba.
- ! FIGYELEM Soha ne hagyja felügyelet nélkül a gyereket. Mindig tartsa szem előtt a gyereket amíg a gyerekkocsiban van.
- ! A gyerekkocsit egyszerre csak egy gyerekkel használja. Soha ne tegyen táskát, vásárlótáskát, csomagokat vagy más tartozék elemeket a fogantyúra vagy fedélre.
- ! A kocsi túlterhelése, helytelen összecsukása vagy más gyártó alkatrészének használata károsíthatja a gyerekkocsit, eltörheti vagy bizonytalaná téheti ezt. Kérjük olvassa el a kezelési útmutatót figyelmesen.
- ! Soha ne használja más gyártótól származó alkatrészekkel.
- ! Kérjük olvasson el minden útmutatót a kézikönyvben mielőtt használná a terméket. Kérjük tegye el a kezelési kézikönyvet a jövőbeni felhasználásra. Amennyiben figyelmen kívül hagyja a figyelmeztetéseket és útmutatásokat, ez komoly sérülést vagy halált okozhat.
- ! A biztonsági öveket és rögzítő rendszereket helyesen kell használni.
- ! A kiesés vagy kicsúszás miatt bekövetkező komoly sérülések megelőzése érdekében mindig használja a biztonsági övet.
- ! Győződjön meg, hogy a gyerek teste nem akad be a mozgó alkatrészekbe amikor a gyerekkocsit állítja.
- ! Ha nem használja a hámszíjakat, a gyerek becsúszhat a lábnyílásokba és becsípheti a kocsi.
- ! Soha ne használjon gyerekkocsit lépcsőkön vagy mozgólépcsőkön.
- ! Tartsa távol magas hőmérsékletű tárgyaktól, folyadékoktól és elektronikától.
- ! Soha ne engedje a gyerekeknek hogy felálljon a gyerekkocsira vagy úgy üljön a gyerekkocsiba hogy a feje a kocsi eleje felé legyen.
- ! Soha ne hagyja a gyerekkocsit az úton, lejtőkön vagy veszélyes zónákban.
- ! Győződjön meg, hogy minden mechanizmus rögzítve van, mielőtt a gyerekkocsit használná.
- ! Az esetleges fulladások megelőzése érdekében ne tegyen zsinórral ellátott tárgyakat a gyermek nyaka köré, ne függessen fel zsinórokat a gyerekágyra, és ne kössön zsinórokat a játékokra.
- ! Ahhoz hogy megelőzze a feldőlést, ne tegyen semmit a fogantyúra.

- ! NE emelje fel a gyerekkocsit amíg a gyerek a kocsiban van.
- ! NE használja a tároló kosarat gyerekhordozónak.
- ! Ahhoz, hogy megelőzze a feldőlést, soha ne hagyja a gyereket felmászni a gyerekkocsira. Mindig emelje be és ki a gyereket a gyerekkocsiból.
- ! FIGYELEM A sérülések elkerülése érdekében bizonyosodjon meg, hogy a gyerek távol van tartva amikor összehajítja vagy kinyitja a terméket.
- ! Győződjön meg, hogy a gyerekkocsi teljesen ki van nyitva, vagy össze van csukva mielőtt a gyereket a gyerekkocsi közelébe engedi.
- ! A gyerek biztonságának érdekében kérjük győződjön meg, hogy minden alkatrész össze van szerelve és megfelelően meg van húzva mielőtt a gyerekkocsit használja.
- ! Ahhoz, hogy megelőzze a fulladást, győződjön meg hogy a gyerek távol van a fedéltől.
- ! Mindig használja a fékeket amikor leparkolja a gyerekkocsit.
- ! Ne használja tovább a gyerekkocsit ha sérült vagy törött.
- ! A gyerekkocsit csak lépésben használja. Ez a termék nem kocogásra készült.
- ! A fulladás elkerülése érdekében távolítsa el a műanyag zsákokat és a csomagolóanyagokat mielőtt használná a terméket. A műanyag zsák és a csomagolóanyagot tartsa távol csecsemőktől és gyerekektől.
- ! Ez a termék nem megfelelő kocogásra vagy görkorcsolyázásra.
- ! A születéstől használható gyerekkocsikat ajánlott a legjobban megdöntött helyzetben használni újszülött gyerekeknél.
- ! A parkoló eszközt kapcsolja be amikor behelyezi és kiveszi a gyereket.
- ! A hordozó kosár csak olyan gyerek számára megfelelő aki nem tud segítség nélkül ülni, átfordulni és nem tudja magát felnyomni térdre és könyökre. A gyerek maximális súlya: 9kg.
- ! Ne hagyjon más gyerekeket felügyelet nélkül a hordozó kosár mellett játszani.
- ! A hordozó kosár NEM használható hosszú alváásra.
- ! NE használjon vagy ne adjon hozzá semmilyen matracot, mást mint amit a hordozó kosárral szállítottak.
- ! Az alvással együtt használt gyerekrögzítés esetén ez a jármű nem helyettesíti a kosarat vagy ágyat. Amennyiben a gyerekeknek alváásra van szüksége, egy megfelelő kocsiba, kosárba vagy ágyba kell helyeznie.
- ! Kérjük győződjön meg, hogy a gyerek feje a hordozó kosárban soha nincs lennebb mint a gyerek teste.
- ! Kérjük győződjön meg, hogy a fogantyú a helyes használati helyzetben van mielőtt felemelné vagy hordozná.
- ! A hordozó kosár fogantyúit és alját időszakosan vizsgálja meg látható sérülések és kopások miatt.
- ! Bármilyen teher amit a fogantyúra, a háttámlára és/vagy a jármű oldalára helyez, a jármű stabilitását befolyásolhatja.
- ! Soha ne használjon olyan tartozékokat, alkatrészeket vagy részeket amelyeket nem a gyártó készített vagy engedélyezett.
- ! A gyerekágy 22kg-os vagy 4 éves gyerekeknek megfelelő, amelyik hamarabb bekövetkezik.

Babakocsi összerakása

A termék használata és összeszerelése előtt kérjük olvassa el az útmutatóban lévő összes utasítást.

Babakocsi kinyitása

Különítse el a tároló reteszt a tároló retesz rögzítésétől **1**, és utána emelje fel a fogantyút **2**, egy kattánó hang azt jelenti hogy a gyerekkocsi teljesen nyitva van. Nyomja meg a hátradöntő fogantyút a hátoldal hátulján, hogy a hátoldalt függőleges helyzetbe fordítsa. **3**

! Ellenőrizze hogy a gyerekkocsi teljesen nyitva van, mielőtt tovább használná.

Szerelje össze az első kerekeket

Rögzítse az első kerekeket az első lábakhoz. Ellenőrizze, hogy a kerekek biztonságosan rögzítve vannak, meghúzva a kerekeket. **4** Az első kerék leszereléséhez távolítsa el az első kereket az első lábról **5 - 2** miközben a kioldó gombot nyomja. **5 - 1**

Szerelje össze a hátulsó kerekeket

Szerelje a hátulsó kerekeket a hátulsó lábakra **6**, szerelje a hátulsó kerekeket a fékrendszerre **7**. Húzza hátra a kosár csövét és csavarja a hátsó lábak csatlakozó csövét a tároló kosár fedeléhez, majd csatolja be a három gombot **8 - 1**.

! Ellenőrizze, hogy a kerekek biztonságosan rögzítve vannak, meghúzva a kerekeket.

A hátulsó kerék leszereléséhez távolítsa el a hátulsó kereket a hátulsó kerékrögzítőről, **7 - 2** miközben a kioldó gombot nyomja. **7 - 1**

Szerelje össze a karfát

Igazítsa a karfa végét a karfa rögzítőjével, majd helyezze be kattánásig. **9**

A karfa szétszereléséhez nyomja meg a karfa kioldó gombot **10 - 1**, majd húzza ki a karfát. **10 - 2**

Szerelje össze a fedelet

A fedél szereléséhez helyezze be a csatokat a rögzítőbe, majd csatolja a két pár gombot. **11**

i. A fedél hálóját először a hátradöntő gombbal engedje ki. **11 - 1**

ii. Ezután kapcsolja össze a fedél hálóját és gombjait. **11 - 2**

A teljesen összeszerelt gyerekkocsit a **12**-es ábra mutatja.

Babakocsi kezelése

A fedél használata

Nyissa ki a zipzárt, majd nyomja a fedelet előre, hogy kinyissa a fedelet. **13**

! Kérjük állítsa a hátoldalt álló helyzetbe mielőtt kinyitná a fedelet, ha ez kényelmetlen. **14**

! Kérjük nyomja meg a hátoldalt mielőtt kinyitná a fedelet amennyiben kényelmetlen, hogy a hátoldalt álló helyzetbe állítsa. **15**

A fedél összehajtásához húzza hátra a fedelet.

A fedél eltávolításához távolítsa el a rögzítőket miközben a rögzítő fület nyomja **16**, majd távolítsa el a két pár gombot (amelyekkel a szövetet az üléshez csatolja), majd emelje le a fedelet. **11**

! Ha egyszer felszerelte, nem ajánlott a fedél gyakori eltávolítása.

Ülés cseréje

Az ülés cserélhető, ennek következtében az anya és a gyerek egymással szemben lehetnek.

Szorítsa meg a szék kioldó gombját miközben kiemeli az ülést. **17** Fordítsa az ülést a másik irányba, majd helyezze be az ülést az ülésrögzítőbe. **18**

Állítsa a döntést

A hátoldalnak öt helyzete van.

A hátoldal döntéséhez szorítsa meg az állító gombot **19 - 1**, majd állítsa a hátoldalt a kívánt szögbe. **19 - 2** A hátoldal felemeléséhez nyomja fel.

! Győződjön meg, hogy a döntés megfelelően van állítva a használathoz.

Használja a csatot

Engedje ki a csatot

A csat kiengedéséhez nyomja meg a középső gombot. **20**

Zárja le a csatot

Párosítsa a csípőhámszíjat a vállzárral **21 - 1**, és kattintsa be a középső csatba. **21 - 2**

A „kattanó” hang azt jelenti a csat teljesen zárva van. **21 - 3**

! A kiesés vagy kicsúszás miatt bekövetkező komoly sérülések megelőzése érdekében mindig rögzítse a gyereket hámszíjakkal.

! Győződjön meg, hogy a gyerek megfelelően biztosítva van. A gyerek és a vállhámszj közötti távolság körülbelül egy kézvastagságnyi.

! Ne keresztezze a vállpántokat. Ez nyomást gyakorol a gyerek nyakára.

Használjon váll és csípőhámszíjat

! Ahhoz hogy a gyereket megvédje a kieséstől, miután a gyereket behelyezte az ülésbe, ellenőrizze, hogy a váll és csípőhámszíjak megfelelő magasságban vannak és megfelelő hosszúságúak.

22 - 1 Vállhámszj rögzítő A

22 - 2 Vállhámszj rögzítő B

22 - 3 Csúszás állító

Nagyobb gyerek esetében használja az A vállhámszj rögzítőt és a legmagasabb vállpánt nyílást. Kisebb gyerek esetében használja a B vállhámszj rögzítőt és a legalacsonyabb vállpánt nyílást.

A vállhámszj rögzítő helyzetének állításához fordítsa a rögzítőt úgy, hogy szintben legyen és az oldala előre nézzen. Húzza át a vállhámszj nyíláson hátulról előre. **23** Húzza át újra azon a nyíláson amelyik a legközelebb áll a gyerek magasságához. **24**

Használja a csúszás állítót, hogy a hámszj hosszán állítson. **25 - 1**

Nyomja meg a gombot **25 - 2**, miközben a csípőhámszíjat húzza a megfelelő hosszúságra **25 - 3**

Lábak közötti hámszj használata

A lábak közötti szíjat két helyzetbe lehet állítani a gyerek szükségéi szerint.

1 helyzet Ezt a helyzetet kisebb gyerekeknél használja **26 - 1**

2 helyzet Ezt a helyzetet nagyobb gyerekeknél használja **26 - 2**

- i. Húzza ki a lábak közötti hámszijat és helyezze úgy, hogy szintben legyen. **27 - 1 & 27 - 2**
- ii. Fordítsa el a lábak közötti hámszij rögzítőjét, hogy a rövidebb oldal előre nézzen, majd húzza át a lábak közötti hámszij nyílásán. **27 - 3 & 27 - 4**
- iii. Húzza út újra azon a nyíláson, amelyik a legközelebb van a gyerek lábához a lábak közötti hámszij előtt. **26**

Lábtartó állítása

A lábtartónak két helyzete van.

Lábtartó emelése

A lábtartó felemeléséhez csak nyomja felfele.

Lábtartó leengedése

Nyomja meg az állító gombokat a lábtartó mindkét oldalán **28 - 1** és fordítsa a lábtartót lefele. **28 - 2**

Első elfordító zár használata

Nyomja fel az első elfordító zárat, hogy megtartsa a mozgási irányt. **29**

Tipp Egyenetlen felületen ajánlott az elfordító zárat használni.

A fék használata

A kerekek rögzítéséhez lépjen rá lefele a fékkarra. **30**

A kerekek felengedéséhez csak emelje fel a fékkart. **31**

Tipp Mindig fékezze be amikor a gyerekkocsi álló helyzetben van.

A fogantyú állítása

A fogantyúnak három helyzete van.

A fogantyú magasságának állításához húzza a fogantyút felfele vagy lefele **32 - 2** miközben a fogantyú állító gombot nyomja. **32 - 1**

A gyerekkocsi összehajtása

! Kérjük hajtja le a fedelet mielőtt összehajtaná a gyerekkocsit.

Nyomja meg a hátradöntő fogantyút a hátoldal hátulján, hogy a hátoldalt vízszintes helyzetbe fordítsa. **33**

Emelje meg az összehajtó gombot, lépjen rá az összehajtó pedálra, nyomja a gyerekkocsit előre, hogy összehajtsa **33**.

A tároló retesz automatikusan bezár a tároló rögzítőbe, majd a gyerekkocsi teljesen összehajtván és lezárva van. **34**

Tartozékok használata

Tartozékokat árulhatnak külön vagy megtörténhet hogy nem elérhetők a régiótól függően.

A Joie gyerekülés használata

Amikor Joie gemm, iGemm 2, iLevel, i-Snug gyereküléssel használja, kérjük olvassa el az alábbi utasításokat.

1. Az adapter csatolásához helyezze az adaptert a rögzítőbe, amint az ábra mutatja **35**, A "kattanó" hang azt jelenti, hogy az adapter teljesen záródott. **36**

2. A gyerekülés csatolásához helyezze a gyerekülést a rögzítőbe, amint az ábra mutatja **37**, A "kattanó" hang azt jelenti, hogy a gyerekülés teljesen záródott. **38**

3. A gyerekülés eltávolításához emelje a gyerekülést felfele **39 - 2** miközben a két gyerekkocsi rögzítés kioldó A gombot nyomja. **39 - 1**

! Amennyiben problémája adódik a gyerekkocsi és az adapter használatával, kérjük olvassa el ezek kezelési útmutatóját.

! Az adapter eltávolításához, emelje felfele az adaptert **40 - 2** miközben a két kioldó gombot nyomja. **40 - 1**

! Távolítsa el az adaptert Amint az **41**

! Kérjük ne hajtja össze a gyerekkocsit, amikor a gyerekülést csatolta.

A hordozó Chrome kosár használata

Hordozó kosár

1. Nyissa ki a drótkeretet a hordozókosár mindkét oldalán **42**, majd kattintsa a drótot a négy műanyag alkatrészbe. A „kattanó” hang azt jelenti a drótkeret rögzítve van. **42 - 1**

Helyezze a matracot a hordozó kosárba, **43** és simítsa el. **43 - 1**

! A hordozó kosár használatakor mindig használjon matracot.

! A matrac huzata könnyen eltávolítható mosáshoz.

2. Állítsa a hordozó kosár fedelét

Nyissa ki a fedelet és húzza ki az első végét, hogy rögzítse. **44**

Csukja le a fedelet az összehajtó gombok megnyomásával mindkét oldalon. **44 - 1**

3. Szerelje össze a hordozó kosár pajzsát

Helyezze a pajzsot a hordozó kosár fölé, majd csatolja az 5 pár horgot és a hurokfelezítőket. **45 - 1**

Hordozó kosár összeállítva ahogy van **45**

Csatolja a hordozó kosarat az alvázhoz

Igazítsa a hordozó kosár oldalait a keret adaptereihez.

Helyezze a hordozó kosarat közvetlenül alul, amíg helyére kattan. **46**

A kattanó hang azt jelenti a hordozó kosár teljesen össze van szerelve. **47**

! Mindig távolítsa el az adaptereket a hordozó kosár használata előtt.

! Kérjük ne hajtja össze a gyerekkocsit, amikor a hordozó kosarat csatolta.

A hordozó kosár eltávolítása

Nyomja meg a kioldó gombokat a hordozó kosár mindkét oldalán **48 - 1**, majd emelje ki felfele. **48 - 2**

Lábtakaró pajzs használata

A puha lábtakaró pajzs kényelmes és meleg alvó környezetet biztosít a gyerekeknek.

Szerelje össze a lábtakaró pajzsot a következő lépésekkel.

1. Állítsa a lábtartót és hátoldalt szintbe és döntse meg a helyzetét megfelelően, mielőtt a lábtakaró pajzsot összeszereli. **49**

2. Takarja be a lábtartót a lábtakaró pajzsral. **50**

Az összeszerelt lábtakaró pajzsot az ábra mutatja. **51**

Vállhámszij borító és lábak közötti hámszij borító használata

A vállhámszij borító vagy lábak közötti hámszij borító eltávolítható a hálóról. Egyszerűen fordítsa meg a lépéseket hogy újra összerakja a vállhámszij borítót és a lábak közötti hámszij borítót.

Az eső elleni borító használata


Az eső elleni borító összeszereléséhez helyezze ezt a gyerekkocsi fölé. 

- ! Mielőtt használná az eső elleni borítót, győződjön meg, hogy a szék rögzítve van.
- ! Amikor használja az eső elleni borítót, kérjük mindig ellenőrizze a szellőzést.
- ! Amikor nem használja, kérjük ellenőrizze hogy az eső elleni borítót megtisztította és megszártotta mielőtt összehajtja.
- ! Az eső elleni borító használatakor ne hajtsa össze a gyerekkocsit.
- ! Meleg időben ne tegye a gyereket a gyerekkocsiba ha az eső elleni borítót felszerelte.
- ! Felnőtt felügyelet mellet használandó. Ne használja ülés nélküli kocsin.

Üléspárna használata

[lásd a képeket !\[\]\(e2376d476d06eb31946dc01a69a4403a_img.jpg\)](#)

Gondozás és karbantartás

- ! Az eltávolítható ülés párnát hideg vízben moshatja és akassza ki száradni. Ne fehérítse.
- ! A gyerekkocsi keretet kizárólag háztartási szappannal és meleg vízzel tisztítsa meg. Ne használjon fehérítőt vagy mosószert.
- ! Rendszeres időközönként ellenőrizze, hogy nincsenek-e meglazult csavarok, elhasználódott alkatrészek, illetve elszakadt anyagdarabok vagy varrások a gyerekkocsin. Szükség esetén cserélje le vagy javítsa meg az alkatrészeket.
- ! Túlzott napfény vagy hő hatására az alkatrészek kifakulhatnak vagy deformálódhatnak.
- ! Ha a gyerekkocsi nedves lesz, nyissa ki a fedelet és hagyja megszáradni tárolás előtt.
- ! Ha a kerekek nyikorognak, használjon olajat (pl. Szilikon spray, rozsdá gátló olaj vagy varrógépolaj). Fontos hogy az olaj a tengelyre és a kerékhez jusson. 
- ! Ha a gyerekkocsit használja, tisztítsa meg teljesen a gyerekkocsit hogy eltávolítsa a homokot és sót a fék és kerékrendszerből.

Blahopřejeme vám - stali jste se členy rodiny Joie! Jsme nadšeni, že můžeme doprovázet vaše dítě na cestě. Při cestování s kočárkem Joie chrome™ používáte kvalitní, plně certifikovaný kočárek schválený evropskými bezpečnostními normami EN 1888-2:2018. Můžete jej používat s hlubokým lůžkem Joie Chrome, které splňuje normy EN 1466:2014/AC:2015. Tento produkt je vhodný pro děti do 22 kg nebo do 4 let (podle toho, co nastane dříve). Pozorně si přečtěte tento návod. Jeho dodržováním zajistíte pohodlnou jízdu a maximální ochranu svého dítěte.

DŮLEŽITÉ - POZORNĚ SI PŘEČTĚTE TENTO NÁVOD A USCHOVEJTE JEJ PRO BUDOUCÍ POUŽITÍ.

Pro stažení návodů a více podrobností o vzrušujících výrobcích Joie nás navštivte na joiebaby.com!

Obsah

Obrázky	1-10
VAROVÁNÍ	139
Sestavení kočárku	140
Složení kočárku	140
Montáž předních koleček	140
Montáž zadních koleček	140
Sestavení opěrky rukou	141
Montáž stříšky	141
Používání kočárku	141
Použití stříšky	141
Otočení sedačky	141
Úprava opěraku	141
Použití spony	141
Použití ramenního postroje a postroje do pasu	142
Použití rozkrokového postroje	142
Úprava opěrky nohou	142
Použití zámku natáčení předních koleček	142
Použití brzdy	143
Úprava držadla	143
Rozložení kočárku	143
Použití příslušenství	143
Péče a údržba	145

Stav nouze

V případě ohrožení nebo úrazu je nejdůležitější poskytnout vašemu dítěti okamžitě ošetření a následnou lékařskou pomoc.

Informace o produktu

Před použitím výrobku si přečtěte všechny pokyny v tomto návodu. Máte-li další dotazy, kontaktujte prosím prodejce. Některé funkce se mohou lišit v závislosti na modelu.

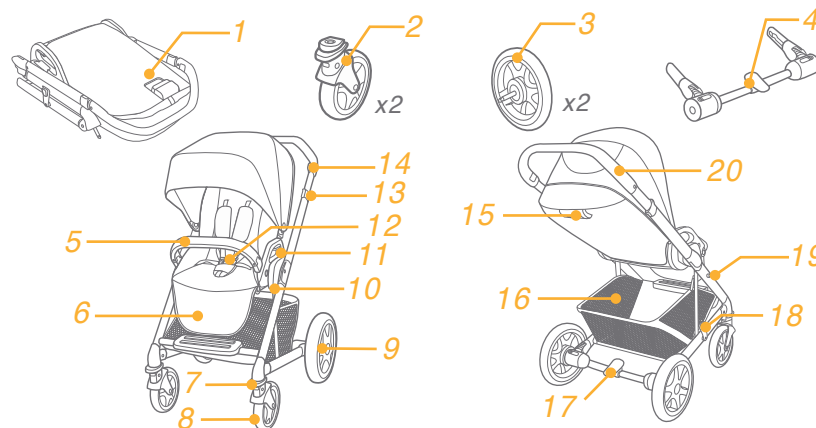
Produkt	Kočárek Chrome
Vhodný pro	Tento produkt je vhodný pro děti do 22 kg nebo do 4 let (podle toho, co nastane dříve).
Materiály	Plasty, kov, textilie
Č. patentu	Čeká na udělení patentu
Vyrobeno v	Čína
Značka	Joie
Webová stránka	www.joiebaby.com
Výrobce	Allison GmbH

Seznam dílů

Před instalací se prosím ujistěte, že žádná část sestavy nechybí. V případě, že některá část chybí, kontaktujte prodejce.

K sestavení nejsou zapotřebí žádné nástroje.

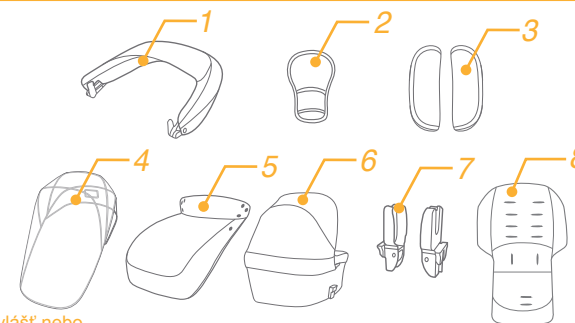
1 Rám kočárku	7 Zámek natáčení koleček	11 Tlačítko uvolnění sedátka	15 Rukojeť náklonu
2 Přední kolečko (X2)	8 Přední kolečko	12 Přezka	16 Úložný košík
3 Zadní kolečko (X2)	9 Zadní kolečko	13 Tlačítko rozložení	17 Páčka brzdy
4 Sestava brzdy	10 Držák sedátka	14 Tlačítko nastavení rukojeti	18 Úložná západka
5 Opěrka rukou			19 Držák úložné západky
6 Opěrka nohou			20 Rukojeť



Příslušenství

(Nemusí být součástí)

- 1 Stříška
- 2 Polstr rozkrokového postroje
- 3 Polstr ramenního postroje
- 4 Pláštěnka
- 5 Nánožník fusaku
- 6 Hluboké lůžko
- 7 Adaptér
- 8 Vložka sedačky



Příslušenství se může prodávat zvlášť nebo nemusí být k dispozici v závislosti na regionu.

VAROVÁNÍ

- ! VAROVÁNÍ Vždy používejte zádržný systém. Doporučujeme rovněž používat ramenní postroj.
- ! VAROVÁNÍ Před použitím zkontrolujte, zda jsou všechny pojistky aktivovány.
- ! VAROVÁNÍ Zabraňte svému dítěti, aby si s tímto výrobkem hrálo.
- ! VAROVÁNÍ Před použitím zkontrolujte, zda jsou správně zajištěny upevňovací prvky korbíčky, sedátka nebo autosedačky.
- ! Sestavení smí provést pouze dospělá osoba.
- ! Tento kočárek používejte pouze s dítětem o hmotnosti do 22kg. Při převážení nepřipoutaného dítěte dojde k poškození kočárku.
- ! Aby se zabránilo nebezpečné a nestabilní situaci, neumísťujte do úložného košíku více než 4,5 kg.
- ! VAROVÁNÍ Svě dítě v žádném případě neponechávejte bez dozoru. Když je vaše dítě v kočárku, mějte jej vždy na očích.
- ! Na tomto kočárku převázejte pouze jedno dítě najednou. V žádném případě neumísťujte peněženky, nákupní tašky, balíky nebo příslušenství na držadlo nebo stříšku.
- ! Přetěžování, nesprávné rozkládání nebo používání dílů jiných výrobců může způsobit poškození, rozbití nebo omezení bezpečnosti kočárku. Pozorně si přečtěte návod k použití.
- ! V žádném případě nepoužívejte díly od jiných výrobců.
- ! Před použitím tohoto výrobku si přečtěte všechny pokyny v tomto návodu. Uchovejte si tento návod pro budoucí použití. Nedodržení těchto výstrah a pokynů může vést k vážnému poranění nebo smrti.
- ! Je nezbytné správně používat bezpečnostní pásy a zádržné systémy.
- ! Aby se zabránilo pádu nebo vyklouznutí a vážnému zranění, vždy používejte bezpečnostní pás.
- ! Při nastavování kočárku zajistěte, aby se vaše dítě nacházelo mimo dosah pohyblivých částí.
- ! V případě nepoužití postroje může dítě sklouznout do otvorů pro nohy a zamotat se.
- ! V žádném případě nepoužívejte tento kočárek na schodech nebo eskalátech.
- ! Uchovávejte mimo dosah předmětů o vysoké teplotě, kapalin a elektroniky.
- ! V žádném případě nedovolte svému dítěti, aby si na kočárku stoupalo nebo aby sedělo na kočárku hlavou dopředu.
- ! V žádném případě neumísťujte kočárek na silnice, svahy nebo nebezpečná místa.
- ! Před použitím kočárku zkontrolujte, zda jsou všechny mechanismy zajištěné.
- ! Aby se zabránilo uškrcení, NEUMÍSŤUJTE předměty s provázky okolo krku dítěte, nezavěšujte provázky z tohoto výrobku ani nepřivazujte provázky k hračkám.
- ! NEPOKLÁDEJTE žádné předměty na držadlo, aby se zabránilo převržení.
- ! NEZVEDEJTE kočárek, pokud je dítě v kočárku.
- ! NEVOZTE dítě v úložném košíku.
- ! Aby se zabránilo převrácení, v žádném případě nedovolte dítěti, aby na kočárek šplhalo. Při vkládání a vyjímání z kočárku dítě vždy zvedněte.
- ! VAROVÁNÍ Rozkládání a skládání tohoto výrobku provádějte v bezpečné vzdálenosti od dítěte, aby se zabránilo zranění.
- ! Než dítě pustíte ke kočárku, ujistěte se, že kočárek je zcela otevřený nebo rozložen.

- ! Aby byla zajištěna bezpečnost vašeho dítěte, před použitím kočárku zkontrolujte, zda jsou všechny díly řádně sestaveny a zajištěny.
- ! Aby se zabránilo uškrcení, zajistěte, aby vaše dítě bylo mimo dosah stříšky.
- ! Při parkování kočárku vždy použijte brzdy.
- ! Pokud je kočárek poškozený nebo rozbitý, přestaňte jej používat.
- ! Tento kočárek lze používat pouze při rychlosti chůze. Tento výrobek není určen pro použití při kondičním běhání.
- ! Před používáním tohoto výrobku odstraňte igelitový sáček a obalové materiály, aby se zabránilo udušení. Igelitový sáček a obalové materiály je třeba uchovávat mimo dosah novorozenců a dětí.
- ! Tento výrobek není vhodný pro běhání nebo bruslení.
- ! Tento kočárek je určen pro používání od narození. Pro novorozence doporučujeme používat největší sklon.
- ! Při vkládání nebo vyjímání dětí musí být aktivováno parkovací zařízení.
- ! Toto hluboké lůžko je vhodné pouze pro dítě, které nedokáže sedět bez pomoci, nedokáže se přetočit a nedokáže se samo zvednout na ruku a kolenu. Maximální hmotnost dítěte: 9 kg.
- ! Nenechávejte si v blízkosti hlubokého lůžka hrát jiné děti bez dozoru.
- ! Hluboké lůžko NENÍ určeno pro dlouhodobé spaní.
- ! NEPOUŽÍVEJTE ani nepřidávejte jinou matraci, než byla dodána s tímto hlubokým lůžkem.
- ! Používáte-li dětský zádržný systém v kombinaci s podvozkem, toto vozidlo nenahrazuje postýlku ani lůžko. Když vaše dítě potřebuje spát, uložte jej do vhodné hluboké korbě, postýlky nebo na vhodné lůžko.
- ! Hlava dítěte v hluboké korbě se v žádném případě nesmí nacházet níže, než tělo dítěte.
- ! Před přenášením nebo zvedáním zkontrolujte, zda se držadlo(a) nachází ve správné poloze pro použití.
- ! Pravidelně kontrolujte, zda nejsou poškozené nebo opotřebované rukojeti a spodní strana hlubokého lůžka.
- ! Jakákoli zátěž připevněná na držadlo a/nebo na zadní stranu opěraku a/nebo na boční strany vozidla snižuje jeho stabilitu.
- ! V žádném případě nepoužívejte příslušenství, součásti nebo komponenty, které nebyly vyrobeny nebo schváleny výrobcem.
- ! Tento produkt je vhodný pro děti do 22 kg nebo do 4 let (podle toho, co nastane dříve).

Sestavení kočárku

Před montáží a použitím tohoto výrobku si přečtěte všechny pokyny v tomto návodu.

Otevřený kočárek

Oddělte úložnou západku od úložného úchytu ❶ a potom zvedněte rukojeť nahoru ❷. Jakmile se ozve cvaknutí, kočárek je zcela složený. Chcete-li otočit opěraku do svislé polohy, stiskněte rukojeť náklonu na zadní straně opěraku. ❸

! Než budete pokračovat, zkontrolujte, zda je kočárek zcela složený.

Montáž předních koleček

Namontujte přední kolečka na přední nohy. Zatáhněte za namontovaná kolečka a ověřte, zda jsou řádně namontována. ❹ Chcete-li demontovat přední kolečko, stiskněte uvolňovací tlačítko a oddělte kolečko od nohy ❺ - 2. ❺ - 1

Montáž zadních koleček

Namontujte sestavu brzdy na zadní nohy **6**, namontujte zadní kolečka na sestavu brzdy **7**. Přitáhněte trubku košíku dozadu, oviňte spojovací trubku zadních nohou klopou úložného košíku a potom zapněte tři knoflíky **8** - **1**.

! Zatáhněte za namontovaná kolečka a ověřte, zda jsou řádně namontována.

Chcete-li demontovat zadní kolečko, stiskněte uvolňovací tlačítko a oddělte zadní kolečko od držáku **7** - **2**. **7** - **1**

Sestavení opěrky rukou

Zorientujte konce opěrky rukou s držáky opěrky rukou a potom je zasuňte na místo. **9**

Při odnímání opěrky rukou stiskněte uvolňovací tlačítko **10** - **1** a potom opěrku vysuňte. **10** - **2**

Montáž stříšky

Při montáži stříšky zasuňte svorky do držáku a potom zapněte 2 páry knoflíků. **11**

i. Nejdříve připněte popruh stříšky ke knoflíkům opěráku. **11** - **1**

ii. Potom připněte potah k popruhu stříšky a ke knoflíkům. **11** - **2**

Zcela sestavený kočárek je zobrazen na obrázku **12**

Používání kočárku

Použití stříšky

Rozepněte zip a potom zatlačením dopředu otevřete stříšku. **13**

! Před rozevřením stříšky nastavte opěrák do svislé polohy. **14**

! Pokud nelze nastavit opěrák do svislé polohy, před rozevřením stříšky jej stiskněte. **15**

Chcete-li stříšku složit, zatáhněte ji dozadu.

Při snímání stříšky stiskněte pojistný výstupek a odpojte svorky od držáku **16**. Potom odepněte 2 páry knoflíků (kterými je látka stříšky připevněna k sedátku) a zvedněte stříšku. **11**

! Po nasazení nedoporučujeme stříšku pravidelně snímat.

Otočení sedačky

Sedačku lze otočit, což umožňuje, aby bylo dítě otočené k matce.

Sevřete uvolňovací tlačítka sedátka a zvedněte sedátko nahoru. **17** Otočte sedátko do opačného směru a potom zasuňte sedátko do držáků. **18**

Nastavení ležení

K dispozici je 5 poloh opěráku.

Chcete-li změnit polohu opěráku, sevřete tlačítko nastavení **19** - **1** a potom nastavte opěrák do požadované polohy. **19** - **2** Chcete-li opěrák zvednout, zatlačte jej nahoru.

! Ujistěte se, že náklon je řádně nastaven pro použití.

Použití spony

Uvolnění spony

Stiskněte prostřední tlačítko pro odepnutí spony. **20**

Zámek spony

Srovnejte sponu bederního pásu se sponou ramenního pásu **21** - **1** a zacvakněte do středové spony. **21** - **2**

Jakmile se ozve „cvaknutí“, znamená to, že přezka je zcela zajištěná. **21** - **3**

! Aby se zabránilo pádu nebo vyklouznutí a vážnému zranění, vždy zajistěte své dítě postrojem.

! Ujistěte se, že dítě je pohodlně zajištěno. Mezi dítětem a ramenním postrojem musí být prostor přibližně na tloušťku jedné ruky.

! Nekřížte ramenní pásy. Tím se vytváří tlak na krk dítěte.

Použití ramenního postroje a postroje do pasu

! Abyste vaše dítě ochránili před vypadnutím, po usazení dítěte do sedačky zkontrolujte, zda jsou ramenní a bederní postroj ve správné výšce a délce.

22 - **1** Kotva ramenního postroje A

22 - **2** Kotva ramenního postroje B

22 - **3** Posuvný regulátor

Pro větší dítě použijte kotvu ramenního postroje A a nejvyšší ramenní sloty. Pro menší dítě použijte kotvu ramenního postroje B a nejnižší ramenní sloty.

Pro úpravu pozice kotvy ramenního postroje otočte kotvu tak, aby byla v rovině s boční stranou směřující dopředu. Protáhněte ji slotem ramenního postroje zezadu dopředu. **23** Znovu ji protáhněte slotem, který je nejbližší výšce ramene dítěte. **24**

Pro změnu délky postroje použijte posuvný regulátor. **25** - **1**

Stiskněte tlačítko **25** - **2**, zatímco taháte za bederní postroj pro úpravu jeho délky. **25** - **3**

Použijte postroj přes rozkrok

Existují 2 polohy nastavení rozkrokového popruhu podle požadavků dítěte.

Poloha 1 V případě menších dětí se používá tato poloha **26** - **1**

Poloha 2 V případě větších dětí se používá tato poloha **26** - **2**

i. Vytáhněte rozkrokový postroj ven a umístěte jej tak, aby byl vodorovně. **27** - **1** & **27** - **2**

ii. Otočte kotvu rozkrokového postroje tak, aby kratší strana směřovala dopředu, a potom ji provlékněte otvorem pro rozkrokový postroj. **27** - **3** & **27** - **4**

iii. Znovu protáhněte otvorem, který nejbližší rozkroku dítěte, z přední strany rozkrokového postroje. **26**

Úprava opěrky nohou

Opěrka nohou má 2 polohy.

Zvednutí opěrky nohou

Chcete-li zvednout opěrku nohou, zatlačte ji směrem nahoru.

Spuštění opěrky nohou

Stiskněte nastavovací tlačítka na obou stranách opěrky nohou **28** - **1** a otočte opěrku nohou směrem dolů. **28** - **2**

Použití zámku natáčení předních koleček

Zatlačte zámky natáčení předních koleček směrem nahoru pro udržení směru jízdy. **29**

Tip Na nerovném povrchu doporučujeme zablokovat natáčení koleček.

Použití brzdy

Pro zajištění koleček stlačte páčku brzdy směrem dolů. **30**

Pro uvolnění koleček stačí zvednout páčku brzdy směrem nahoru. **31**

Tip Když s kočárkem zastavíte, vždy jej zabrzděte.

Úprava držadla

Rukojeť má 3 polohy.

Chcete-li upravit výšku rukojeti, přitáhněte rukojeť nahoru nebo dolů **32 - 2** a zároveň stiskněte stavěcí tlačítko rukojeti. **32 - 1**

Rozložení kočárku

! Před rozložením kočárku složte stříšku.

Chcete-li otočit opěrák do vodorovné polohy, stiskněte rukojeť náklonu na zadní straně opěráku. **33**

Zvedněte tlačítko pro rozložení, sešlápněte pedál pro rozložení dolů a zatlačením kočárku dopředu jej rozložte **33**.

Když je kočárek zcela rozložen a zajištěn, úložná západka se automaticky zahákne do úložného úchyty. **34**

Použití příslušenství

Příslušenství se může prodávat zvlášť nebo nemusí být k dispozici v závislosti na regionu.

Použití s dětským zádržným systémem Joie

Při použití s dětským zádržným systémem Joie gemm, iGemm 2, i-Level a i-Snug si prosím přečtěte následující pokyny.

1. Při připojování umístěte adaptér na držáky podle obrázku **35**. Jakmile se ozve „cvaknutí“, znamená to, že adaptér je zcela zajištěn. **36**
2. Při připojování umístěte dětský zádržný systém na adaptér podle obrázku **37**. Jakmile se ozve „cvaknutí“, znamená to, že dětský zádržný systém je zcela zajištěn. **38**
3. Při odpojování zvedněte dětský zádržný systém **39 - 2** a zároveň stiskněte dvě uvolňovací tlačítka A uchycení ke kočárku. **39 - 1**

! Máte-li problémy s použitím kočárku a adaptéru, přečtěte si prosím jeho vlastní pokyny k použití.

! Při odnímání zvedněte adaptér nahoru **40 - 2** a zároveň stiskněte dvě uvolňovací tlačítka. **40 - 1**

! Odejměte adaptér podle obrázku **41**

! Nerozkládejte kočárek s nasazeným dětským zádržným systémem.

Použití Chrome hlubokého lůžka

Nasazení hlubokého lůžka

1. Otevřete drátěnou opěru na obou stranách hlubokého lůžka **42**. Potom zacvakněte drát do čtyř plastových částí. „Cvaknutí“ znamená, že drátěná opěra je zajištěna. **42 - 1**
Vložte matraci do hlubokého lůžka **43** a urovnejte. **43 - 1**

! S hlubokým lůžkem vždy používejte matraci.

! Potah matrace lze snadno sejmout a vyprat.

2. Úprava stříšky hlubokého lůžka

Otevřete stříšku a zajistěte vytažením předního okraje. **44**

Stiskněte tlačítka pro rozložení stříšky na obou stranách a zavřete stříšku. **44 - 1**

3. Nasazení nánožníku na hluboké lůžko

Nasadte nánožník na hluboké lůžko a potom připevněte 5 párů suchých zipů. **45 - 1**

Kompletně sestavené hluboké lůžko je zobrazeno na obrázku **45**

Připevnění hlubokého lůžka na podvozek

Zorientujte boční strany hlubokého lůžka a adaptéry na rámu.

Umístěte hluboké lůžko přímo dolů tak, aby zacvaklo na místo. **46**

„Cvaknutí“ znamená, že hluboké lůžko je zcela připevněno. **47**

! Před použitím hlubokého lůžka vždy odejměte adaptéry.

! Nerozkládejte kočárek s nasazeným hlubokým lůžkem.

Sejmutí hlubokého lůžka

Stiskněte uvolňovací tlačítka na obou stranách hlubokého lůžka **48 - 1** a potom jej zvedněte. **48 - 2**

Používání nánožníku fusaku

Textilní nánožník fusaku udržuje vaše dítě v teple a pohodlí.

Nasadte nánožník fusaku podle následujících pokynů.

1. Před nasazením nánožníku fusaku upravte opěrku nohou a hlavy do horizontální polohy a polohy náklonu. **49**
 2. Opěrku nohou zakryjte nánožníkem fusaku. **50**
- Sestavený nánožník fusaku je zobrazen na obrázku **51**

Použití pláštěnky

Nasadte pláštěnku na kočárek. **52**

! Před použitím pláštěnky zkontrolujte, zda je sedačka upevněná.

! Při použití pláštěnky prosím vždy zkontrolujte její ventilaci.

! Před rozložením vždy zkontrolujte, zda byla pláštěnka očištěna a je suchá.

! Nerozkládejte kočárek s nasazenou pláštěnkou.

! V horkém počasí neumísťujte dítě do kočárku s nasazenou pláštěnkou.

! Používat pouze pod dohledem dospělé osoby. Nepoužívejte na kočárku bez stříšky.

Vložka sedačky

viz obrázky **53**

Používání polstru ramenního postroje a rozkrokového postroje

Polstr ramenního postroje a rozkrokového postroje lze sejmout z popruhu. Při nasazování polstru ramenního postroje a rozkrokového postroje postupujte podle stejných kroků v opačném pořadí

Péče a údržba

- ! Odnímatelný polstr sedačky lze prát ve studené vodě bez máchání. Nebělit.
- ! K čištění rámu kočárku použijte pouze běžné mýdlo a teplou vodu. Nepoužívejte bělidlo ani detergent.
- ! Pravidelně kontrolujte stav opotřebení součástí a případné uvolněné šrouby, potrhání materiálu nebo švů výrobku. Poškozené součásti podle potřeby vyměňte nebo opravte.
- ! Nadměrné vystavení slunci nebo teple může způsobit blednutí nebo deformování dílů.
- ! Pokud kočárek navlhne, otevřete stříšku a před uložením ho nechte důkladně oschnout.
- ! Pokud kolečka skřípají, použijte lehký olej (např. silikonový sprej, antikorozní olej nebo olej na šicí stroje). Je důležité namazat olejem nápravu koleček. 🛠️
- ! Po používání na pláži kočárek důkladně vyčistěte a odstraňte písek a sůl z mechanismů a nápravy koleček.

SK Vitajte v rodine Joie™

Blahoželáme k tomu, že ste sa stali súčasťou rodiny Joie! Sme nadšení, že sme súčasťou vašej cesty s vaším dieťaťom. Pri cestovaní s Joie chrome™ používate kvalitný, plne certifikovaný kočík, schválený podľa európskych bezpečnostných noriem STN EN 1888-2:2018 a možno ho použiť s prenosnou postieľkou Joie Chrome, ktorá je schválená podľa STN EN 1466:2014/AC:2015. Tento výrobok je vhodný pre deti od narodenia do 22 kg alebo 4 rokov, podľa toho, čo nastane skôr. Pozorne si prečítajte túto príručku a dodržiavajte všetky kroky na zabezpečenie pohodlnej jazdy a čo najlepšej ochrany svojho dieťaťa.

DÔLEŽITÉ - POZORNE SI PREČÍTAJTE A UCHOVAJTE PRE NESKORŠIE POUŽITIE.

Navštívte nás na joiebaby.com, kde si môžete stiahnuť manuály a pozrieť ďalšie zaujímavé výrobky spoločnosti Joie!

Obsah

Obrázky	1 - 10
VÝSTRAHA	149
Zostavenie kočíka	150
Rozloženie kočíka	150
Zostavenie a predných kolies	150
Zostavenie zadných kolies	151
Zostavenie držadla	151
Zostavenie striešky	151
Prevádzka kočíka	151
Použitie striešky	151
Zmena orientácie sedačky	151
Nastavenie sklonu	151
Použitie spony	152
Použitie ramenných a bedrových popruhov	152
Použitie rozkrokového popruhu	152
Nastavenie lýtkovej opierky	152
Použitie predného zámku otáčania	153
Použitie brzdy	153
Nastavenie rukoväte	153
Zloženie kočíka	153
Použitie príslušenstva	153
Starostlivosť a údržba	155

Núdzový stav

V prípade mimoriadnej udalosti alebo nehody je najdôležitejšie, aby bolo o vaše dieťa ihneď postarané v rámci prvej pomoci a lekárskeho ošetrovania.

Informácie o výrobku

Pred používaním tohto výrobku si prečítajte všetky pokyny, ktoré sú v tejto príručke uvedené. V prípade akýchkoľvek ďalších otázok sa obráťte na predajcu. Niektoré funkcie sa môžu líšiť v závislosti od modelu.

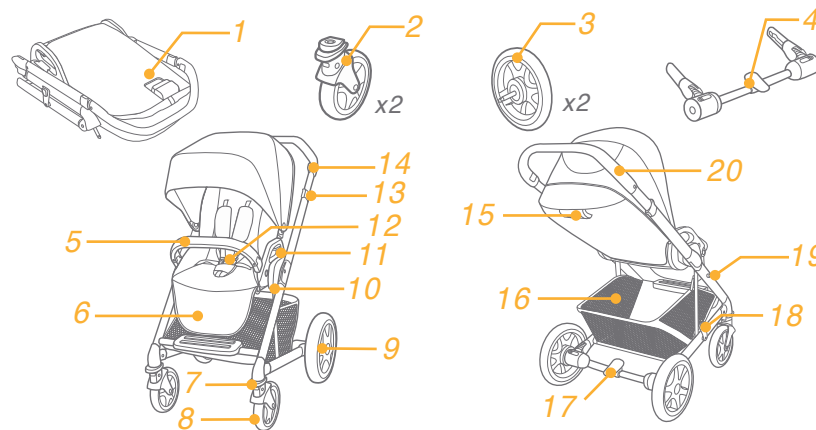
Výrobok	Kočík Chrome
Vhodný pre	Tento výrobok je vhodný pre deti od narodenia do 22 kg alebo 4 rokov, podľa toho, čo nastane skôr.
Materiály	Plast, kov, textil
Patent č.	Patentová prihláška sa prerokúva
Vyrobené v	Čína
Názov značky	Joie
Webová stránka	www.joiebaby.com
Výrobca	Allison GmbH

Zoznam dielov

Pred zostavením skontrolujte, či máte všetky časti. Ak chýba ktorákoľvek časť, obráťte sa na miestneho predajcu.

Na zostavenie nie sú potrebné žiadne nástroje.

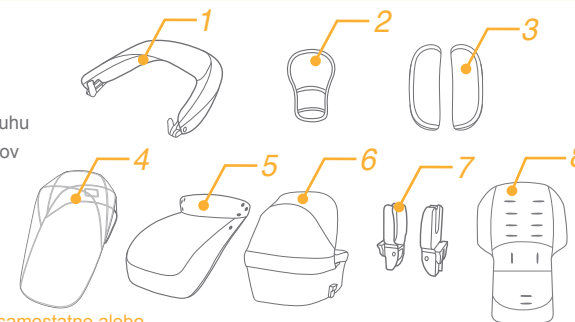
1 Rám kočíka	7 Zámok otáčania	12 Spona	17 Brzdová páčka
2 Predné koleso (x 2)	8 Predné koleso	13 Skladacie tlačidlo	18 Západka úložného priestoru
3 Zadné koleso (x 2)	9 Zadné koleso	14 Tlačidlo na nastavenie rukoväte	19 Západkový držiak úložného priestoru
4 Brzdová zostava	10 Držiak sedačky	15 Rukoväť sklonu	20 Rukoväť
5 Držadlo	11 Uvoľňovacie tlačidlo sedačky	16 Úložný košík	



Príslušenstvo

(nemusi byť zahrnuté)

1 Strieška	2 Kryt podušky rozkrokového popruhu	3 Kryt podušky ramenných popruhov
4 Kryt proti dažďu	5 Prikrývka fusaku	6 Prenosná postieľka
7 Adaptér	8 Podšívka sedačky	



Príslušenstvo sa môže predávať samostatne alebo nemusí byť k dispozícii v závislosti od oblasti.

VÝSTRAHA

- ! VÝSTRAHA Vždy používajte zadržiavací systém. Odporúča sa používať aj ramenné popruhy.
- ! VÝSTRAHA Pred použitím skontrolujte, či sú zapojené všetky zaistovacie zariadenia.
- ! VÝSTRAHA Nenechávajte dieťa hrať sa s týmto výrobkom.
- ! VÝSTRAHA Pred použitím skontrolujte, či sú teleso kočíka alebo jednotka sedačky, alebo upevňovacie prvky autosedačky správne zaistené.
- ! Montáž musia vykonať dospelé osoby.
- ! Kočík používajte s dieťaťom, ktoré váži menej ako 22kg. S nevhodným dieťaťom dôjde k poškodeniu kočíka.
- ! Aby ste predišli nebezpečným a nestabilným podmienkam, do úložného košíka neumiestňujte veci s hmotnosťou viac ako 4,5kg.
- ! VÝSTRAHA Nikdy nenechajte dieťa bez dozoru. Vždy, keď je dieťa v kočíku, majte naň dobrý výhľad.
- ! Kočík používajte naraz len pre jedno dieťa. Nikdy nepokladajte na rukoväť ani striešku peňaženky, nákupné tašky, balíky alebo prvky príslušenstva.
- ! Preťaženie, nesprávne zloženie alebo používanie komponentov iných výrobcov môže spôsobiť, že sa kočík poškodí, zlomí alebo že nebude bezpečný. Pozorne si prečítajte návod na použitie.
- ! Nikdy nepoužívajte spolu s komponentmi iných výrobcov.
- ! Pred používaním tohto výrobku si prečítajte všetky pokyny, ktoré sú v príručke uvedené. Tento návod na použitie uložte pre budúce použitie. Nedodržanie týchto výstrah a pokynov môže viesť k vážnemu poraneniu alebo smrti.
- ! Bezpečnostné pásy a zadržiavacie systémy sa musia používať správne.
- ! Aby nedošlo k vážnemu zraneniu v dôsledku vypadnutia či vykĺznutia, vždy používajte bezpečnostný pás.
- ! Pri nastavovaní kočíka sa uistite, že je telo dieťaťa mimo pohyblivých častí.
- ! Ak sa nepoužijú popruhy, dieťa môže vkĺznuť do otvorov pre nohy a uškrtiť sa.
- ! Nikdy nepoužívajte kočík na schodoch ani eskalátoroch.
- ! Udržiavajte mimo objektov s vysokou teplotou, tekutín a elektroniky.
- ! Nikdy nedovoľte, aby dieťa stálo na kočíku alebo v ňom sedelo hlavou smerujúcou k prednej časti kočíka.
- ! Nikdy nenechávajte kočík na cestách, svahoch alebo v nebezpečných oblastiach.
- ! Pred použitím kočíka sa uistite, že sú všetky mechanizmy upevnené.
- ! Aby sa zabránilo uškrteniu, okolo krku dieťaťa NEUMIESTŇUJTE predmety so šnúrkami, šnúrky nenechajte visieť z tohto výrobku ani ich neuväzujte k hračkám.
- ! Aby ste predišli prevráteniu, NEDÁVAJTE nič na rukoväť.
- ! NEZDVÍHAJTE kočík, keď je v ňom dieťa.
- ! NEPOUŽÍVAJTE úložný košík ako nosič na dieťa.
- ! Aby ste predišli prevráteniu, nikdy nedovoľte, aby dieťa liezlo na kočík. Pri vkladaní dieťaťa do kočíka a vyberaní z neho ho vždy zdvihnite.
- ! VÝSTRAHA Aby ste sa vyhlí poraneniu, uistite sa, že je dieťa pri rozkladaní a skladaní tohto výrobku v bezpečnej vzdialenosti.
- ! Skôr než necháte dieťa priblížiť sa ku kočíku, uistite sa, že je kočík úplne rozložený alebo zložený.
- ! Aby ste zaistili bezpečnosť dieťaťa, pred používaním kočíka skontrolujte,

či sú všetky diely riadne zostavené a dotiahnuté.

- ! Aby sa zabránilo uškrteniu, uistite sa, že je dieťa mimo striešky.
- ! Pri parkovaní kočíka vždy zatiahnite parkovaciu brzdu.
- ! Prestaňte používať kočík, ak je poškodený alebo porušený.
- ! Kočík sa môže používať len pri rýchlosti chôdze. Tento výrobok nie je určený na používanie pri behaní.
- ! Aby ste predišli uduseniu, pred použitím tohto výrobku odstráňte plastové vrečko a obalové materiály. Plastové vrečko a obalové materiály sa potom musia uchovávať mimo dosahu detí.
- ! Tento výrobok nie je vhodný na behanie alebo korčuľovanie.
- ! Kočík je navrhnutý na používanie od narodenia a pre novo narodené deti sa odporúča používanie úplne sklopenej polohy.
- ! Pri vkladaní a vyberaní detí sa musí aktivovať parkovacie zariadenie.
- ! Prenosná postieľka je vhodná len pre dieťa, ktoré nemôže sedieť bez pomoci, prevrátiť sa a nemôže sa vytlačiť na ruky a kolena. Maximálna hmotnosť dieťaťa: 9kg.
- ! Nenechávajte iné deti hrať sa bez dozoru v blízkosti prenosnej postieľky.
- ! Prenosná postieľka sa NESMIE používať na dlhodobé spanie.
- ! NEPOUŽÍVAJTE ani nepridávajte žiadny iný matrac ako ten, ktorý sa dodáva s prenosnou postieľkou.
- ! Pre detské autosedačky používané v spojení s rámom platí, že toto vozidlo nenahrádza postieľku ani posteľ. Ak vaše dieťa potrebuje spať, malo by sa umiestniť do vhodného telesa kočíka, postieľky alebo postele.
- ! Uistite sa, že hlava dieťaťa v prenosnej postieľke nebude nikdy nižšie ako telo dieťaťa.
- ! Pred nesením alebo zdvíhaním sa uistite, že je rukoväť v správnej polohe používania.
- ! Pravidelne sa musí kontrolovať, či rukoväť a spodná časť prenosnej postieľky nenesú známky poškodenia a opotrebovania.
- ! Akékoľvek zaťaženie pôsobiace na rukoväť a/alebo zadnú stranu operadla a/alebo na boky vozidla ovplyvní stabilitu vozidla.
- ! Nikdy nepoužívajte príslušenstvo, časti ani komponenty, ktoré neboli vyrobené alebo schválené výrobcom.
- ! Tento výrobok je vhodný pre deti od narodenia do 22 kg alebo 4 rokov, podľa toho, čo nastane skôr.

Zostavenie kočíka

Pred zostavením a používaním tohto výrobku si prečítajte všetky pokyny, ktoré sú v tejto príručke uvedené.

Rozloženie kočíka

Oddelte západku úložného priestoru od západkového držiaka úložného priestoru ❶ a potom zdvihnite rukoväť ❷, zvuk „cvaknutia“ znamená, že je kočík úplne rozložený. Stlačením rukoväte sklonu na zadnej časti operadla otočte operadlo do vertikálnej polohy. ❸

! Pred pokračovaním skontrolujte, či je kočík úplne rozložený.

Zostavenie a predných kolies

Namontujte predné kolesá na predné nohy. Potiahnutím za zostavy kolies skontrolujte, či sú kolesá pevne pripevnené. ❹ Ak chcete odmontovať predné koleso, odpojte ho od prednej nohy ❺ - 2, pričom stlačte uvoľňovacie tlačidlo. ❺ - 1

Zostavenie zadných kolies

Namontujte brzdovú zostavu na zadné nohy **6**, namontujte zadné kolesá na brzdovú zostavu **7**. Potiahnite rúrku košíka dozadu, zabaľte spojovaciu rúrku zadných nôh do chlopne úložného košíka a zapnite tri gombíky **8** - **1**.

! Potiahnutím za zostavy kolies skontrolujte, či sú kolesá pevne pripevnené.

Ak chcete odmontovať zadné koleso, odpojte ho od držiaka zadného kolesa **7** - **2**, pričom stlačte uvoľňovacie tlačidlo. **7** - **1**

Zostavte držadlo

Zarovnajcie konce držadla s držiakmi držadla a potom ich zaistíte zasunutím. **9**

Ak chcete odmontovať držadlo, stlačte uvoľňovacie tlačidlo držadla **10** - **1** a vyťahnite držadlo. **10** - **2**

Zostavenie striešky

Ak chcete zostaviť striešku, zasuňte príchytky do držiaka a pripevnite 2 páry gombíkov. **11**

i. Najskôr zapnite popruh striešky pomocou tlačidiel sklonu. **11** - **1**

II. Potom pripojte mäkkú textíliu pomocou popruhu striešky a gombíkov. **11** - **2**

Úplne zostavený kočík je zobrazený na obrázku **12**

Prevádzka kočíka

Použitie striešky

Rozopnite zips a zatlačením striešky dopredu ju rozložte. **13**

! Ak je to vhodné, pred rozložením striešky nastavte operadlo do zvislej polohy. **14**

! Ak to nie je vhodné, pred rozložením striešky zatlačte operadlo, aby ste ho nastavili do vzpriamenej polohy. **15**

Ak chcete zložiť striešku, potiahnite ju smerom dozadu.

Ak chcete odmontovať striešku, odpojte príchytky z držiaka, pričom zatlačte na upevňovací jazýček **16**, potom odpojte 2 páry gombíkov (používaných na pripojenie textílu striešky k sedačke) a zdvihnite striešku. **11**

! Po namontovaní sa neodporúča pravidelné odmontovávanie striešky.

Zmena orientácie sedačky

Orientáciu sedačky možno zmeniť, čo umožní, že matka s dieťaťom budú tvárou v tvár.

Stlačte uvoľňovacie tlačidlá sedačky a pritom nadvihnite sedačku. **17** Otočte sedačku do opačného smeru a potom vložte sedačku do držiakov sedačky. **18**

Nastavenie sklonu

Operadlo má 5 polôh.

Ak chcete sklopiť operadlo, stlačte nastavovacie tlačidlo **19** - **1** a nastavte operadlo do požadovaného uhla. **19** - **2** Ak chcete operadlo zvýšiť, zatlačte nahor.

! Skontrolujte, či je sklon nastavený správne pre používanie.

Použitie spony

Rozopnutie spony

Stlačením stredného tlačidla rozopnete sponu. **20**

Zaistenie spony

Zrovnejte sponu bedrového pásu s ramennou sponou **21** - **1** a zacvaknite do strednej spony. **21** - **2**

Zvuk „cvaknutia“ znamená, že je spona úplne zaistená. **21** - **3**

! Aby ste predišli vážnemu poraneniu v dôsledku pádu alebo vykĺznutia, vždy zaistite dieťa pomocou popruhov.

! Skontrolujte, či je dieťa pohodlne zaistené. Medzera medzi dieťaťom a ramennými popruhmi je široká asi na hrúbku jednej ruky.

! Neprekrižte ramenné pásy. Spôsobí to tlak na krk dieťaťa.

Použitie ramenných a bedrových popruhov

! Aby bolo vaše dieťa chránené pred vypadnutím, po umiestnení dieťaťa do sedadla skontrolujte, či sú ramenné a bedrové popruhy v správnej výške a či majú správnu dĺžku.

22 - **1** Kotva ramenného popruhu A

22 - **2** Kotva ramenného popruhu B

22 - **3** Posuvný nastavovací prvok

Pri väčšom dieťati použijete kotvu ramenného popruhu A a najvyššie ramenné otvory. Pri menšom dieťati použijete kotvu ramenného popruhu B a najnižšie ramenné otvory.

Ak chcete upraviť polohu kotvy ramenného popruhu, otočte kotvu tak, aby bola v rovine so stranou smerujúcou dopredu. Preveďte ju cez otvor ramenného popruhu zozadu dopredu. **23** Znova ju preveďte cez otvor, ktorý je najbližšie k výške ramena dieťaťa. **24**

Na zmenu dĺžky popruhov použijete posuvný nastavovací prvok. **25** - **1**

Stlačte tlačidlo **25** - **2** a zároveň potiahnite bedrové popruhy na správnu dĺžku. **25** - **3**

Použitie rozkrokového popruhu

Sú 2 polohy, do ktorých možno nastaviť rozkrokový popruh podľa potrieb dieťaťa.

Poloha 1 Túto polohu používajú menšie deti **26** - **1**

Poloha 2 Túto polohu používajú väčšie deti **26** - **2**

i. Vyťahnite rozkrokový popruh a umiestnite ho tak, aby bol rovno. **27** - **1** & **27** - **2**

II. Otočte kotvu rozkrokového popruhu tak, aby krátka strana smerovala dopredu, potom ju preveďte cez otvor rozkrokového popruhu. **27** - **3** & **27** - **4**

iii. Znova ju preveďte cez otvor, ktorý je najbližšie k rozkroku dieťaťa od prednej strany rozkrokového popruhu. **26**

Nastavenie lýtkovej opierky

Lýtková opierka má 2 polohy.

Zdvihnutie lýtkovej opierky

Ak chcete lýtkovú opierku zvýšiť, len ju zatlačte dohora.

Zníženie lýtkovej opierky

Stlačte nastavovacie tlačidlá na oboch stranách lýtkovej opierky **28** - **1**, a otočte lýtkovú opierku smerom nadol. **28** - **2**

Použitie predného zámku otáčania

Vysuňte predné zámky otáčania, ak chcete udržiavať smer pohybu. ²⁹

Tip Na nerovných povrchoch sa odporúča použitie zámkov otáčania.

Použitie brzdy

Stúpením na brzdovú páčku v smere nadol zablokujete kolesá. ³⁰

Ak chcete kolesá uvoľniť, zdvihnite brzdovú páčku dohora. ³¹

Tip Keď kočik stojí, vždy použite brzdú.

Nastavenie rukoväte

Rukoväť má 3 polohy.

Ak chcete nastaviť výšku rukoväte, potiahnite rukoväť nahor alebo nadol ³² - 2, pričom držte stlačené nastavovacie tlačidlo rukoväte. ³² - 1

Zloženie kočíka

! Pred zložením kočíka zložte striešku.

Stlačením rukoväte sklonu na zadnej časti operadla otočte operadlo do horizontálnej polohy. ³³

Nadvihnite skladacie tlačidlo, zošliapnite skladací pedál a zložte kočik jeho zatlačením dopredu ³³.

Západka úložného priestoru sa automaticky zachytí o držiak úložného priestoru a potom bude kočik zložený a úplne zaistený. ³⁴

Použitie príslušenstva

Príslušenstvo sa môže predávať samostatne alebo nemusí byť k dispozícii v závislosti od oblasti.

Použitie s detskou autosedačkou Joie

Pri použití s detskou autosedačkou Joie gemm, iGem 2, iLevel, i-Snug si pozrite nasledujúce pokyny.

1. Ak chcete pripevniť adaptér, umiestnite adaptér na držiaky, ako je zobrazené na obrázku ³⁵, Zvuk „cvaknutia“ znamená, že je adaptér úplne zaistený. ³⁶
2. Ak chcete pripevniť detskú autosedačku, položte detskú autosedačku na adaptér, ako je zobrazené na obrázku ³⁷, Zvuk „cvaknutia“ znamená, že je detská autosedačka úplne zaistená. ³⁸
3. Ak chcete vybrať detskú autosedačku, zdvihnite detskú autosedačku nahor ³⁹ - 2, pričom majte stlačené dve tlačidlá na uvoľnenie upevnenia kočíka A. ³⁹ - 1

! Pri akýchkoľvek problémoch s používaním kočíka a adaptéra si pozrite ich návody na použitie.

! Ak chcete vybrať adaptér, nadvihnite ho nahor ⁴⁰ - 2, pričom majte stlačené dve uvoľňovacie tlačidlá. ⁴⁰ - 1

! Vybratý adaptér je zobrazený na obrázku ⁴¹

! Pri pripájaní detskej autosedačky neskladajte kočik.

Použitie Chrome prenosnej postielky

Zostavenie prenosnej postielky

1. Roztiahnite drôtenú podperu na oboch stranách prenosnej postielky ⁴², potom zacvaknite drôt do štyroch plastových dielov, zvuk „cvaknutia“ znamená, že je drôtená podpera zaistená. ⁴² - 1
Vložte matrac do prenosnej postielky, ⁴³ a urovňajte ho. ⁴³ - 1

! Pri používaní prenosnej postielky vždy používajte matrac.

! Kryt matraca sa dá ľahko vybrať kvôli praniu.

2. Nastavenie striešky prenosnej postielky

Rozložte striešku a zaistite ju potiahnutím predného konca. ⁴⁴

Zložte striešku stlačením skladacích tlačidiel na oboch stranách. ⁴⁴ - 1

3. Zostavenie prikrývky prenosnej postielky

Položte prikrývku na prenosnú postieľku a pripevnite 5 párov háčikových a pútkových upínačov. ⁴⁵ - 1

Kompletne zostavená prenosná postieľka je zobrazená na obrázku ⁴⁵

Pripojenie prenosnej postielky na rám

Zarovnajte boky prenosnej postielky s adaptérom na ráme.

Zatlačte prenosnú postieľku priamo nadol tak, aby zacvakla na miesto. ⁴⁶

Zvuk cvaknutia znamená, že je prenosná postieľka úplne zostavená. ⁴⁷

! Pred použitím prenosnej postielky vždy vyberte adaptéry.

! Pri pripájaní prenosnej postielky neskladajte kočik.

Odmontovanie prenosnej postielky

Stlačte uvoľňovacie tlačidlá na oboch bokoch prenosnej postielky ⁴⁸ - 1 a potom ju zdvihnite dohora. ⁴⁸ - 2

Použitie prikrývky fusaku

Mäkká prikrývka fusaku môže dieťaťu poskytnúť teplé a príjemné prostredie na spanie.

Zostavte prikrývku fusaku podľa týchto krokov.

1. Pred zostavením prikrývky fusaku nastavte lýtkovú opierku a operadlo jednotlivu do vodorovnej a sklopenej polohy. ⁴⁹

2. Prikryte lýtkovú opierku prikrývkou fusaku. ⁵⁰

Zostavená prikrývka fusaku je zobrazená na obrázku ⁵¹

Použitie krytu proti dažďu

Ak chcete zostaviť kryt proti dažďu, umiestnite ho nad kočik. ⁵²

! Pred použitím krytu proti dažďu sa uistite, že je sedačka pripútaná.

! Pri používaní krytu proti dažďu vždy skontrolujte vetranie.

! Keď sa nepoužíva, pred zložením skontrolujte, či je kryt proti dažďu vyčistený a vysušený.

! Neskladajte kočik po namontovaní krytu proti dažďu.

! V horúcom počasí nedávajte svoje dieťa do kočíka s namontovaným krytom proti dažďu.

! Na použitie pod dozorom dospelé osoby. Nepoužívajte na kočíku bez plátennej striešky.

Použitie podšívky sedačky

pozrite si obrázky ⁵³

Použitie krytu podušky ramenných popruhov a krytu podušky rozkrokového popruhu

Kryt podušky ramenných popruhov alebo kryt podušky rozkrokového popruhu sa dá vybrať z popruhov. Jednoducho obráťte tieto kroky, ak budete chcieť znova zostaviť kryt podušky ramenných popruhov a rozkrokového popruhu.

Starostlivosť a údržba

- ! Vyberateľné čalúnenie sedačky možno prať v studenej vode a sušiť vyvesením a odkvapkaním. Nepoužívajte bielicidlo.
- ! Na čistenie rámu kočíka používajte len domáce mydlo a teplú vodu. Žiadne bielicidlo ani čistiaci prostriedok.
- ! Občas skontrolujte, či na kočíku nie sú povolené skrutky, opotrebované súčasti, roztrhnutý alebo rozpáraný materiál. Tieto súčasti vymeňte alebo opravte.
- ! Nadmerné vystavenie slnečnému žiareniu alebo teplu môže spôsobiť vyblednutie alebo deformáciu častí.
- ! Ak je kočík vlhký, rozotrite striešku a nechajte ho pred uskladnením dôkladne vysušiť.
- ! Ak kolesá pískajú, použite jemný olej (napr. silikónový sprej, antikoróznny olej alebo olej do šijacieho stroja). Je dôležité, aby sa olej dostal do zostavy osky a kolesa. 🛠️
- ! Pri používaní kočíka na pláži ho po použití úplne vyčistíte, aby ste odstránili piesok a soľ z mechanizmov a zostáv kolies.

Поздравляем Вас с тем, что Вы присоединились к семье Joie! Мы очень рады быть частью путешествия Вашего малыша. Во время прогулок с Joie Chrome™ Вы используете высококачественную, полностью сертифицированную комбинированную коляску с трансформируемым кузовом, соответствующую Европейским стандартам безопасности EN 1888-2:2018 и может использоваться вместе с люлькой-переноской, соответствующей EN 1466:2014/АС:2015. Данное изделие предназначено для детей весом до 22 кг или возрастом до 4 лет (в зависимости от того, что наступит раньше). Внимательно прочитайте данное руководство по эксплуатации и следуйте всем пунктам для обеспечения комфортной поездки и лучшей защиты для Вашего ребенка.

ВНИМАНИЕ - сохраняйте руководство по эксплуатации для дальнейшего использования.

Посетите наш сайт joiebaby.com, чтобы скачать инструкции и увидеть больше интересных товаров Joie.

Для получения информации по гарантии, пожалуйста, посетите наш сайт joiebaby.com

Срок службы изделия - 3 года Гарантийный срок - 1 год.

По вопросам гарантийного обслуживания в РФ и РБ Беларусь - help@infanta-co.ru.

Обеспечено хранение в сухом и проветриваемом помещении.

Содержание

Изображения	1-10
Предостережения	159
Сборка коляски	160
Открытие коляски	160
Сборка передних колес	161
Сборка задних колес	161
Сборка капюшона	161
Сборка бампера	161
Использование коляски	161
Поворот сидения	161
Регулирование наклона спинки	161
Использование пряжки	161
Использование плечевых и поясных ремней безопасности	162
Использование 5-точечных ремней безопасности	162
Регулировка подножки	162
Использование фиксатора передних колес	162
Использование тормоза	163
Регулировка ручки	163
Складывание коляски	163
Использование аксессуаров	163
Обслуживание и уход	164

Непредвиденные случаи

В случае чрезвычайной ситуации или аварии важнейшим является оказание своевременной первой доврачебной и медицинской помощи Вашему ребенку.

Информация о товаре

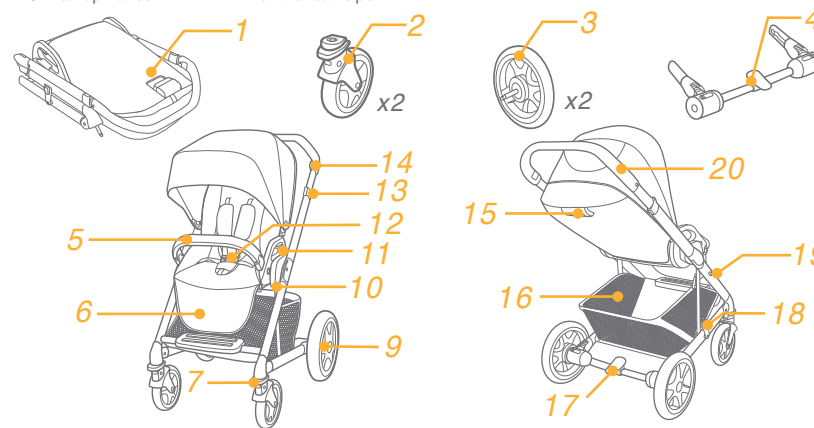
Перед началом использования обязательно прочтите все инструкции в настоящем руководстве по эксплуатации. Если у Вас возникли дополнительные вопросы, обратитесь к продавцу. Некоторые детали могут отличаться в зависимости от модели.

Наименование	Chrome	Изготовитель
Пригодно для	Данное изделие предназначено для детей весом до 22 кг или возрастом до 4 лет (в зависимости от того, что наступит раньше).	1. China Bambino Prezioso Co., Ltd 2. China Wonderland Nurserygoods Co.,LTD * см. Изготовителя на этикетке Изделия ** на коробке возможна маркировка Allison GmbH (европейское подразделение компании)
Материал	Пластик, металл, ткань	
Патент	В ожидании патента	
Произведено в	Китае	
Торговая марка	Joie	
Вебсайт	www.joiebaby.com	

ПЕРЕЧЕНЬ ДЕТАЛЕЙ

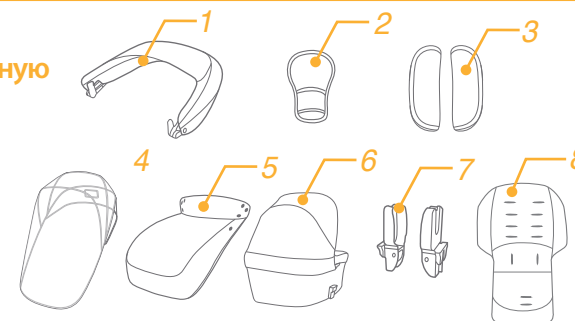
Перед сборкой убедитесь, что все составляющие части имеются в наличии. В случае отсутствия какой-либо детали комплектации - обратитесь к продавцу. Инструменты для сборки не требуются.

- | | | | |
|------------------------|-----------------------------|-------------------------------|--------------------------------|
| 1 Каркас коляски | 8 Переднее колесо | 14 Кнопка складывания | 18-19 |
| 2 Переднее колесо (X2) | 9 Заднее колесо | 15 Кнопка регулирования ручки | Фиксаторы сложенного состояния |
| 3 Заднее колесо (X2) | 10 Опора сидения | 16 Корзинка | 20 Ручка |
| 4 Тормозной механизм | 11 Кнопка фиксатора сидения | 17 Тормозной рычаг | |
| 5 Бампер | 12 Пряжка | | |
| 6 Подножка | 13 Плечевые ремни | | |
| 7 Фиксатор колес | | | |



АКСЕССУАРЫ (не включены в основную комплектацию)

- Капюшон
- Паховая накладка
- Плечевые ремни
- Дождвик
- Накидка для ног
- Люлька
- Адаптер
- Подушка сидения



ПРЕДОСТЕРЕЖЕНИЯ

- ! Всегда используйте 5-точечные ремни безопасности (межножные, поясные и плечевые).
- ! Перед использованием убедитесь, что все фиксирующие механизмы защелкнуты.
- ! Не позволяйте ребенку играть с коляской.
- ! **ВНИМАНИЕ:** Перед использованием убедитесь, что сиденье или крепления автокресла надежно зафиксированы на раме коляски
- ! Сборка коляски должна выполняться взрослыми.
- ! Использование коляски с ребенком весом более 22 кг может привести к повреждению коляски.
- ! Не кладите более 4,5 кг в корзину – это может стать причиной опасной нестабильности коляски.
- ! **ВНИМАНИЕ!** Никогда не оставляйте Вашего ребенка без присмотра. Всегда держите ребенка в поле зрения, когда он находится в коляске.
- ! Сажайте в коляску только одного ребенка. Никогда не вешайте сумки, пакеты или посторонние вещи на ручку или на капюшон коляски.
- ! Перегрузка, неправильное складывание или использование комплектующих деталей других производителей может привести к повреждению, поломке или небезопасности коляски. Обязательно внимательно прочитайте руководство по эксплуатации.
- ! Никогда не пользуйтесь коляской с комплектующими деталями от других производителей.
- ! Прочтите все инструкции в данном руководстве перед эксплуатацией коляски.
- ! Сохраняйте руководство по эксплуатации для дальнейшего использования. Несоблюдение данных инструкций и предостережений может стать причиной серьезных травм или смерти.
- ! Ремни безопасности и системы фиксации должны использоваться правильно.
- ! Всегда используйте ремни безопасности, чтобы не допустить серьезных повреждений ребенка от падения или сползания с коляски.
- ! Убедитесь, что ваш ребенок защищен от движущихся частей коляски при ее регулировке.
- ! Ребенок может выскользнуть из коляски и пострадать от удушья, если не используются ремни безопасности.
- ! Никогда не пользуйтесь коляской на лестницах и эскалаторах.
- ! Избегайте воздействия высокой температуры, жидкостей и электроприборов.
- ! Никогда не позволяйте Вашему ребенку стоять в коляске или сидеть против хода движения коляски.
- ! Никогда не оставляйте коляску на дорогах, склонах и других опасных участках.
- ! Перед использованием проверьте, чтобы все комплектующие детали коляски были собраны и закреплены надлежащим образом.
- ! Во избежание удушья, никогда не вешайте ребенку на шею посторонние предметы с завязками, не подвешивайте их к коляске и не прикрепляйте веревки к игрушкам.
- ! Чтобы коляска не перевернулась, не ставьте ничего на ручку коляски.
- ! Не поднимайте коляску, когда в ней находится ребенок.

- ! Никогда не используйте корзину в качестве переноски для ребенка.
- ! Во избежание опрокидывания, никогда не позволяйте ребенку залезать в коляску самому. Всегда самостоятельно поднимайте Вашего ребенка для посадки в коляску и высадки из нее.
- ! Во избежание защемления пальцев, будьте внимательны во время складывания и раскладывания коляски.
- ! Удостоверьтесь, что коляска полностью сложена или разложена, прежде чем разрешить ребенку приблизиться к ней.
- ! В целях безопасности Вашего ребенка, перед использованием коляски удостоверьтесь, что все механизмы закреплены.
- ! Во избежание удушья всегда проверяйте, чтобы Ваш ребенок был свободен от капюшона коляски.
- ! Всегда фиксируйте тормоза при парковке коляски.
- ! Не пользуйтесь коляской, если она повреждена или сломана.
- ! Данная коляска предназначена для использования только со скоростью ходьбы и не рассчитана на бег.
- ! Во избежание удушья, перед использованием удалите с коляски всю пластиковую упаковку. Пластиковые пакеты и другие упаковочные материалы необходимо держать вдали от детей.
- ! Эта коляска не предназначена для использования во время бега или катания на коньках.
- ! Детская складная прогулочная коляска разработана для использования с рождения. Если коляска используется как переноска для новорожденных, рекомендуется откинуть спинку на максимум.
- ! Перед посадкой/высадкой ребенка, необходимо зафиксировать стояночный тормоз коляски.
- ! Переноска подходит только для ребенка, который не может самостоятельно сидеть и переворачиваться, а также не может подниматься на руки и колени. Максимально допустимый вес ребенка 9 кг.
- ! Переноску можно использовать только для кратковременного сна ребенка.
- ! В случае использования коляски в качестве автокресла, она не может заменить кровать. Если ребенку нужно спать, данную коляску следует заменить подходящей коляской или детской кроваткой.
- ! Никогда не используйте аксессуары, запасные части или детали, если они не были произведены или рекомендованы производителем.
- ! Данное изделие предназначено для детей весом до 22 кг или возрастом до 4 лет (в зависимости от того, что наступит раньше).

Сборка коляски

Перед сборкой и использованием коляски полностью прочтите руководство по эксплуатации.

Открытие коляски

Разъедините фиксаторы сложенного состояния. ❶ Затем поверните ручку вверх. ❷, Звук щелчка означает, что коляска полностью открылась. Поверните спинку в вертикальное положение. ❸

- ! Перед тем как продолжить, проверьте, чтобы коляска была полностью открыта.

Сборка передних колес

Вставьте передние колеса в передние ножки коляски. Проверьте, чтобы колеса были надежно закреплены, потянув их на себя. **4**

Чтобы отсоединить переднее колесо, вытяните его из передней ножки коляски **5 - 2** нажатием кнопки фиксатора. **5 - 1**

Сборка задних колес

Присоедините тормозной механизм к задним ножкам. **6**, Затем прикрепите задние колеса к тормозному механизму. **7** Потяните корзину назад, соедините трубку задних ножек с клапаном корзины и защелкните 3 кнопки. **8 - 1**.

! Убедитесь, что колеса надежно закреплены, потянув их на себя.

Чтобы разобрать заднее колесо, отсоедините его от опоры задних колес **7 - 2** нажатием кнопки фиксатора. **7 - 1**

Сборка капюшона

Вставьте фиксаторы капюшона в место соединения. Затем прикрепите задний клапан к спинке с помощью 4 эластичных петель. **9**

Чтобы отсоединить капюшон, снимите эластичные петли **10 - 1** выньте зажимы из креплений, нажав на фиксатор. **10 - 2**

Сборка бампера

Выверните концы бампера с подходящими фиксирующими отверстиями и вставьте до щелчка. **11**. Чтобы отсоединить бампер, нажмите пусковую кнопку **11 - 1** и затем вытяните бампер. **11 - 2**

12 Полностью собранная коляска показана на рисунке.

Использование коляски

Использование козырька

Чтобы раскрыть козырек, потяните его вперед. **13**

! Перед тем как раскрывать козырек, установите спинку в вертикальное положение, если это удобно. **14**

! Если не удобно установить спинку в вертикальное положение, перед тем как раскрывать козырек, нажмите на спинку. **15**

Чтобы сложить козырек, потяните его назад. **16**

! После установки не рекомендуется слишком часто снимать козырек.

Поворот сидения

Сидение можно повернуть так, чтобы мать и ребенок находились лицом друг к другу. Зажмите фиксирующие кнопки сидения, поднимая сидение. **17** Поверните сидение в обратном направлении и вставьте его в опору сидения. **18**

Регулировка наклона спинки

Позиции для спинки включают 5 положения наклона.

Чтобы опустить спинку, зажмите кнопку регулировки наклона **19 - 1** затем установите спинку в желаемое положение. **19 - 2**

Чтобы поднять спинку, подтолкните ее вверх.

! Перед использованием убедитесь, что уровень наклона спинки установлен правильно.

Использование пряжки

Чтобы расстегнуть пряжку, нажмите на центральную кнопку. **20**

Чтобы застегнуть пряжку, соедините поясную и плечевую пряжки. **21 - 1** Защелкните их с центральной пряжкой. **21 - 2** Звук щелчка означает, что пряжка полностью застегнута. **21 - 3**

! Чтобы избежать серьезных травм, вызванных падением или сползанием, обязательно фиксируйте Вашего ребенка ремнями безопасности.

! Убедитесь, что ваш ребенок надежно и плотно пристегнут. Пространство между ребенком и плечевым ремнем безопасности должно соответствовать примерно толщине ладони.

! Не перекрещивайте плечевые ремни безопасности. Они могут давить на шею ребёнка.

Использование плечевого и поясного ремней безопасности

! С целью предотвращения выпадения ребенка из коляски, посадив ребенка на место, проверьте высоту и длину ремней безопасности.

22 - 1 Якорь плечевого ремня безопасности А

22 - 2 Якорь плечевого ремня безопасности В

22 - 3 Регулятор

Для крупного ребенка используйте якорь А и самые высокие отверстия для плечевых ремней. Для меньшего ребенка используйте якорь В и самые низкие отверстия для плечевых ремней.

Для регулировки положения якоря плечевого ремня, поверните якорь так, чтобы он был на одном уровне со стороной, обращенной вперед. Проденьте его через отверстие для плечевого ремня от спинки к передней части

23 Повторно проденьте его сквозь отверстие, которое по высоте ближе всех к плечам ребёнка. **24**

Используйте регулятор для изменения длины ремней. **25 - 1**

Когда протягиваете поясной ремень безопасности до нужной длины **25 - 2** нажмите кнопку, как показано на рисунке **25 - 3**

Использование межножных ремней безопасности

Межножные привязные ремни можно использовать в 2 положениях, отрегулированных в соответствии с разными требованиями.

Положение 1 применяется для детей меньшего размера. **26 - 1**

Положение 2 применяется для крупных детей. **26 - 2**

Вытяните ремни и выровняйте их. **27 - 1** & **27 - 2**

Поверните якорь межножных ремней, чтобы короткая сторона была впереди, затем проденьте его сквозь отверстие. **27 - 3** & **27 - 4**

Проденьте его еще раз через отверстие, которое находится ближе всех к ребенку от передней стороны ремней. **26**

Регулировка подножки

У подножки 2 положения.

Чтобы поднять подножку, просто толкните ее вперед.

Чтобы опустить подножку, нажмите на кнопки регулировки по обе стороны подножки **28 - 1** и поверните ее вниз. **28 - 2**

Использование фиксатора передних колес

Толкните фиксатор передних колес вверх, чтобы удерживать направление движения. **29**

Совет

Рекомендуется фиксировать колеса на неровных поверхностях.

Использование тормоза

Чтобы зафиксировать колеса, нажмите на педаль тормоза. **30**

Поднимите рычаг тормоза, чтобы отпустить колеса. **31**

Совет Всегда используйте тормоз, когда коляска стоит.

Регулировка ручки

Ручку можно установить в 3 позиции. Чтобы отрегулировать высоту ручки, потяните ее вверх или вниз **32 - 2** нажимая на кнопку регулировки ручки. **32 - 1**

Складывание коляски

! Перед складыванием коляски сверните капюшон.

Зажмите кнопку складывания. **33** Нажмите на педаль закрытия. **33 - 1**, Толкните коляску вперед, чтобы сложить ее. **33 - 2** Фиксатор автоматически закрывается, и коляска будет полностью сложена и закрыта. **34**

Использование аксессуаров

Аксессуары могут продаваться отдельно, или их может не быть в наличии - в зависимости от региона.

Использование с авто-люлькой Joie

При использовании автолюльки Joie Gemm, iGemm, iLevel, i-Snug следуйте инструкциям.

1. Чтобы прикрепить адаптер, поместите его на фиксаторы, как показано на **35** Звук щелчка означает, что адаптер полностью зафиксирован. **36**
2. Чтобы присоединить люльку, поместите ее на адаптер так, как показано на **37** Звук щелчка означает, что люлька полностью зафиксирована. **38**
3. Чтобы снять люльку, поднимите ее вверх **39 - 1** нажимая на 2 кнопки разблокировки коляски. **39 - 2**

! При возникновении проблем с использованием коляски с адаптером, см. руководство по их эксплуатации.

! Чтобы отсоединить адаптер, поднимите его вверх **40 - 1**

! Нажимая на 2 пусковые кнопки. Как снять адаптер, показано на рис. **41**

! Не складывайте коляску с авто-люлькой.

Использование Chrome Carry Cot

Сборка люльки

1. Откройте проволочную опору с обеих сторон люльки. **42** Затем защелкните опору в 4 пластиковые части. Звук щелчка означает, что проволочная опора надежно закреплена. **42 - 1**

! Положите матрас в люльку **43** и расправьте его. **43 - 1**

! Всегда кладите матрас при использовании люльки.

! Покрытие матраса легко снимается для стирки.

2. Регулировка капюшона люльки

Откройте капюшон и потяните передний конец, чтобы закрепить. **44**

Закройте капюшон, нажав на кнопки закрытия по обеим сторонам. **44 - 1**

3. Сборка полога люльки

Поместите полог над люлькой, затем застегните 5 пар липучек. **45 - 1**

Полностью собранная люлька показана на **45**

Чтобы присоединить люльку к шасси коляски, выровняйте стороны люльки с адаптерами на раме. Положите

люльку прямо в них до щелчка. **46**

Звук щелчка означает, что люлька полностью собрана. **47**

! Всегда убирайте адаптеры перед использованием люльки.

! Не складывайте коляску с люлькой.

Чтобы снять люльку, нажмите кнопки разблокировки с обеих сторон люльки. **48 - 1**, Затем поднимите ее вверх. **48 - 2**

Использование накидки для ног

Мягкая накидка на ноги обеспечит тепло и комфорт Вашему ребенку.

Чтобы прикрепить накидку на коляску, выполните следующие действия:

1. Расстегните накидку и поместите ее над сидением. Проденьте межножные, плечевые и поясные 5-точечные ремни безопасности сквозь соответствующие отверстия в чехле. **49**
2. Проденьте липучки сверху накидки сквозь спинку, затем закрепите их на тыльной стороне спинки. **50**
3. Усадите ребенка в накидку, застегните пряжку ремней безопасности и застегните чехол. Прикрепленная накидка на ноги показана на рисунке **51**

Использование дождевика

Для закрепления дождевика, поместите его над коляской, затем прикрепите его к подлокотнику с помощью 4 пар застежек-липучек. **52**

! Перед использованием дождевика убедитесь, что спинка установлена в самое низкое положение, и что сидение закреплено.

! При использовании дождевика всегда проверяйте его вентиляцию.

! Когда дождевик не используется, проверьте, чтобы он был чистый и сухой перед тем, как его складывать.

! Не складывайте коляску с дождевиком.

! Не сажайте ребенка в коляску с дождевиком в жаркую погоду.

Использование вкладыша для сидения

См. изображение **53**

Использование накладок на плечевой и поясной ремни

Накладки на плечевой и поясной ремни легко снимаются.

Повторите действия в обратном порядке для снятия накладок с ремней.

Обслуживание и уход

! Съемную подушку сиденья можно стирать в холодной воде и сушить, не выжимая. Не используйте отбеливатель.

! Чтобы очистить раму коляски, используйте мыло и теплую воду. Не используйте отбеливатель или моющее средство.

! Время от времени проверяйте коляску на предмет раскрутившихся болтов, изношенных деталей, порванного материала или разошедшихся швов. При необходимости замените или отремонтируйте непригодные части.

! Воздействие солнечных лучей или высоких температур может привести к выцветанию или деформации деталей.

! Если коляска намочена, откройте капюшон и просушите ее, перед тем как убрать на хранение.

! Если скрипят колеса, используйте жидкое масло (например, силиконовый спрей, антикоррозийное масло или масло для швейных машин). Важно, чтобы масло попало на ось и колесо в сборе. **54**

! После использования коляски на побережье, полностью очистите ее, чтобы удалить песок и соль с механизмов и колес



Joie™

Allison GmbH
Adam-Opel-Straße 21 67227
Frankenthal

bring the kids™

Share the joy at joiebaby.com

P-IM0120S