

little hampton  
wardrobe

user guide

important!  
retain for future reference –  
read carefully

# 1 important notes

Please take a few minutes to read this user guide.

Lay the parts out and compare to the PARTS CHECKLIST below. Do not discard any packaging until you are sure that you have all the parts.

This furniture is provided with an anti-topple device for securing to a wall. Failure to use this could result in the furniture toppling onto a child.

2 competent people are required to assemble this wardrobe.

# 2 parts checklist

10 screws 7 x 50mm



12 dowels 7.6 x 36mm



35 dowels 8 x 36mm



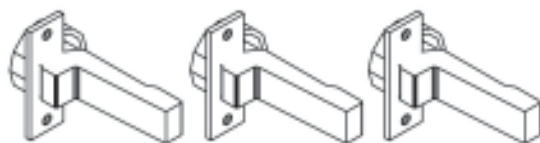
24 cams



24 cam screws



3 door hinges



3 hinge plates



12 shelf brackets



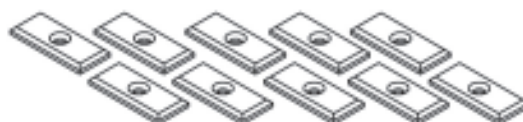
1 door handle



2 drawer handles



10 back panel plates



46 cross head screws 3 x 16mm



12 cross head screws 3 x 20mm



6 cross head screws 4 x 16mm



5 domed head screws M4 x 25mm



1 strap



1 base



2 sides (left and right)



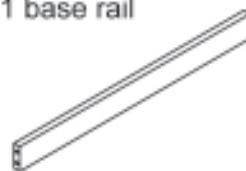
1 door



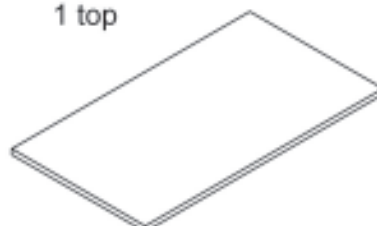
2 washers



1 base rail



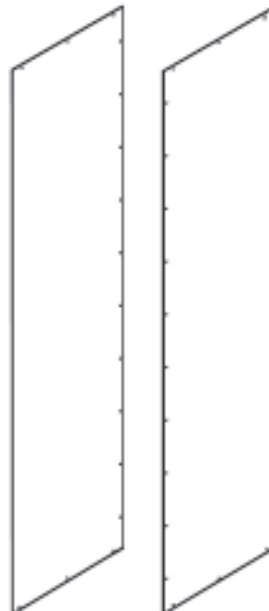
1 top



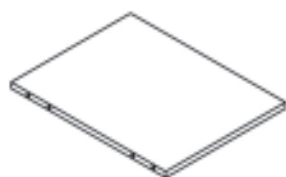
1 centre panel



2 back panels



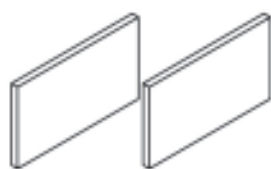
1 bottom shelf



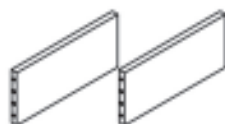
2 hanging rails



2 drawer fronts



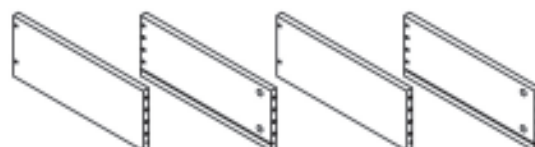
2 drawer backs



3 shelves



4 drawer sides



2 drawer bases



### tools required:

1 allen key (provided)  
driver

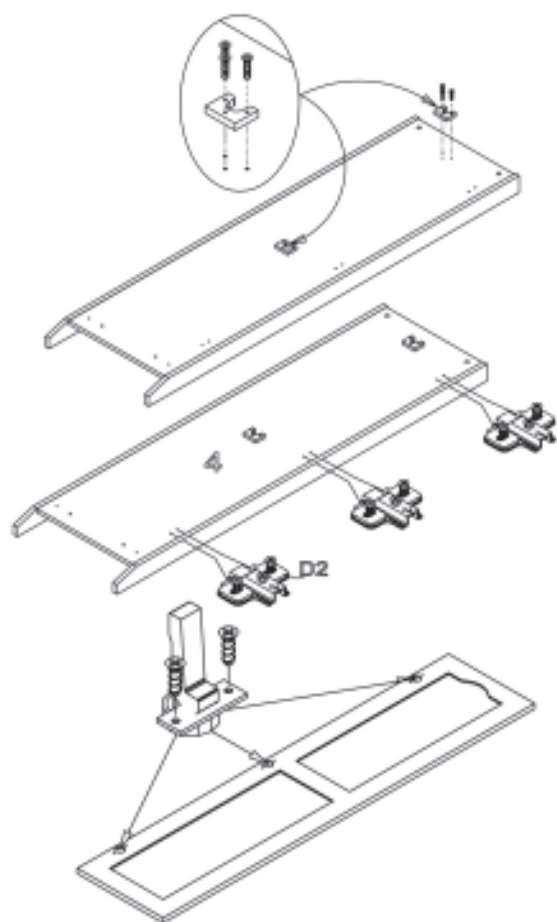


1 cross head screw



## attaching the hinges and hanging rail brackets

1



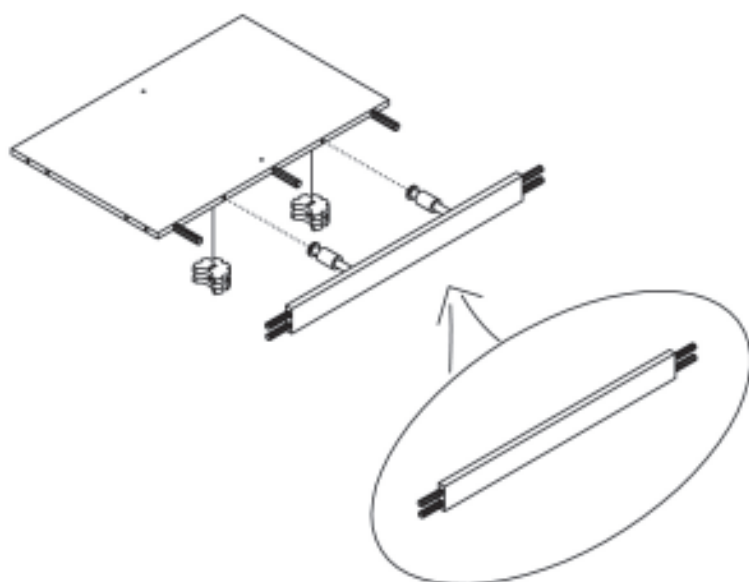
Attach the hanging rail brackets to the right hand side using 6, 3.5 x 25mm screws.

Attach the hinge plates to the right hand side.

Attach the hinges to the door using 4, 4 x 16mm screws

## attaching the base rail to the base

2



Insert 4, 7.6 x 36mm dowels in to ends of the base rail.

Insert 2 cam screws in to the base rail

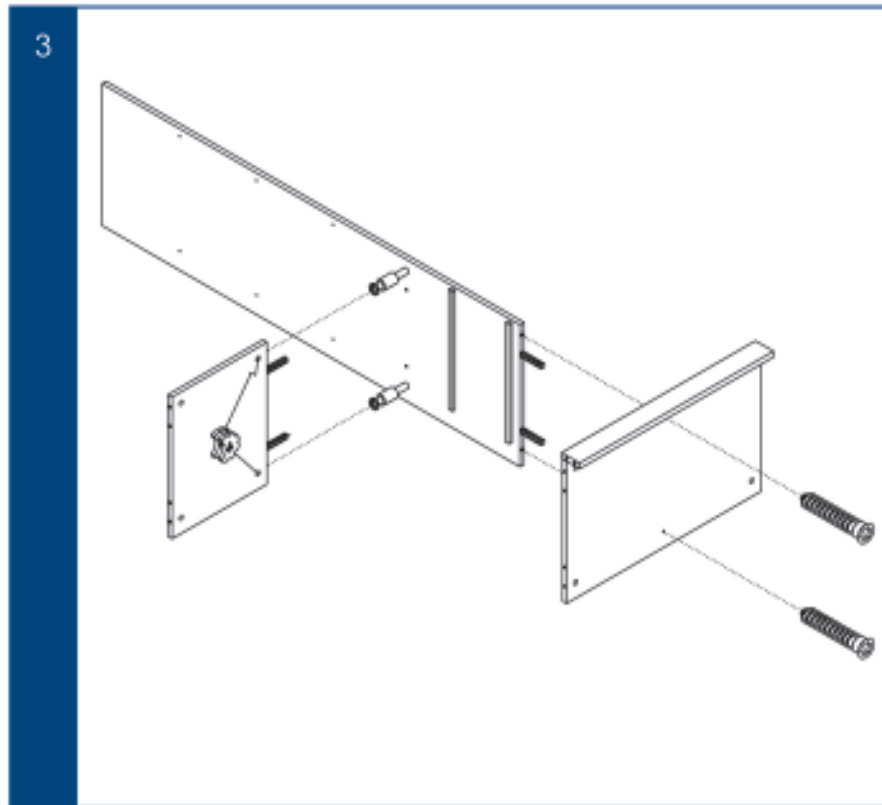
Insert 3 8 x 36mm dowels in to the base

Insert 2 cams in to the base

Locate the base rail in to the corresponding pre-drilled holes of the base and firmly push together.

Lock the 2 cams in place using the cross head screw driver by turning these in a clockwise direction 180 degrees.

## attaching the center panel to the base and bottom shelf



Insert 2, 8 x 36mm dowels in to the bottom shelf and the center panel

Insert 2 cam screws in to the center panel

Insert 2 cams in to the bottom shelf

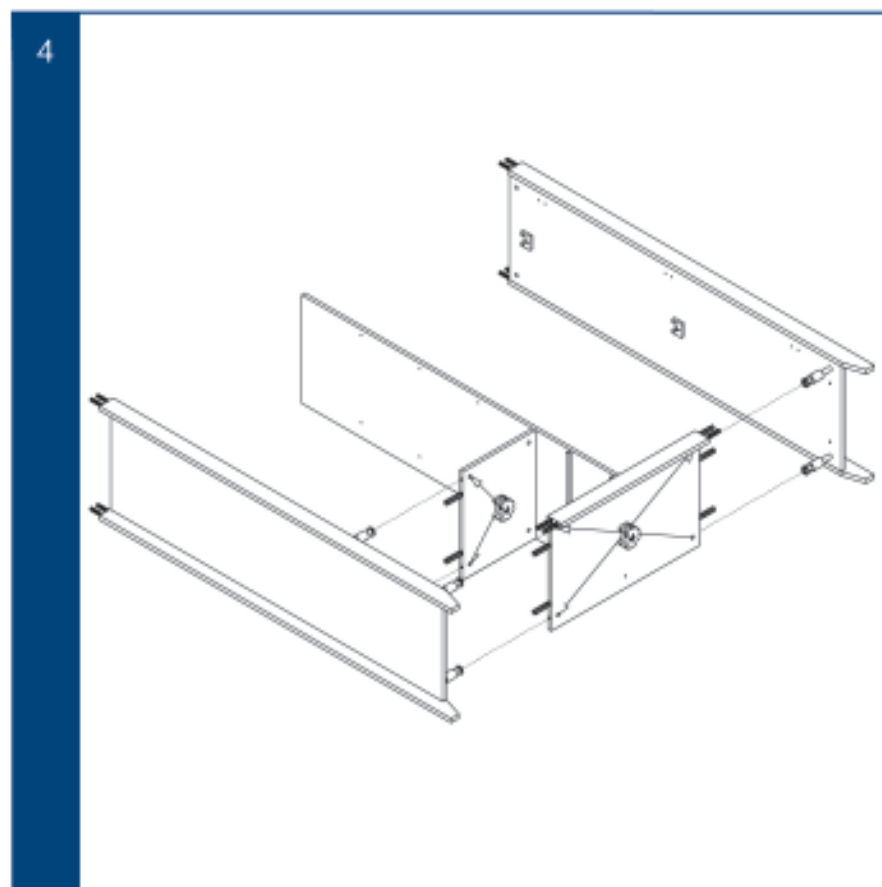
Locate the bottom shelf in to the corresponding pre-drilled holes of the center panel and firmly push together.

Lock the 2 cams in place using the cross head screw driver by turning these in a clockwise direction 180 degrees.

Locate the base in to the corresponding pre-drilled holes of the center panel and firmly push together.

Secure in place using 2, 7 x 50mm screws using the Allen key provided.

## attaching the sides



Insert 6, 8 x 36mm dowels in to the bottom shelf and the base.

Insert 8, 7.6 x 36mm dowels in to the top of the sides.

Insert 6 cam screws in to the sides

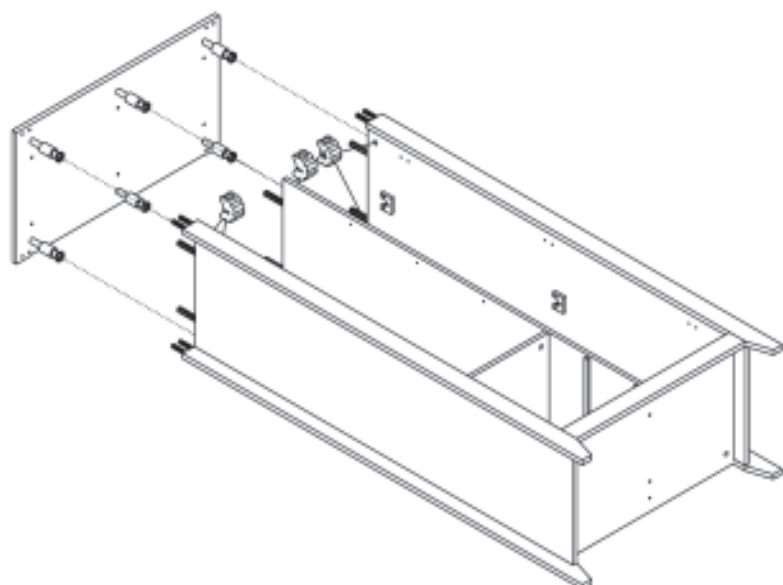
Insert 6 cams in to the bottom shelf and base.

Locate the sides in to the corresponding pre-drilled holes of the bottom shelf and base and firmly push together.

Lock the 6 cams in place using the cross head screw driver by turning these in a clockwise direction 180 degrees.

## attaching the top

5



Insert 6, 8 x 36mm dowels in to the sides and center panel.

Insert 6 cam screws in to the top

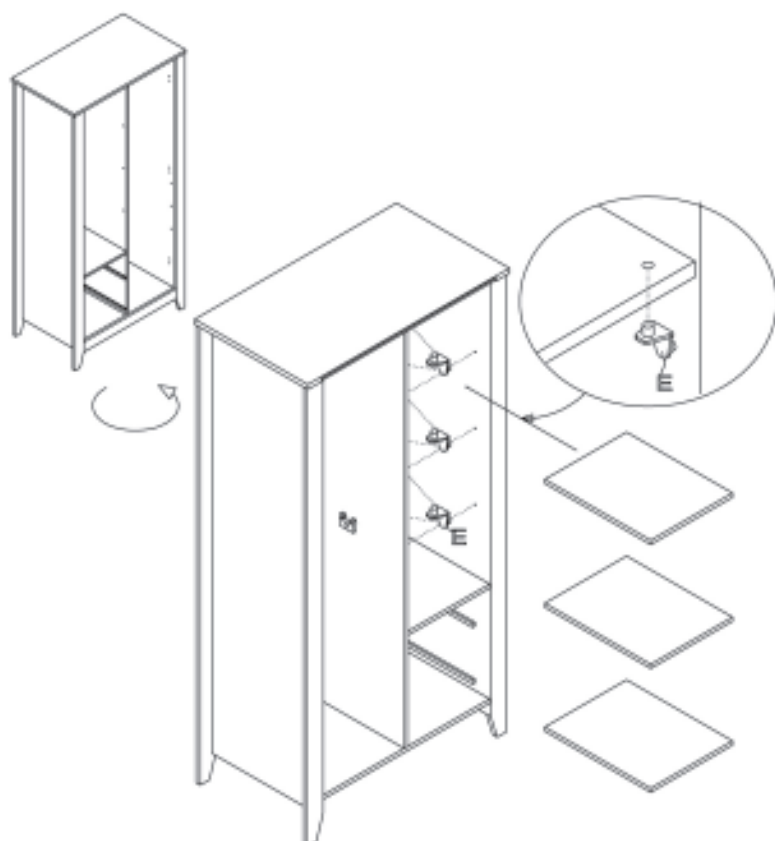
Insert 6 cams in to the sides and center panel.

Locate the top in to the corresponding pre-drilled holes in the sides and center panel. and firmly push together.

Lock the 6 cams in place using the cross head screw driver by turning these in a clockwise direction 180 degrees.

## attaching the shelf brackets and shelves

6

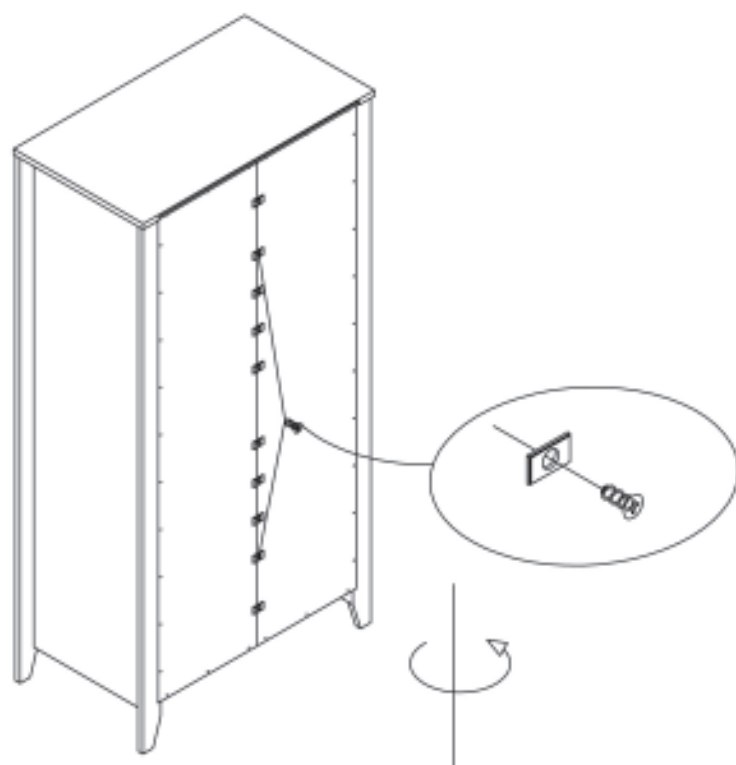


Insert the 12 shelf brackets in to their corresponding pre-drilled holes in the side and center panel.

Place the 3 shelves on to the brackets by locating the brackets in to their corresponding pre-drilled holes on the under-side of the shelves.

## attaching the back panels

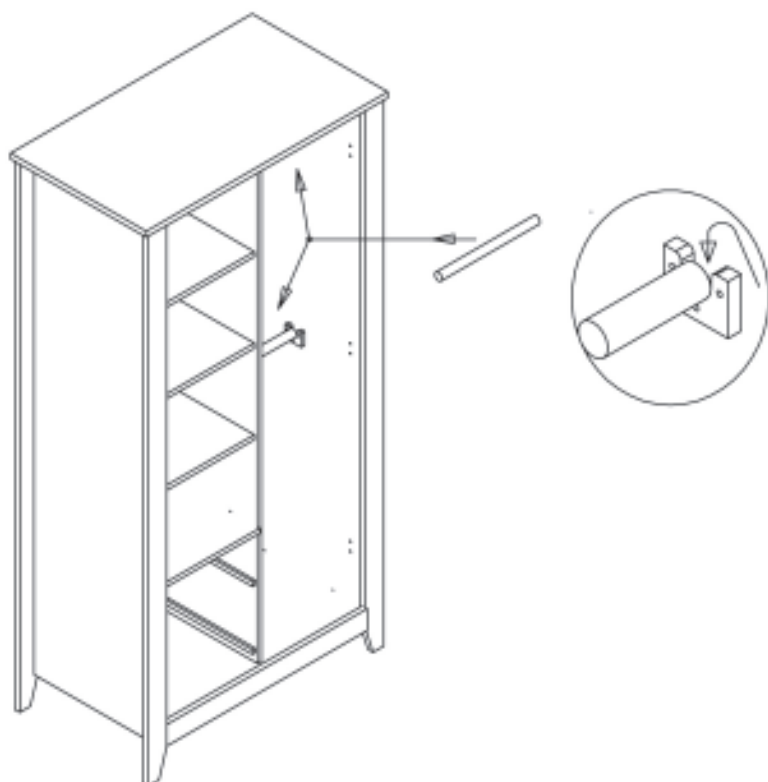
7



Attach the 2 back panels to the back of the wardrobe using 46, 3 x 16mm cross head screws and the 10 back panel plates

## attaching the hanging rails

8

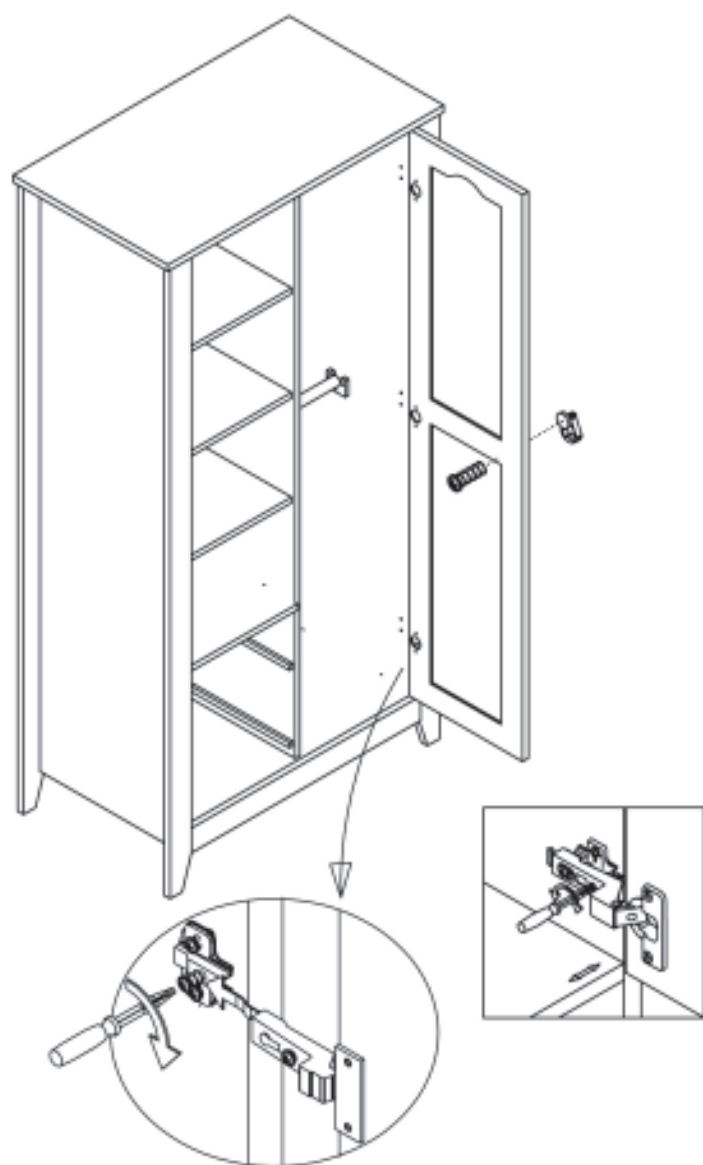


Insert the hanging rails in to the hanging rail brackets



## attaching the door and door handles

9



Attach the wardrobe door by sliding the door hinges on to the hinge plates. Secure the hinges in place by tightening the locating screw on the hinge plate using a cross head screw driver.

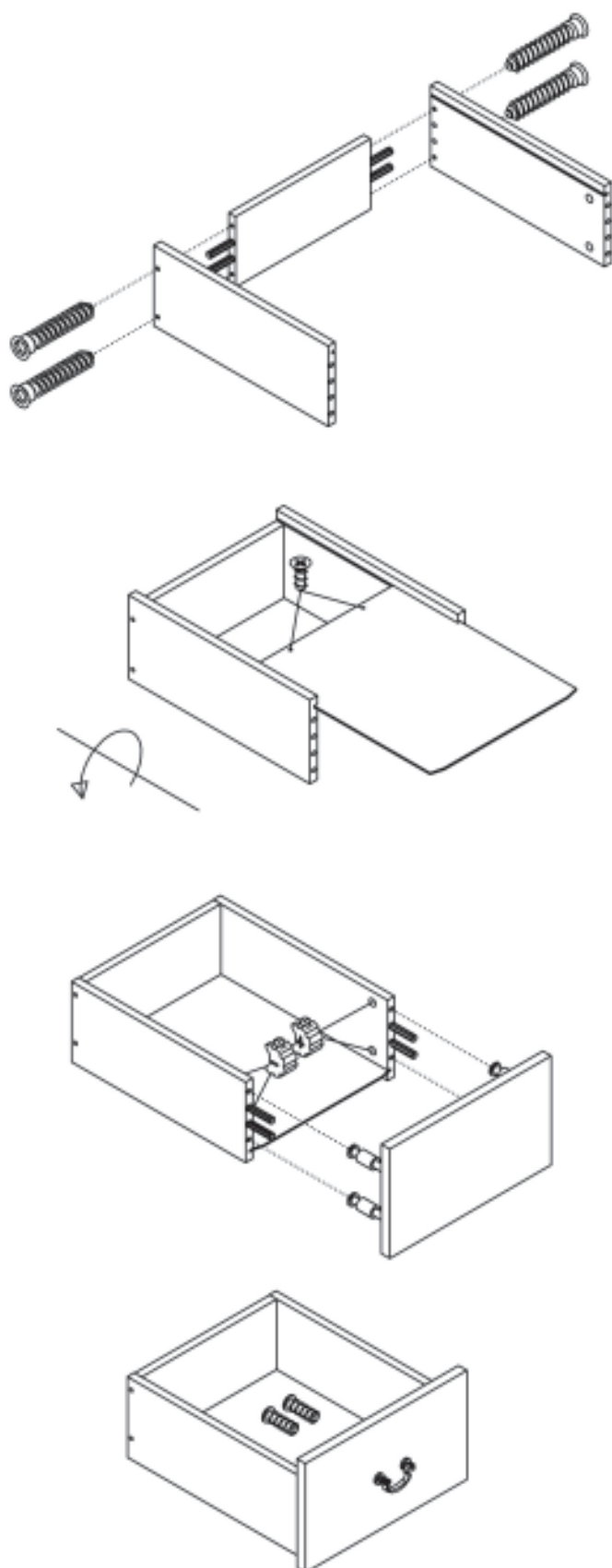
Picture 10

Attach the door handle to the wardrobe doors using 1, M4 x 25mm domed head screw.

The wardrobe door may require adjustment to align correctly. The hinges have an adjustment screw which when turned clockwise allows the gap between the door and the centre panel to decrease. Turning the screw anti-clockwise will increase the gap between the door and the centre panel. Make small adjustments and visibly check the results and repeat on each hinge until the doors are aligned correctly.

## assembling the drawers

10



Insert 4, 8 x 36 dowels in to the drawers backs.

Insert 2 dowels in to each of the drawer sides.

Attach the drawer back to the drawer sides by inserting the dowels in to their pre-drilled holes and pushing firmly together. Secure using 4, 7 x 50mm screws tightening with the Allen key provided.

Slide the drawer base along the grooves and push firmly in to place.

Insert 4 cam screws in to the drawer front. Attach the drawer front by pushing firmly the drawer base in the groove on the drawer front. Align the dowels and cam screws to their corresponding pre-drilled holes and firmly in place.

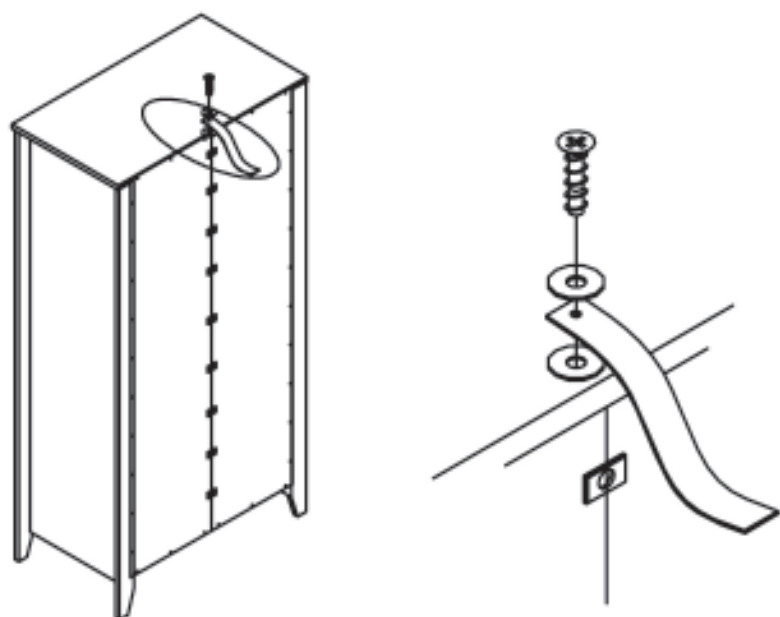
Insert 4 cams in to their pre-drilled holes and lock in place using the cross head screw driver by turning these in a clockwise direction 180 degrees.

Attach the handles to the drawers using 2 M4 x 25mm domed head screws for each drawer.

Locate the drawers in the base unit by carefully aligning the rear drawer runner wheels on to the front runner wheels of the base unit. Slide drawers in base.

attaching the strap - optional:

11



THE LITTLE HAMPTON WARDROBE IS SUPPLIED WITH AN ANTI-TOPPLE DEVICE THAT SECURES TO THE WALL. FAILURE TO USE THIS COULD RESULT IN THE FURNITURE TOPPLING OVER. WE RECOMMEND THAT YOU USE THIS SAFETY DEVICE.

Using 1, 3 x 16mm screw, 2 washers and strap, fix to the rear of the wardrobe as indicated in the diagram using a cross head screw driver.

The loose end of the strap requires fixing to the wall where the furniture will be positioned. Certain wall materials require different types of mounting hardware (e.g. plastic rawl plugs, plasterboard rawl plugs). Select mounting hardware suitable for the walls in your home. If you are unsure what type of mounting hardware required please consult your local DIY store for advice.

4

## care and safety

- Periodically check all fittings to ensure that none have come loose.
- The wardrobe must be set up on an even stable surface.
- Clean your wardrobe using a damp cloth and drying with a soft cloth. Never clean with abrasives, chemical cleaners or household polishes.
- Keep away from direct sources of heat, such as electric, gas or coal fires.
- Take care when handling or moving the wardrobe. Careless handling can damage wooden furniture.

5

## customer care

If you have a problem with this product or require replacement parts, please contact your nearest Mothercare store or telephone the Mothercare customer care line on 08453 30 40 30.

Alternatively write to: Customer Care, Mothercare, Cherry Tree Road, Watford, Herts, WD24 6SH.

[www.mothercare.com](http://www.mothercare.com)