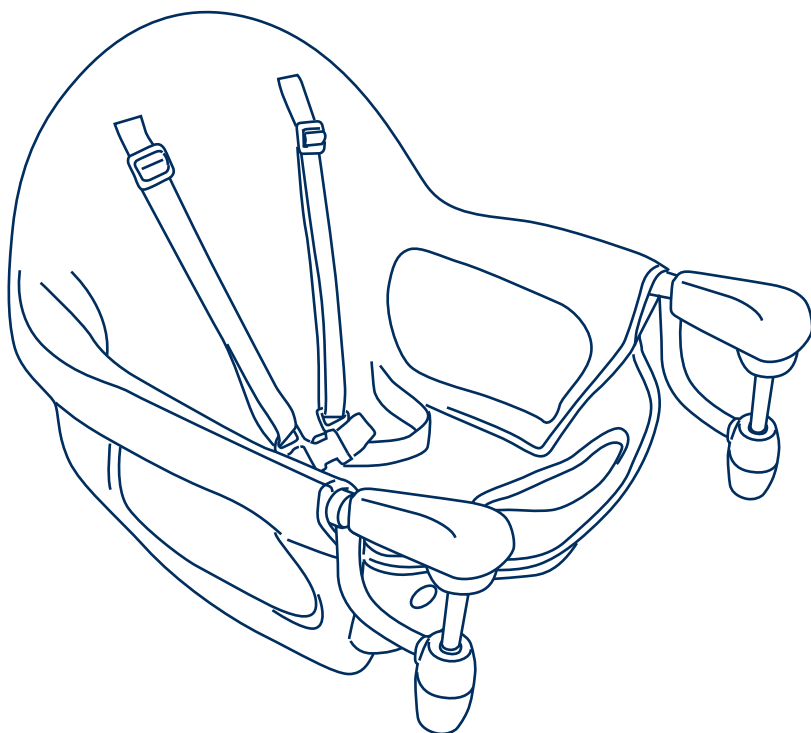




indicator
table seat
user guide



Read the instructions carefully before use and keep them for future reference. Your child may be hurt if you do not follow the instructions.

introduction

This table mounting seat allows your child to sit with you when using a table, by securing onto the edge of the table* and features coloured pressure indicators to show when the seat is sufficiently tight on the table.

Suitable for children who can sit unaided (around six to nine months) to 15 kg.

* Refer to the safety notes on page 5 for information on suitable tables before using the table mounting chair.

parts checklist

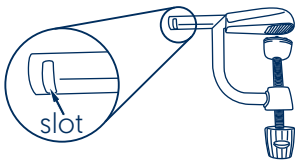
WARNING! Keep plastic coverings away from children to avoid suffocation. It is recommended that you arrange the parts as shown below for assembly.

fig 1a



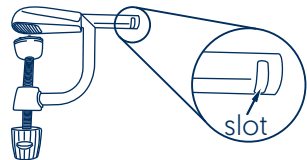
seat & frame

fig 1b



clamp arm
(right side)

fig 1c

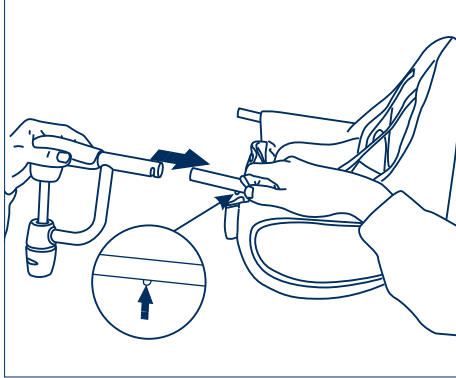


clamp arm
(left side)

preparation for use

frame assembly

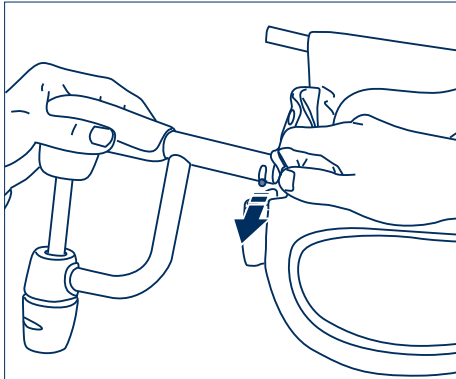
fig 2



Lay the frame and clamp arms out as shown in fig 1, noting the position of the slots in the clamp arms.

Press the silver button under the left side of the seat frame then slide the left clamp arm (fig 1c) on to the tube.

fig 3

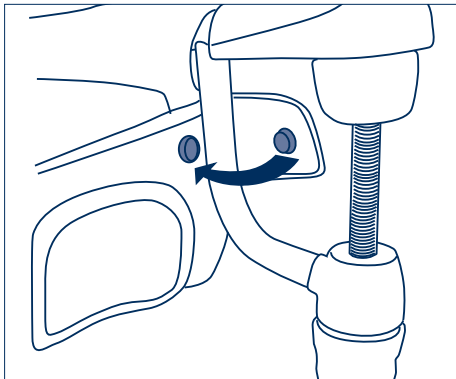


Push the clamp arm on until the silver button fits through the slot as shown left.

Repeat for the right clamp arm (fig 1b).

Once fitted, the clamp arms must be able to fold as shown in the upper diagram on page 3.

fig 4

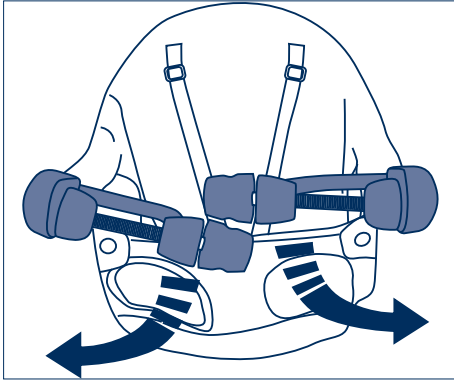


Wrap each of the fabric flaps around the clamp arms and fasten the press studs.

preparation for use

fitting to the table

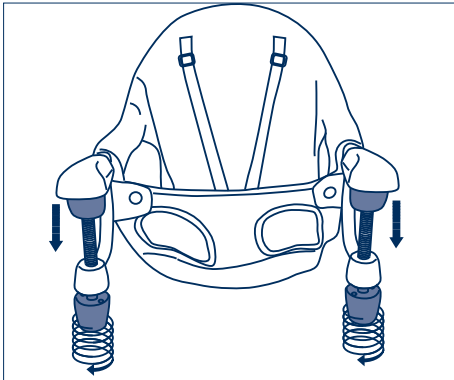
fig 5



Before fitting to any table, ensure you have read the table safety information in the safety notes section on page 5 of this user guide.

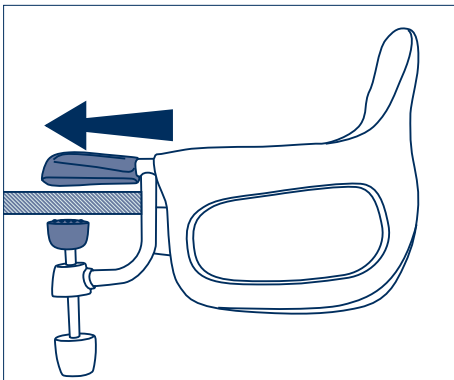
Open the assembled frame out as shown.

fig 6



Unscrew both clamps to suit the thickness of table (18mm (3/4") to 50mm (2")) that the indicator table seat will be fitted to.

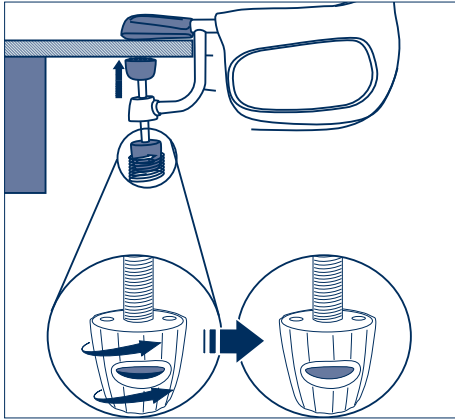
fig 7



Slide the indicator table seat on to the table until the edge of the table is touching the vertical tubes as shown.

preparation for use

fig 8



Screw both clamps upwards until they contact the underside of the table.

Check that the seat has not moved, then continue tightening the clamps until the pressure indicators show only green in the windows on the knobs, as indicated left.

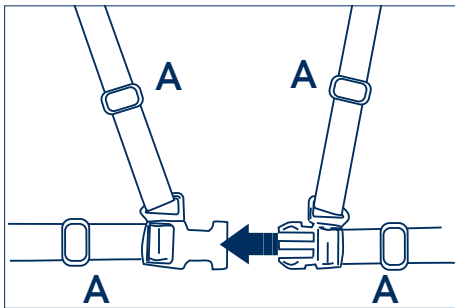
Regularly check that the clamps have not loosened and that the upper pads remain secure, and re-adjust as necessary.

Caution: Do not overtighten as this may cause damage to your table or the clamps.

in use

the harness

fig 9

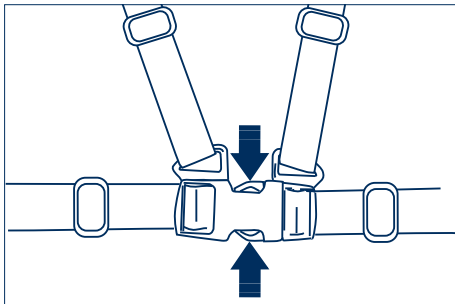


To fasten

Insert the fastener securely into the clasp.

The length of the shoulder and waist straps can be adjusted using adjusters A.

fig 10



To release

Squeeze the prongs together to release the harness.

Your child should always be harnessed in and should never be left unattended even for short periods.

care of your product

- If the indicator table seat is left secured to a table for a prolonged period, it might leave marks on the table surface. It is advisable to remove the seat from the table when not in use.
- The seat fabric can be cleaned in accordance with the care instructions on the seat.
- The seat frame can be cleaned by sponging with warm water and a mild detergent. A mild disinfectant may be used. Stubborn marks may be removed with a non-abrasive cream cleaner. Never clean with abrasive, ammonia based, bleach based or spirit type cleaners.
- Periodically check for damage and discontinue use if any part is damaged or broken.

safety notes

- **WARNING! YOUR CHILD'S SAFETY IS YOUR RESPONSIBILITY**
- **WARNING!** Never leave the child unattended in this table seat, even for the shortest time.
- The table seat must be fully secured on the table before placing a child inside.
- The table surface should be between 18 mm (3/4") and 50 mm (2") thick, and be free of cracks, splits or defects liable to affect its strength.
- Check that the table will not tip when the table seat attached to it is in use.
- Do not use on glass topped tables, tables with loose table tops, table leaves, single pedestal tables, card tables or camping tables.
- Do not use tablecloths or other objects on the support surface which might interfere with the proper functioning of the anchoring elements.
- Keep the table structure and surface clean and dry.
- The table seat is not suitable for children who cannot sit unaided.
- The table seat shall not be used by children weighing more than 15kg.
- Routinely check the clamping screws and re-tighten them, if required. Check also the upper pads.
- Do not attach the table seat where the child might use its feet to push against a part of the table, another chair or any other structure, as this could cause the table seat to come off the table.
- Ensure the harness is correctly fitted and adjusted at all times.
- **WARNING!** Do not use the table seat if any part is broken or missing.
- Do not use replacement parts other than those approved by Mothercare.
- Ensure that anyone using this table seat is aware of these instructions.