

your child's safety is your responsibility

if you have a problem with this product or require replacement parts, please contact your nearest Mothercare store or telephone the Mothercare customer care line on 08453 30 40 30

Alternatively write to:

Customer Care
Mothercare
Cherry Tree Road
Watford
Herts. WD24 6SH

www.mothercare.com

la seguridad de su niño es su responsabilidad

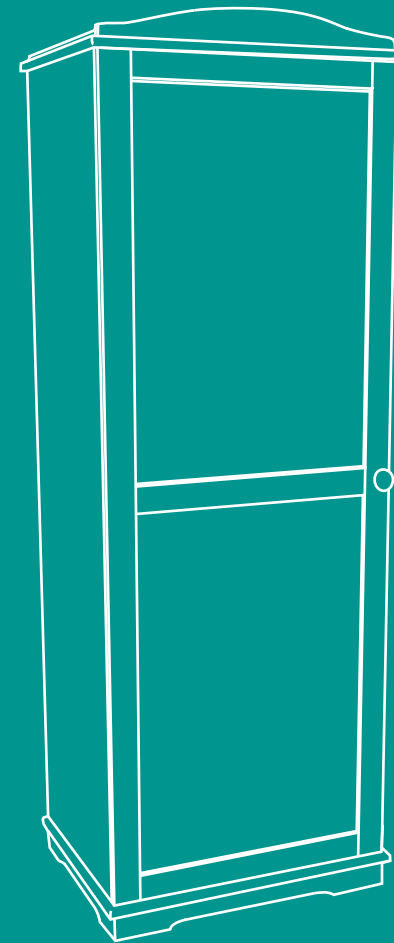
Si surgiera algún problema con éste producto o si piezas de recambio sirviese ponerse en contacto con el almacén Mothercare más próximo o llamar a la línea de Atención al Cliente de Mothercare número (+44) 1923 210 210

También puede escribir a:

Customer Care
Mothercare
Cherry Tree Road
Watford
Herts. WD24 6SH
England

www.mothercare.com

mothercare



hereford wardrobe
user guide

important. keep for future
reference

Guía para el usuario
importante. retenga para referen-
cia futura

The hereford wardrobe has an adjustable shelf unit and internal hanging rail.

Este armario "Hereford" esta hecho de pino macizo y tiene un estantería ajustable y un riel para colgar interno.

Please take a few minutes to read this user guide.

Lay parts out on the floor and compare to the parts checklist (on page 2 & 3).

Do not discard any packaging until you are sure that you have all the parts.

Please note that timber is a natural product. The colour will darken with age.

Por favor, tomese unos minutos en leer esta guía de usuario.

Coloque las piezas en el suelo para comparar con la eista de piezas (en pagina 2 & 3).

Por favor notese que madera es un producto natural. Con el tiempo, su color se oscure cera.

Door



Puerta

Left Side



Lado Izquierdo

Right Side



Lado Derecho

Top Panel



Panel Superior

Bottom Panel



Panel Bajo

Middle Rail



Riel Central

Top Shelf



Estantería Superior

Bottom Shelf




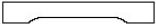
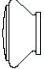
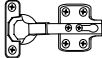



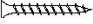


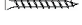
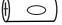




Estantería Baja

Front Bar

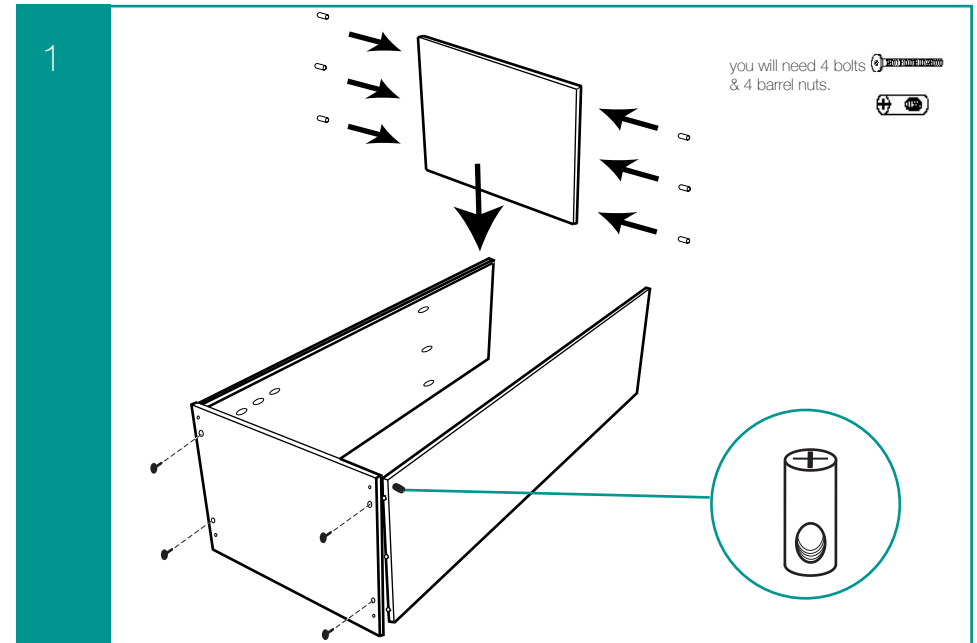


Barra Frontal 2

2 Side Bars		2 Barra Lateral
Middle Rail		Riel Central
Foot - Front panel		Pie - Panel Frontal
Foot - Side Panel		Pie - Panel Lateral
Door Knob		Pomo de la Puerta
Door Hinge		Bisagra de la Puerta
Rail & Fixtures		Riel
Allen Key		Liave Allen
20 Dowels		Topes da Madera
12 Wood Screws		Tornillos de Madera
4 Support Pins		Clavija de Soporte
8 Bolts		Tornillos
6 Short Screws		Tornillos Cortos
8 Barrel Nuts		Tuerca Cilindrica
Screw		Tornillos

 You will need a "Phillips" screwdriver

attaching the sides and fixed shelf • sujecion de los lados y la estantería



To attach side panels to bottom panel insert the four barrel nuts inside as shown. Pass four bolts through bottom panel and tighten into barrel nuts with allen key provided.

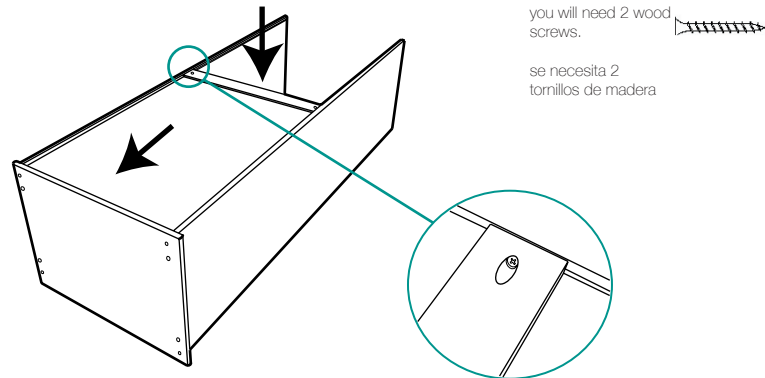
Insert 6 dowels into top shelf and slot into side panels.

1 spanish - paragraph changed to above.

Inserte los 6 topes de madera al la estantería superior y encajar a los laterales.

attaching the back panels

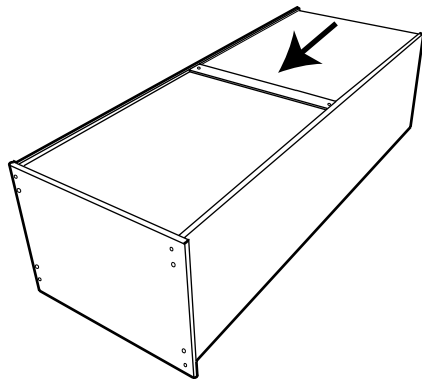
2



Slide back panel into the side grooves, then slot in middle rail and screw in 2 wood screws.

Deslize el panel el trasero pou las ranuras laterals. meta el rail central y attrnillar los 2 tornillos.

3

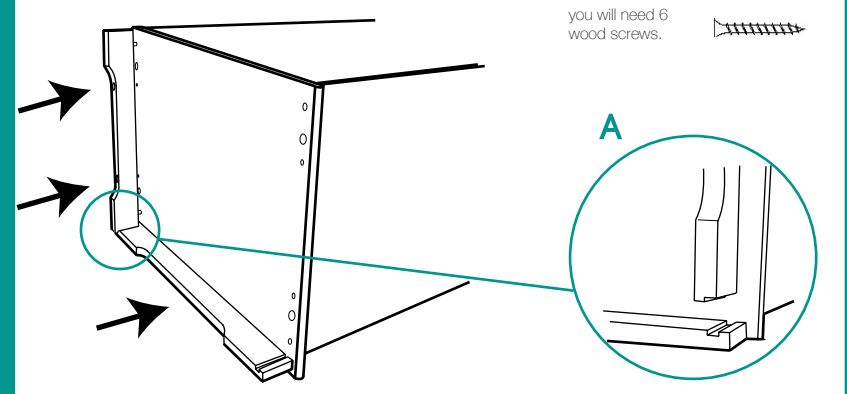


Slide the remaining back panel into the side grooves.
Delize el ultimo panel trasero a las ranuras laterals.

5

attaching the feet

4

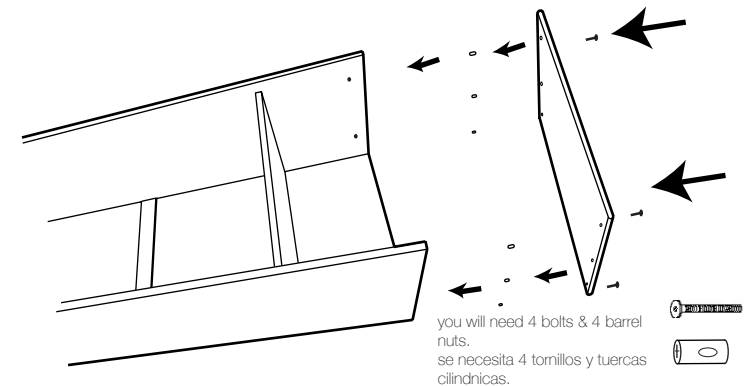


Using 6 wood screws, screw in front-foot panel and 2 side foot-panels into the bottom base and tighten. Slot 2 side-foot panels into grooves on the front-foot panel (A).

Utilizando los 6 tornillos destomillerfuiete el panel frontal base y los 2 paneles laterals base la base. Metoq los 2 paneles laterals base en las ranuras en el panel frontal base.

attaching the top panel

5



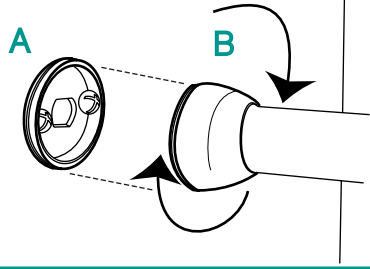
Attach top panel, by threading 4 bolts through the top panel and tightening into the barrel nuts which should be inserted on the inside of the side panels.

Ate la etantaria superior utilizando los 4 tornillos destomillar los 4 tornillos por el base.

6

attaching the rail

6

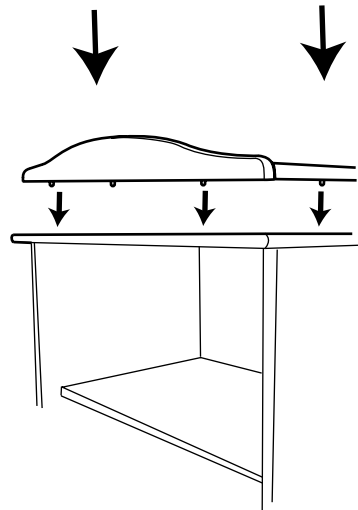


Attach the threaded fixture (A) to the inside panels. Then align this with the cross rail and tighten into position (B).

Ate la fijaja A al panel interior. Alinear esta pieza con el riel y atomillarla en posición B.

attaching the front & side bar

7



Fix 3 dowels onto the front bar and 4 dowels onto the 2 side bars and attach to top panel.

Fijelos 3 lopes de madera a la barra frontal, y los 4 lopes de madrea a la barra lateral y ate a la estantería.

7

inserting the shelf

8

you will need 4 support pins.

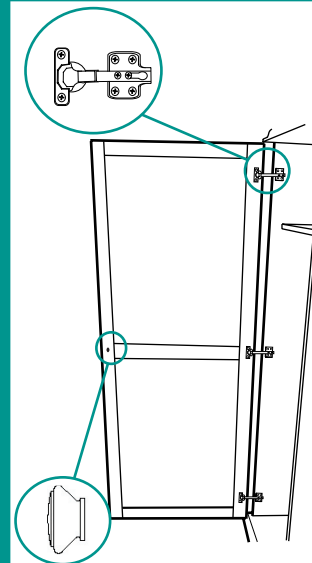


Insert the free moving shelf by placing 2 support pins into the pre-bored holes on the inside of both panels.

There are 5 height positions available.

attaching the door & door knob

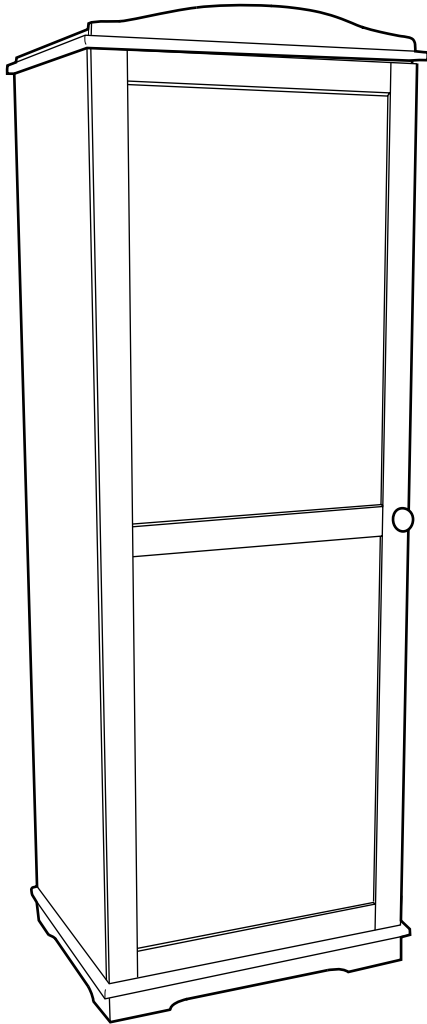
9



Attach 3 hinges using 6 short screws onto the door and screw into wardrobe side panel.

Attach the door knob by threading the screw provided through the inside of the door panel and tighten into the door knob.

8



The wardrobe is now complete, please read the following notes to maintain the unit to its highest standard.

- Periodically check all fittings to ensure none have come loose, and that there is no risk of clothing or parts of the body becoming snagged or trapped.
- If any part is missing or broken, do not use the wardrobe until the correct spare part has been obtained from Mothercare.
- Your wardrobe can be cleaned by wiping with a damp cloth and drying with a soft clean cloth.
- Do not use abrasives, bleach, alcohol or ammonia based household polishes.
- Take care when handling or moving the wardrobe. Careless handling can damage wooden furniture.

- The wardrobe must be used on a level and stable surface.
- Once assembled, do not dismantle.
- Strong heat sources e.g. open, electric or gas fires in the vicinity of the wardrobe may be dangerous if placed near the wardrobe.
- You must discourage your child from playing around this wardrobe as it is not a toy.

6

cuidado del producto

7

medidas de seguridad