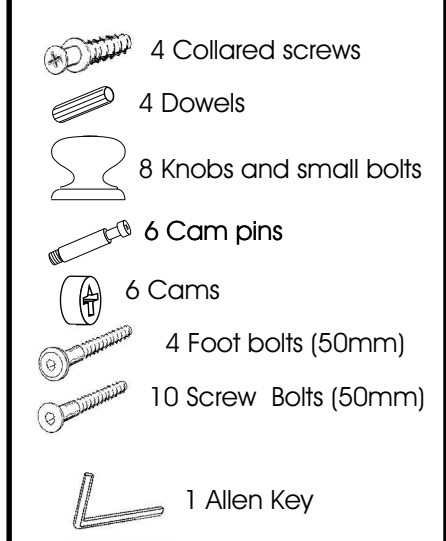
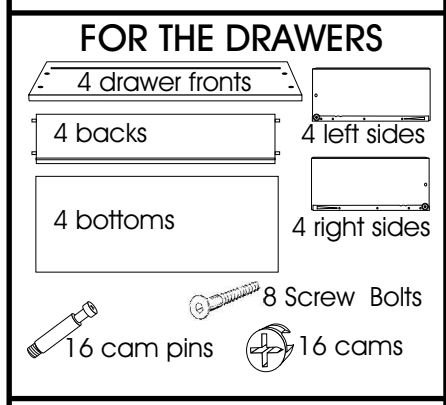
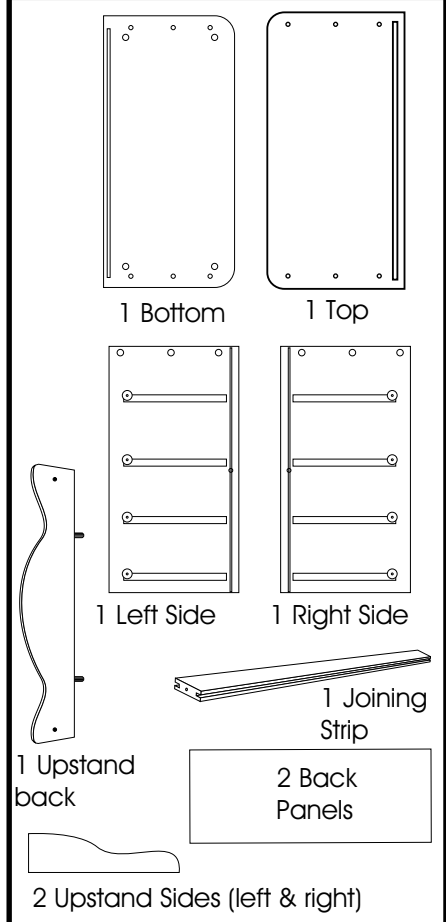


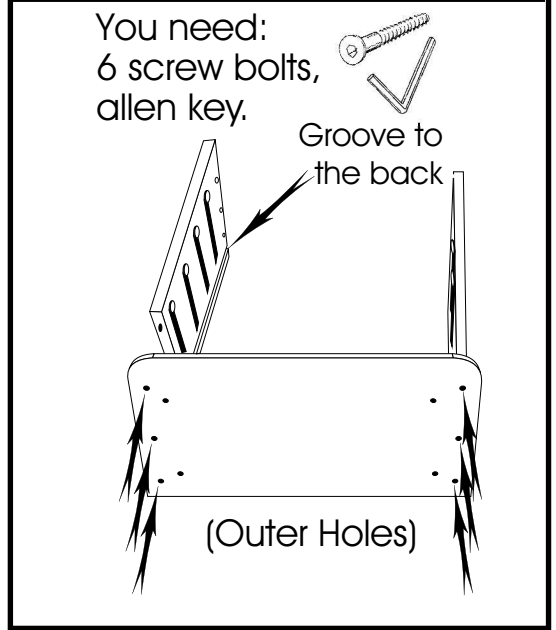
1. Parts Checklist



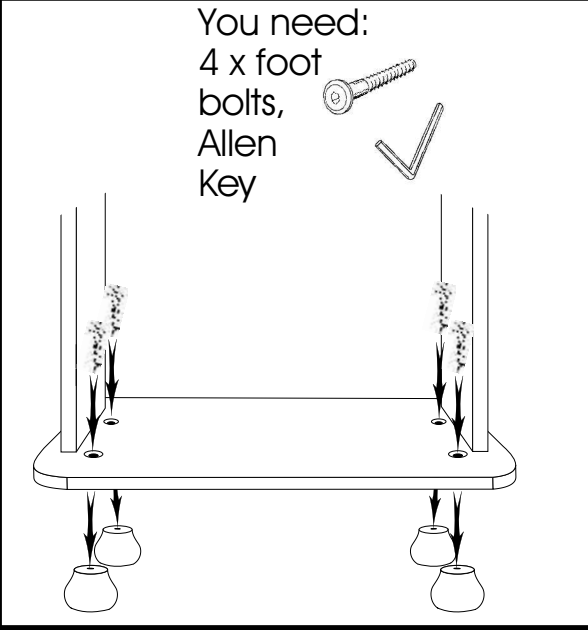
IMPORTANT:-
Please Take a few moments to lay the parts out on a smooth surface and check that you have all those listed in the Parts checklist.

Please do not dispose of any packaging until you are sure that you have everything.

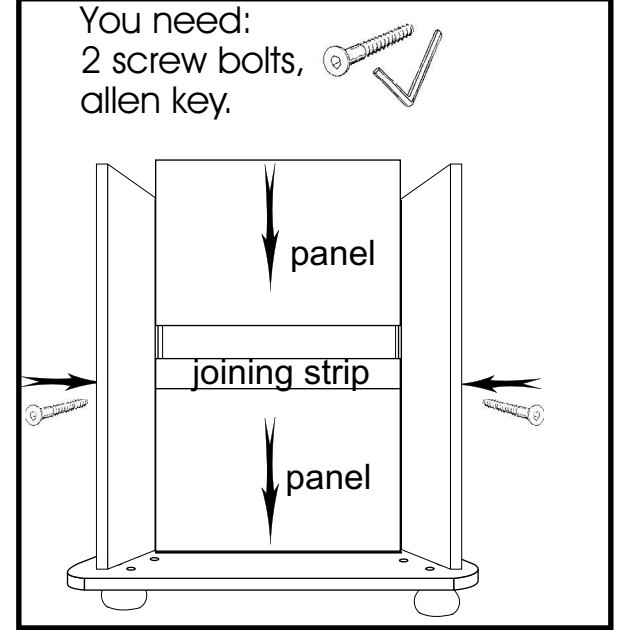
2. Attach bottom to sides



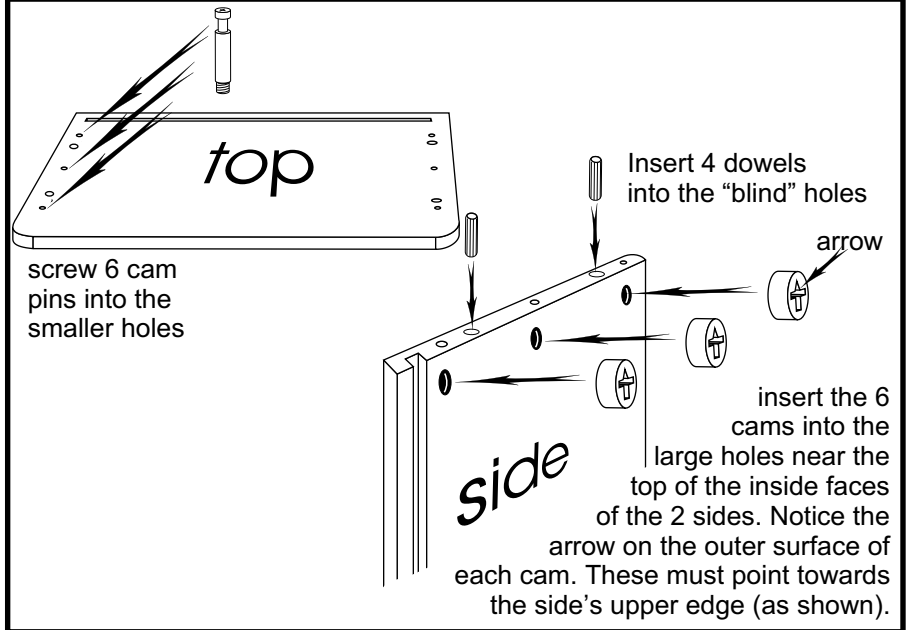
3. Attach the bun feet



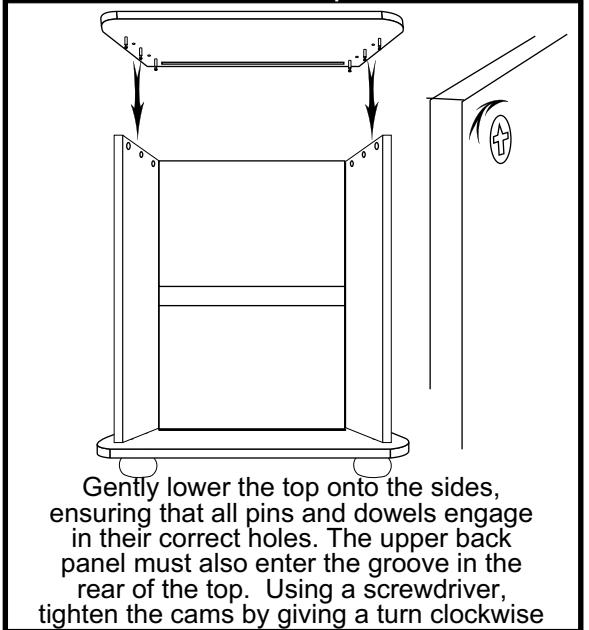
4. Insert the back



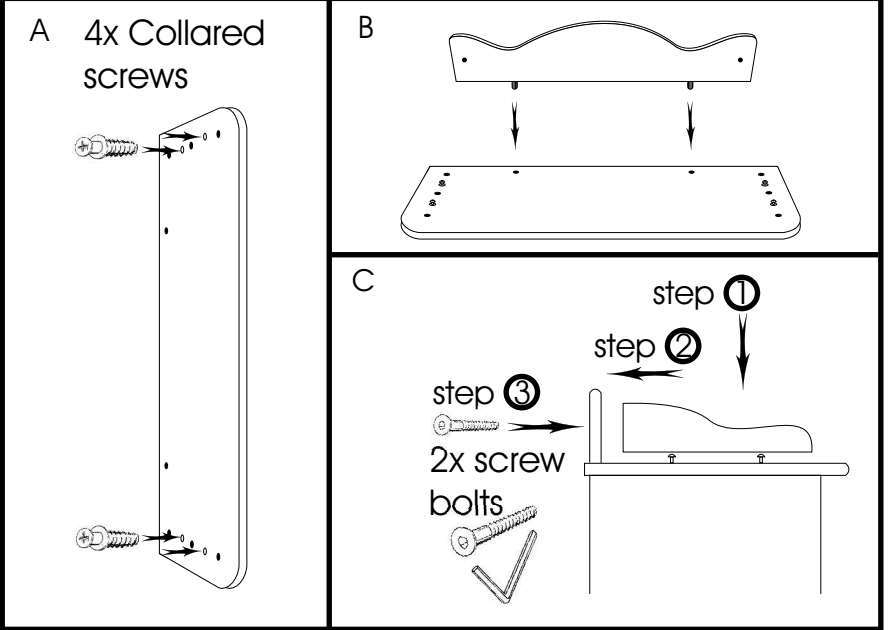
5. Prepare the top and sides



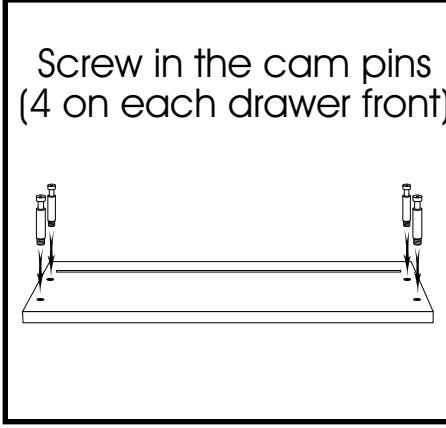
6. Attach the top



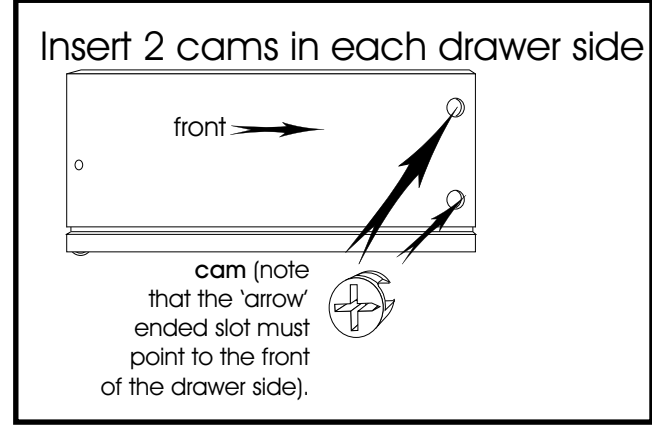
7. Attach the upstand



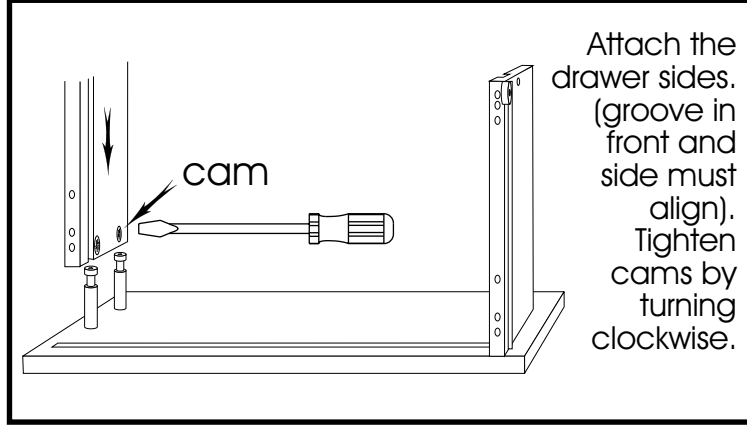
8. The drawers - 1



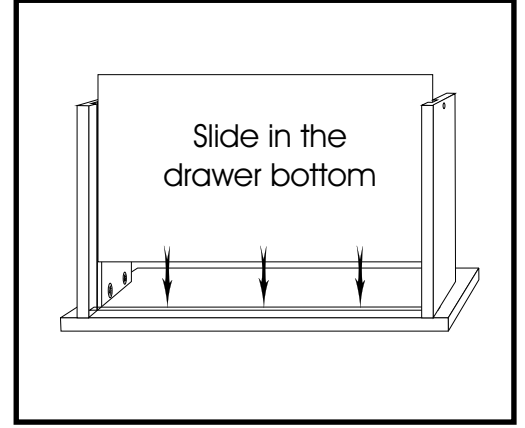
9. The drawers - 2



10. The drawers - 3



11. The drawers - 4

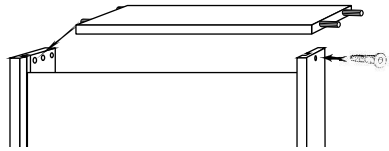


You will need a "Phillips" screwdriver



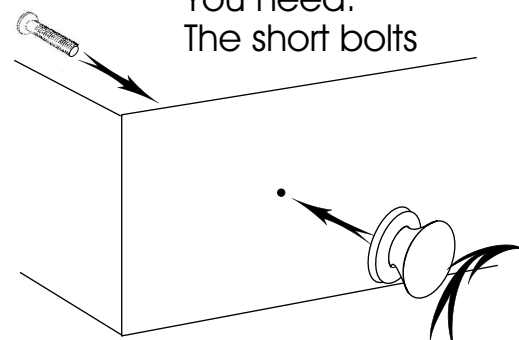
12. The drawers - 5

Attach the drawer back using 2 screw bolts. Ensure the drawer bottom locates in the groove, and the dowels fit in the holes in the sides.



13. Attach the knobs

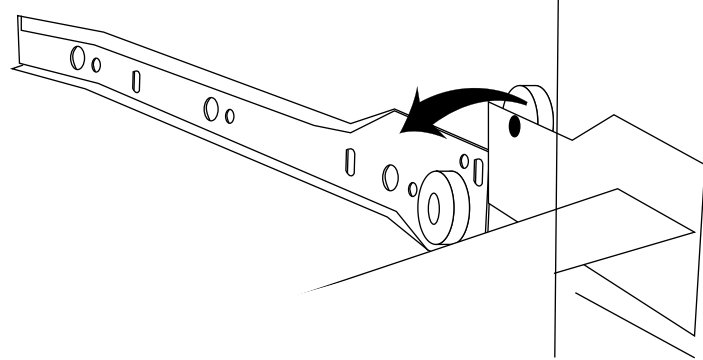
You need:
The short bolts



Do Not Overtighten

14. Insert the drawers

Hook the 2 wheels on each side of the back of the drawer over the wheels of the runners attached to the carcass sides. Check that the drawer closes and opens again smoothly.



15. Care & Safety

- NEVER LEAVE A CHILD UNATTENDED ON THE CHANGER SURFACE

- Periodically check all fittings to ensure that none have come loose. All assembly fittings should always be tightened properly. Care should be taken that no screws are loose, because the child could trap parts of the body or clothing which would pose a risk of strangulation.
- The chest must be set up on an even and stable surface.
- Clean the chest by wiping with a damp cloth & drying with a soft cloth.
- Never clean with abrasives, chemical cleaners or household polishes.
- Keep away from direct sources of heat, such as electric, gas or coal fires.
- Take care when handling or moving the wardrobe. Careless handling can damage wooden furniture. Try to lift rather than drag.
- Using this furniture other than for its intended purpose could cause damage to the structure or serious injury to your child.

A Mothercare changing mat is recommended for use with dresser chest, with maximum dimensions of 75cm x 46cm (29½ x 18 in.)



Belgravia Dresser Chest

User Guide

IMPORTANT. RETAIN FOR
FUTURE REFERENCE -
READ CAREFULLY

Your Child's Safety Is Your Responsibility

If you have a problem with this product or require replacement parts, please telephone the Mothercare Customer Care Line on
08453 30 40 30

Alternatively write to:
Mothercare Customer Care, Cherry Tree Road, Watford, Herts. WD24 6SH

Made in England