



FE managed item

mothercare AW16 style number : F2108 product : Safari Mobile pack dimensions : 297mm(H) x 210mm(W) x 0mm(D) supplier : K for Kids category : I&P date : 30th May 2016 designer : Ice/ Ricky	colours:  K  CUTTER GUIDE (DO NOT PRINT)	approval	date	signature
		packaging manager		
		copywriter		
		QA		
		product manager		

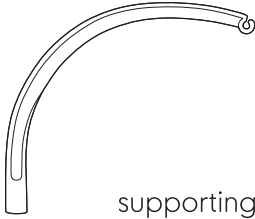
NOTE: The spot colour is not accurate (simulated using CMYK) in this digital proof, please refer to the Pantone specification (or our colour key).



76 100/F 2108 0516
mothercare
 Watford, England, WD24 6SH
 customercare line 0344 875 5111

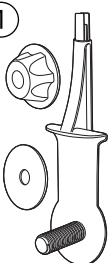
parts checklist

A x1



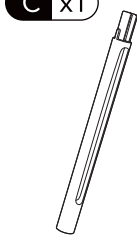
supporting arm with hanger

B x1




mobile stand

C x1



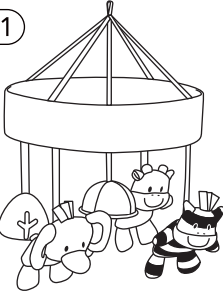
stand extension

D x1



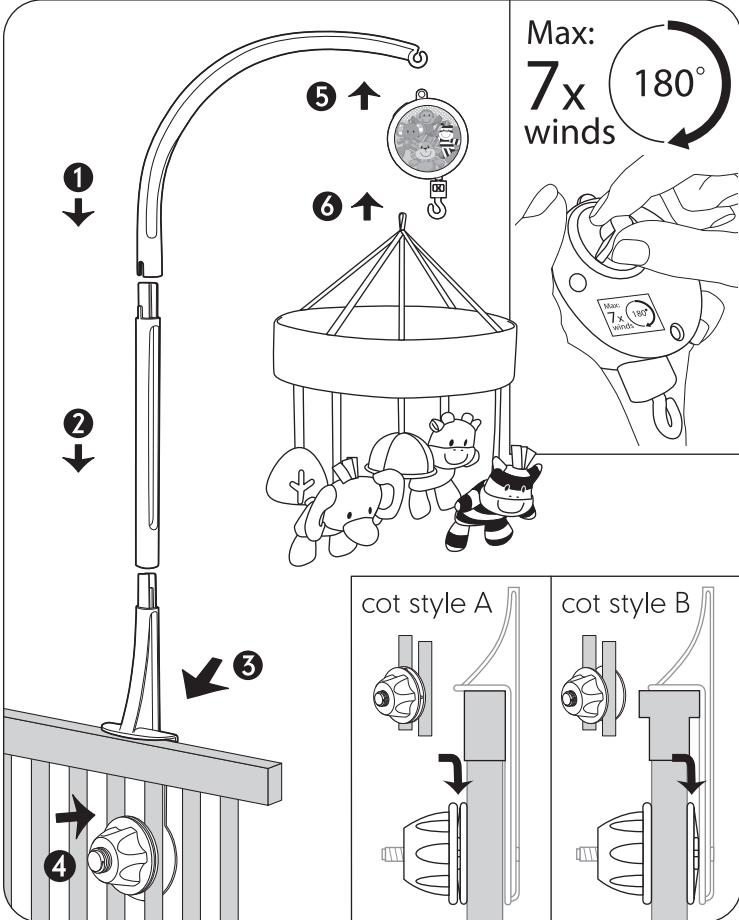
music box with hanger

E x1

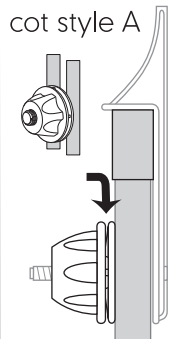


ring with hanging toys

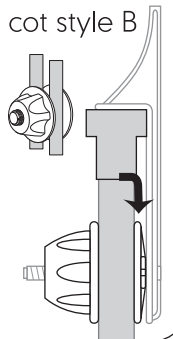
assembly



cot style A



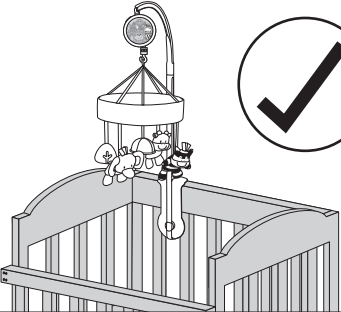
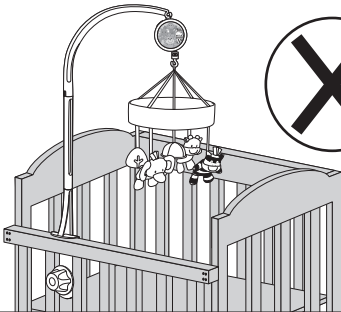
cot style B



important

- **WARNING!** To prevent possible injury by entanglement and to prevent baby using the mobile as a climbing aid, remove the mobile from the side of the cot as soon as baby begins to get up on its hands and knees in a crawling position. Reposition the mobile elsewhere out of baby's reach.
- The mobile should be attached to the fixed side of the cot and should not be hung directly over baby's head.
- Do not add additional strings or straps to attach to the cot.
- Adult assembly required. Please follow assembly instructions carefully. Check regularly to ensure all parts are secured.
- Please retain these instructions for future reference.
- This crib mobile is not intended to be grasped by the child

● The mobile should be attached to the fixed side of the cot

● The mobile should not be hung directly over the baby's head

