



Luxury Manor Dollhouse

user guide

143762 0516
Early Learning Centre®
Watford WD24 6SH England.

Customer Service Department
0371 231 3513

IMPORTANT INFORMATION- PLEASE READ FIRST

ALL OF OUR WOODEN ITEMS ARE HANDCRAFTED, HAND ASSEMBLED, AND HAND PAINTED. EACH ONE IS UNIQUE. SLIGHT IMPERFECTIONS MAY OCCUR AND ARE NOT MANUFACTURING DEFECTS.

PLEASE NOTE THAT WE DO NOT WARRANTY AGAINST THE USE OF PERMANENT MARKERS, NON-WATER-BASED PAINTS, CRAYONS, OR WASHABLE MARKERS. SOME OF THESE ITEMS CONTAIN PERMANENT COLOR DYES THAT COULD DAMAGE THE SURFACE.

PLEASE RETAIN THIS INFORMATION FOR FUTURE REFERENCE.

USE AND MAINTENANCE:

- Use on level surfaces only
- Please check assembly at regular intervals, and frequently tighten hardware if necessary. If maintenance is not carried out, the product could cease to function properly.



WARNING:

ADULT ASSEMBLY REQUIRED. Product includes small parts with potentially hazardous sharp points and sharp edges in the unassembled state. Keep unassembled parts away from children.



WARNING:

CHOKING HAZARD. Small parts and sharp points, not suitable for children under 3 years.

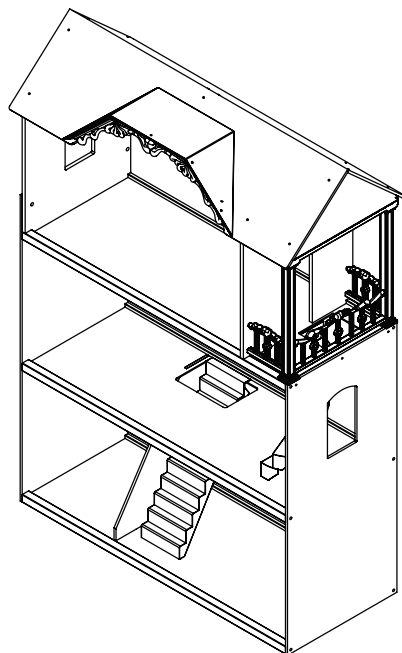


WARNING:

If used improperly, your dollhouse may be pulled over or fall, creating risk of injury or damage. To minimize this risk, we recommend that you use the enclosed wall anchor kit, which gives you the option of attaching the dollhouse to a wall. In addition, children should not be permitted to climb or pull on the dollhouse.

PARENTAL SUPERVISION REQUIRED.

This toy is intended for children of a specific age or above.
Parents should supervise the play area so that children younger than the intended age range do not interact with this toy. Use this toy on the floor. Do not allow children to climb on or around or in the toy.





Luxury Manor Dollhouse

user guide











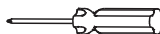
143762 0516
Early Learning Centre®
Watford WD24 6SH England.

Customer Service Department
0371 231 3513

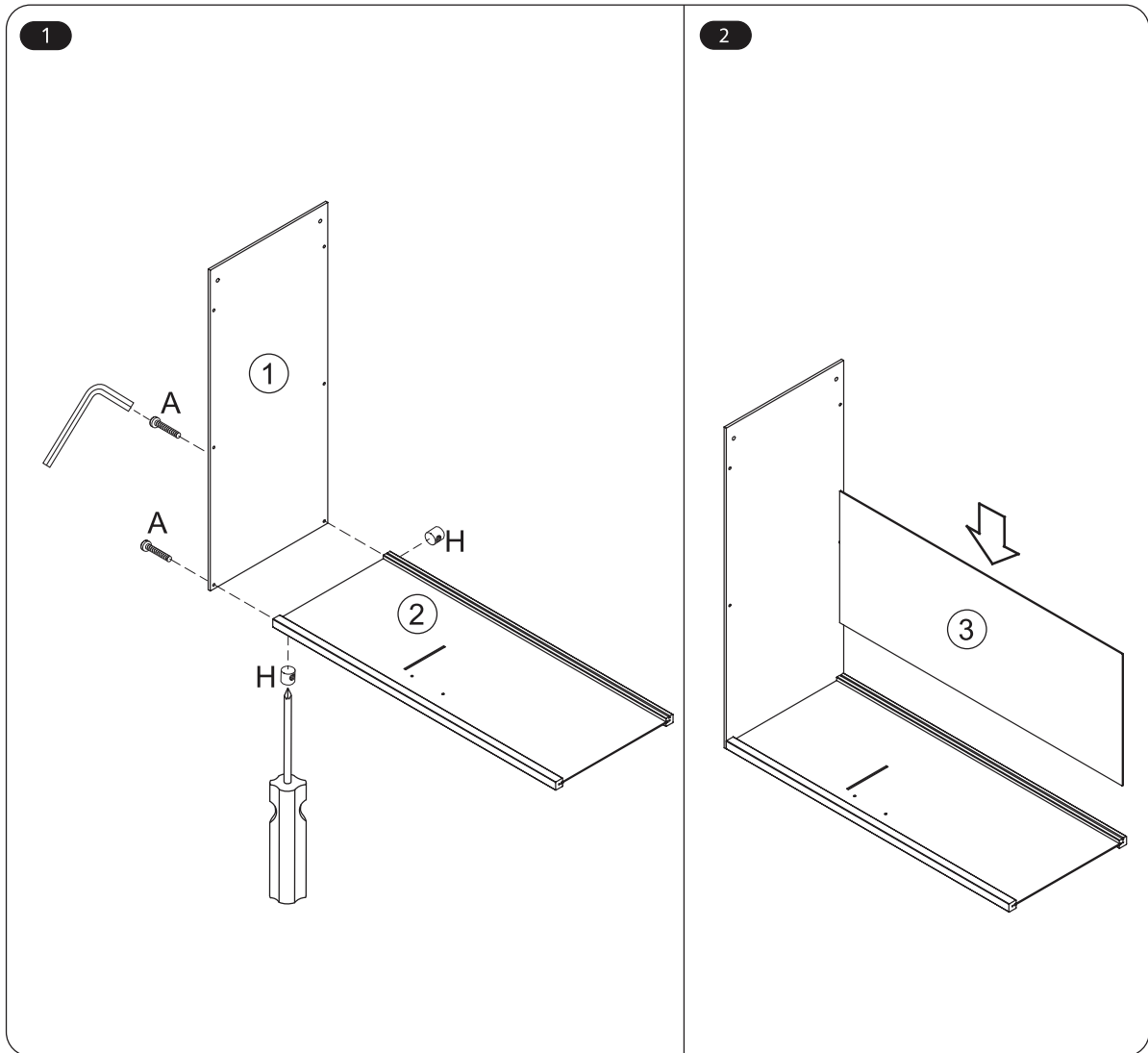
contents

1 x1 	2 x1 	4 x1 	5 x1 							
3 x1 	6 x1 	7 x1 	8 x1 	9 x1 	10 x2 	11 x1 	12 x1 	13 x1 		
14 x1 	15 x1 	16 x1 	17 x1 	18 x1 	19 x1 	20 x1 	21 x1 	22 x1 	23 x1 	24 x2
25 x1 	26 x1 	27 x1 	28 x1 	29 x1 	30 x1 					

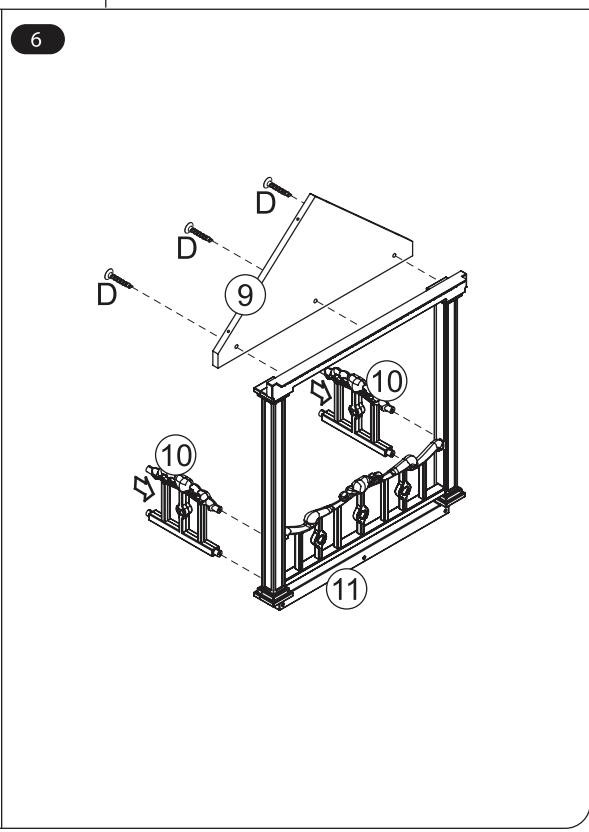
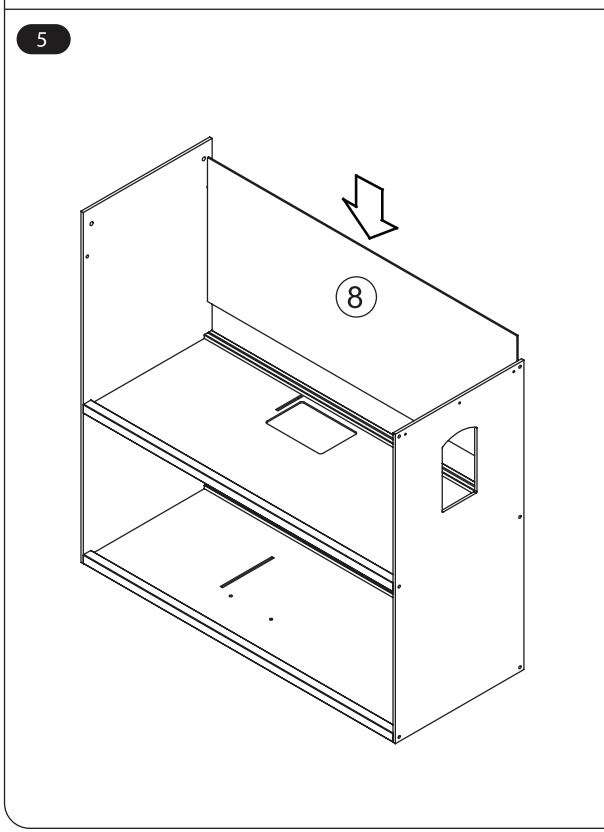
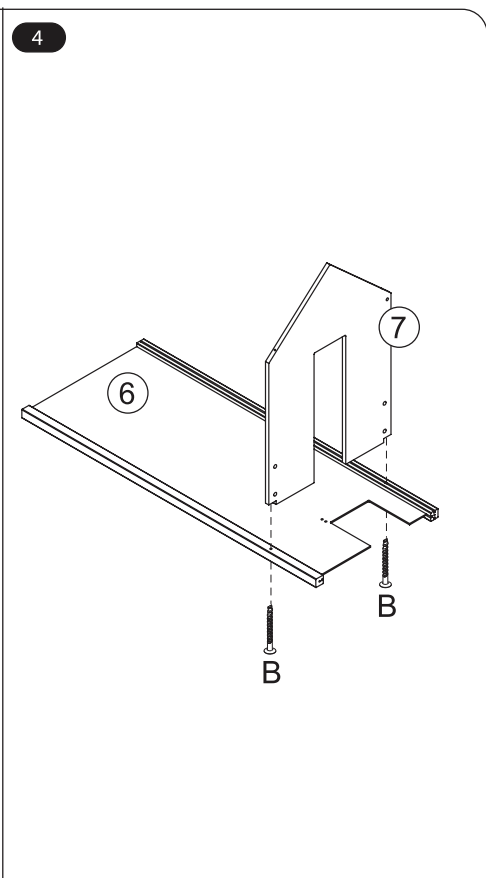
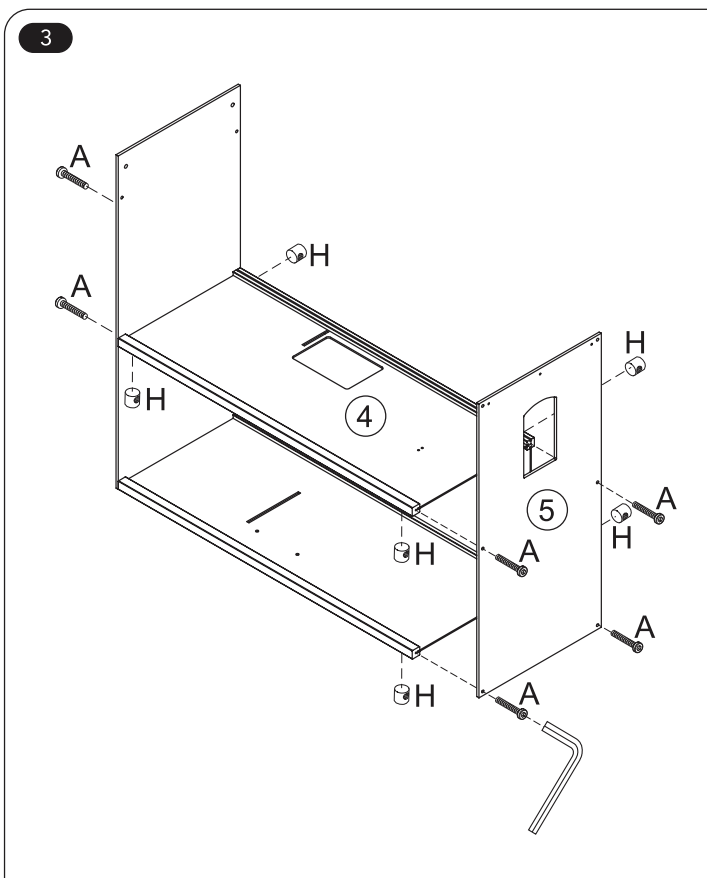
hardware

<p>A x14</p> <p>Screw (52 mm)</p> 	<p>B x6</p> <p>Screw (30 mm)</p> 	<p>C x2</p> <p>Cross Dowel Bolt (12 mm)</p> 	<p>D x15</p> <p>Screw (19 mm)</p> 	<p>E x3</p> <p>Screw (19 mm)</p> 	<p>F x12</p> <p>Screw (14 mm)</p> 
<p>G x2</p> <p>Pink Insert Bolt</p> 	<p>H x14</p> 	<p>I x1</p> <p>Screw (12 mm)</p> 	<p>J x1</p> <p>Allen Key</p> 	<p>The following tool (not included) is required for assembly:</p>  <p>Phillips® Screwdriver</p>	

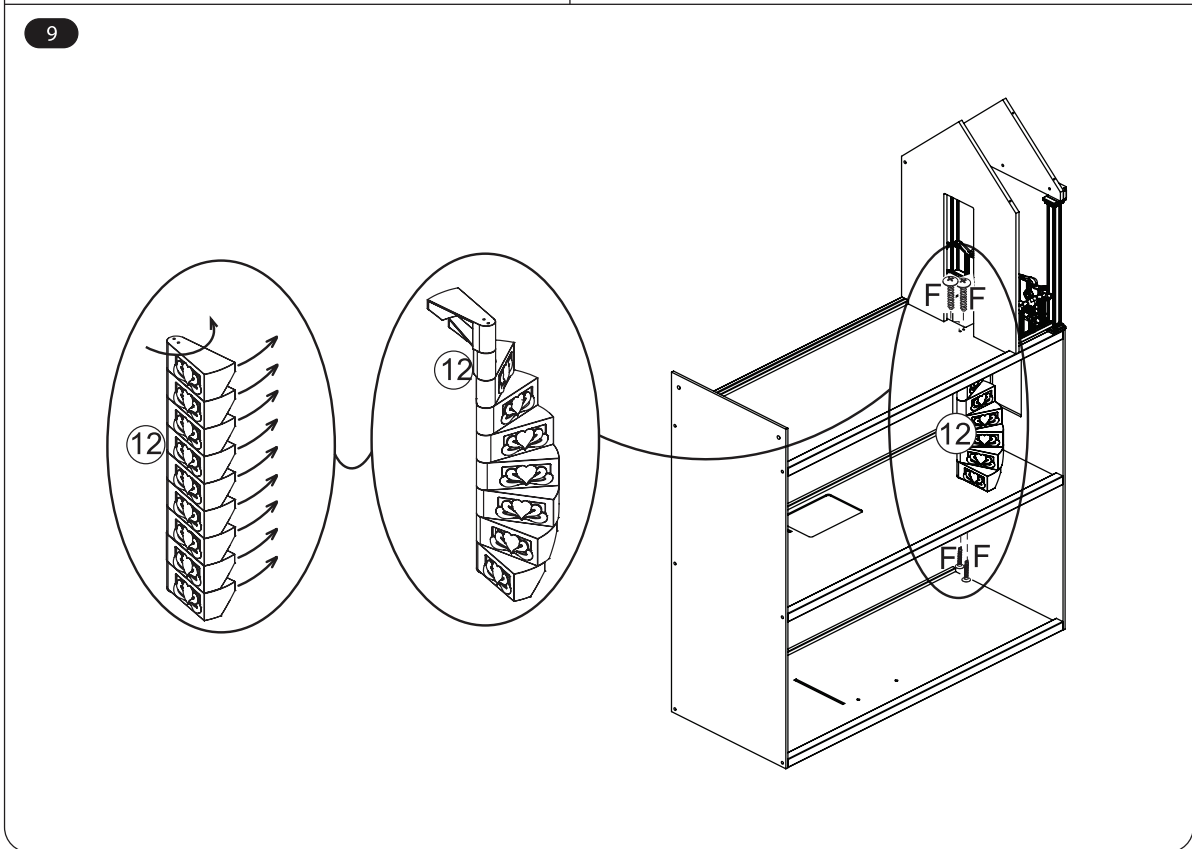
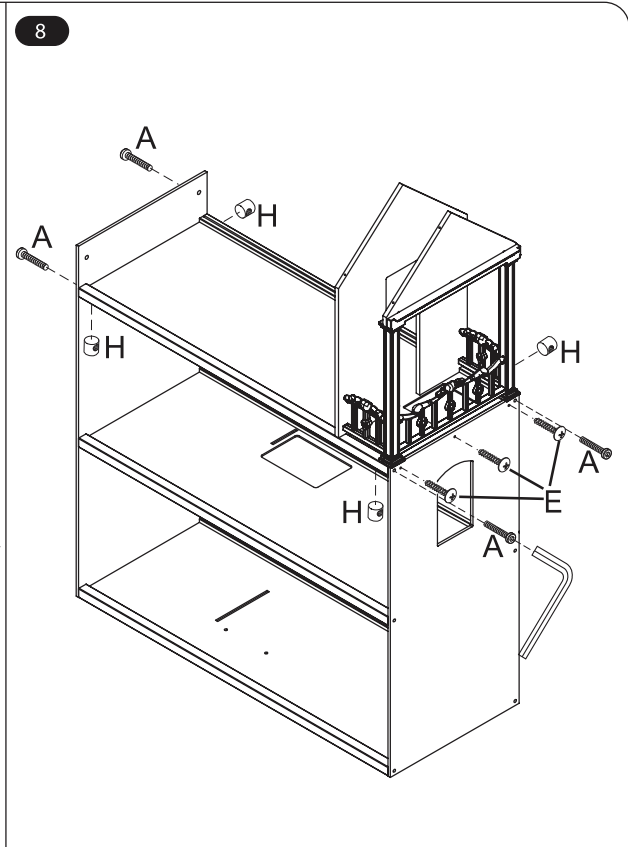
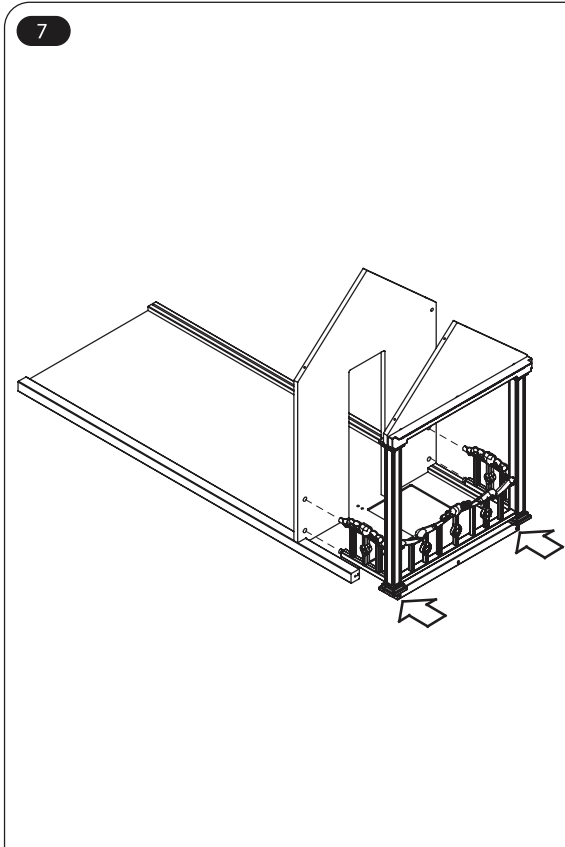
assembly



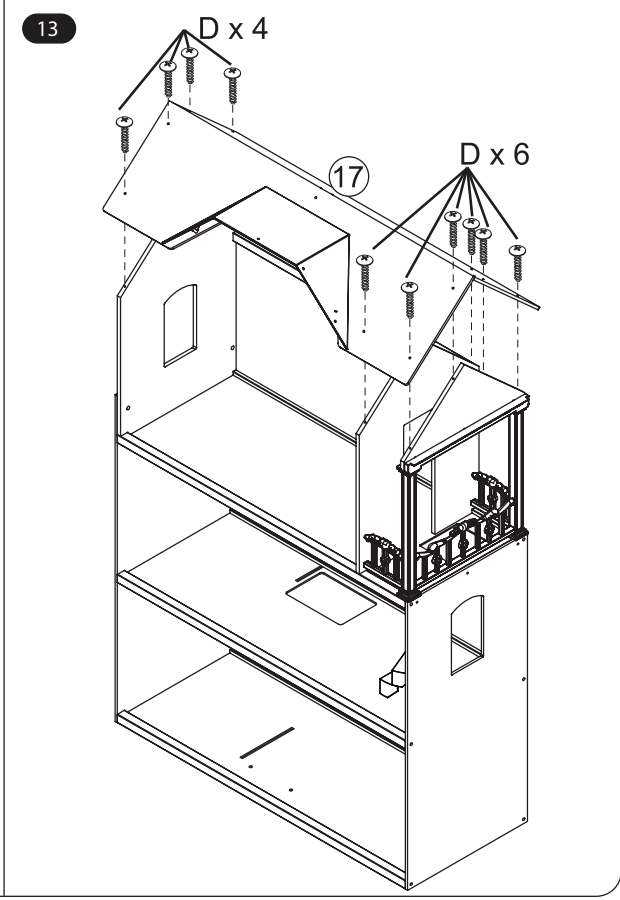
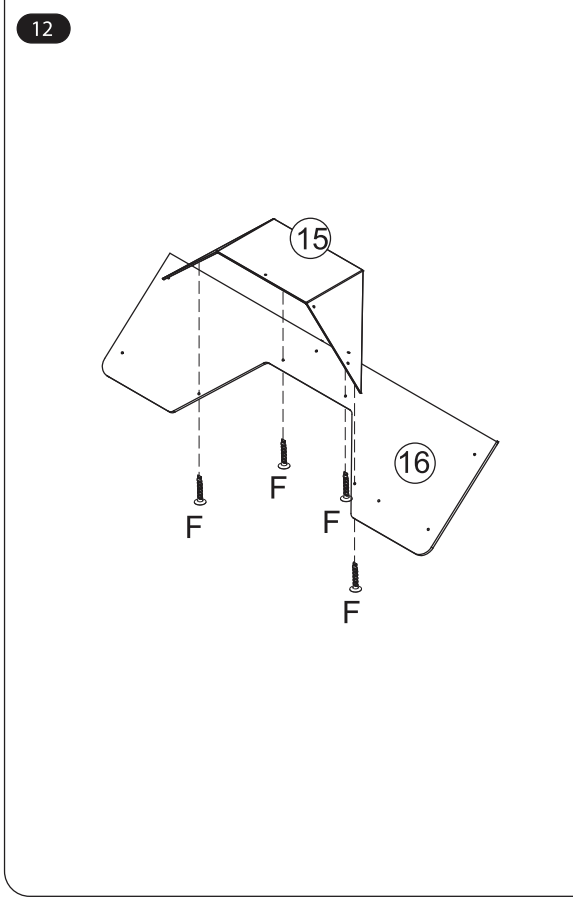
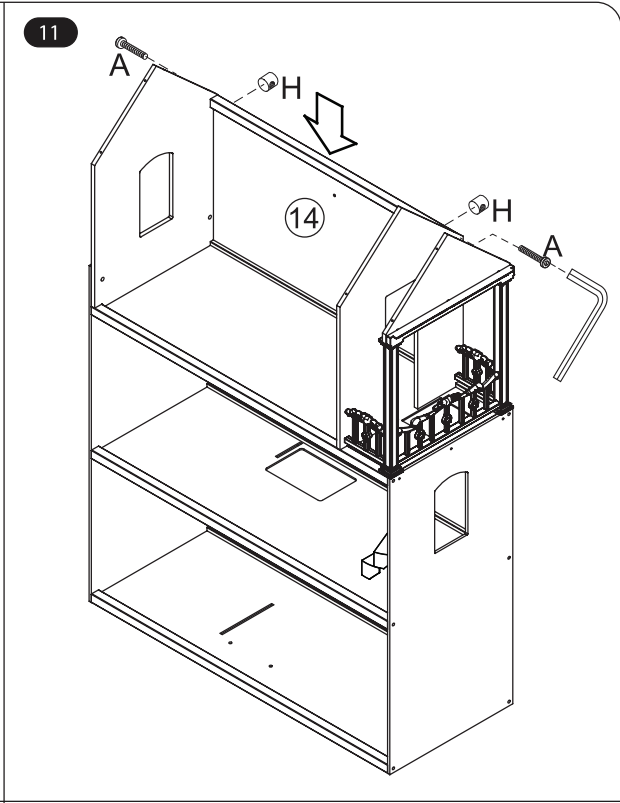
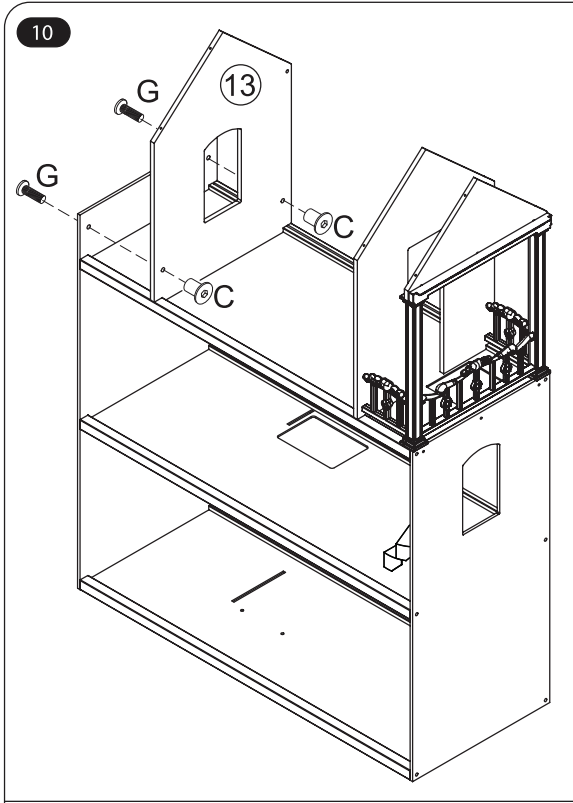
assembly



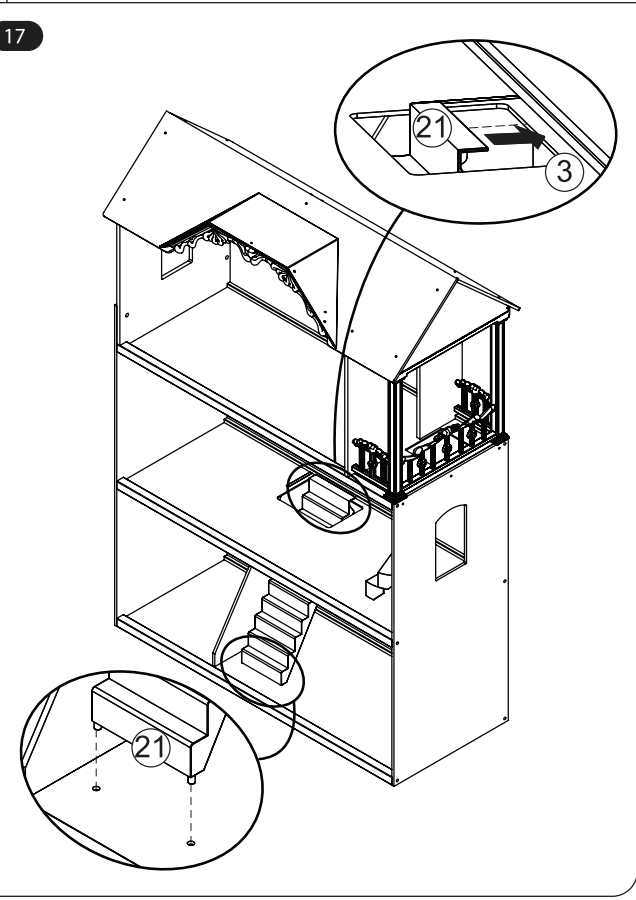
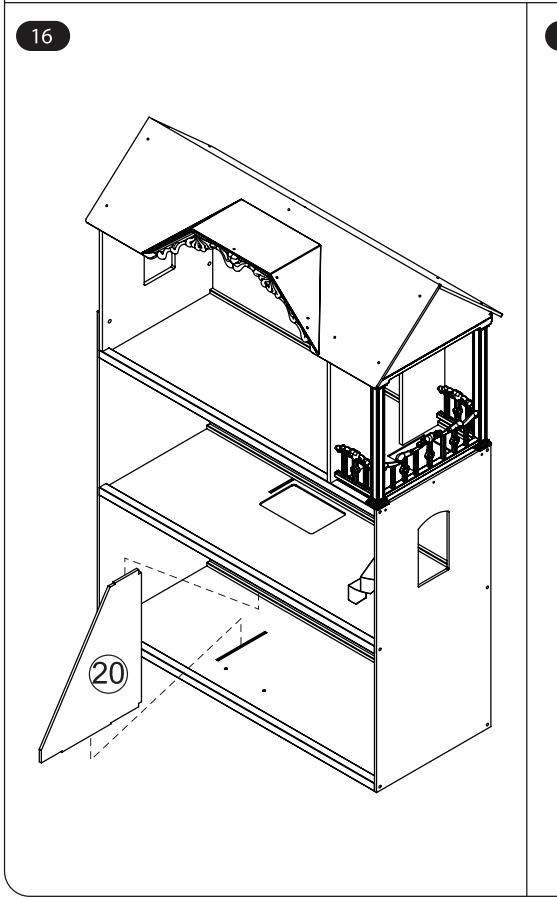
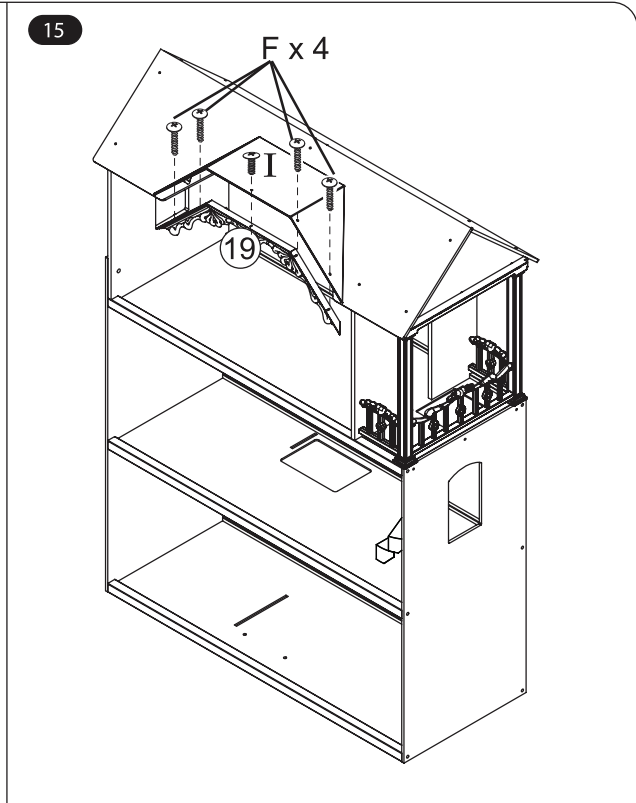
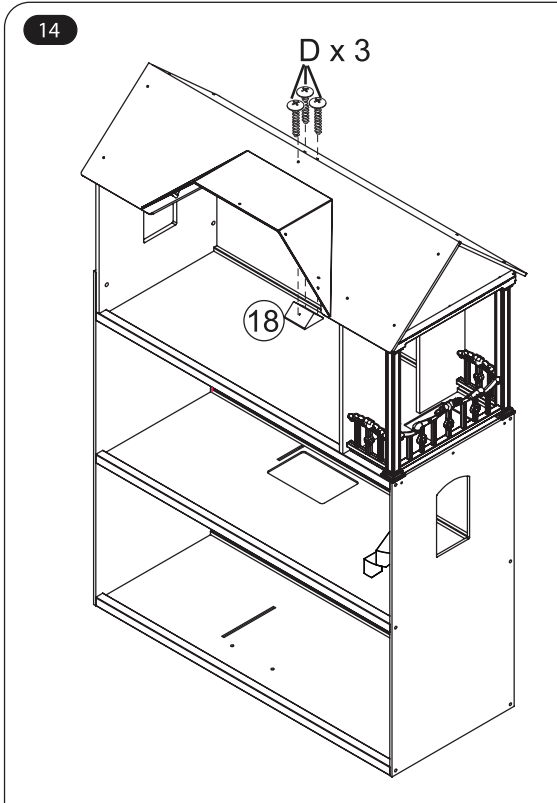
assembly



assembly

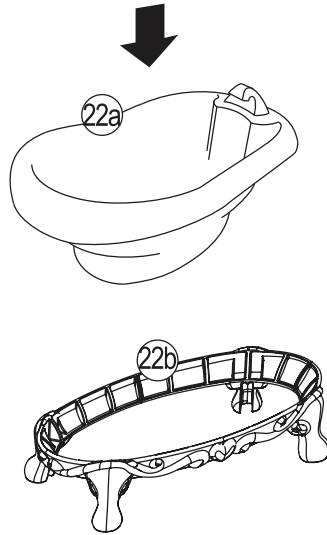


assembly



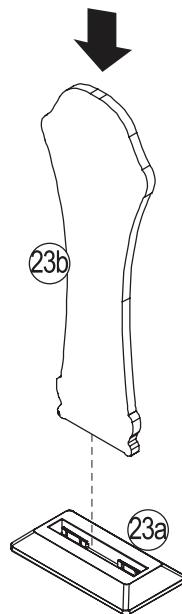
Bathtub Assembly

1



Fairytale Assembly

1



Bed Assembly

1

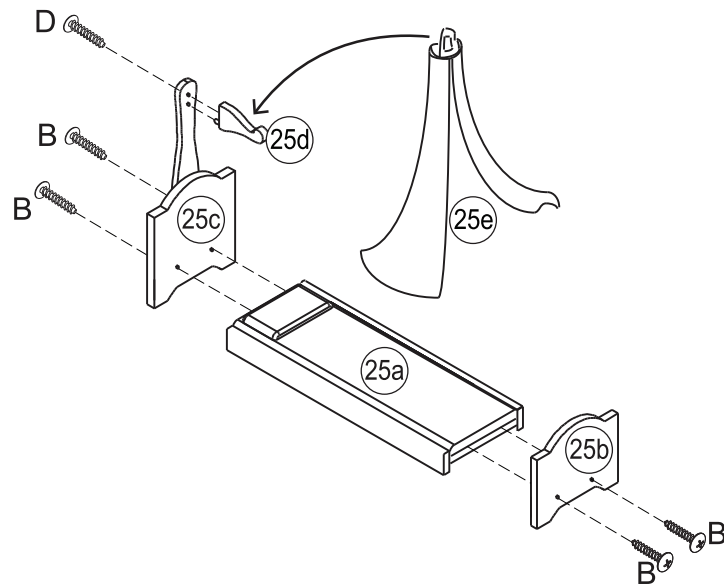
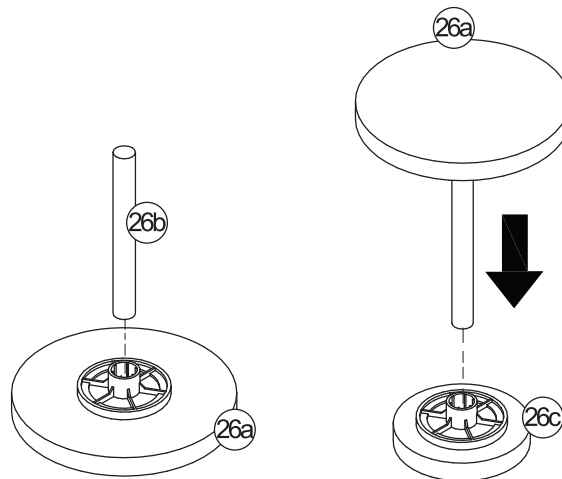
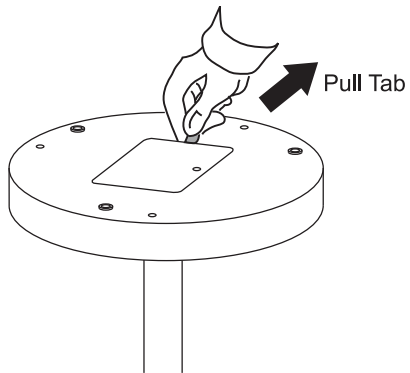


Table Assembly

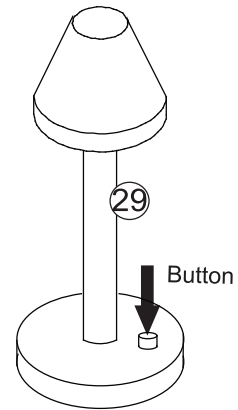
1



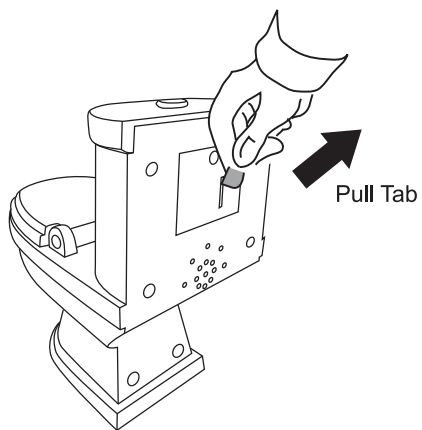
- Pull the tab outward to remove and activate play mode.
- Three (3) LR44 / AG13 (1.5V) Batteries are included in each piece.
- For replacement of batteries please follow care leaflet.



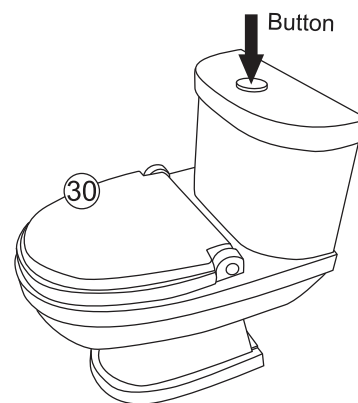
- Lights are activated when button is pressed.



- Pull the tab outward to remove and activate play mode.
- Three (3) LR44 / AG13 (1.5V) Batteries are included in each piece.
- For replacement of batteries please follow care leaflet.



- Sounds are activated when button is pressed.





Imported by: Early Learning Centre
Watford
WD24 6SH
England



Please retain this information for future reference.

CLEANING INSTRUCTIONS

CLEAN THE SURFACE USING A SLIGHTLY DAMP CLOTH AND MILD DISH WASHING LIQUID IF NECESSARY. DO NOT USE ANY CLEANING PRODUCT CONTAINING ALCOHOL OR AMMONIA. THESE WILL DULL THE SHINY SURFACE OF THE PRODUCT. FURNITURE POLISH WILL ALSO WORK TO CLEAN AND DUST OFF THE SURFACE.

WE RECOMMEND THAT YOU TEST ALL CLEANING MATERIALS ON THE UNDERSIDE OF ANY SURFACE THAT WOULD NOT BE SEEN DURING NORMAL USE OF THE PRODUCT. IF YOU HAVE QUESTIONS REGARDING THE MAINTENANCE OF THIS PRODUCT PLEASE FEEL FREE TO CALL US.



Wall Anchor

instructions

143762 0516
Early Learning Centre®
Watford WD24 6SH England.

Customer Service Department
0371 231 3513

IMPORTANT INFORMATION- PLEASE READ FIRST

For safe installation it is essential to use hardware appropriate for your wall type. This wall anchor is only for Drywall surfaces where wood studs are not available. Mount to wood wall studs whenever possible. Use a 3mm drill bit for the pilot hole. If mounting to plaster, wood panels, brick or other surfaces than drywall consult your local hardware store or a qualified professional.



WARNING:

ADULT ASSEMBLY REQUIRED. Product includes small parts with potentially hazardous sharp points and sharp edges in the unassembled state. Keep unassembled parts away from children.



WARNING:

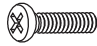







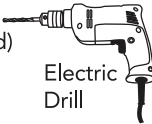
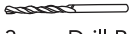
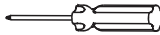
Do not install on a wall where items can fall off and injure a child.



WARNING:

CHOKING HAZARD. Unassembled parts may be choking hazard to children 3 years and younger.

hardware

A x1 Screw 	B x1 Wood Screw 	C x1 Plastic Anchor 
D x1 Plastic Strip 	E x1 Nylon Nut 	
F x2 Small Washer 	G x1 Large Washer 	
The following tools (not included) are required for assembly:		
		

assembly

