



explorer den

User guide

142607 0915
Early Learning Centre®
Walford WD24 6SH England.

Customer Service Department
0371 231 3513

WARNING! keep away from fire!

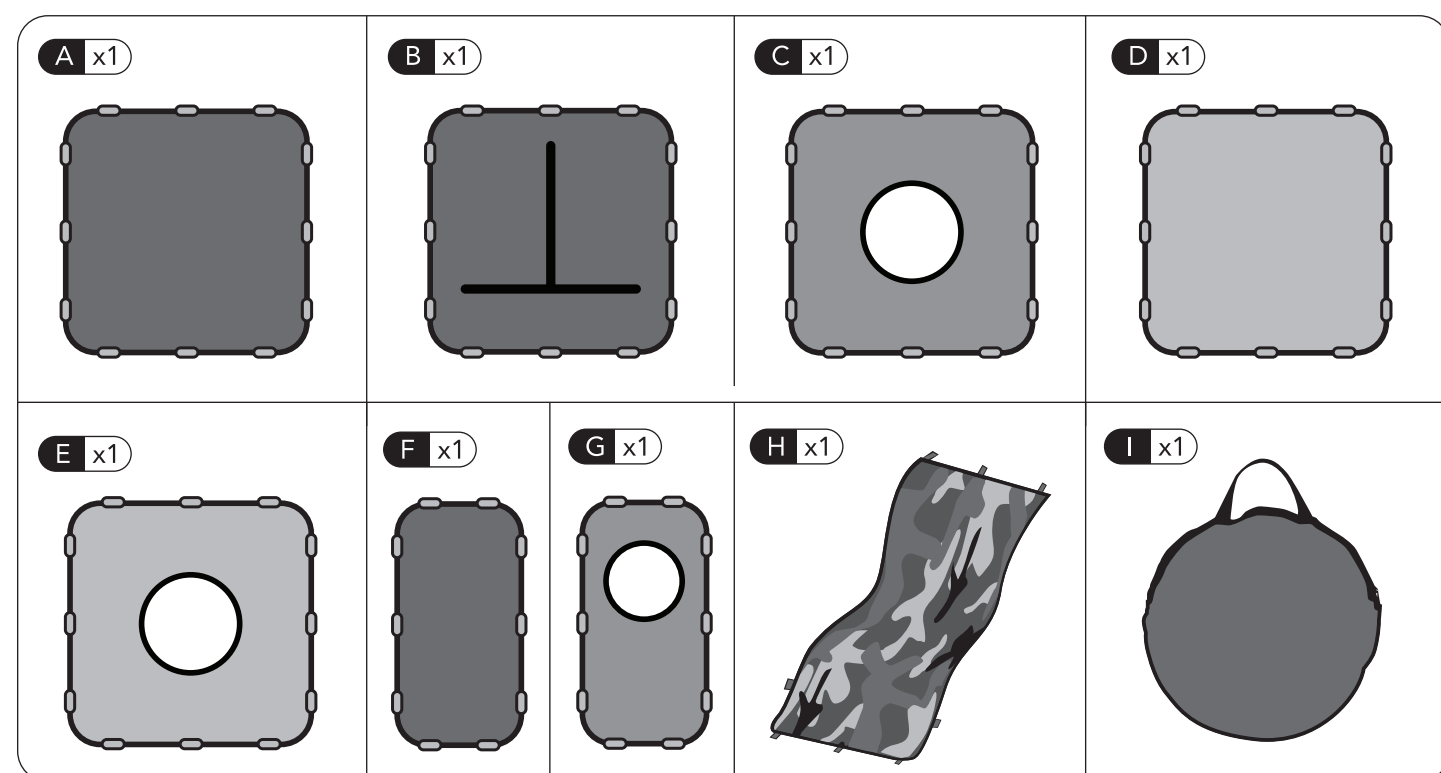
Adult supervision required. Adult assembly required. IMPORTANT! The putting up and taking down of this product should always be done by an adult. The product has an internal spring frame that will 'pop' open with some force. Always place on a cleared flat surface away from sharp object and stones. Never shelter in this product during a thunderstorm. Not waterproof or made for camping. IMPORTANT. Wipe clean only.

Remove all packaging before giving to your child.

TIP

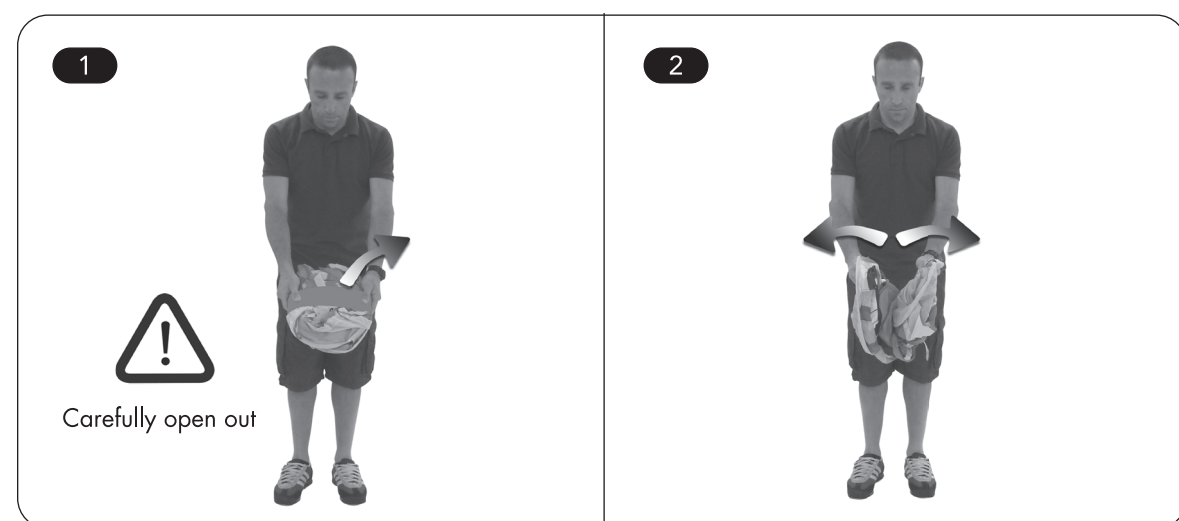
If the product refuses to 'pop' back into shape – follow the steel around the frame sleeve with your fingers, and 'twist & flip' the steel band back around into alignment.

contents



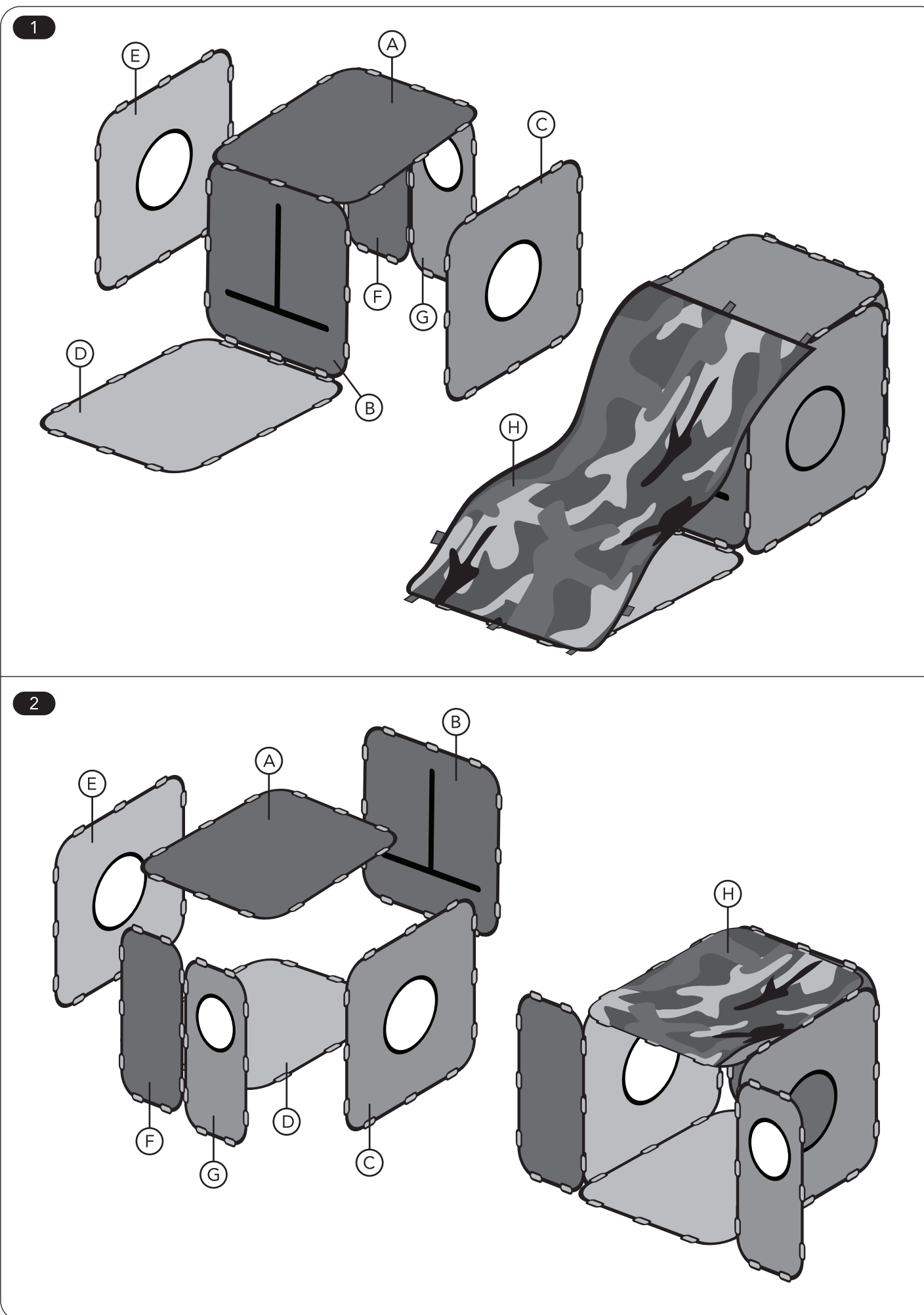
assembly

PLEASE READ ALL INSTRUCTIONS AND WARNINGS BEFORE ASSEMBLY.
Take care when folding/unfolding, this product contains an internal spring frame.



assembly suggestions

Suitable for indoor and outdoor use
For family domestic use only



UK Managed item

early learning centre SS16	colours: BLACK	approval	date	signature
sku number : 142607		packaging manager		
product : Explorer den kit		copywriter		
pack dimensions : A4		QA		
supplier : Nu Look IPI Enterprises Ltd category : A & A		product manager		
date : 21 September 2015 designer : Man				

NOTE: The spot colour is not accurate (simulated using CMYK) in this digital proof, please refer to the Pantone specification (or our colour key).