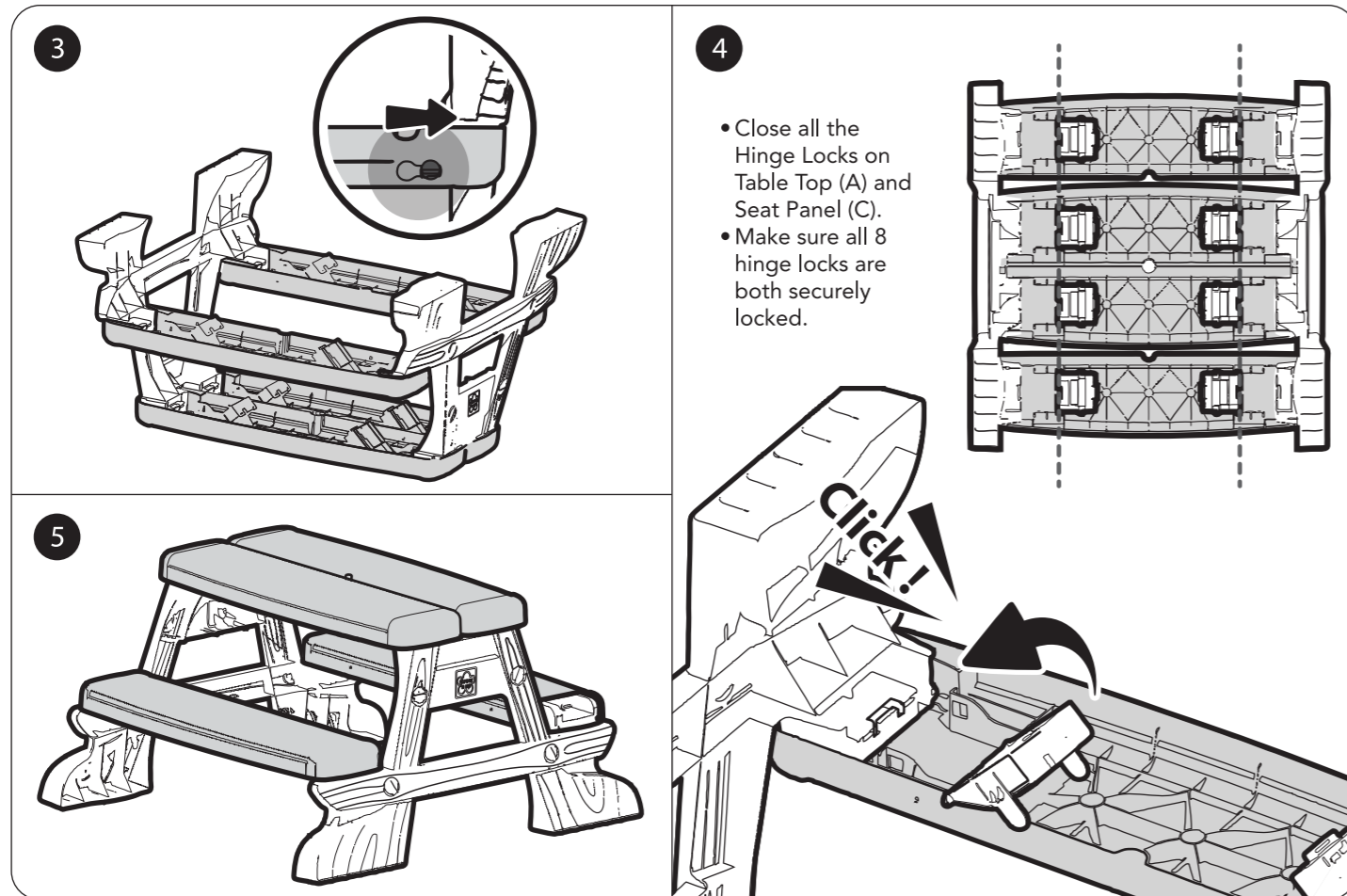
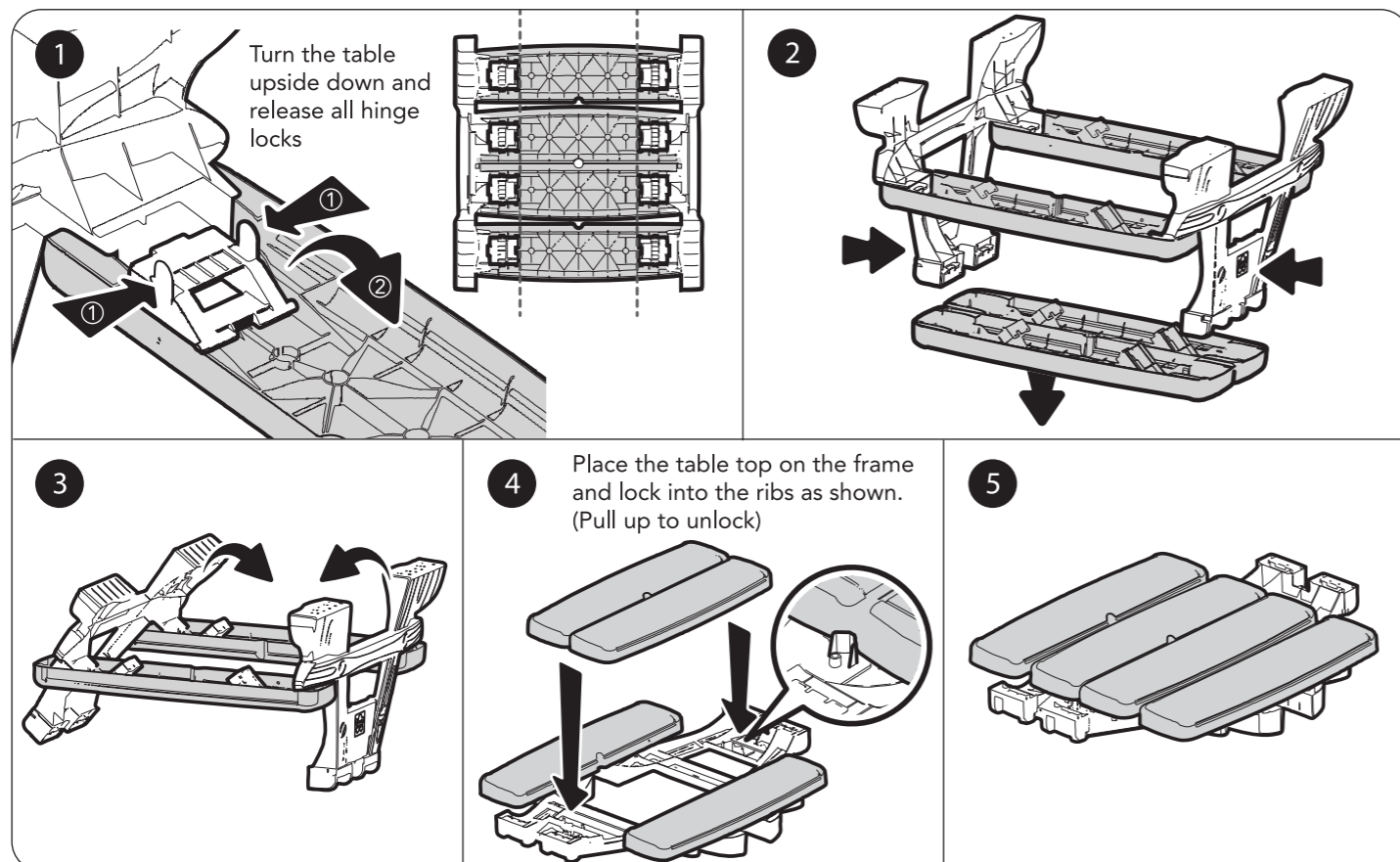


assembly



fold for storage

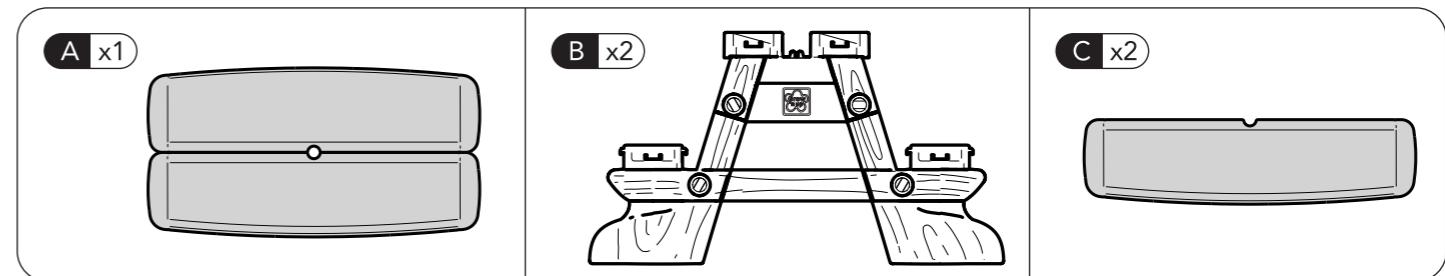


picnic table user guide

142566 0915
Early Learning Centre®
Watford WD24 6SH England.

Customer Service Department
0371 231 3513

contents



warnings

- This product is designed for family domestic use only. Suitable for indoor and outdoor use.
- Adult assembly required. No tools required.
- Adult supervision advised when item is in use.
- When temperature falls below 0°C, outdoor use of this product is not recommended. In extreme cold, plastic materials lose resilience and may become brittle and crack upon impact. Remove and store product indoor.
- When the picnic table is exposed to direct sunlight, check the temperature on the product surface. If the picnic table is too hot, pour cold water on the table until it cools and wipe dry before giving it to children.
- Maximum weight limit is 46 kg per side or 23 kg per child. Limit 2 children per side.
- DO NOT sit or stand on the table top.

CARE AND MAINTENANCE

1. Make sure all parts are securely snapped together before use.
2. Please check the unit twice monthly during the season its being used, to ensure that it is still correctly assembled. If not checked regularly, parts can become unassembled during play and cause injuries.
3. DO NOT leave this item exposed to strong wind and inclement weather.

assembly

