



# cottage kitchen

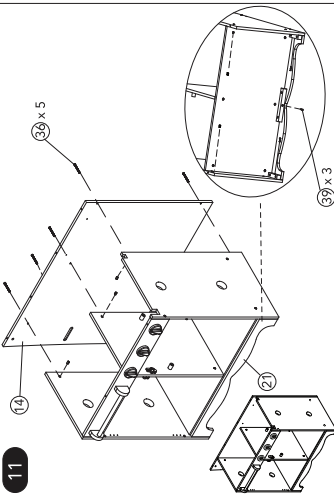
user guide

139156/136819 0514  
Early Learning Centres®  
Watford WD24 6SH England.

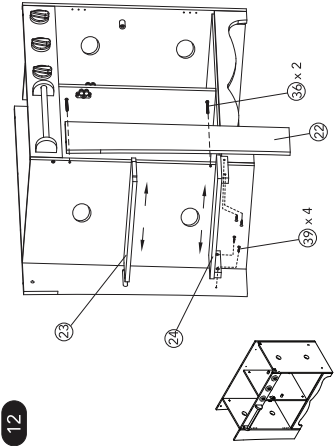
Customer Service Department  
0871 231 3511

## parts checklist

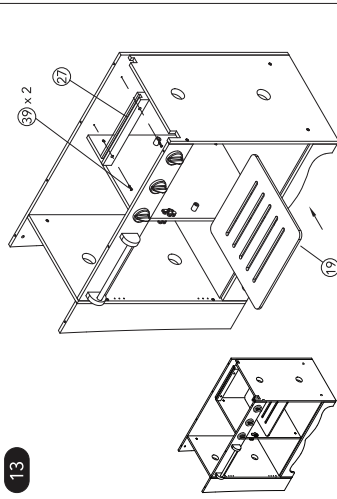
 1 x1	 2 x1	 3 x1	 4 x1
 5 x1	 6 x1	 7 x1	 8 x1
 9 x2	 10 x1	 11 x1	 12 x1
 13 x2	 14 x1	 15 x1	 16 x1
 17 x1	 18 x1	 19 x1	 20 x1



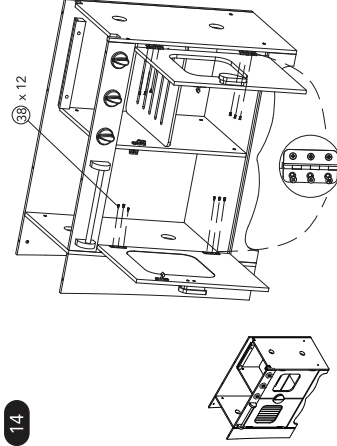
11



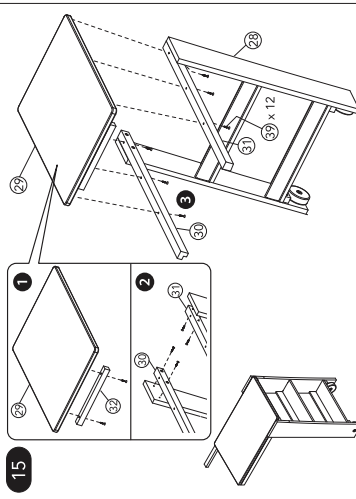
12



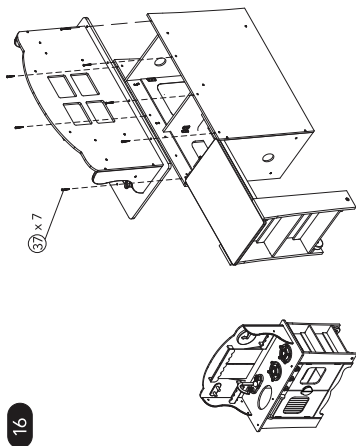
13



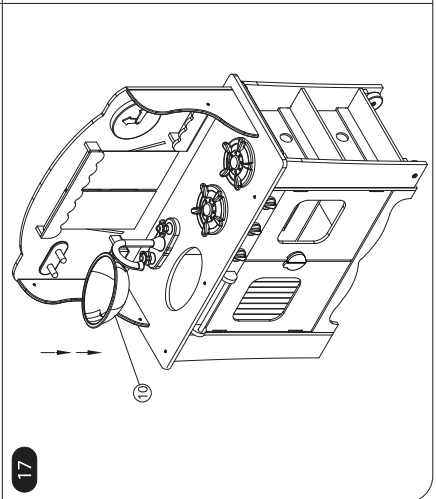
14



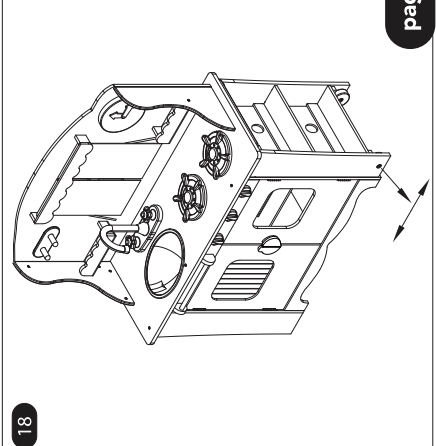
15



16

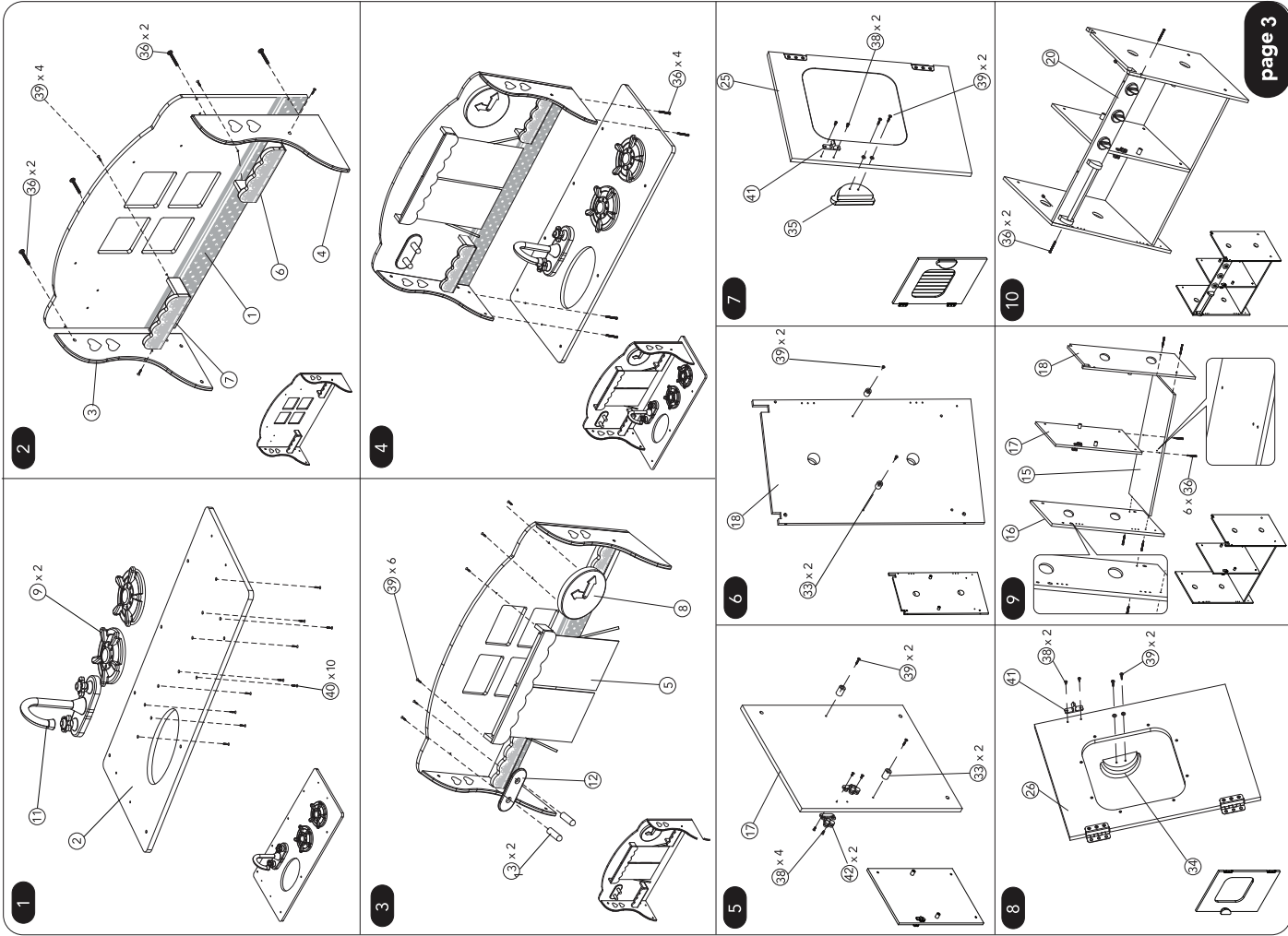


17



18

assembly



parts checklist

21 x1		22 x1		23 x1		24 x1	
25 x1		26 x1		27 x1		28 x1	
29 x1		30 x1		31 x1		32 x1	
33 x4		34 x1		35 x1		36 x23	
37 x7	in beige color	38 x20		39 x39		40 x10	
41 x2		42 x2					