

single size A3

| | | | | | |
|--------------|----------------|-----------------|---------------------|------------------------|-----------------------------|
| SKU no. | 133580/141719 | Initial Check | Final Check | Final Approval | Sign-off Etc. & vet proof |
| Name | key-boom-board | Project Manager | Product Designer | Check/Prod/Etc product | Project Manager/Etc product |
| Buying team | M&L | Customer | Product Application | Prod/Etc product | Prod/Etc product |
| Supplier | Honorgens | Design | Production | Prod/Etc product | Prod/Etc product |
| Designer | Dorothy | Production | Production | Prod/Etc product | Prod/Etc product |
| Date created | 10 Mar 2015 | Production | Production | Prod/Etc product | Prod/Etc product |

K

AW15



key-boom-boardTM
user guide

133580 / 141719 0315

Early Learning Centre®
Watford WD24 6SH England.

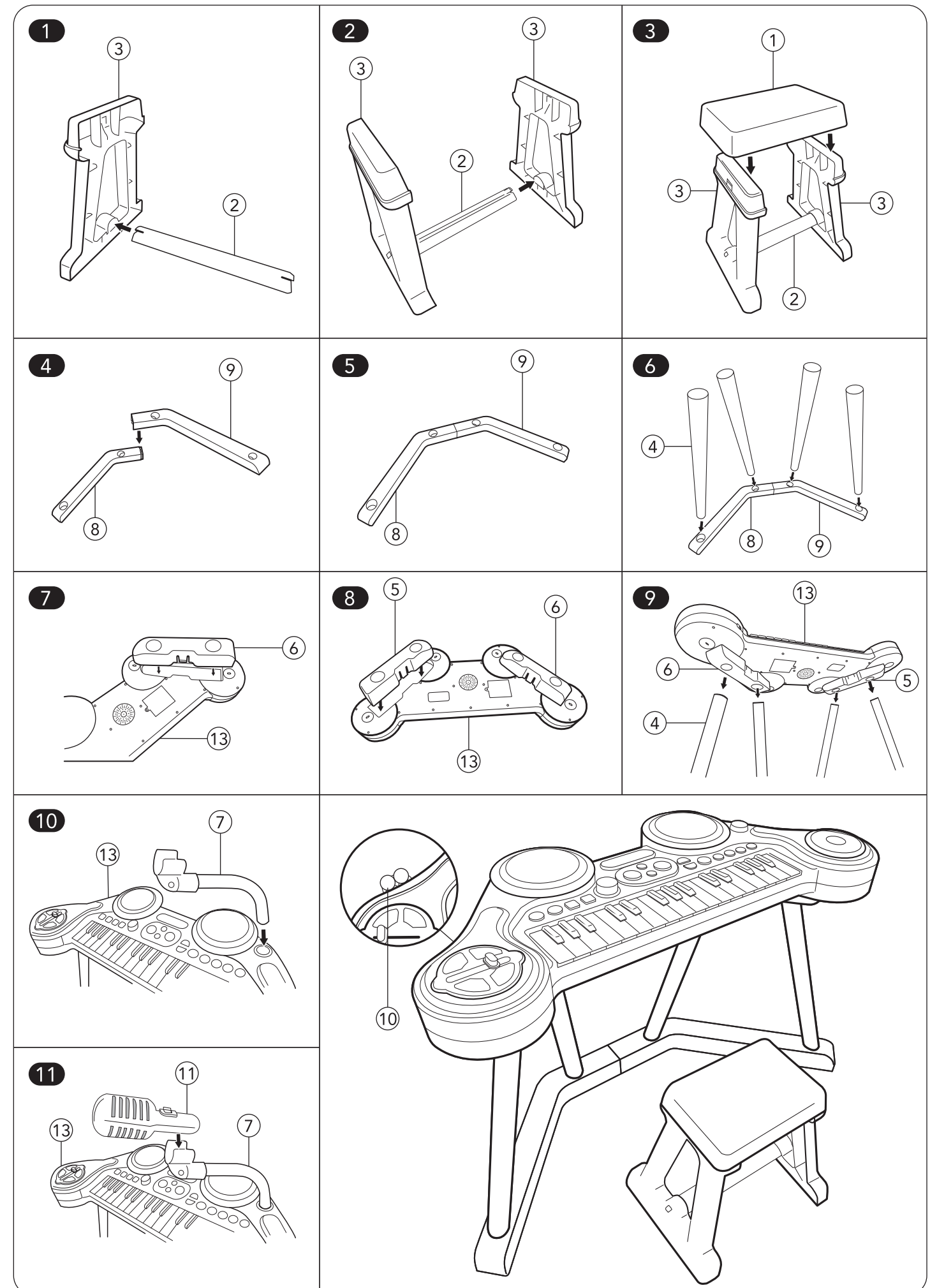
Customer Service Department
0371 231 3513

parts checklist

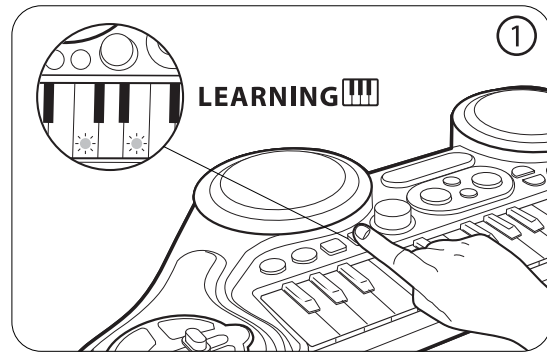
| | | | | |
|--------------|--------------|--------------|-------------|-------------|
| 1 x1 | 2 x1 | 3 x2 | | |
| | | | | |
| 4 x4 | 5 x1 | 7 x1 | 8 x1 | 9 x1 |
| | | | | |
| 10 x2 | 11 x1 | 12 x1 | | |
| | | | | |
| 13 x1 | | | | |
| | | | | |

assembly

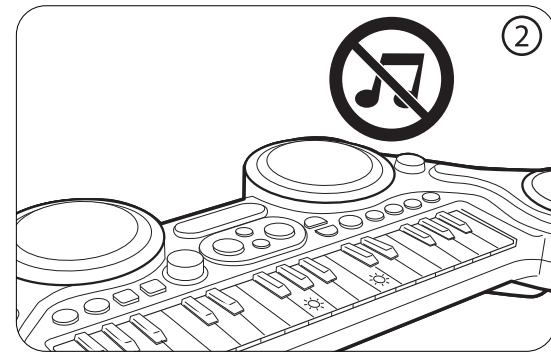
Warning! Adult assembly required.



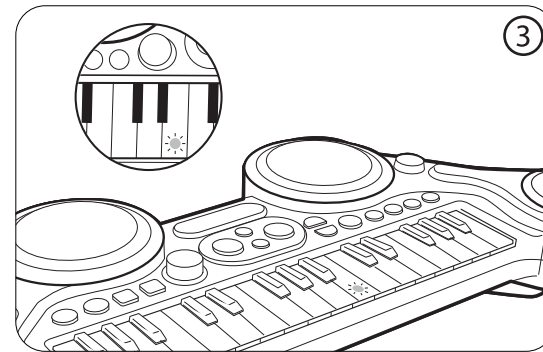
Learning mode – Keyboard



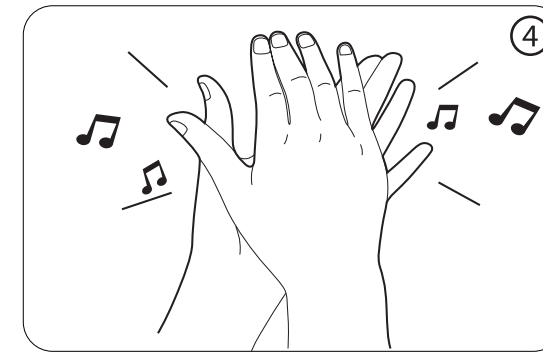
- Press the “Learning-keyboard” button to hear a demo song and see the keys light up.
- 6 songs to learn.
- Stop the song by pressing any key.



- After the song is finished or if any key is pressed, the learning mode will begin. The correct key will light up with no sound.

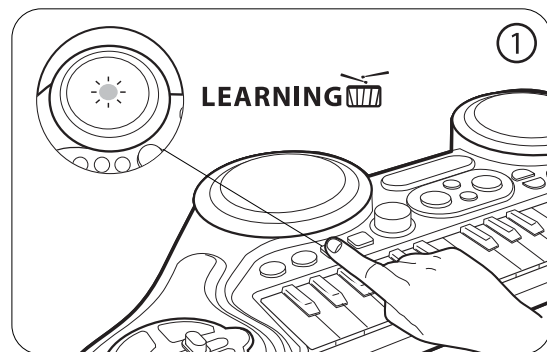


- The player will have to follow the light up keys to play the song.
- If the player makes a mistake and plays a wrong note, that particular key will still light up with sound, but the correct key will remain lit until it is played.

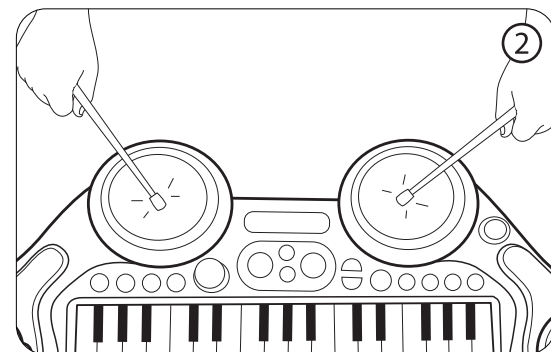


- When the player completes a learning song, he or she will be rewarded with clapping sounds.

Learning mode – Drum

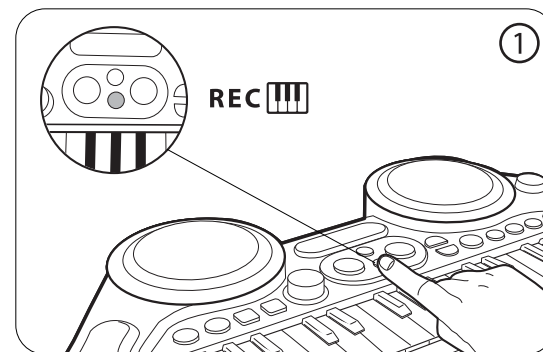


- Press the “Learning-drum” button to hear a demo song with light-up drum pads.
- 6 songs to learn.

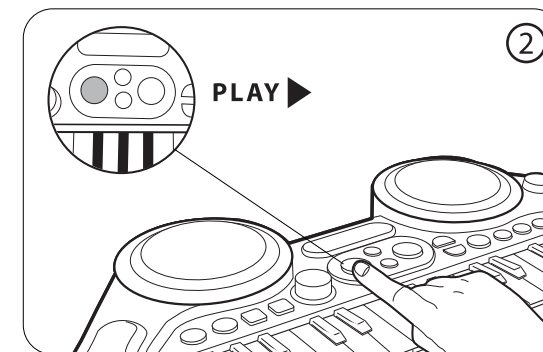


- Players can learn to play the drums (with the drum sticks) by following the light-up drum pads.

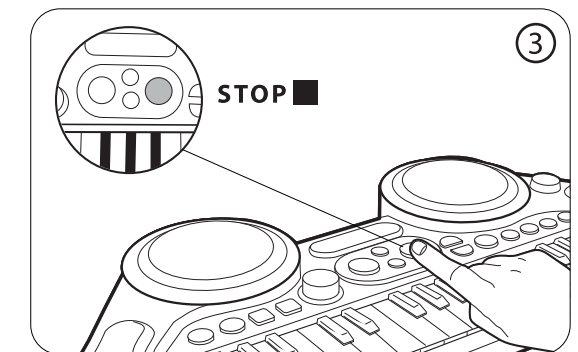
Recording mode – Keyboard



- Press the “Record” button to record piano, scratch disc and drum sounds.
- One recording can record a maximum of 60 notes.

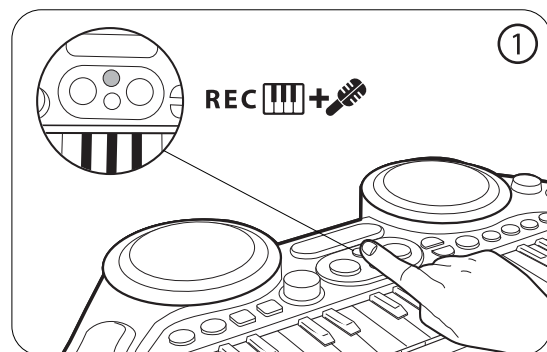


- Press the “Play” button to hear your previous recording. The instrument sound that is played back will be the last instrument selected on the keyboard.

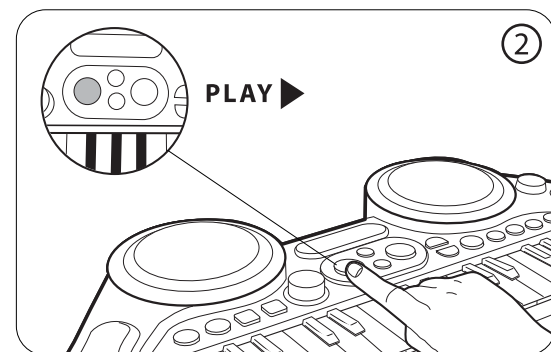


- Recording will be erased when you press the “Stop” or “Record” button again. Recording will also be erased if any rhythm or demo key is pressed, and when you turn the unit off.

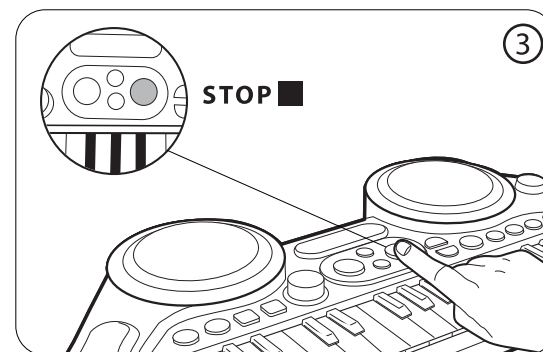
Recording mode – Keyboard & Microphone



- Press the “Keyboard & Microphone” button to record piano, scratch disc, drum and microphone sounds.
- One recording can record a maximum of 60 notes, or 3 minutes. No voice will be heard from the speaker during recording.



- Press the “Play” button to hear your previous recording.
- The instrument sound that is played back will be the last instrument selected on the keyboard.



- Recording will be erased when you press the “Stop” or Record” button again. Recording will also be erased if any rhythm or demo key is pressed, and when you turn the unit off.