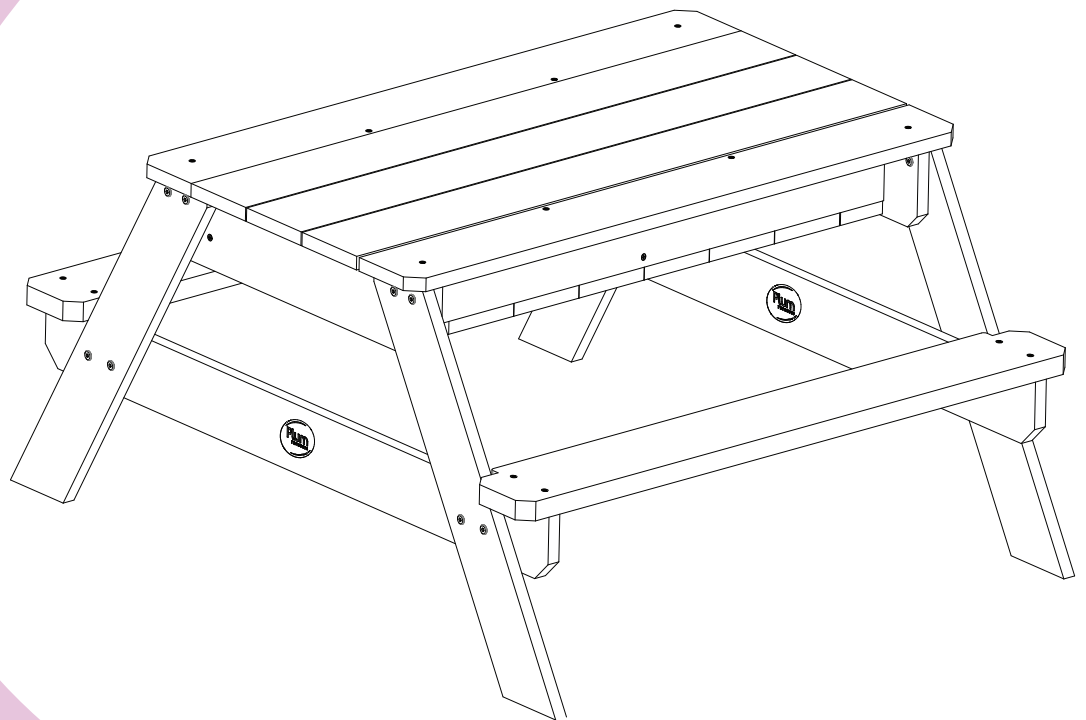


# assembly instructions

## Surfside Sand & Water Picnic Table

assembly requires 2 adults  
(approx. 2 hours assembly time)



**WARNING! Not suitable for children under 36 months – small parts - choke hazard. Min user age 3 years. Max user weight 50kg. Only for domestic Use Outdoor use only. Adult assembly required. Adult supervision recommended at all times.**

# Advisory Section

To ensure the safety of you, the installer and your children, it is important that these instructions are read fully before commencing the positioning and installation of this product.

## Keep your sandpit safe for the children

1. Always cover the sandpit when not in use, to prevent unwanted animals from playing in the sand.
2. The sandpit cover is not a toy and is not intended for use by children. Always remove the cover before allowing children to play with the sandpit
3. Before covering your sandpit, place a large object in the centre of the sand to prop up the cover. This will allow water to drain off the cover, and prevent any rain water from "pooling" in the centre of the sand pit. This must be checked regularly.
4. Should any water still accumulate and form a pool, please ensure that this water is removed. Standing water can pose a danger to children.
5. Regularly check sand for impurities and any other sharp objects that may cause harm to children, including at the beginning of the season.
6. Use washed play sand suitable for use in children's sand pits.
7. Regularly change the sand to ensure that there is no build up of mould and to ensure that the play area is hygienic.
8. In windy and adverse weather conditions place the product in a safe area. In these conditions the product may become a hazard.
9. The sandpit should be placed on a level surface at least 2m from any structure or obstruction such as a fence, garage, house, over hanging branches, laundry lines or electrical wires.
10. The sandpit should not be installed over concrete, asphalt or any other hard surface.

## Timber Advice

This product has been made from premium timber. Great care has been taken in selecting, treating and machining the timber before it is presented to you. Timber is a natural product and as such may experience changes throughout the course of its life. This means it may:

- Develop openings (gaps, slits, apertures, cracks, splits) along the line of the grain. These openings are due to the difference in moisture content between the internal and outer surfaces of the timber. This is to be expected, is totally acceptable and will not affect the integral strength, life or guarantee of the product.
- Warp and distort its shape. Any distortion will be slight and will not affect the safety or enjoyment of this product.
- Fade as the timber reacts with sunlight. The timber should be treated with a proprietary product to act as a protective barrier, i.e. a water repellent, on an annual basis.
- After first year of service treat product with a good quality treatment safe for children's use.

Warning! Adult assembly required. Choking hazard. Contains small parts prior to assembly

## Routine Maintenance

It is advised that on a regular basis (i.e. at the beginning of the season and monthly thereafter) all main parts/fixings are checked as secure, well oiled (if metallic), have no sharp points/edges and are intact. Replace, oil and/or tighten when necessary. Failure to do so may result in an injury or hazard. Replace defective parts immediately, for further information contact customer services.

Remember to keep these instructions in a safe place for future reference

For warranty information please refer to our website.

Plum Products Ltd,  
The Cliff, Middle Street  
Ingham, Lincolnshire, LN1 2YQ, UK  
Tel: +44 (0) 344 880 5302,  
Fax: +44 (0) 152 273 0379  
customerservices@plumproducts.com  
www.plumproducts.com  
Copyright Plum Products 2013

Plum Products Australia Pty Ltd,  
303/154-158 Military Road,  
Neutral Bay,  
NSW 2088,  
Australia  
Tel: 02-99605500  
Helpline: 1800 900 161  
Email: aushelpdesk@plumproducts.com

## **WARNINGS!**

Minimum user age 3 years  
Maximum user weight 50kgs  
Not suitable for children under 36 months – small parts  
Adult assembly required  
Adult supervision recommended at all times  
Only for Domestic use  
Outdoor use only  
Keep instructions for future reference

## **AVERTISSEMENT !**

Age minimum de l'utilisateur 3 ans  
Poids maximum de l'utilisateur 50kgs  
Ne convient pas aux enfants de moins de 36 mois - petites pièces  
Nicht für Kinder unter 36 Monaten geeignet – Kleinteile  
Assemblage par un adulte nécessaire  
Ne jamais laisser un enfant jouer sans surveillance  
Usage domestique uniquement  
Destiné à l'usage externe uniquement  
N'oubliez pas de garder ces instructions dans un lieu sûr pour référence ultérieure.

## **ACHTUNG!**

Das Mindestalter für Benutzer beträgt 3 Jahre  
Höchstgewicht des Benutzers 50kgs  
Nicht für Kinder unter 36 Monaten geeignet – Kleinteile  
Montage muss durch einen Erwachsenen erfolgen  
Sollte nur unter unmittelbarer Aufsicht von Erwachsenen benutzt werden  
Nur für den Hausgebrauch  
Nur zur Nutzung im Freien geeignet  
Denken Sie daran, dass Sie diese Anleitung für eine spätere Nutzung sicher aufbewahren

## **ATTENZIONE!**

Età minima dell'utente 3 anni  
Peso massimo dell'utente 50kgs  
Non adatto a bambini al di sotto dei 36 mesi. Contiene pezzi piccoli. Pericolo di soffocamento.  
È necessario l'assemblaggio di un adulto  
Si raccomanda sempre la supervisione di un adulto  
Solo per uso domestico  
Solo per uso esterno  
Ricordarsi di conservare le presenti istruzioni in un luogo sicuro per consultazione futura

## **WAARSCHUWING!**

Minimum leeftijd van gebruiker: 3 jaar  
Maximum gewicht van gebruiker 50kgs  
Niet geschikt voor kinderen jonger dan 36 maanden – kleine onderdelen, verstikkingsgevaar  
Montage door een volwassene vereist  
Toezicht van een volwassene te allen tijde aanbevolen  
Alleen voor gebruik binnenshuis  
Alleen voor gebruik buiten  
Bewaar deze instructies op een veilige plaats zodat u ze later kunt raadplegen

## AVERTENCIA

Edad mínima del usuario 3 años

Peso máximo del usuario: 50kgs

No es conveniente para niños menores de 36 meses, ya que posee partes pequeñas

El montaje de este juguete debe llevarlo a cabo un adulto

Se recomienda en todo momento la supervisión de un adulto

Utilícese exclusivamente en el ámbito doméstico

Utilícese exclusivamente al aire libre

Recuerde conservar estas instrucciones en un lugar seguro para poderlas consultar en el futuro

## VAROVÁNÍ!

Minimální věk uživatele je 3 let

Maximální hmotnost uživatele 50kgs

Není vhodné pro děti mladší 36 měsíců – drobné součásti

Vyžaduje se montáž dospělou osobou

Doporučuje se po celou dobu dozor dospělé osoby

Pouze pro domácí použití

Pouze pro venkovní použití

Nezapomeňte si uschovat tyto pokyny na bezpečném místě pro potřeby budoucích odkazů

## UPOZORNENIE

Minimálny vek používateľa je 3 rokov

Maximálna hmotnosť používateľa 50kgs

Nevhodné pre deti mladšie ako 36 mesiacov - malé častice

Vyžaduje sa montáž dospelou osobou

Dozor dospelšej osoby sa odporúča po celú dobu

Iba pre domáce použitie

Iba pre vonkajšie použitie

Nezabudnite si uschovať tieto pokyny na bezpečnom mieste pre budúce použitie

تحذير!

الحد الأدنى لعمر المستخدم

الحد الأقصى لوزن المستخدم 50kgs

لا يصلح لاستخدام للأطفال دون 36 شهر - قطع صغيرة،

يتطلب لتجميع أجزاء الجهاز شخص بالغ

ينصح بضرورة وجود إشراف دائم من كبار السن عند استخدام الجهاز.

للاستخدام الداخلي فقط

للاستخدام في الهواء الطلق فقط

## OSTRZEŻENIE!

Minimalny wiek użytkownika: 3 lat

Maksymalna waga użytkownika 50kgs

Nie nadaje się dla dzieci w wieku poniżej 36 miesięcy – małe elementy

Wymaga montażu przez osobę dorosłą

Zalecany jest stały nadzór osoby dorosłej

Tylko do użytku domowego

Tylko do stosowania na dworze

Pamiętaj, żeby niniejsze instrukcje zachować w bezpiecznym miejscu na przyszłość

## **ADVARSEL!**

Minimum brugeralder 3 år  
Maksimum brugervægt 50kgs  
Ikke egnet til børn under 36 måneder - små dele, fare for kvælning  
Skal samles af en voksen  
Bør altid anvendes under opsyn af en voksen  
Kun til hjemmebrug  
Kun til udendørs brug  
Husk at gemme disse vejledninger på et sikkert sted for fremtidig brug.

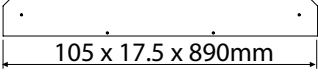
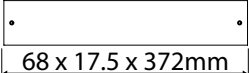
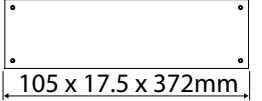
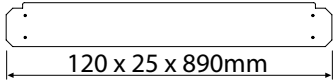
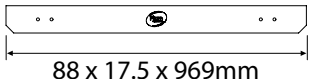
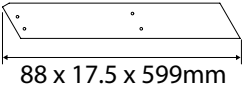
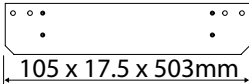
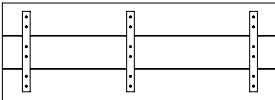
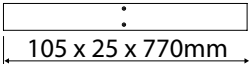
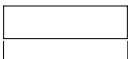

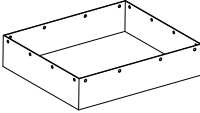
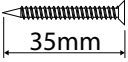
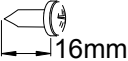
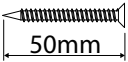

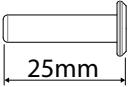

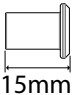
## **UYARI!**

Minimum kullanıcı yaşı 3 yıl  
Maksimum kullanıcı ağırlığı 50kgs  
36 aylıktan küçük çocuklar için uygun değildir – küçük parçalar  
Bir yetişkin tarafından monte etmesi gerekir  
Her zaman yetişkin gözetimi önerilir  
Yalnızca ev kullanımı için  
Yalnızca dış mekan kullanımı  
İleride bakabilmek için bu açıklamaları güvenli bir yerde saklamayı unutmayın

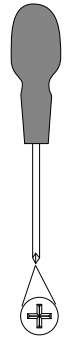
## **FIGYELMEZTETÉS!**

Minimális felhasználók kora 3 év  
Max. terhelhetőség 50kgs  
Nem alkalmas 36 hónapnál fiatalabb gyerekek számára - apró részek  
Felnőtt összeszerelése szükséges  
Minden alkalommal egy felnőtt felügyelete mellett ajánlott  
Csak otthoni használatra  
Kültéri használatra  
Ne feledje, hogy ezeket az utasításokat biztonságos helyen tartsa későbbi használat esetére

# PARTS LIST

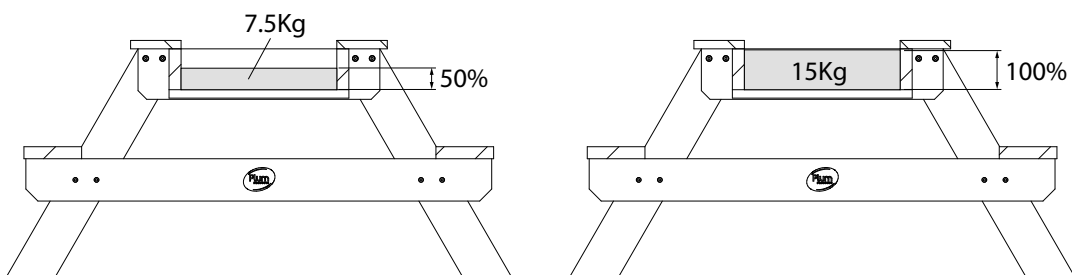
PART ID	DIMENSIONS WITH GRAPHIC		QUANTITY
D1530		105 x 17.5 x 890mm	2
D1531		68 x 17.5 x 372mm	2
D1532		105 x 17.5 x 372mm	6
D1533		120 x 25 x 890mm	2
D1534		88 x 17.5 x 969mm	2
D1535		88 x 17.5 x 599mm	4
D1536		105 x 17.5 x 503mm	2
D1539			1
D1568		105 x 25 x 770mm	2
D1569		85 x 17.5 x 322mm	1
D1570			1
D1572			1
M4x35mm		35mm	40
M5 x 16 (PAN HEAD)		16mm	16
M4x50mm		50mm	16
WASHER			16
SH:M6x25mm		25mm	16
ALLEN KEY			2
SH: M6x15mm		15mm	16

**TOOLS  
REQUIRED:**

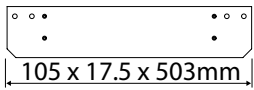


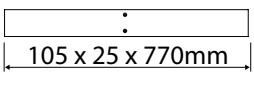
**POZI  
(PZ2)**

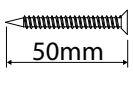
Sand not included:

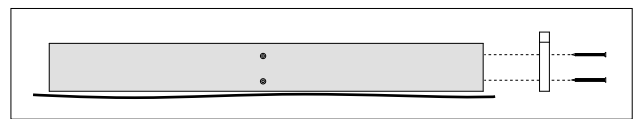
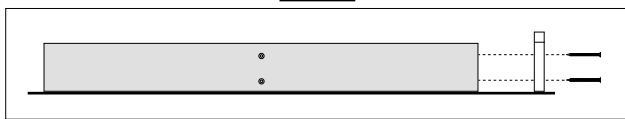
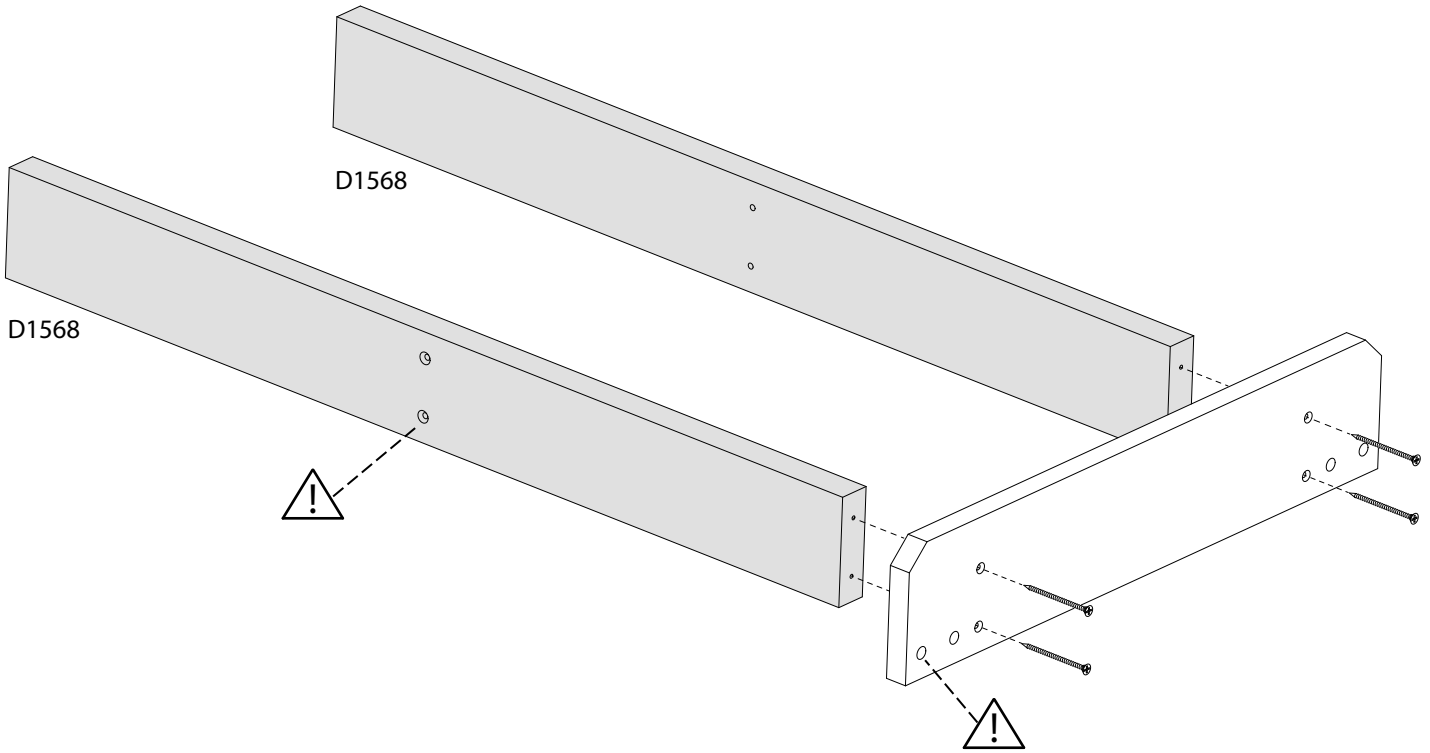


1

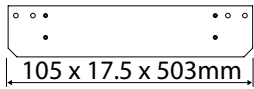
D1536  x1  
105 x 17.5 x 503mm

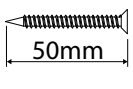
D1568  x2  
105 x 25 x 770mm

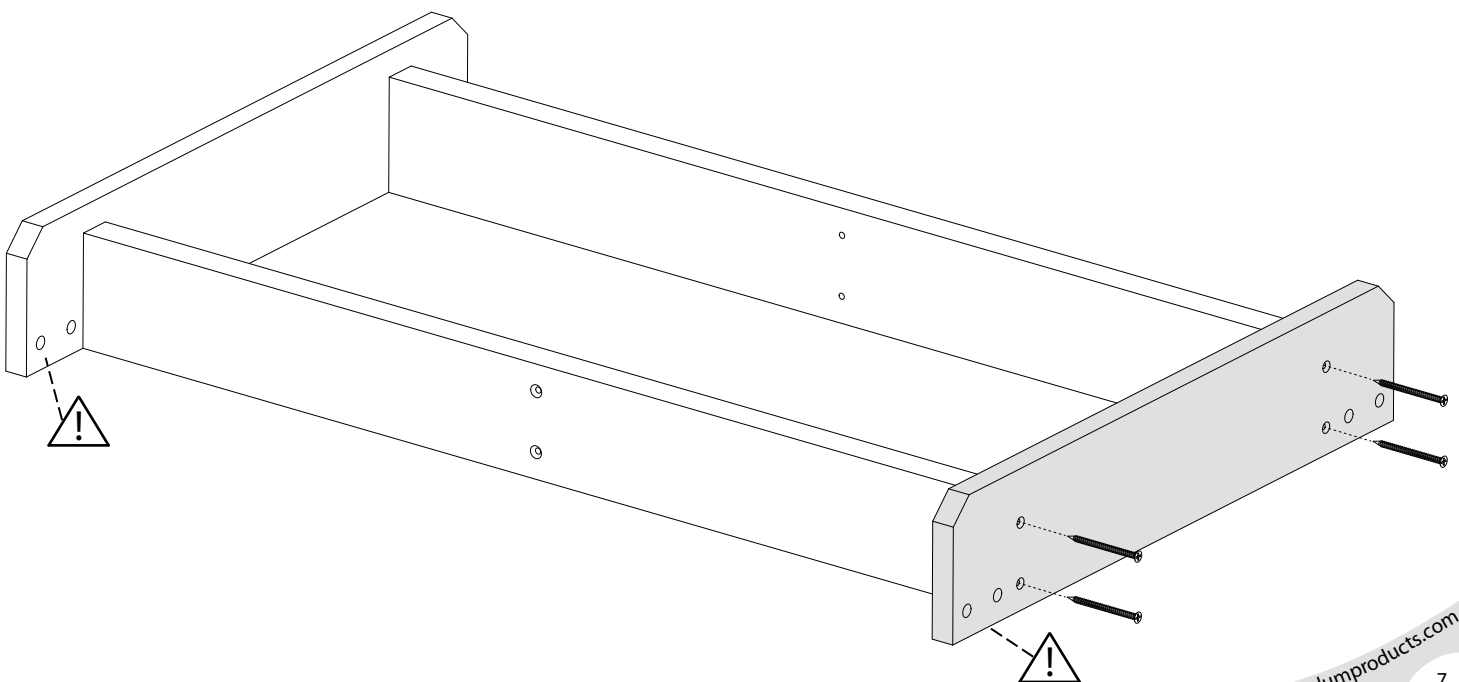
M4x50mm  x4  
50mm



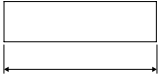
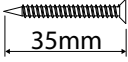
2

D1536  x1  
105 x 17.5 x 503mm

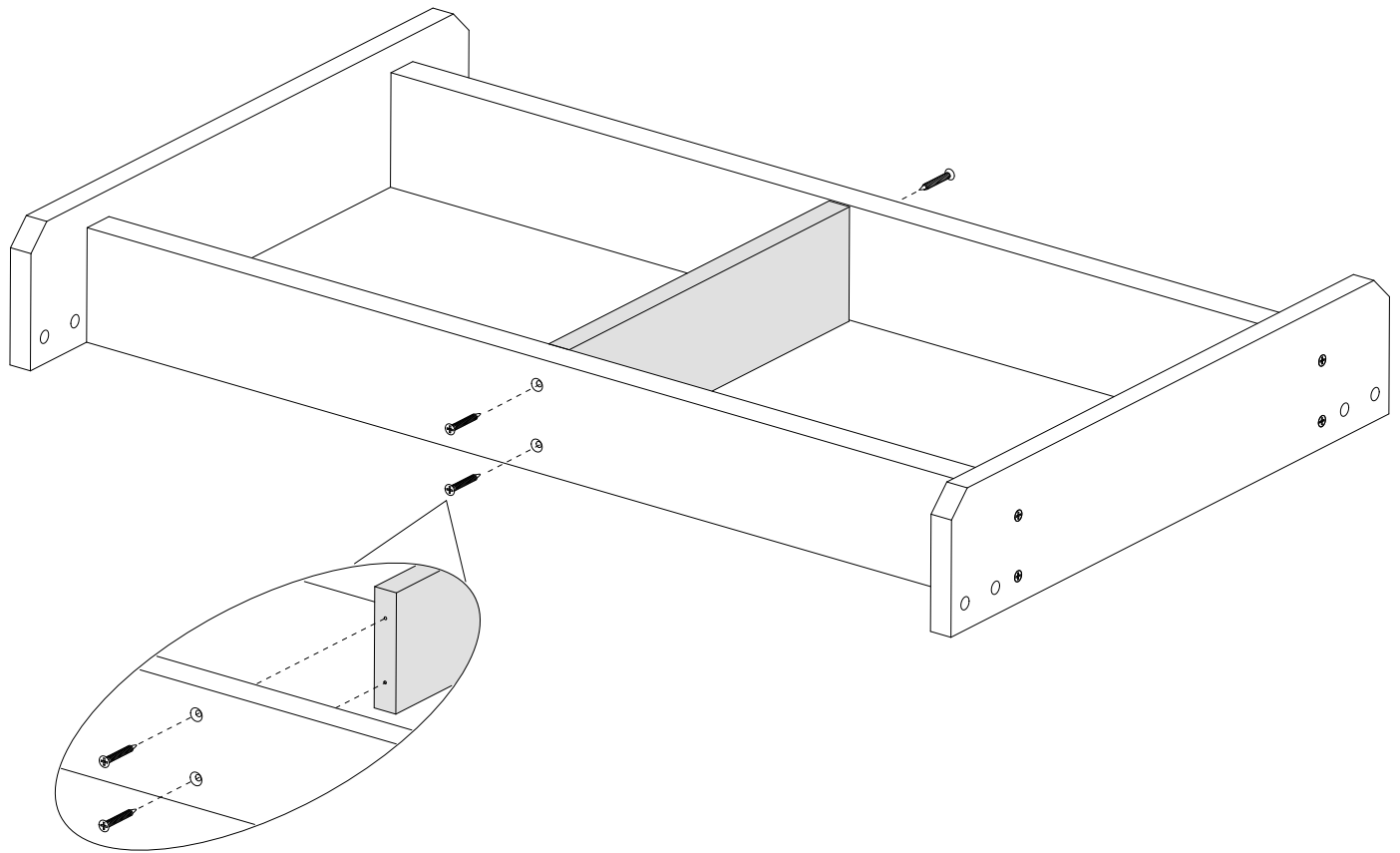
M4x50mm  x4  
50mm



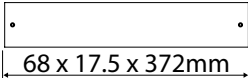
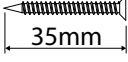
3

D1569  x1 M4x35mm  x4

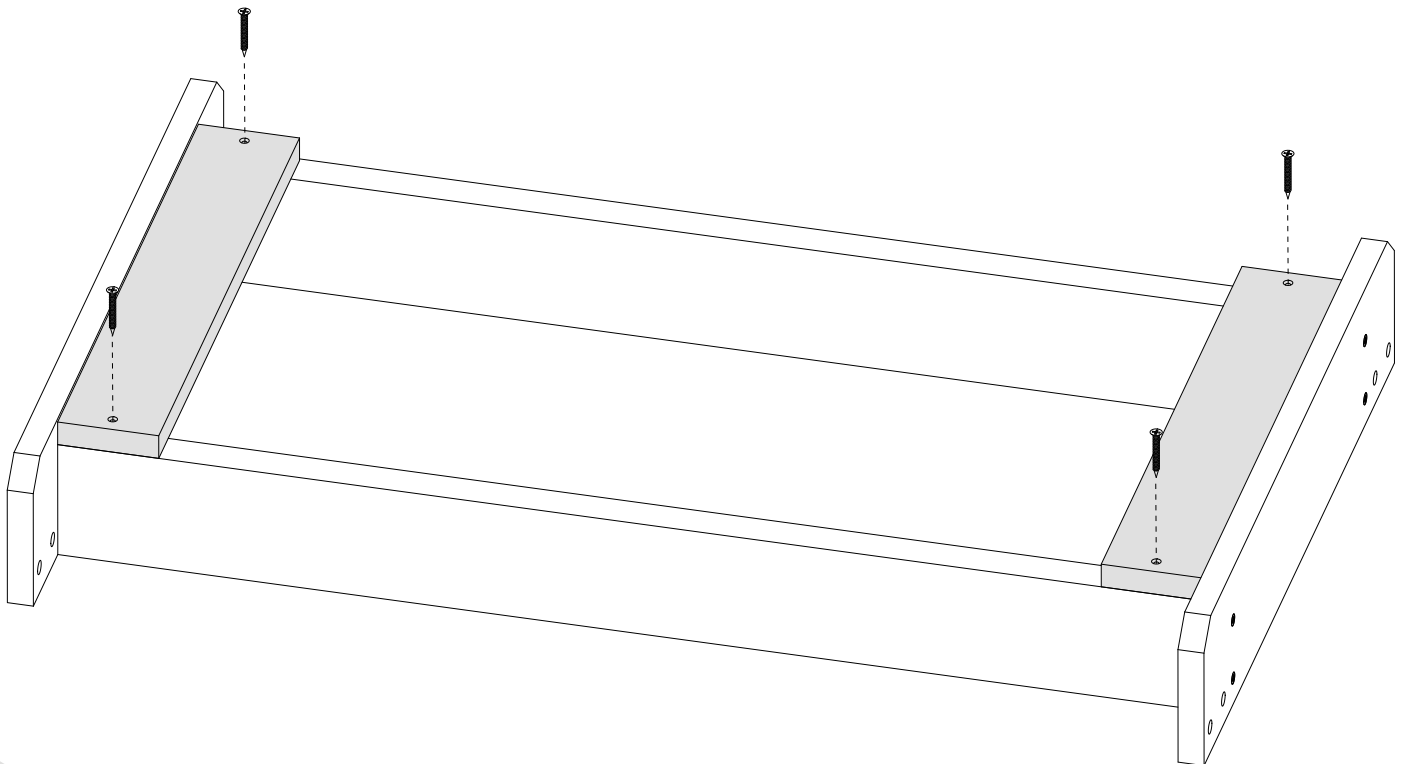
85 x 17.5 x 322mm



4

D1531  x2 M4x35mm  x4

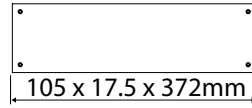
68 x 17.5 x 372mm





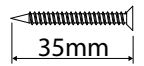
5

D1532

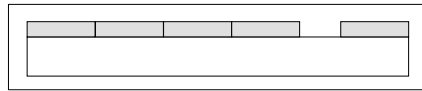
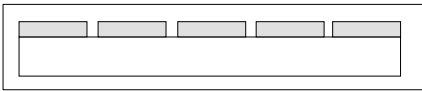
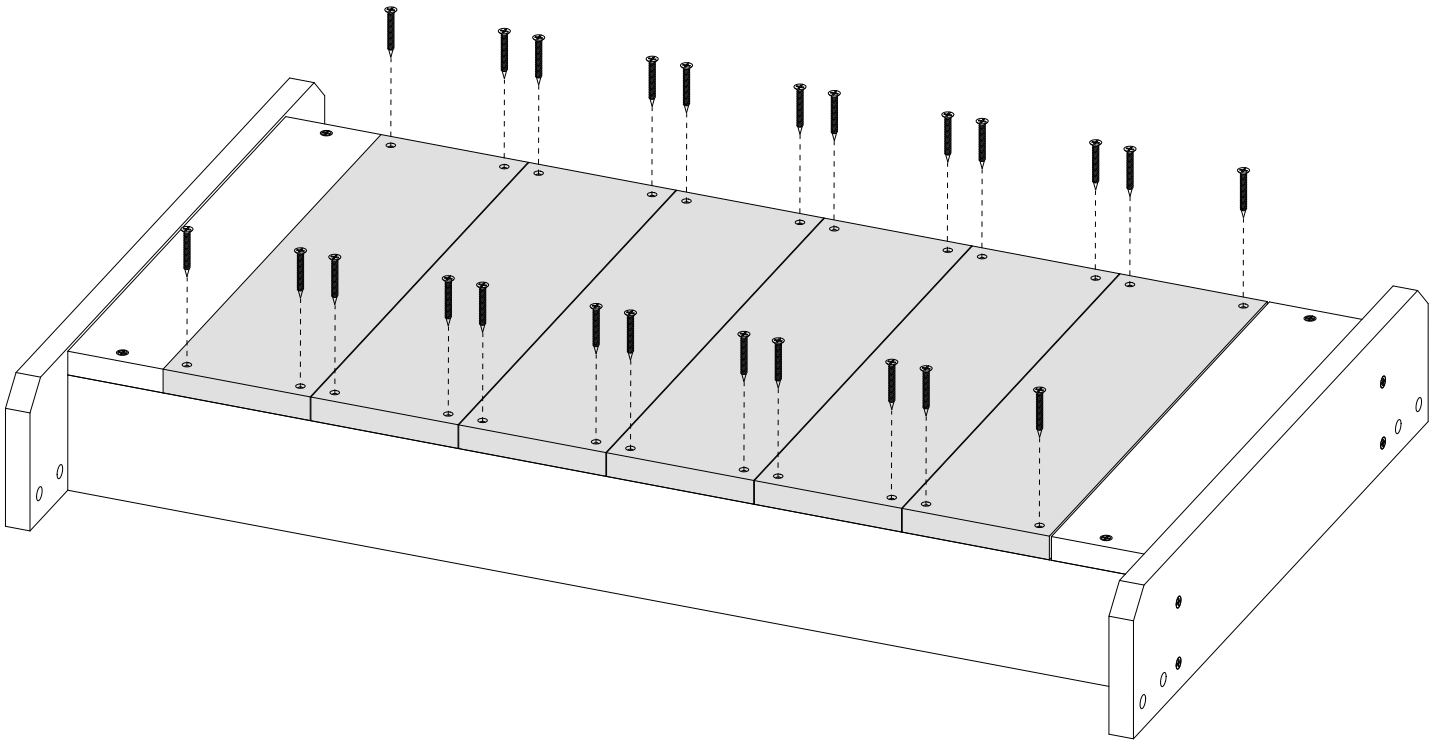


x6

M4x35mm

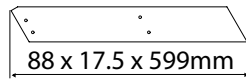


x24



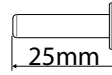
6

D1535



x2

SH:M6x25mm

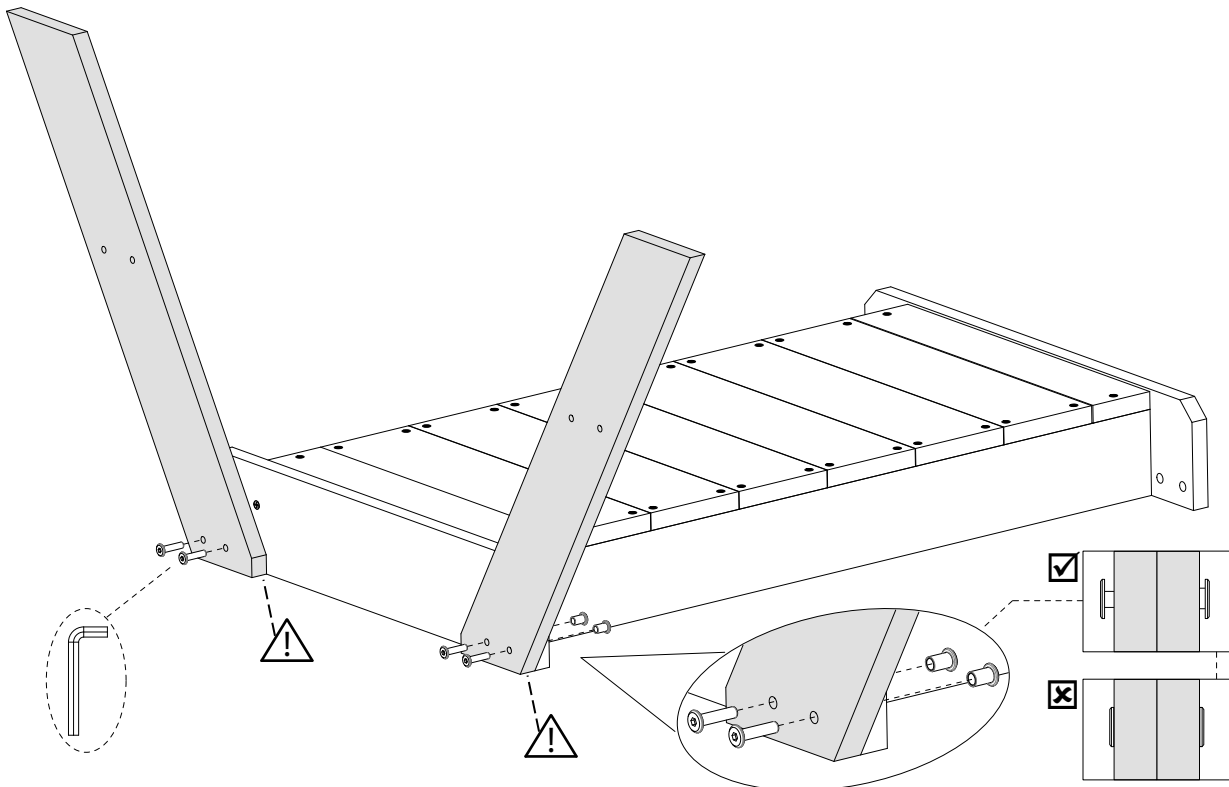


x4

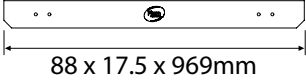
SH:M6x15mm

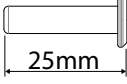


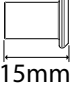
x4

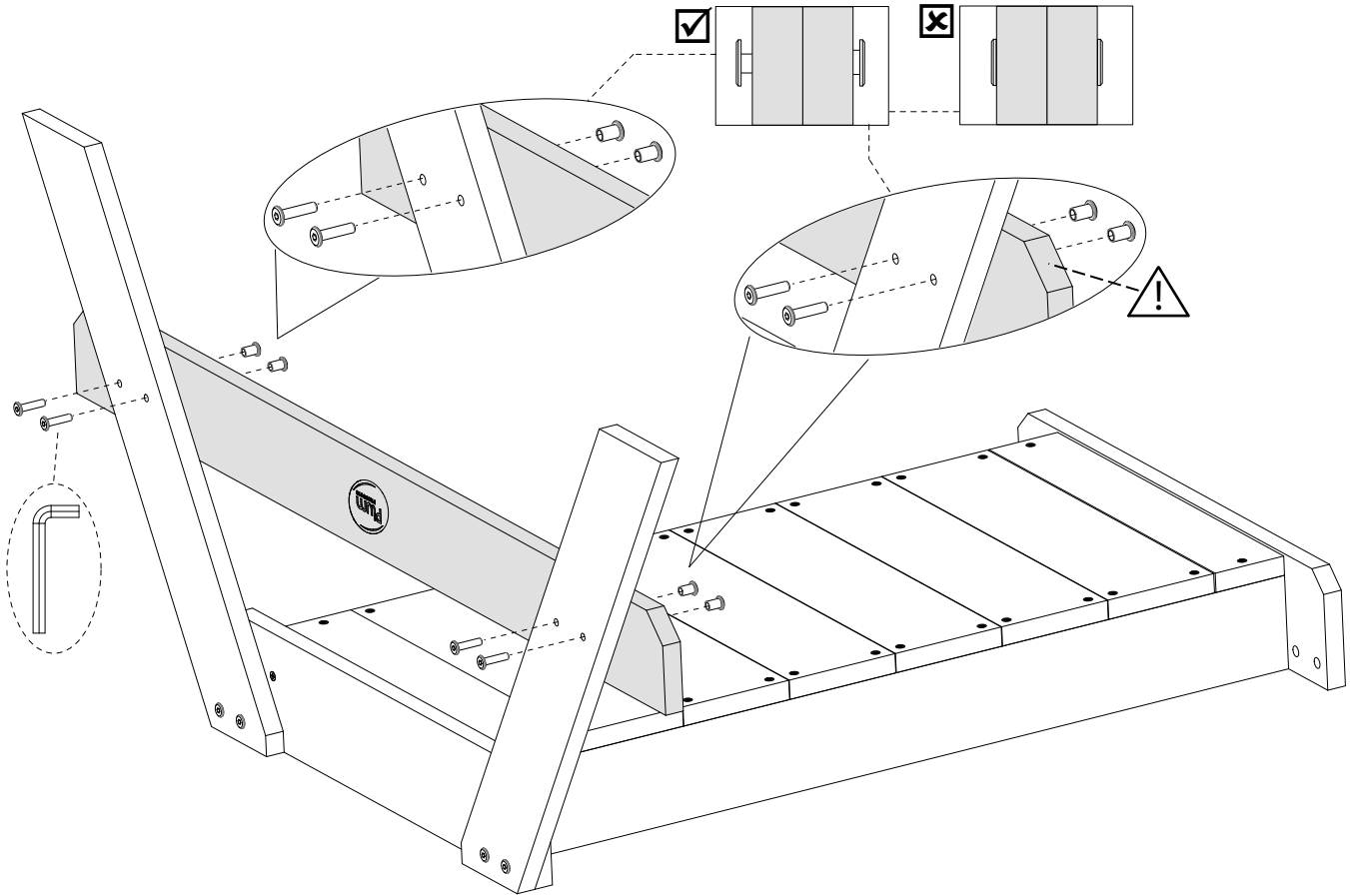


7

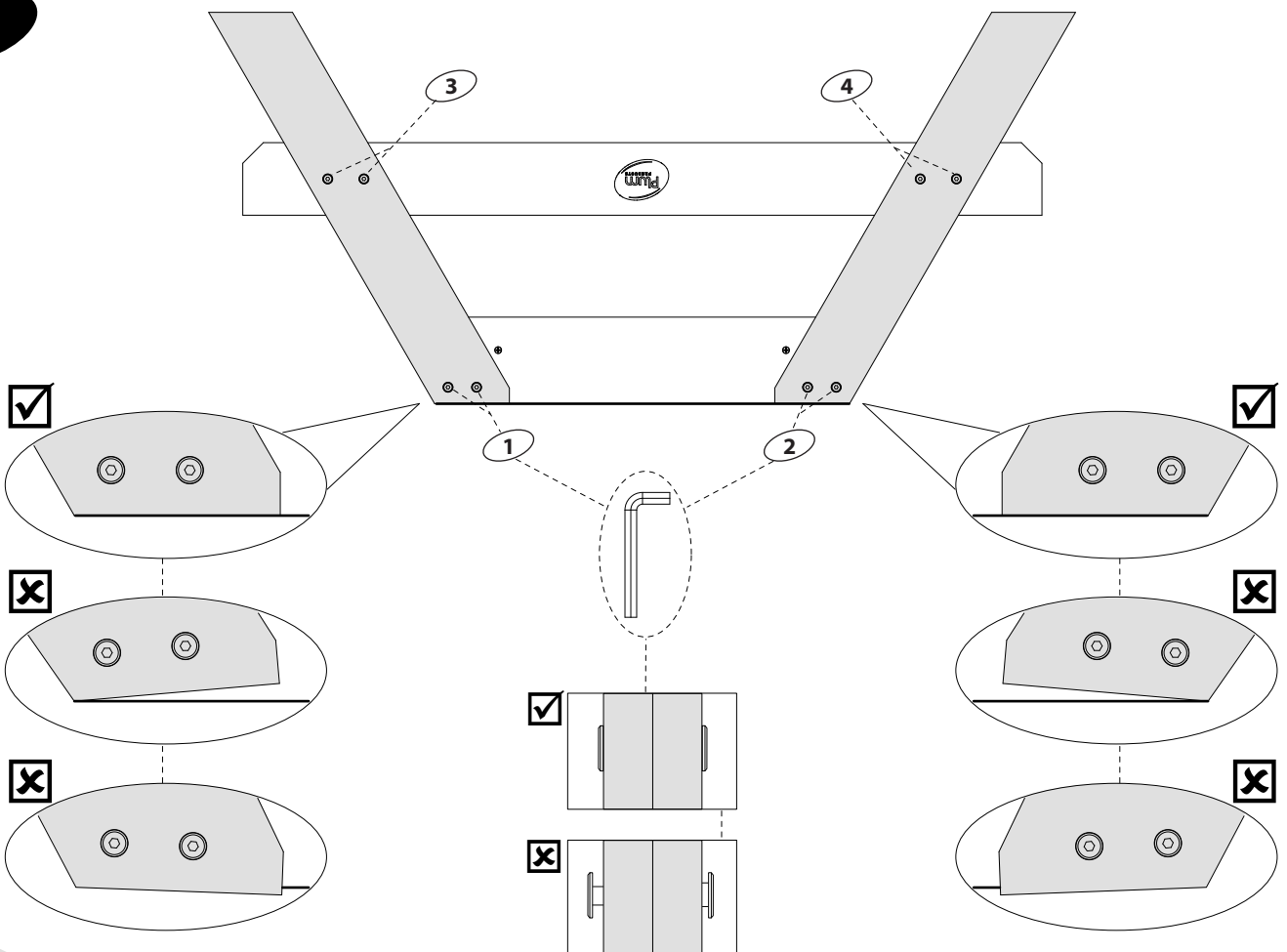
D1534  x1  
88 x 17.5 x 969mm

SH:M6x25mm  x4

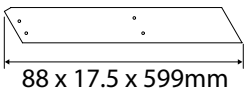
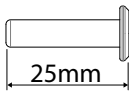
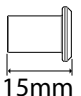
SH:M6x15mm  x4

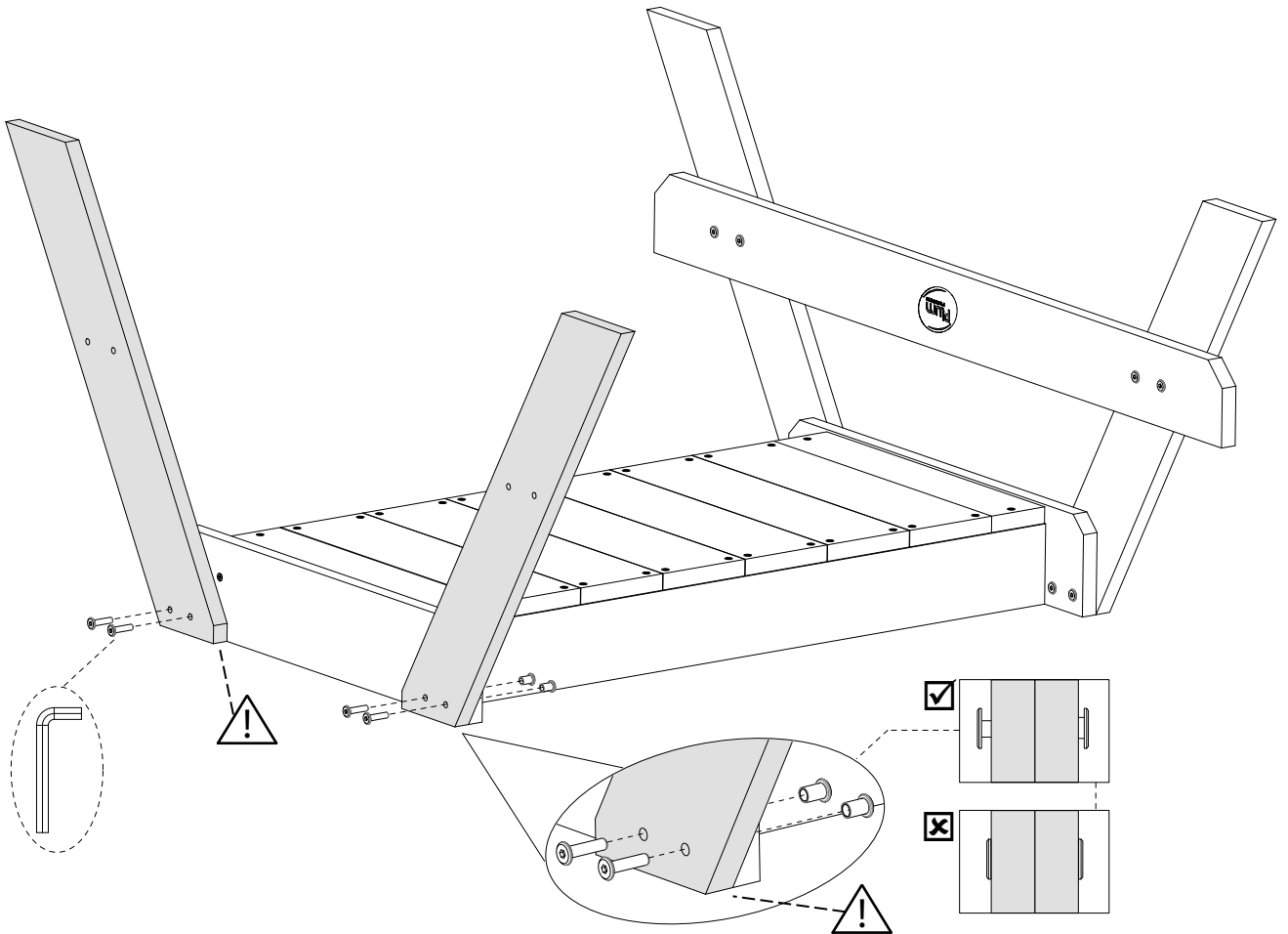


8

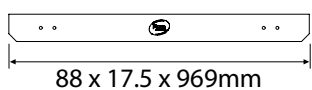
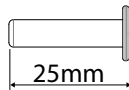
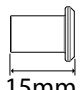


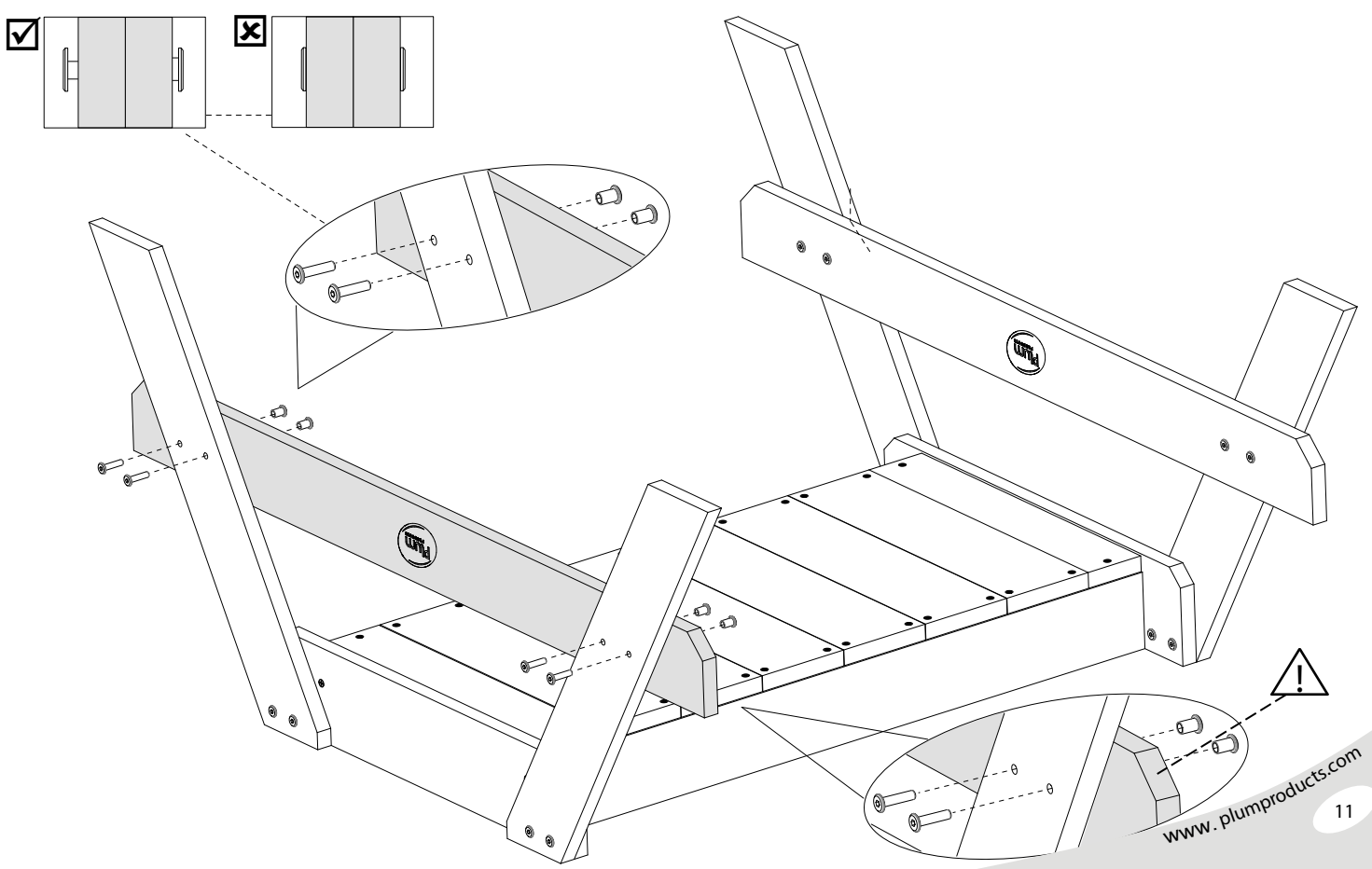
9

D1535  x2 SH:M6x25mm  x4 SH:M6x15mm  x4

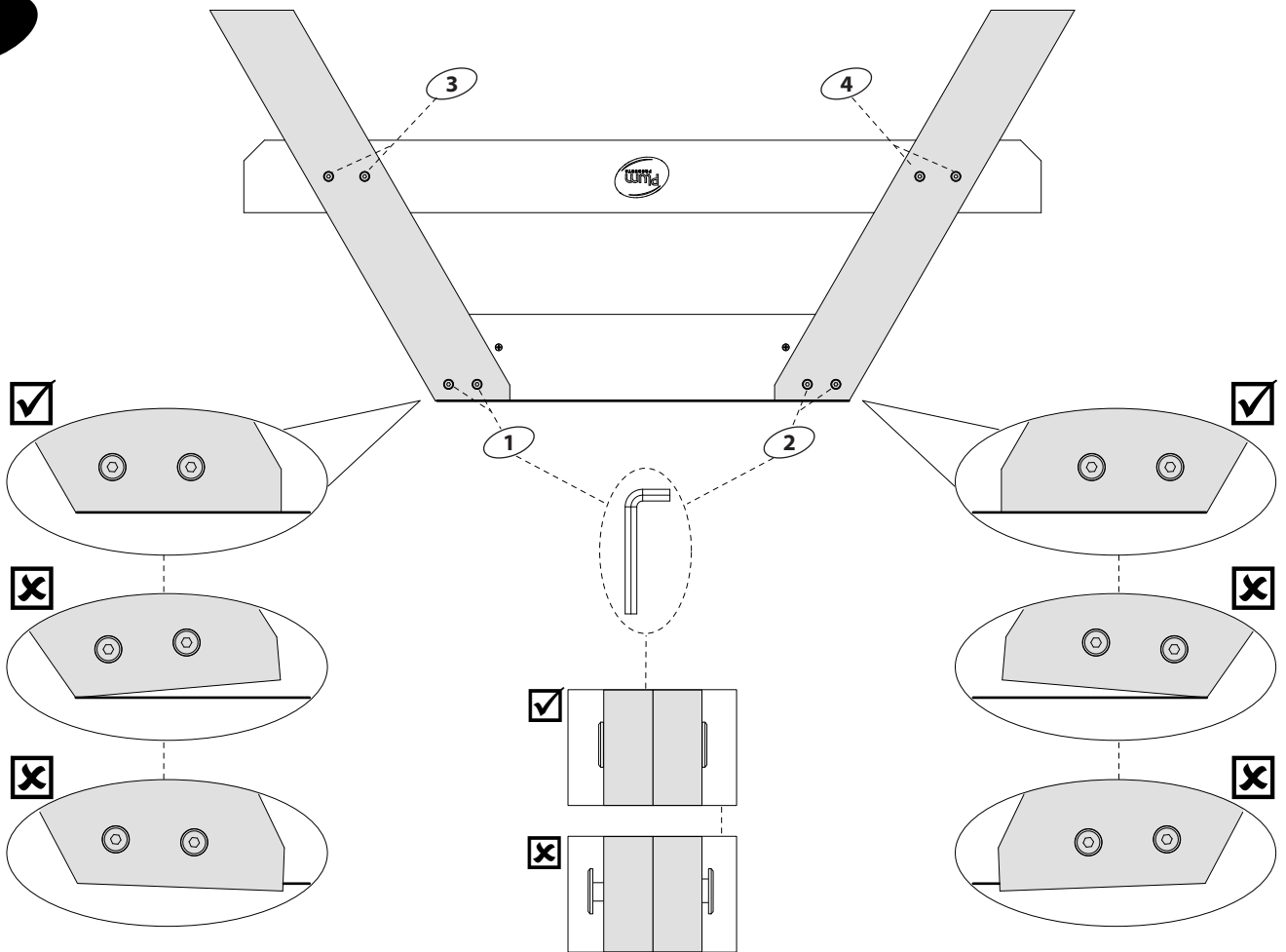


10

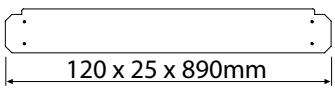
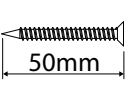
D1534  x1 SH:M6x25mm  x4 SH:M6x15mm  x4

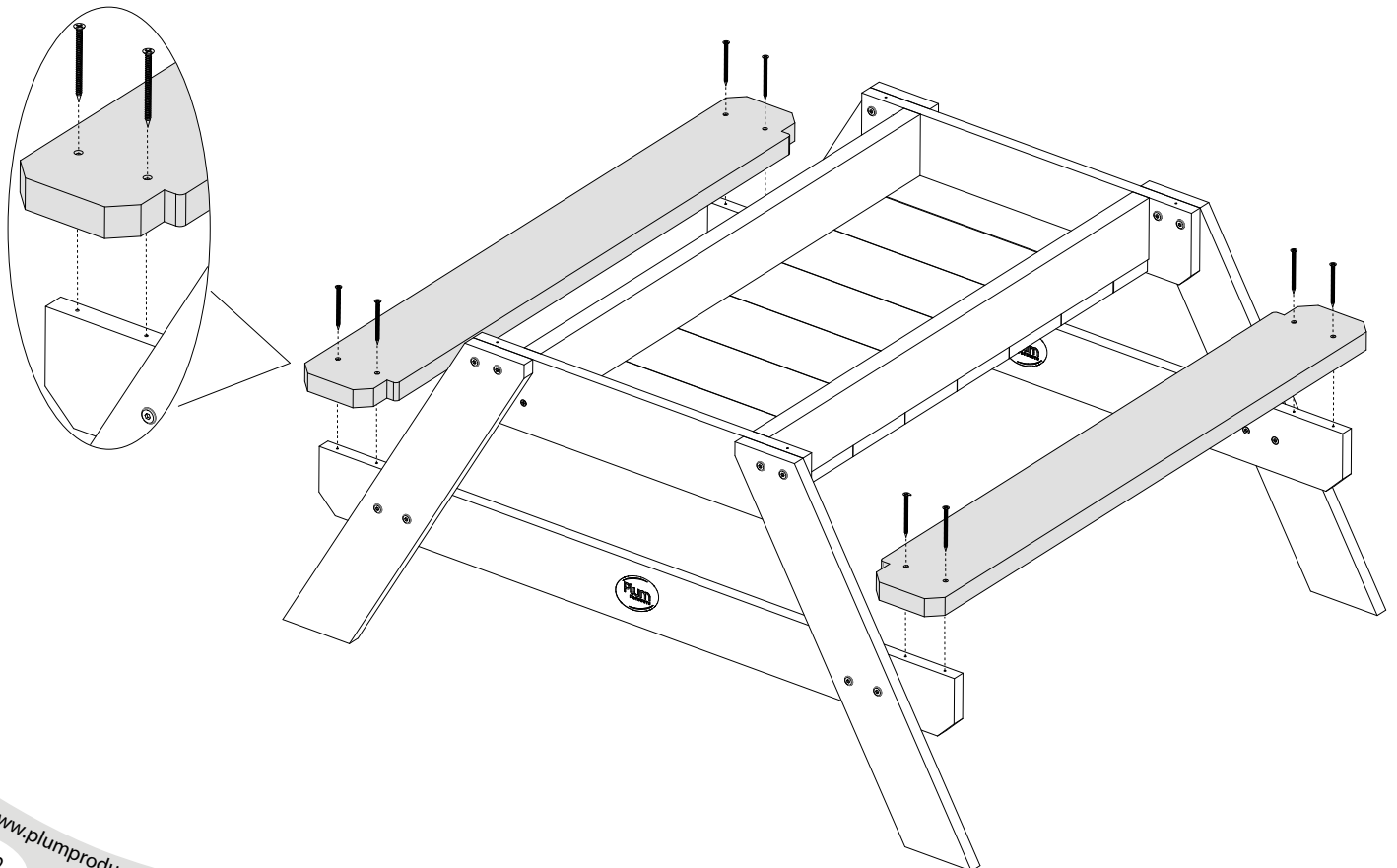


# 11



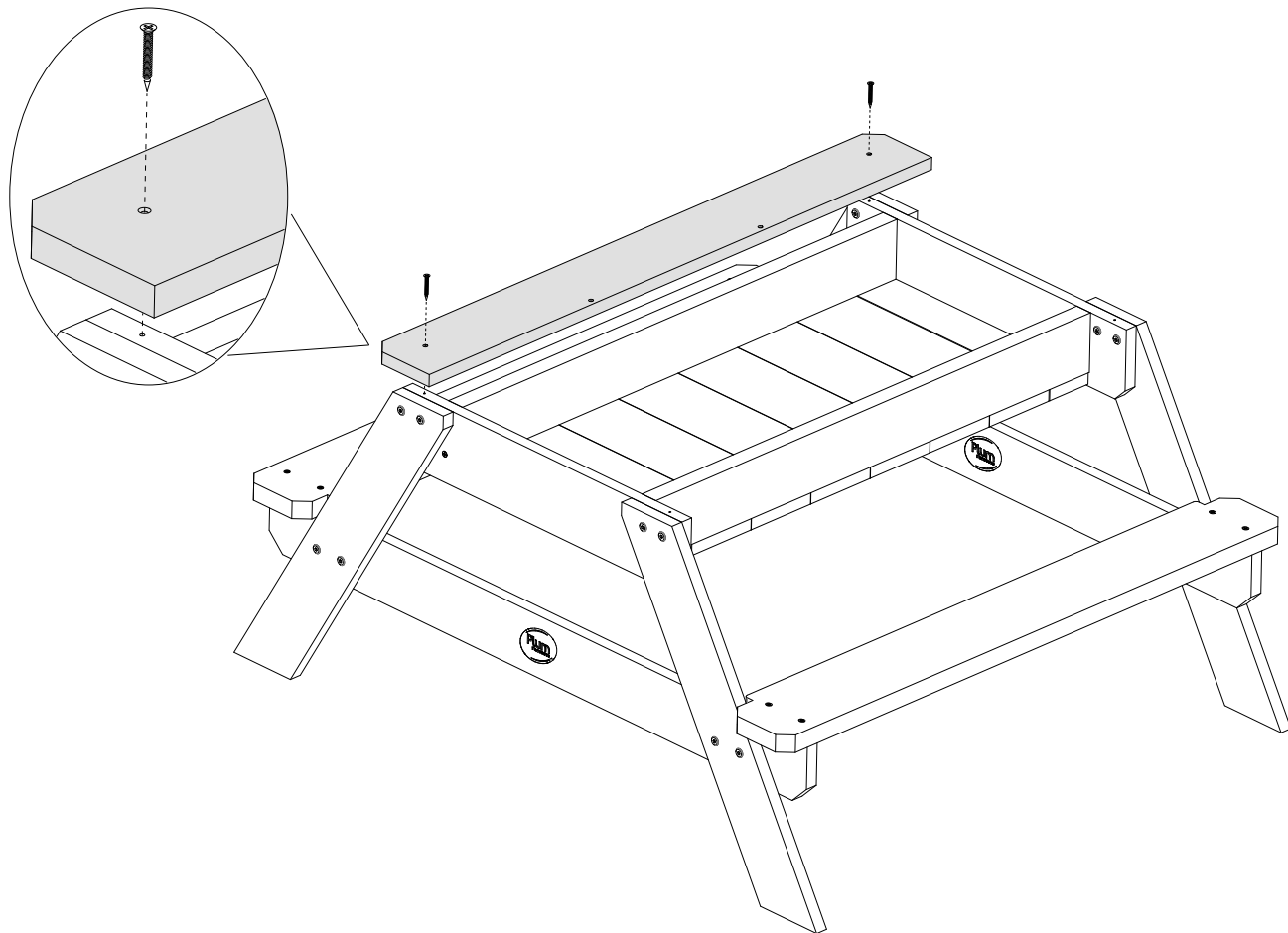
# 12

D1533  x2 M4x50mm  x8  
120 x 25 x 890mm 50mm



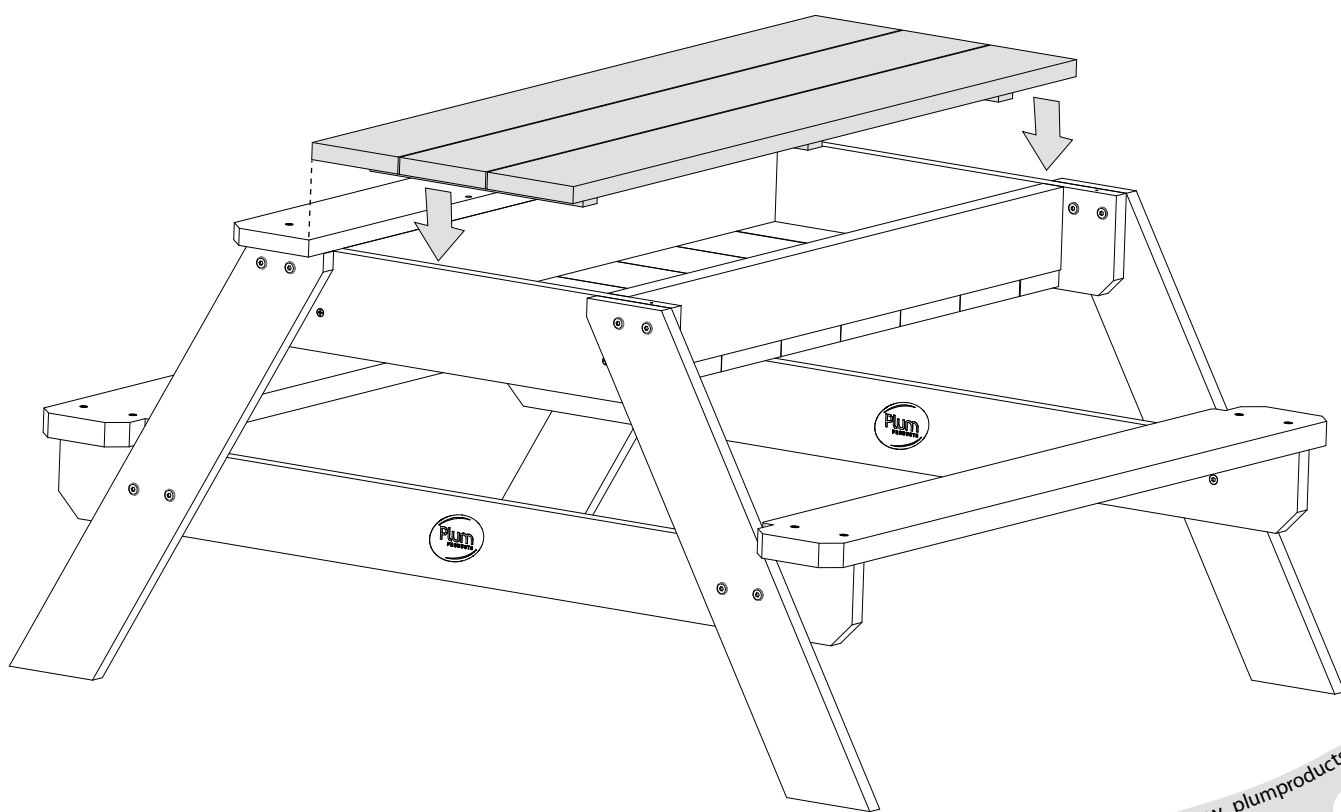
13

D1530 x1 | 105 x 17.5 x 890mm | M4x35mm x2 | 35mm

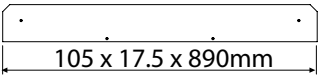


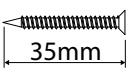
14

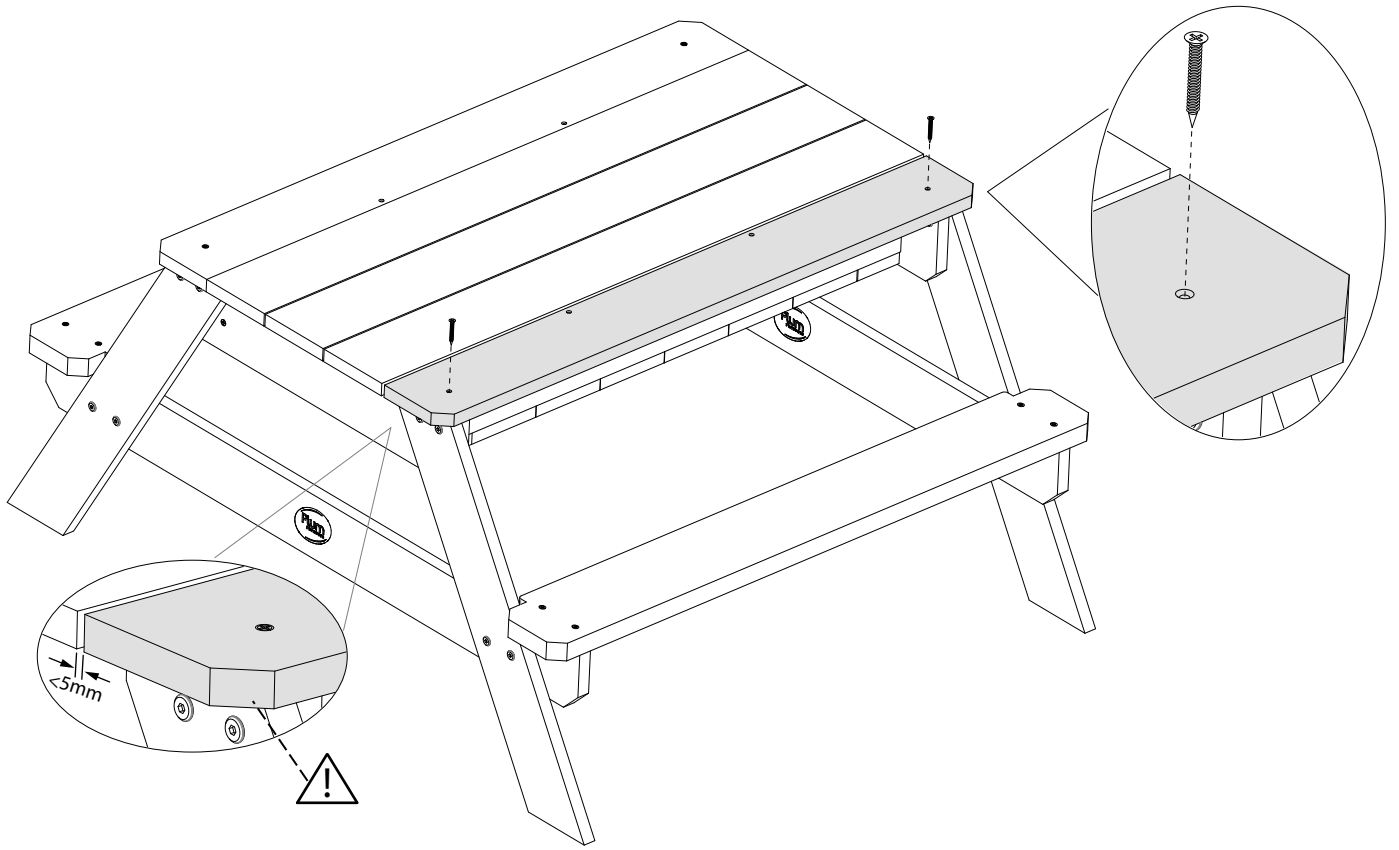
D1539 x1



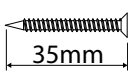
15

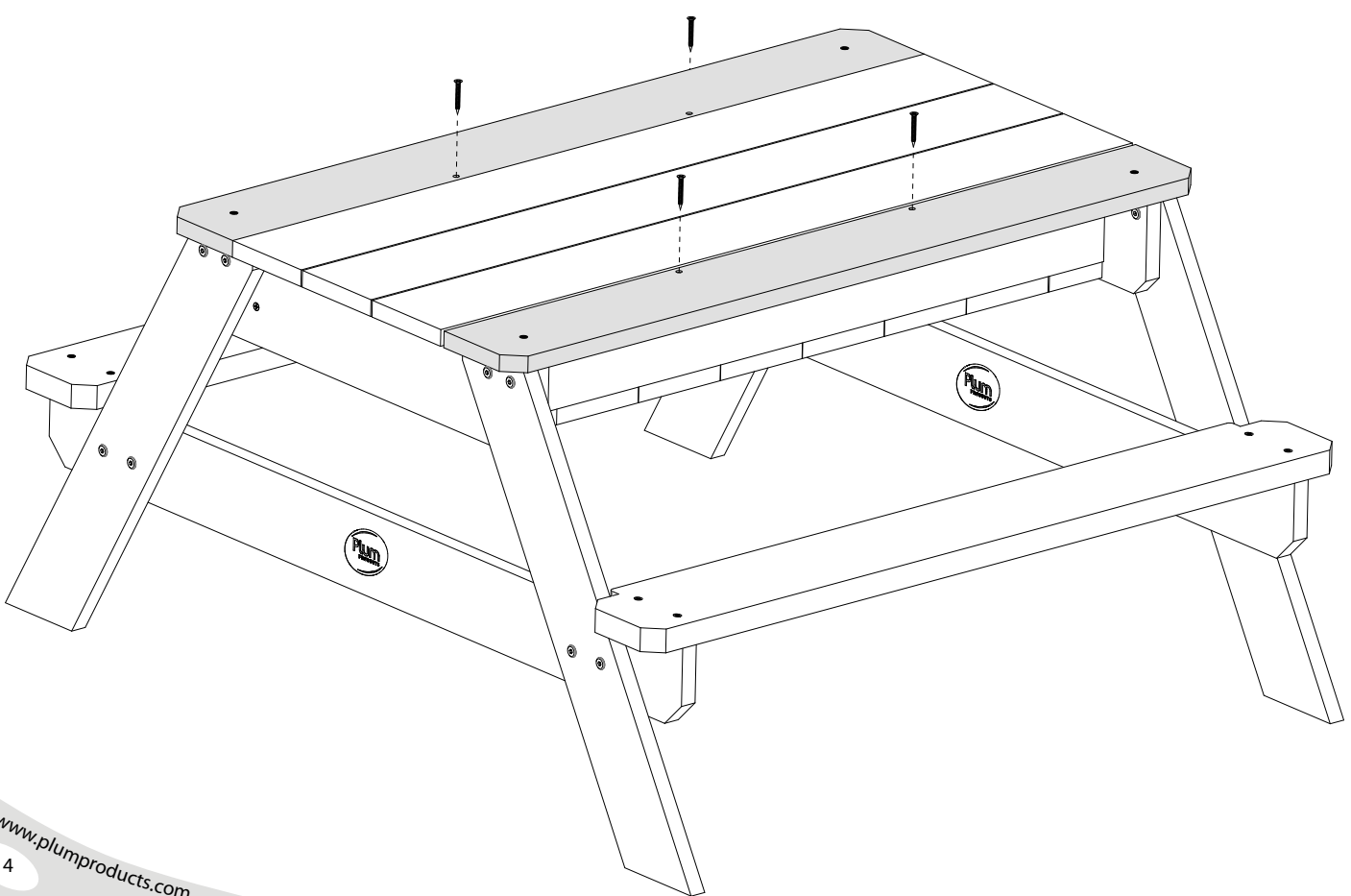
D1530  x1

M4x35mm  x2


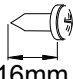
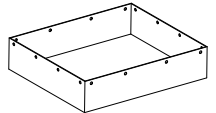


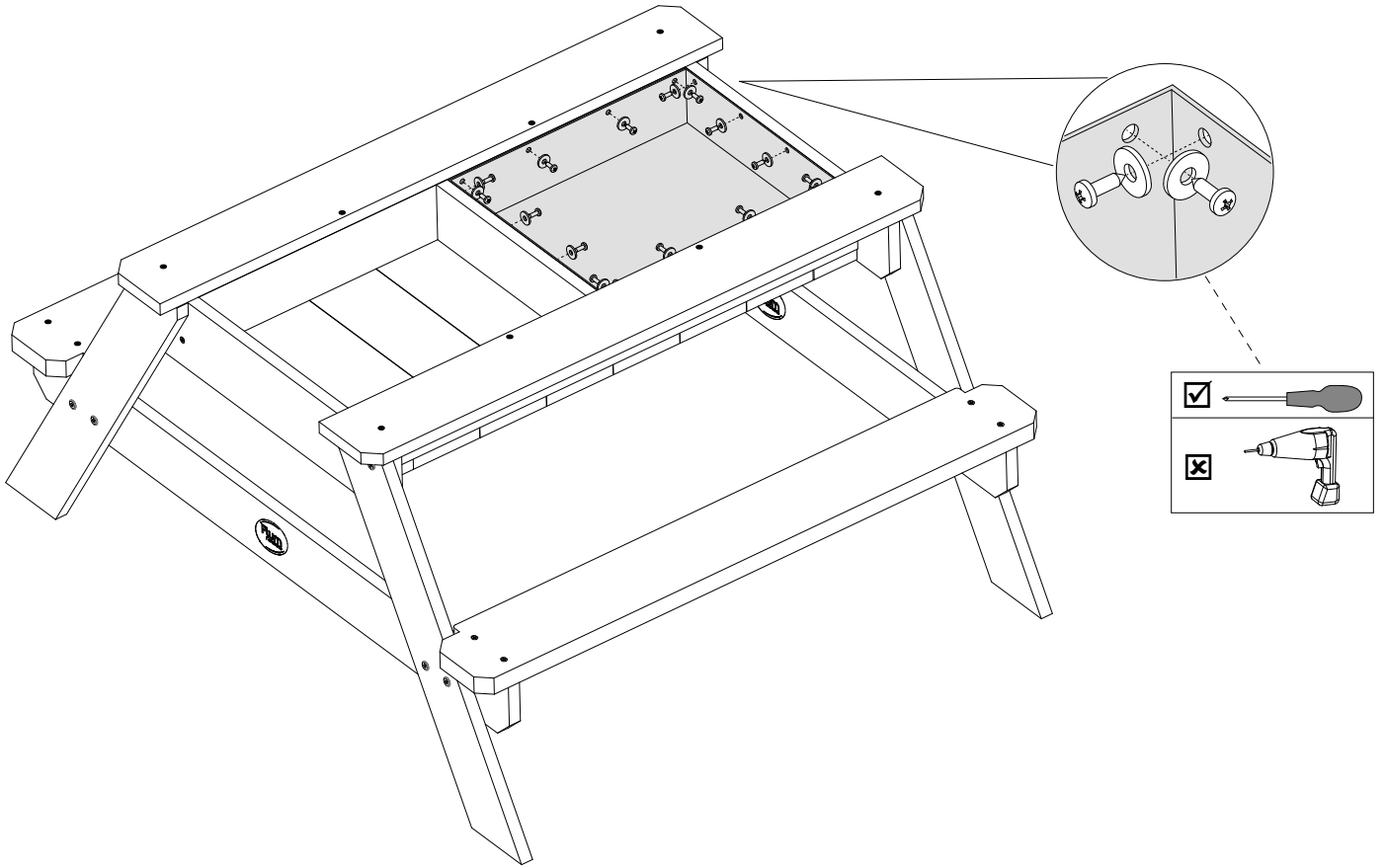
16

M4x35mm  x4



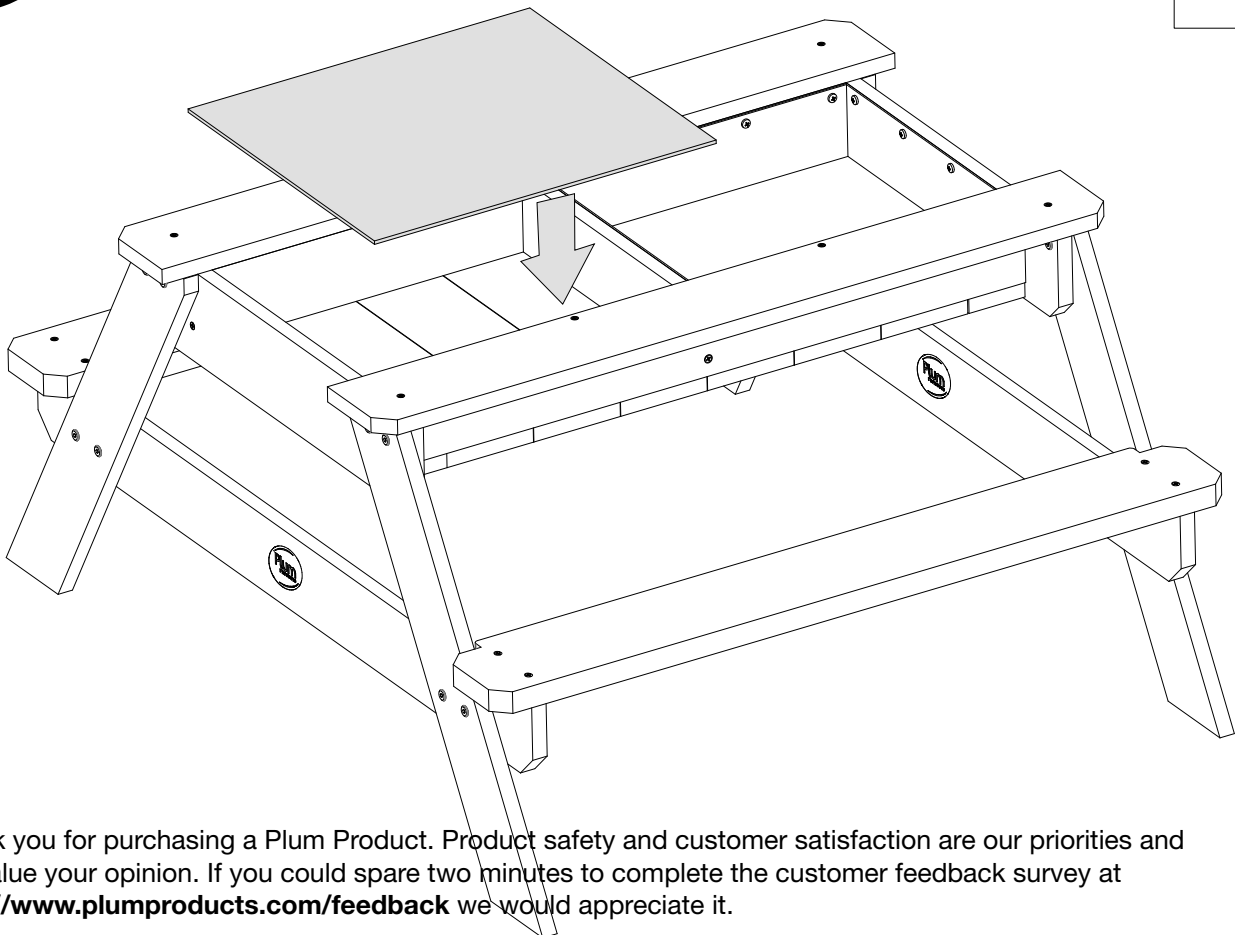
17

WASHER  x16 M5 x 16 (PAN HEAD)  x16 D1572  x1



18

D1570  x1



Thank you for purchasing a Plum Product. Product safety and customer satisfaction are our priorities and we value your opinion. If you could spare two minutes to complete the customer feedback survey at <http://www.plumproducts.com/feedback> we would appreciate it.